



US00D475816S

(12) **United States Design Patent**
Adamson

(10) **Patent No.:** **US D475,816 S**

(45) **Date of Patent:** **** Jun. 10, 2003**

(54) **CURVED BONE SHAPED PET PRODUCT**

(75) **Inventor:** **Joel S. Adamson**, Carter Lake, IA (US)

(73) **Assignee:** **Sergeant's Pet Products, Inc.**, Omaha, NE (US)

(**) **Term:** **14 Years**

(21) **Appl. No.:** **29/163,974**

(22) **Filed:** **Jul. 16, 2002**

(51) **LOC (7) Cl.** **30-99**

(52) **U.S. Cl.** **D30/160; D1/106**

(58) **Field of Search** **D30/158, 160; D1/100-101, 106, 126-127, 199; D21/662, 684; D24/211-212, 101-102; 424/467, 442; 119/702, 707-711; 426/104, 138**

(56) **References Cited**

U.S. PATENT DOCUMENTS

982,711 A *	1/1911	Ellis	426/104
D202,332 S *	9/1965	Fisher	D30/160
4,096,238 A *	6/1978	Zaffaroni et al.	424/467
D262,490 S *	12/1981	Hewitt	D24/211
D272,009 S *	1/1984	Zonnenberg	D1/199
4,513,014 A *	4/1985	Edwards	119/710
4,771,733 A *	9/1988	Axelrod	119/710
4,831,676 A *	5/1989	Denmark	601/139
D327,962 S *	7/1992	O'Rourke	D30/160
5,339,771 A *	8/1994	Axelrod	119/710
D358,007 S *	5/1995	Axelrod	D30/160
D383,782 S *	9/1997	Decker	D30/160
D402,435 S *	12/1998	Correll	D1/106

5,912,285 A *	6/1999	Godsey	119/707
D416,373 S *	11/1999	Doyle et al.	D1/199
D422,761 S *	4/2000	Zalevsky	D30/160
D428,136 S *	7/2000	Cady et al.	D24/101
6,427,634 B1 *	8/2002	Mann	119/709

OTHER PUBLICATIONS

Better Homes & Gardens magazine; Mar. 1989; p. 168; Purina advertisement Cheese Dawgs dog snacks.*
 Doctors Foster & Smith catalog; Jan. 2001; p. 96; Ianet Kong Toys #AE-4963 Space Bone dog toy.*
 Better Homes & Gardens magazine; Feb. 1981; Carnation Company advertisement for dog food.*
 The Sunday Star Magazine; Dec. 1955; General Foods Corp. advertisement for Gaines Dog Biscuits.*

* cited by examiner

Primary Examiner—Cathy Anne MacCormac
 (74) *Attorney, Agent, or Firm*—Polsinelli Shalton & Welte, P.C.

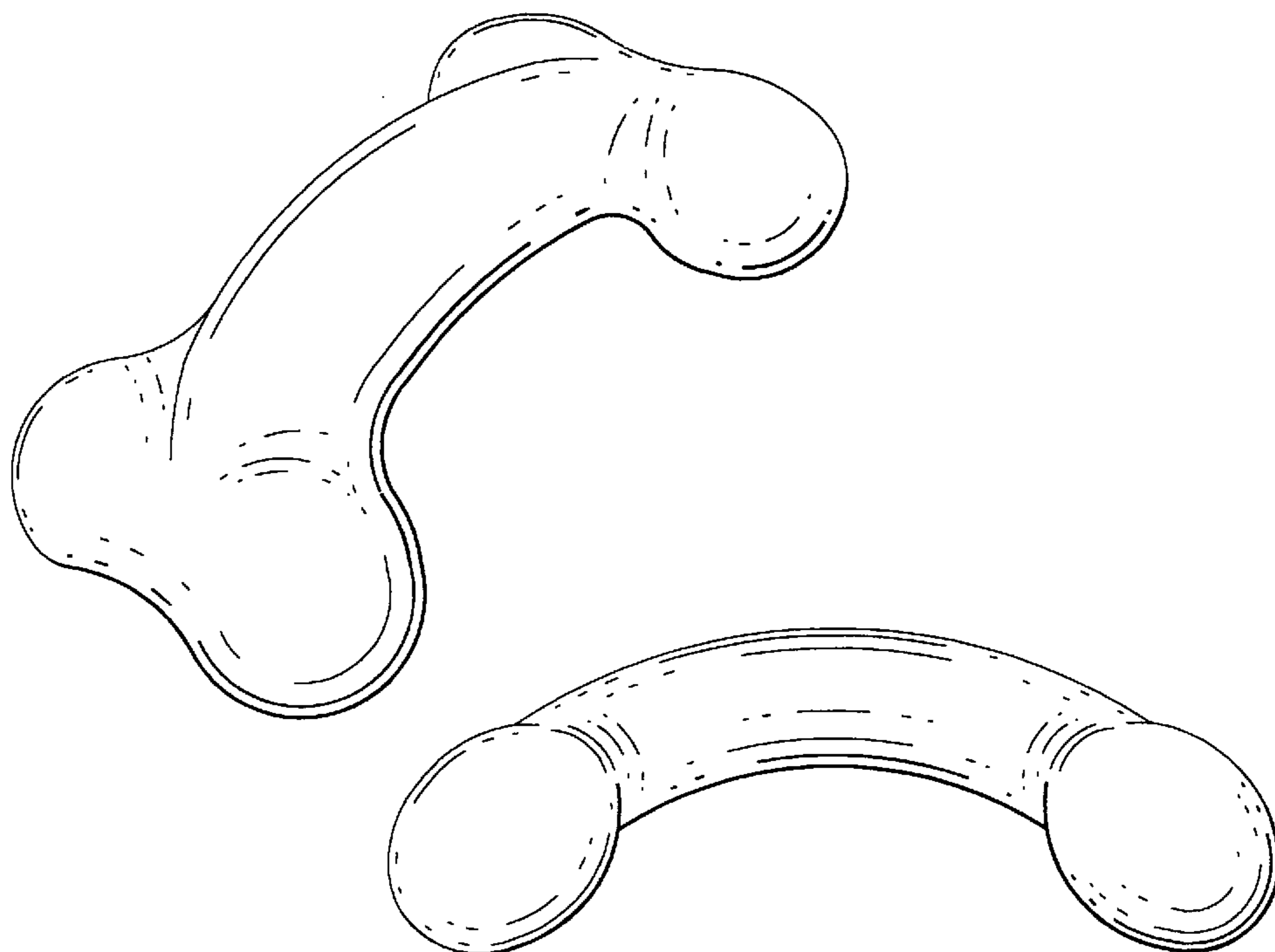
(57) **CLAIM**

The ornamental design for a curved bone shaped pet product, as shown and described.

DESCRIPTION

FIG. 1 is a perspective view of a curved bone showing a new design;
 FIG. 2 is a front view of the curved bone;
 FIG. 3 is a side view of the curved bone;
 FIG. 4 is a top plan view of the curved bone; and,
 FIG. 5 is a bottom plan view of the curved bone.

1 Claim, 1 Drawing Sheet



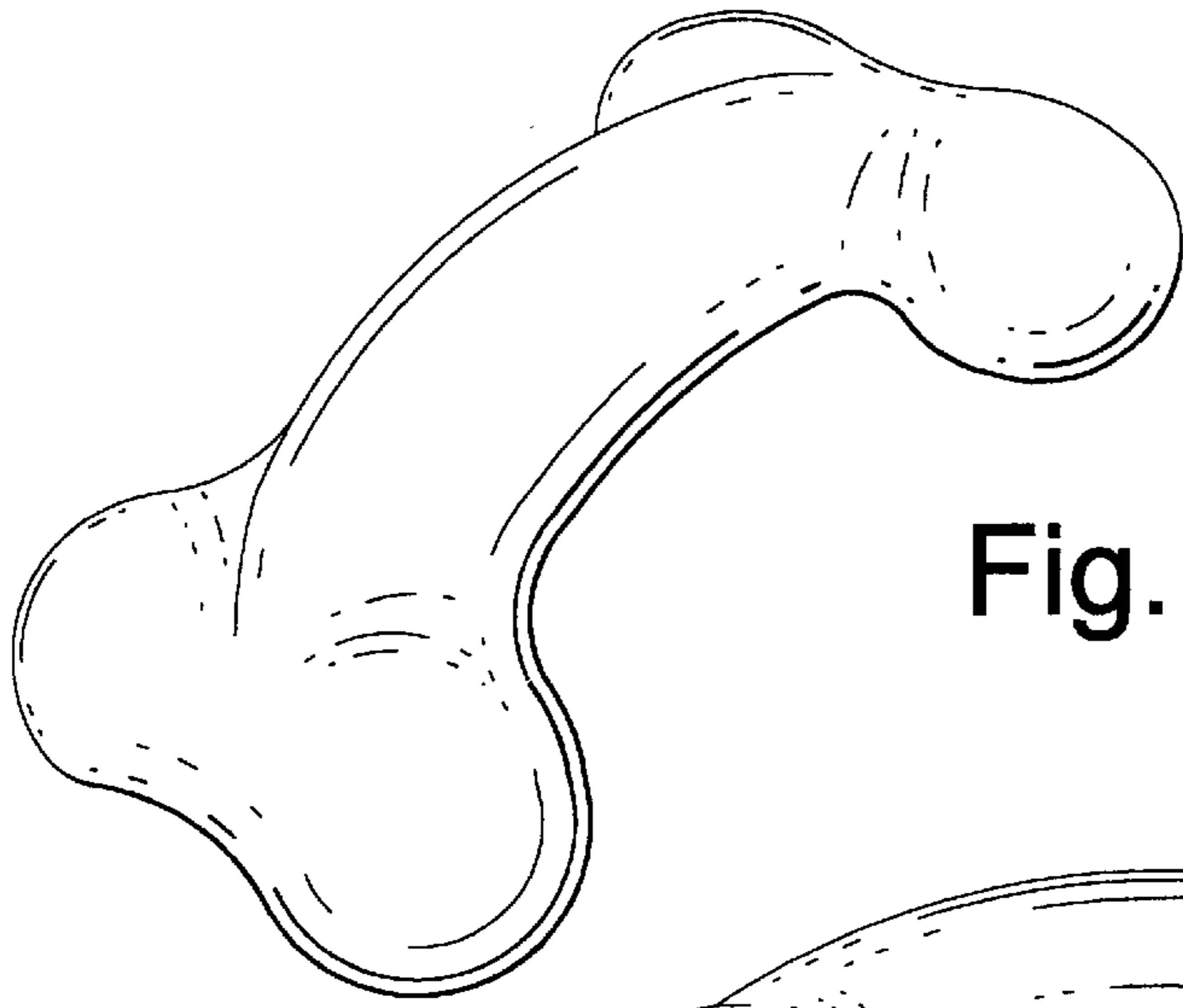


Fig. 1.

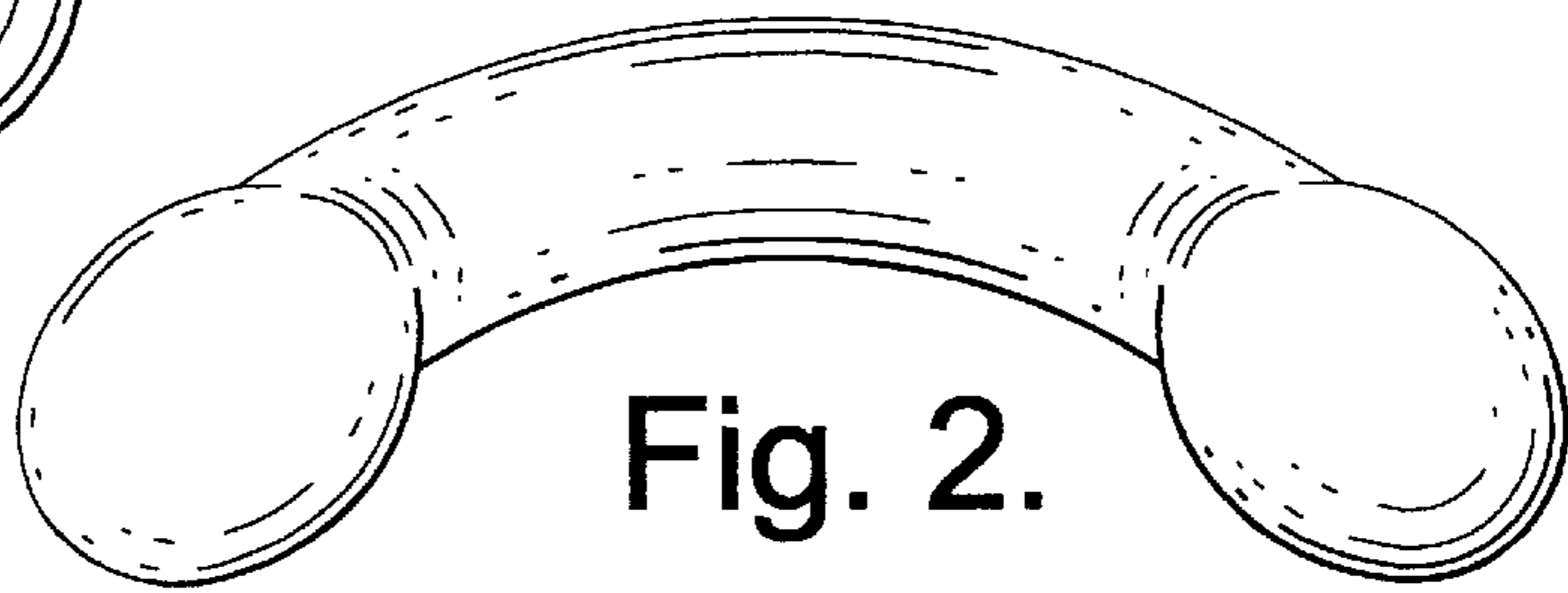


Fig. 2.

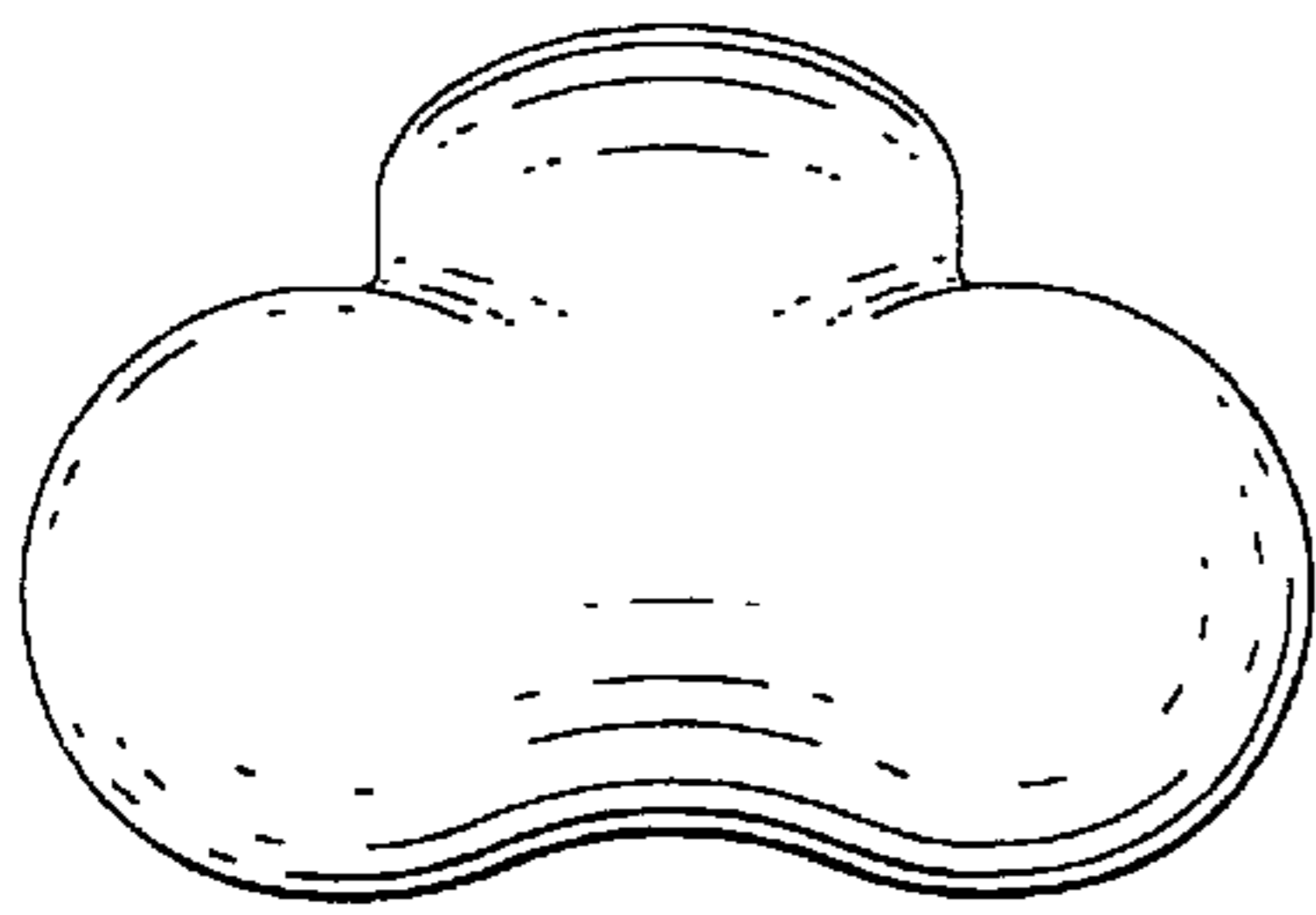


Fig. 3.

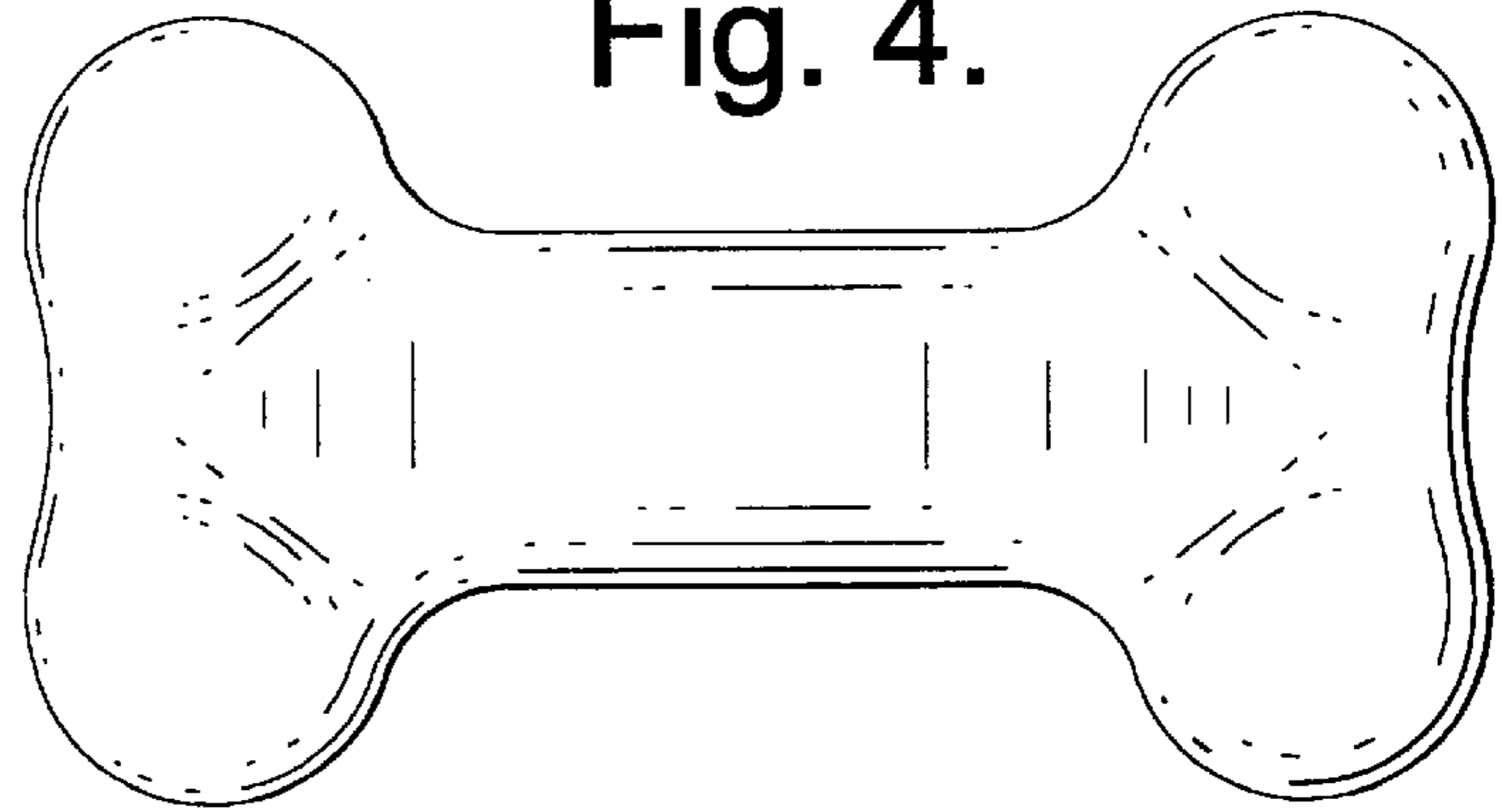


Fig. 4.

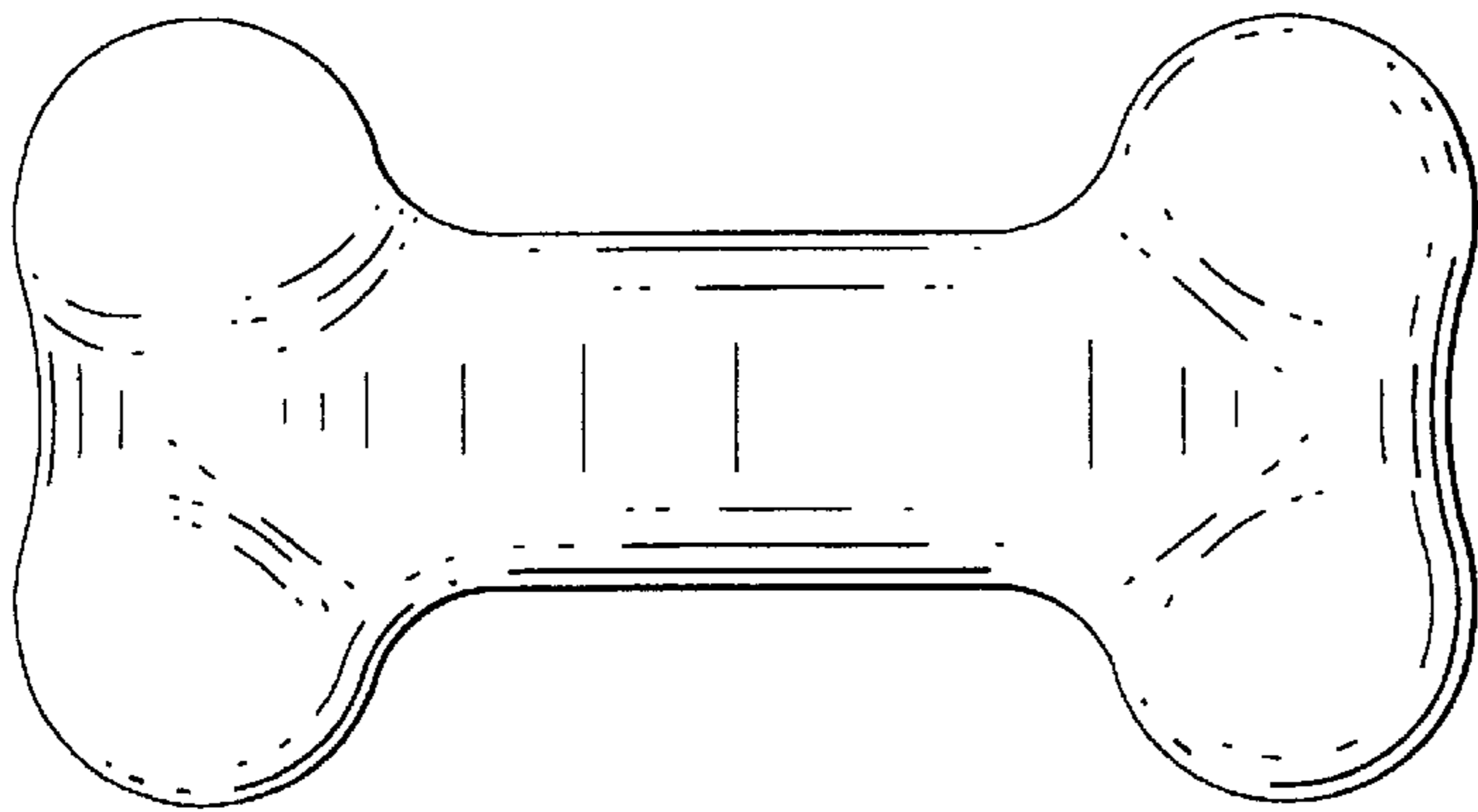


Fig. 5.