



US00D475811S

(12) **United States Design Patent**
Bontempo

(10) **Patent No.:** **US D475,811 S**

(45) **Date of Patent:** **** Jun. 10, 2003**

(54) **MULTI-COMPARTMENT COSMETIC CASE**

(76) **Inventor:** **Barbara Bontempo**, 501 S. Andrews Ave., Fort Lauderdale, FL (US) 33301

(**) **Term:** **14 Years**

(21) **Appl. No.:** **29/170,106**

(22) **Filed:** **Oct. 31, 2002**

(51) **LOC (7) Cl.** **28-03**

(52) **U.S. Cl.** **D28/83**

(58) **Field of Search** D28/73, 76, 78-84;
D3/295; 220/DIG. 26; 206/581, 823; 132/293-307,
314-315

(56) **References Cited**

U.S. PATENT DOCUMENTS

- D468,868 S * 1/2003 Thorpe et al. D28/83
- D469,223 S * 1/2003 Thorpe et al. D28/83

* cited by examiner

Primary Examiner—Jennifer Rivard

(74) *Attorney, Agent, or Firm*—Christopher & Weisberg, P.A.

(57) **CLAIM**

The ornamental design for a multi-compartment cosmetic case, as shown.

DESCRIPTION

FIG. 1 is a top, perspective view of the multi-compartment cosmetic case of the present invention; FIG. 2 is a top view thereof; FIG. 3 is a side view thereof; and, FIG. 4 is a top, perspective view of the multi-compartment cosmetic case with open lid.

1 Claim, 2 Drawing Sheets

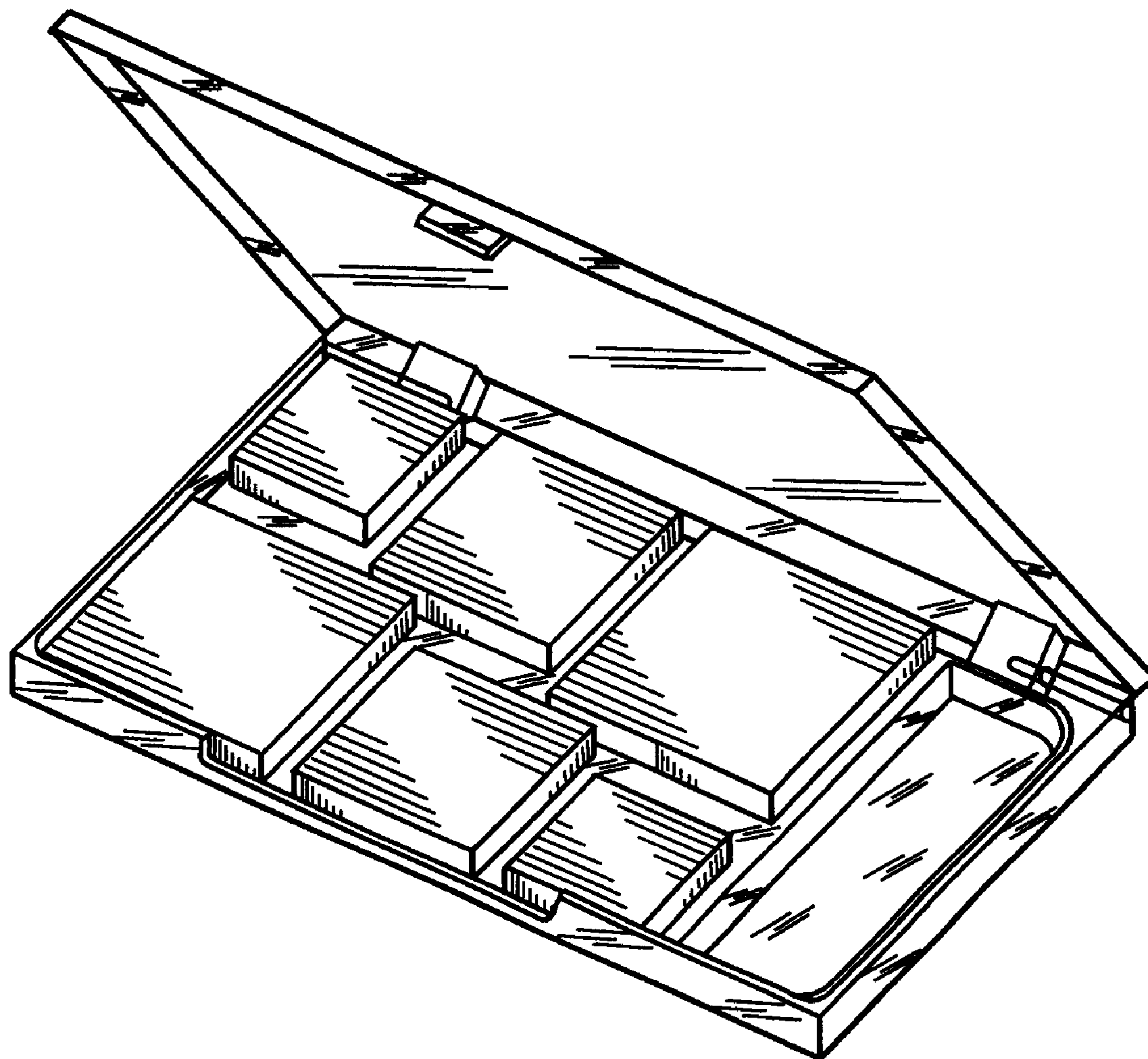


FIG. 1

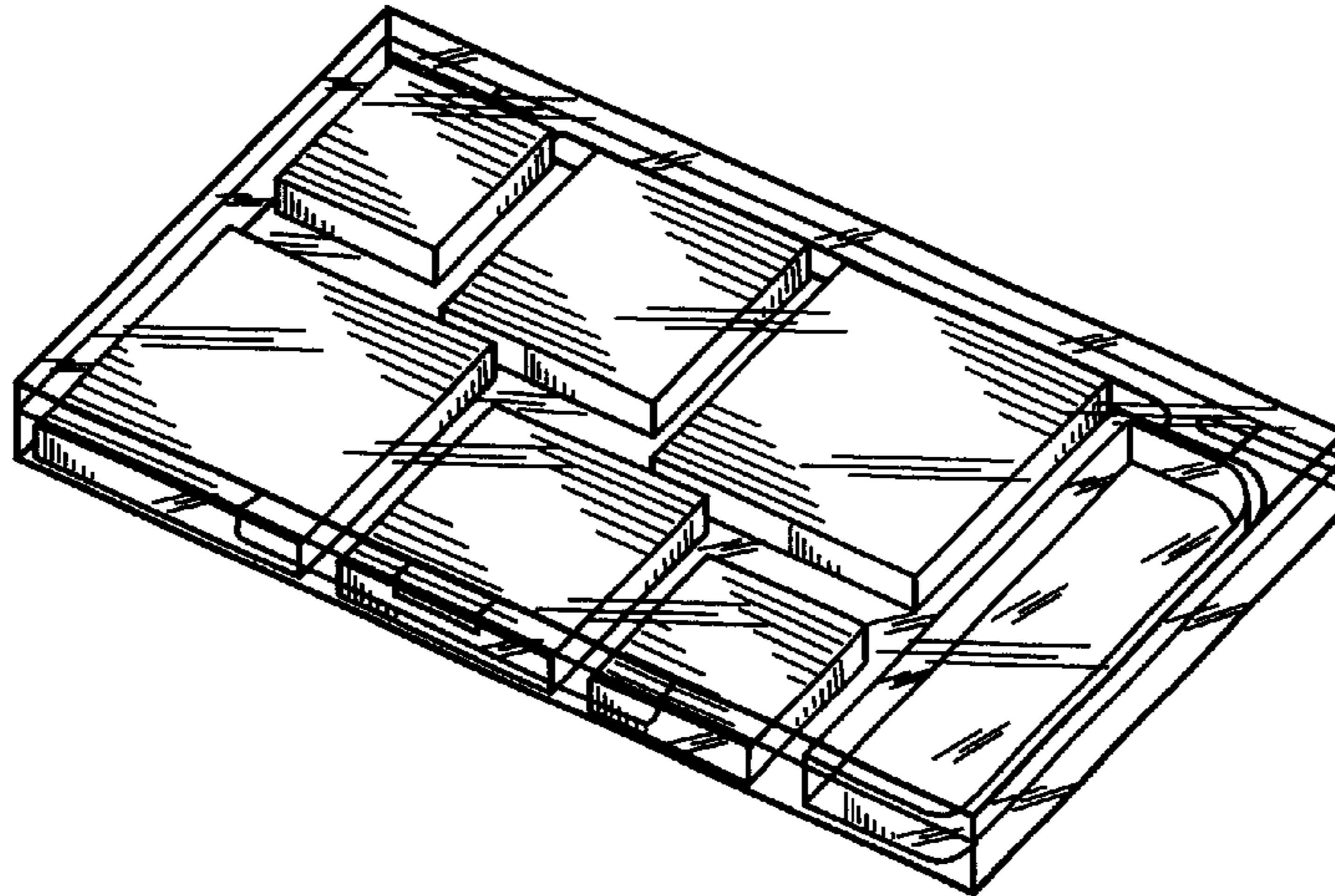


FIG. 2

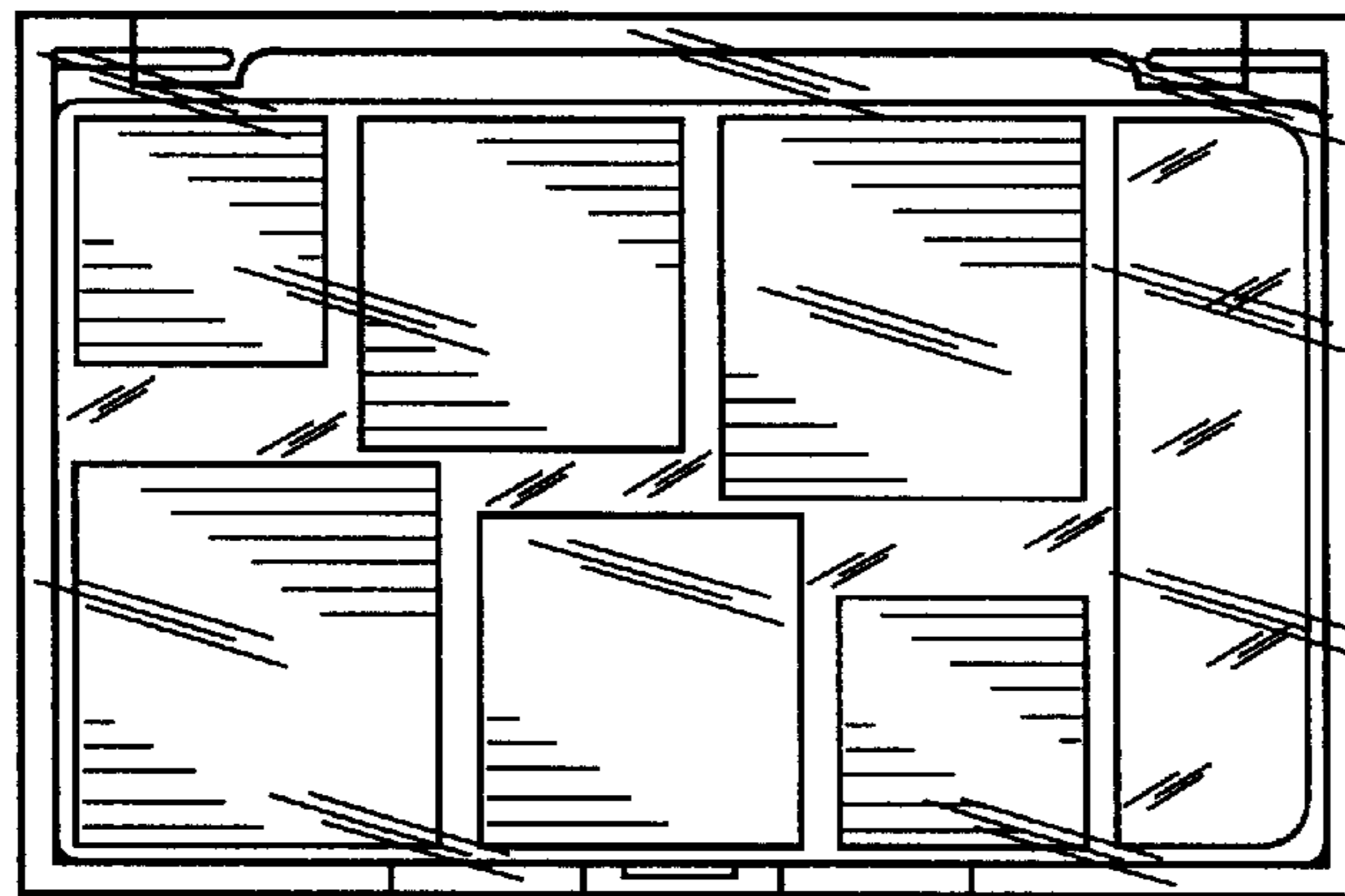


FIG. 3

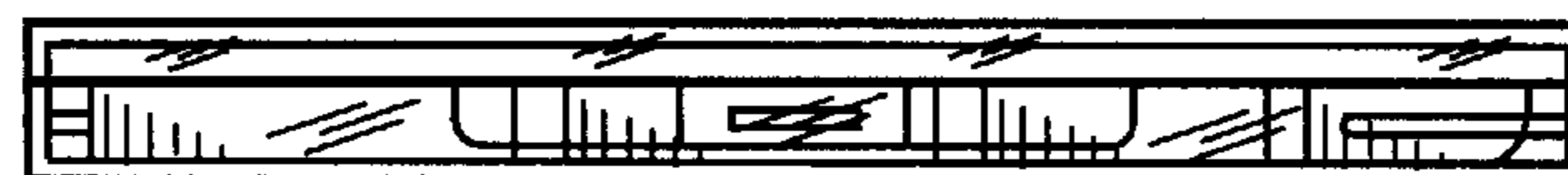


FIG. 4

