



US00D475808S

(12) **United States Design Patent**  
**Jancik**

(10) **Patent No.:** **US D475,808 S**

(45) **Date of Patent:** **\*\* Jun. 10, 2003**

(54) **PLIABLE NAIL BUFFER**

D459,548 S \* 6/2002 Torkiya ..... D28/59

(76) Inventor: **Guy Jancik**, P.O. Box 232404, San Diego, CA (US) 92193

\* cited by examiner

(\*\*) Term: **14 Years**

*Primary Examiner*—Jennifer Rivard  
(74) *Attorney, Agent, or Firm*—Gary L. Eastman

(21) Appl. No.: **29/164,918**

(57) **CLAIM**

(22) Filed: **Aug. 1, 2002**

The ornamental design for a pliable nail buffer, as shown and described.

(51) **LOC (7) Cl.** ..... **28-03**

**DESCRIPTION**

(52) **U.S. Cl.** ..... **D28/59**

(58) **Field of Search** ..... D28/56, 57, 59, D28/62; D24/147; 132/75.6, 76.4, 73; 401/205

FIG. 1 is a perspective view of a pliable nail buffer showing my new design;  
FIG. 2 is a front end view thereof;  
FIG. 3 is a left side view thereof;  
FIG. 4 is a top view thereof; and,  
FIG. 5 is a bottom view thereof.

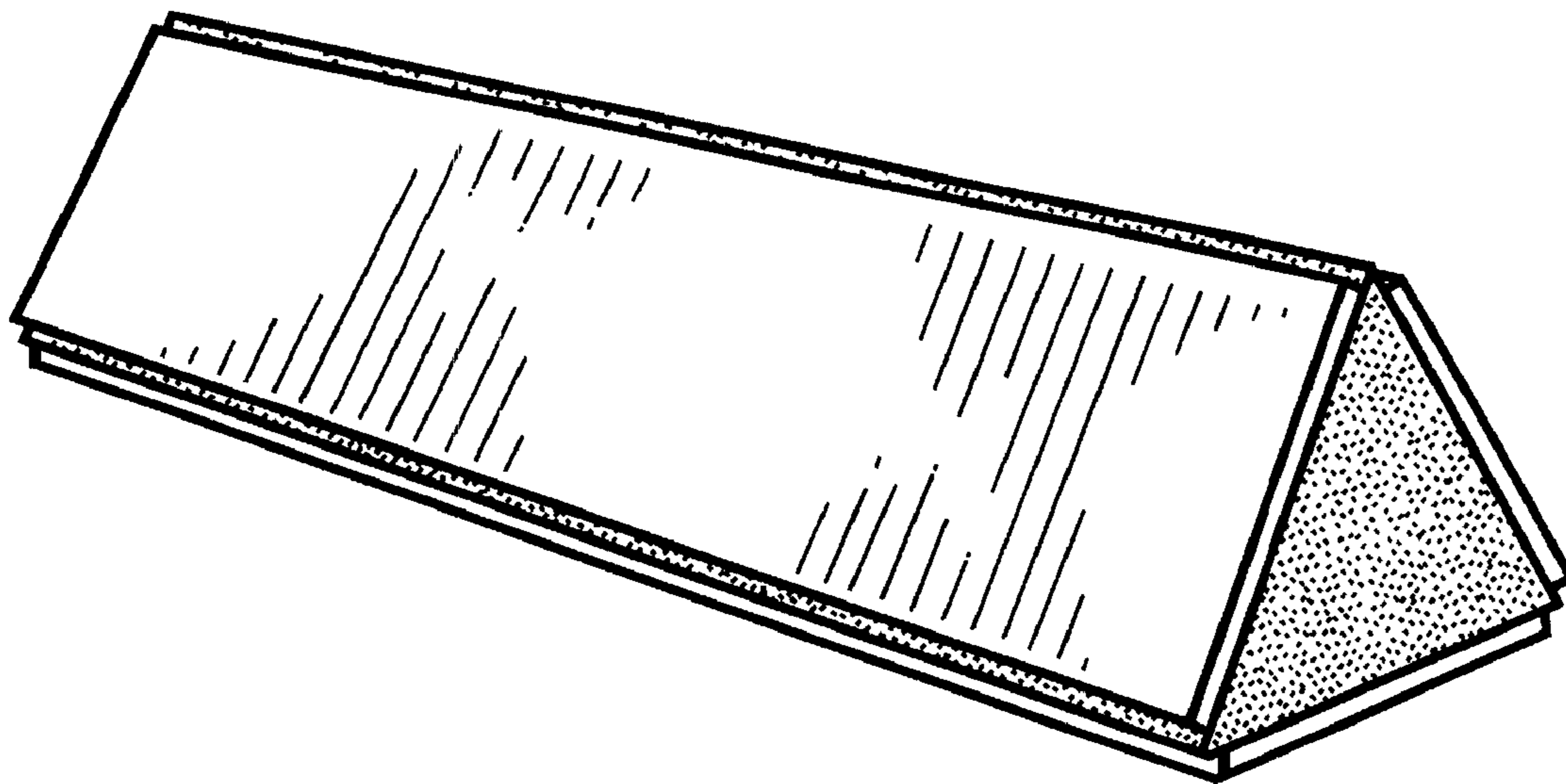
(56) **References Cited**

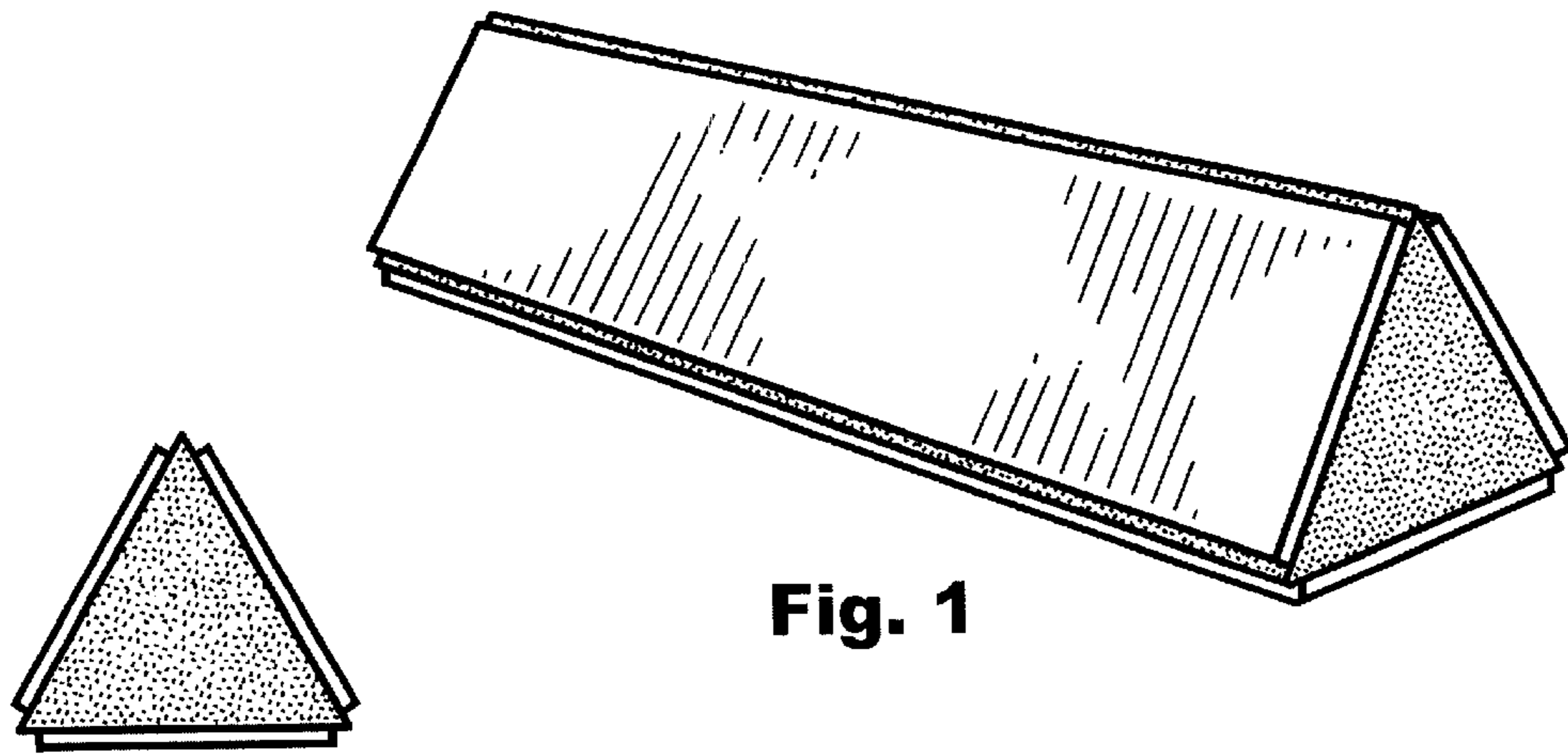
**U.S. PATENT DOCUMENTS**

2,505,295	A	*	4/1950	Meyers	.....	401/205
2,838,057	A	*	6/1958	Smith	.....	132/76.4
5,899,210	A		5/1999	Letherby et al.	.....	132/76.4
D416,648	S		11/1999	Letherby et al.	.....	D28/59

The right side view is a mirror image of FIG. 3, and the back end view is a mirror image of FIG. 2.

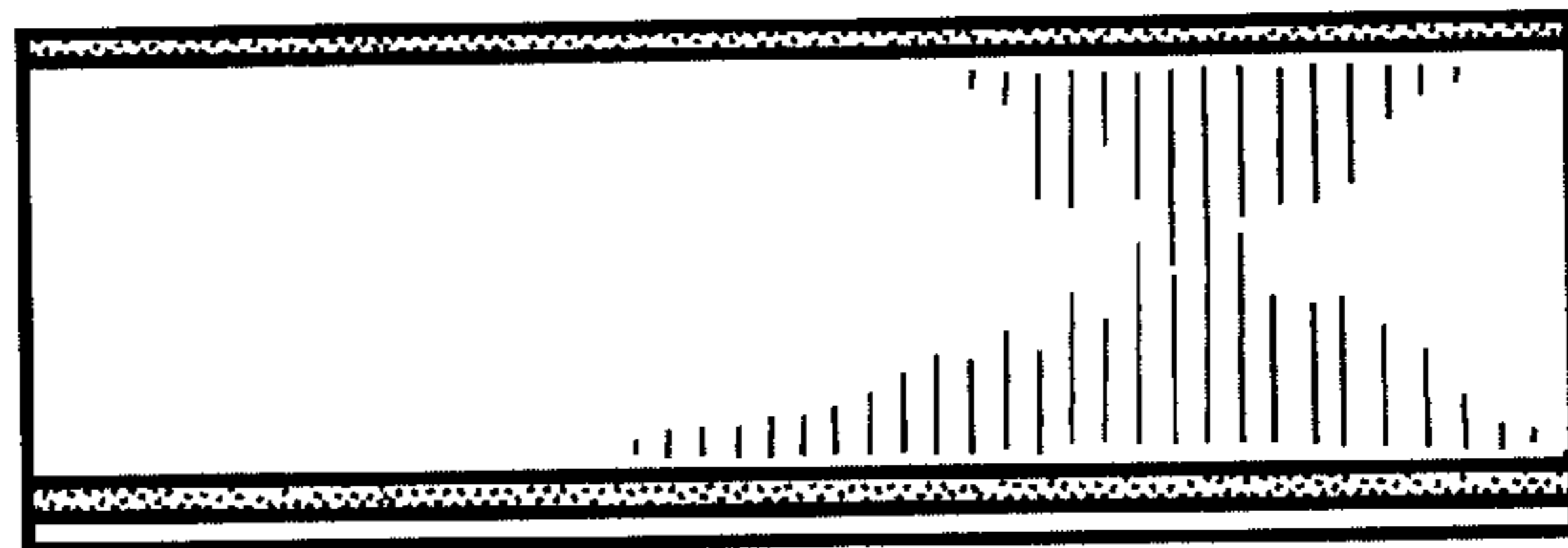
**1 Claim, 1 Drawing Sheet**



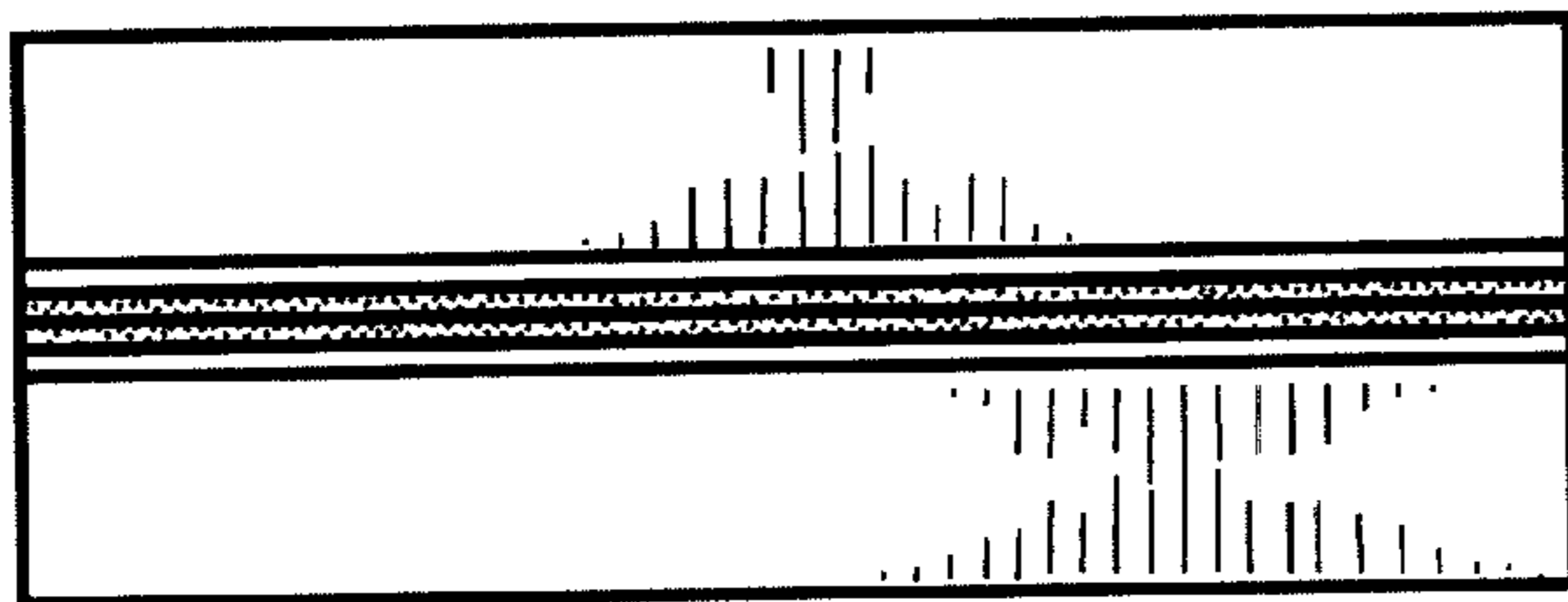


**Fig. 1**

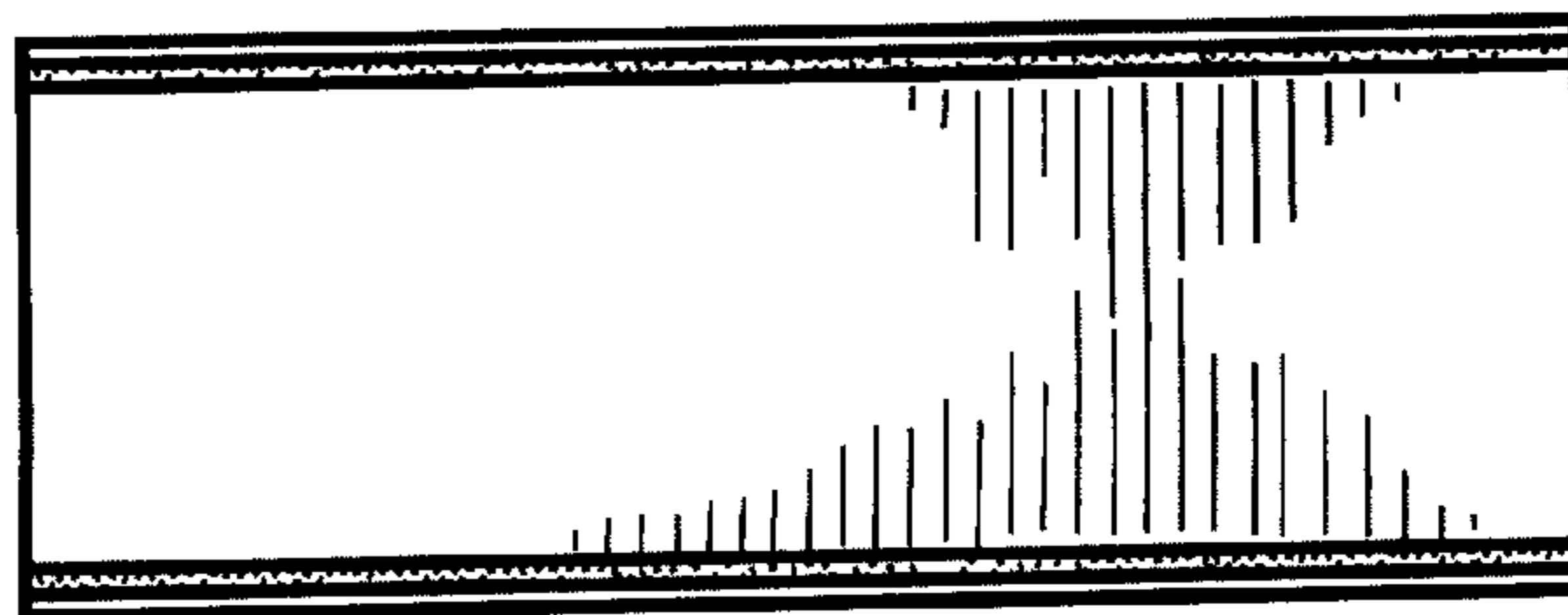
**Fig. 2**



**Fig. 3**



**Fig. 4**



**Fig. 5**