



US00D475806S

(12) **United States Design Patent**
Yang

(10) **Patent No.:** **US D475,806 S**

(45) **Date of Patent:** **** Jun. 10, 2003**

(54) **RAZOR**

(76) Inventor: **Yeh-Ho Yang**, No. 15, Alley 21, Lane 56, Jong Yuan Road, Section 1, Long Tan Hsiang, Tao Yuan County (TW)

(**) Term: **14 Years**

(21) Appl. No.: **29/170,321**

(22) Filed: **Nov. 5, 2002**

(51) **LOC (7) Cl.** **28-03**

(52) **U.S. Cl.** **D28/47**

(58) **Field of Search** D28/45-48; 30/41, 30/85, 86, 90, 47

(56) **References Cited**

U.S. PATENT DOCUMENTS

- D281,282 S * 11/1985 Lazarus D28/47
- 4,908,945 A * 3/1990 Jacobson 30/41
- D343,026 S * 1/1994 Dallaire et al. D28/47

5,761,813 A * 6/1998 Frick et al. 30/41

* cited by examiner

Primary Examiner—Jennifer Rivard

(74) *Attorney, Agent, or Firm*—Rosenberg, Klein & Lee

(57) **CLAIM**

The ornamental design for a razor, as shown and described.

DESCRIPTION

FIG. 1 is a perspective view of the razor in accordance with the design;

FIG. 2 is a front elevation view thereof;

FIG. 3 is a rear elevation view thereof;

FIG. 4 is a left side elevation view thereof;

FIG. 5 is a right side elevation view thereof;

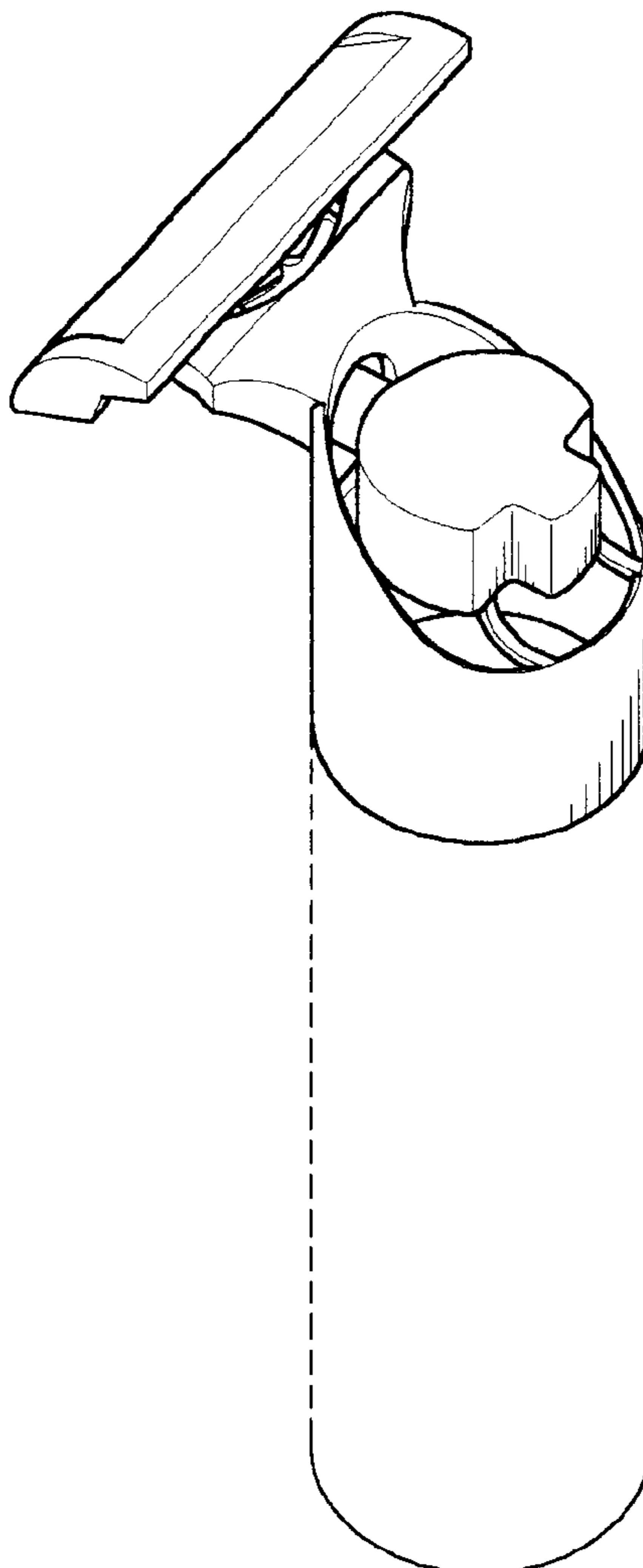
FIG. 6 is a top plan view thereof; and,

FIG. 7 is a bottom plan view thereof; and,

FIG. 8 is a preferred application embodiment of the design.

The broken line environmental showing is for illustrative purposes only and forms no part of the claimed design.

1 Claim, 5 Drawing Sheets



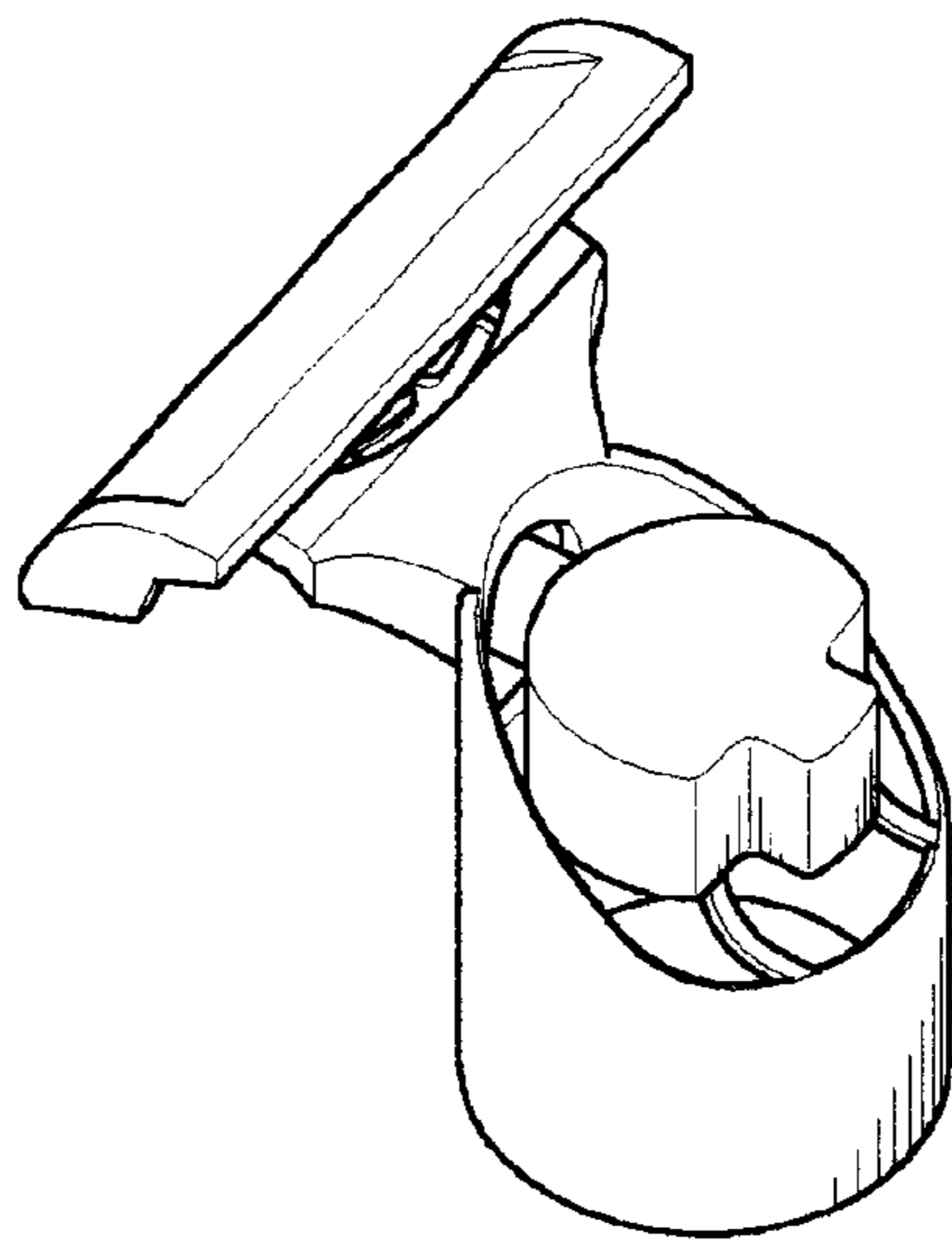


FIG.1

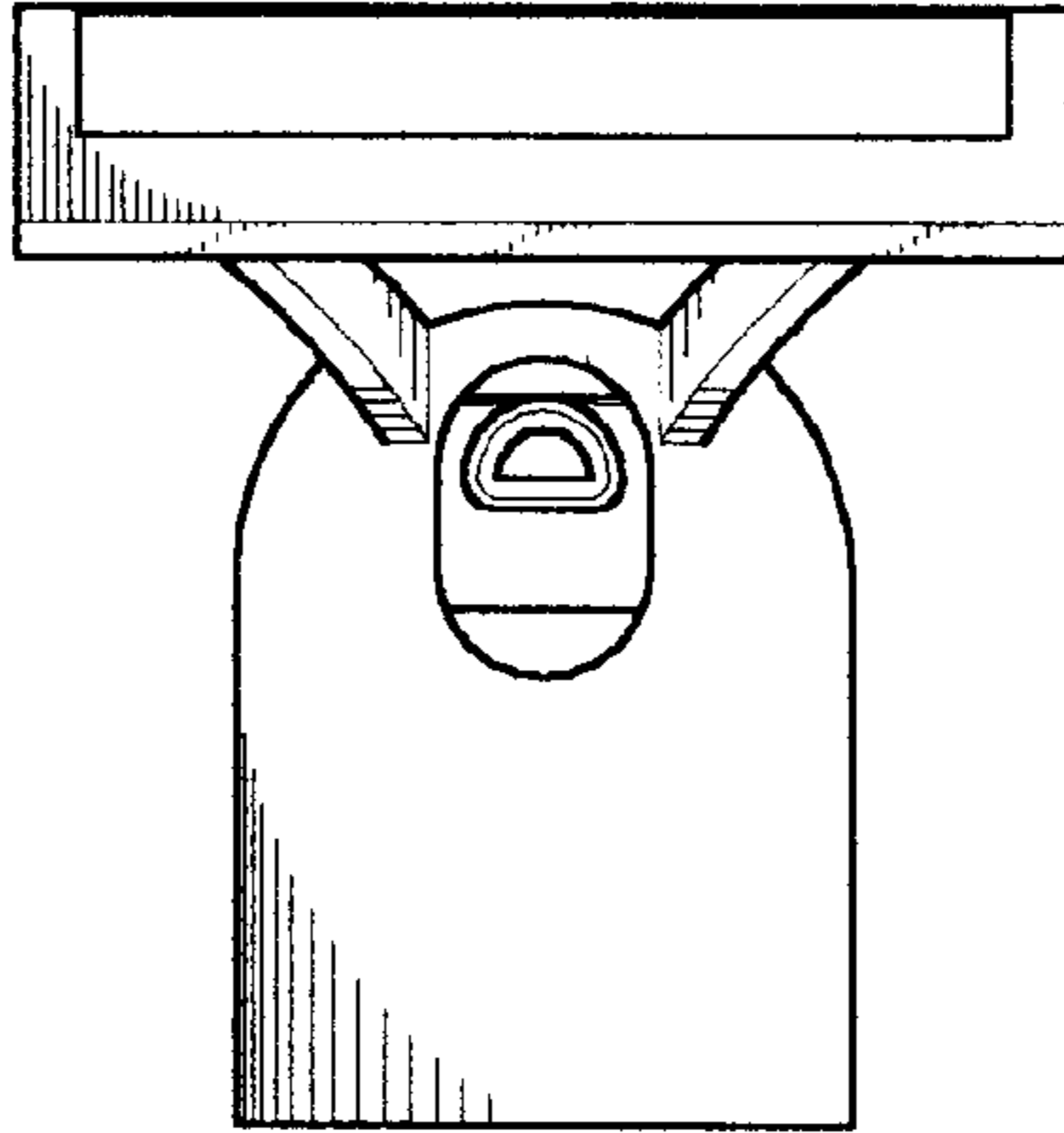


FIG.2

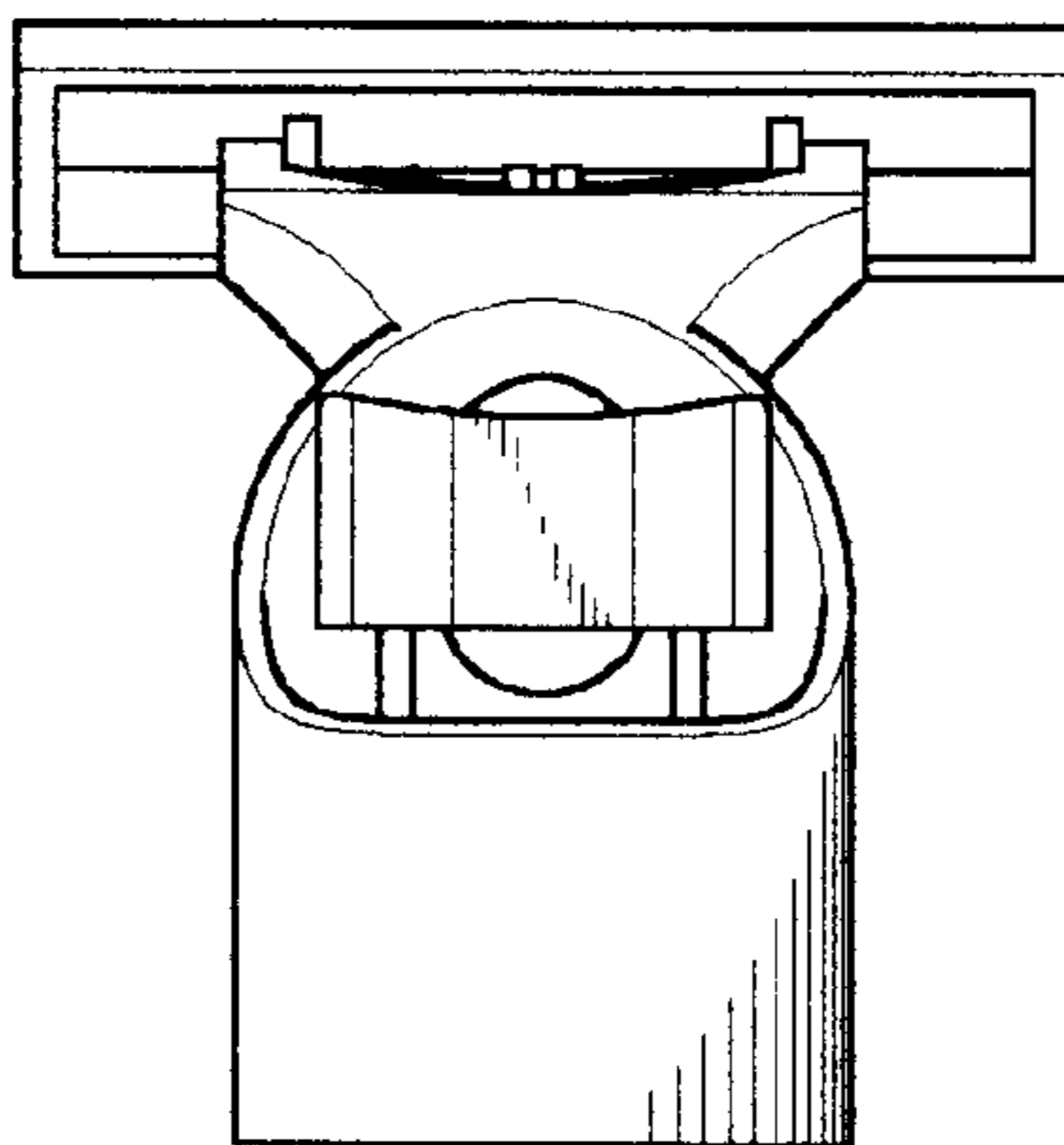


FIG.3

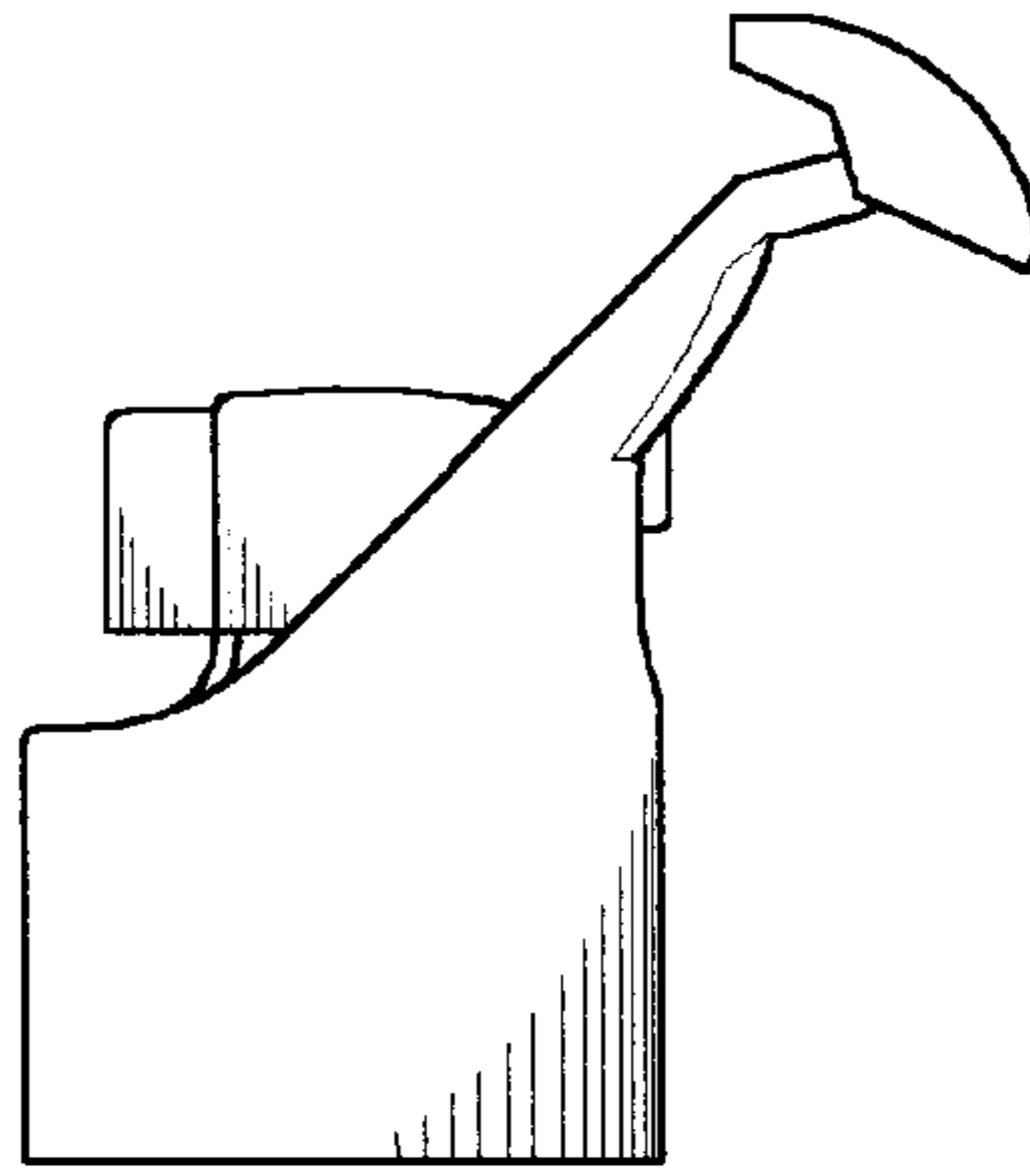


FIG. 4

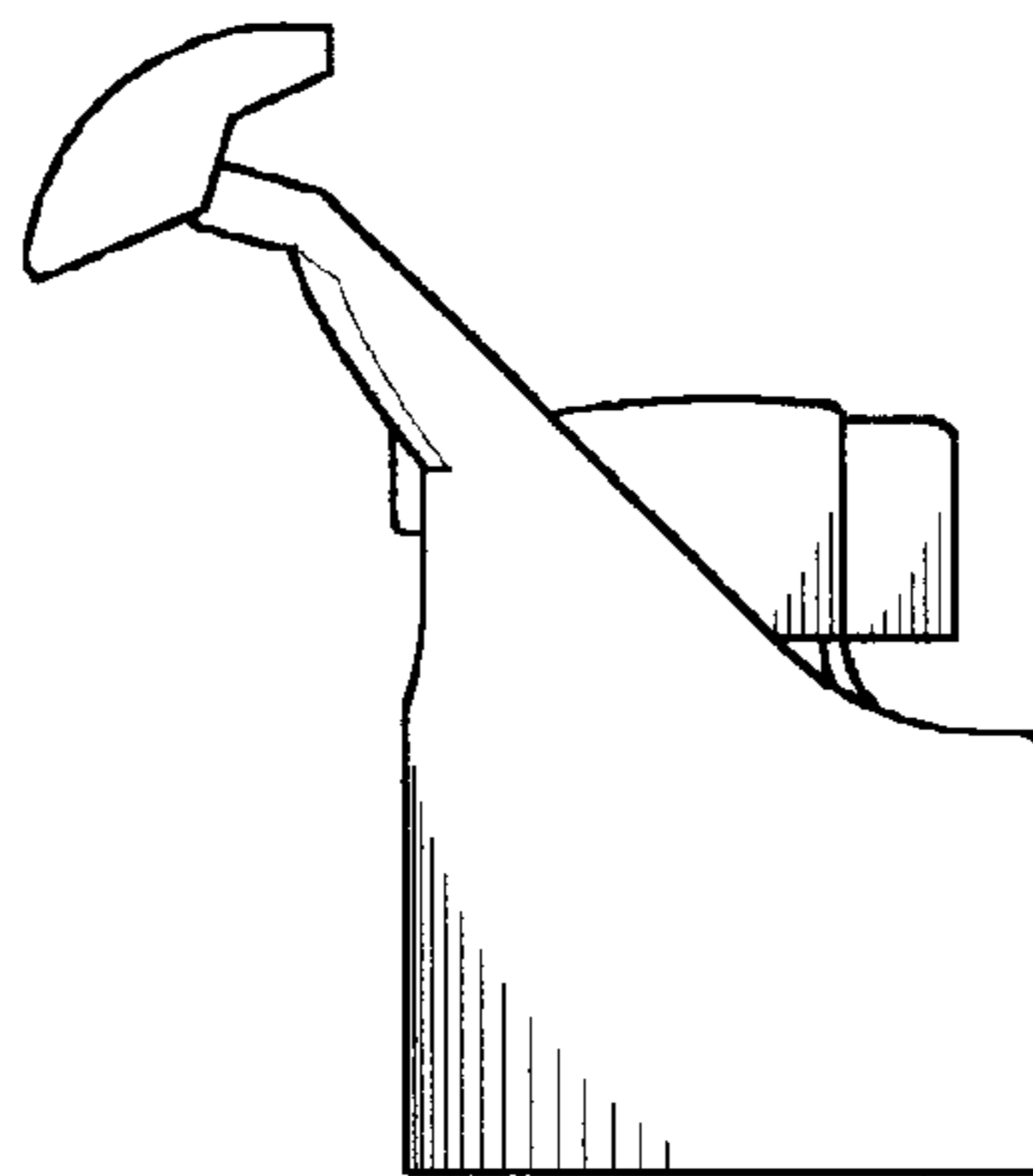


FIG. 5

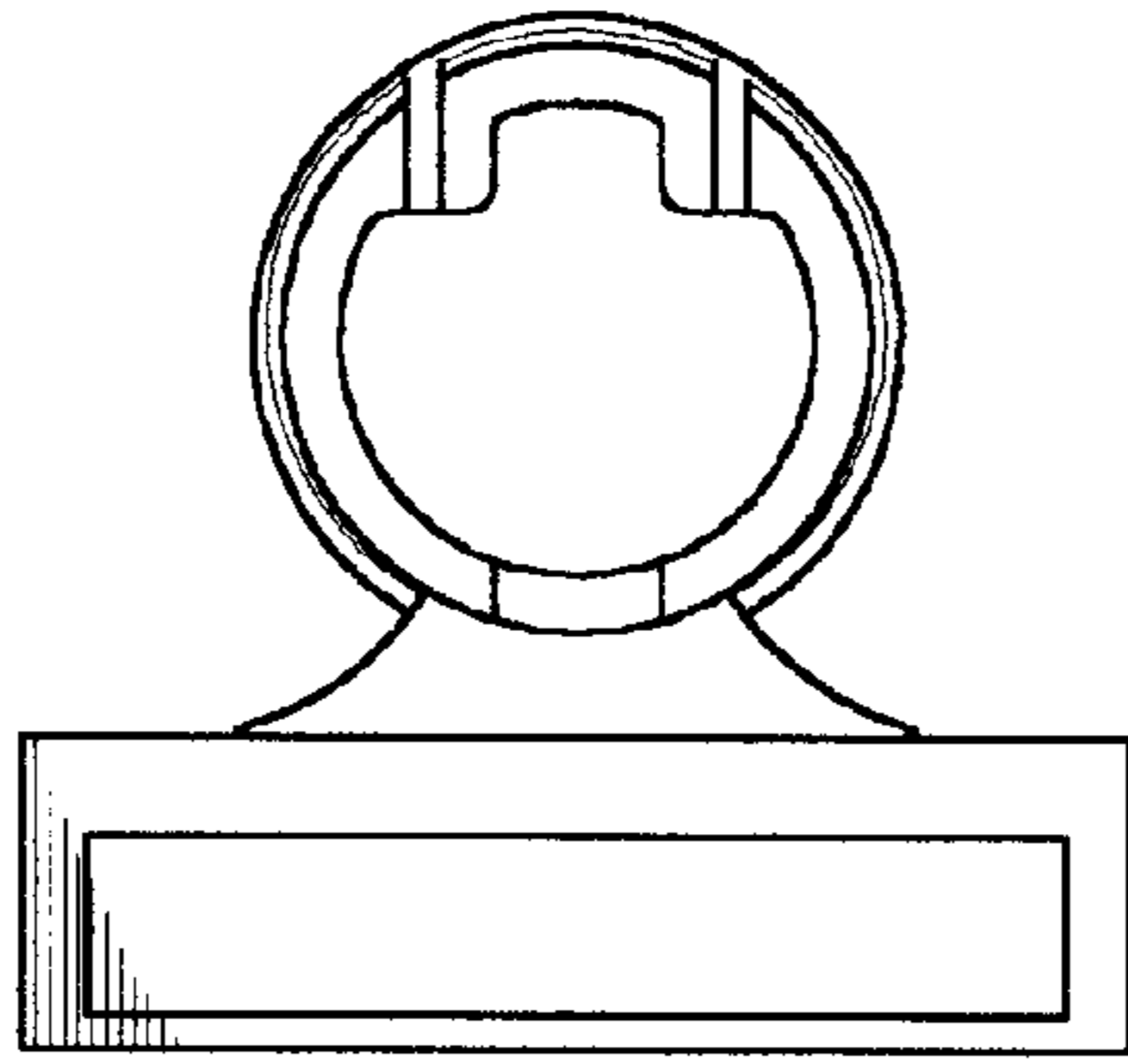


FIG. 6

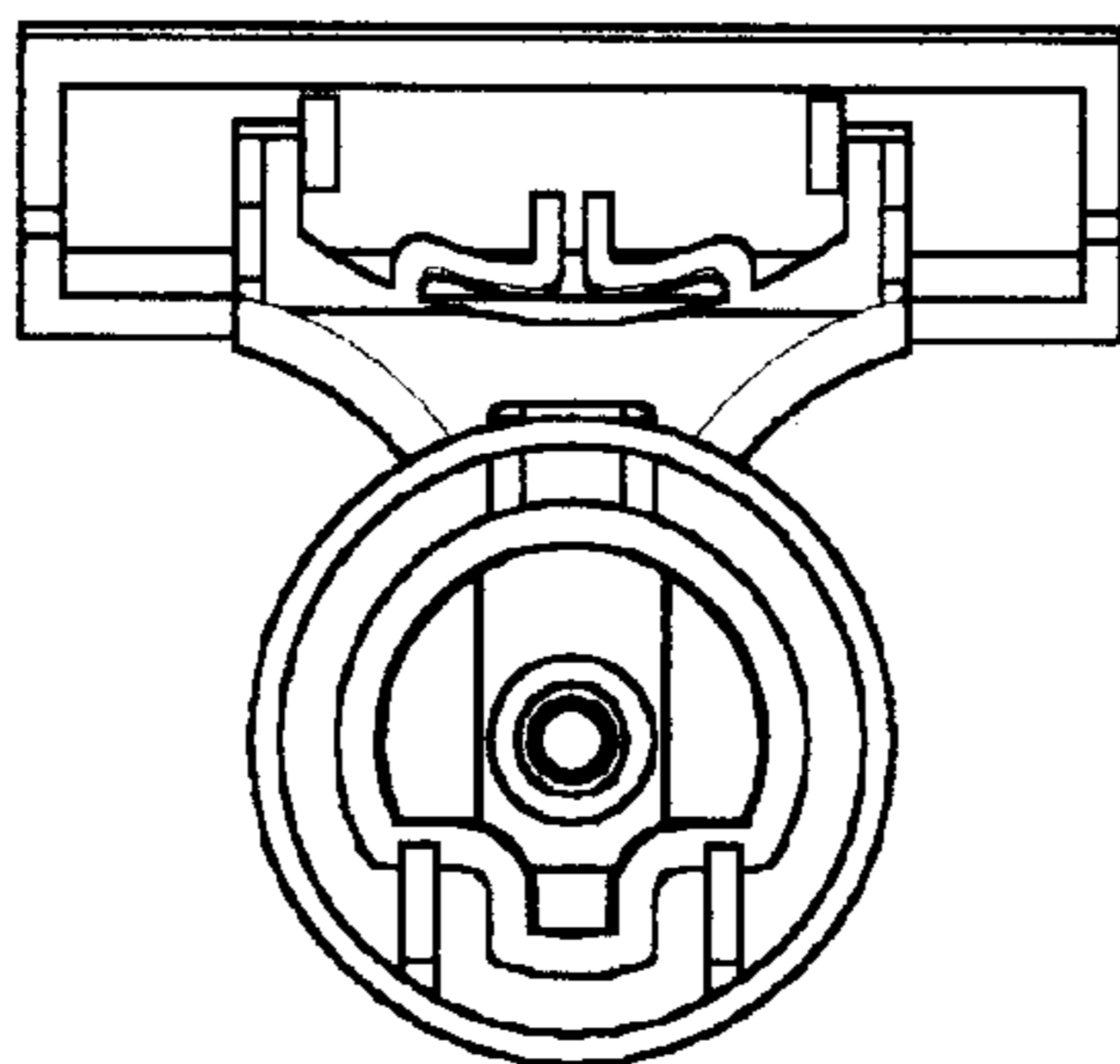


FIG. 7

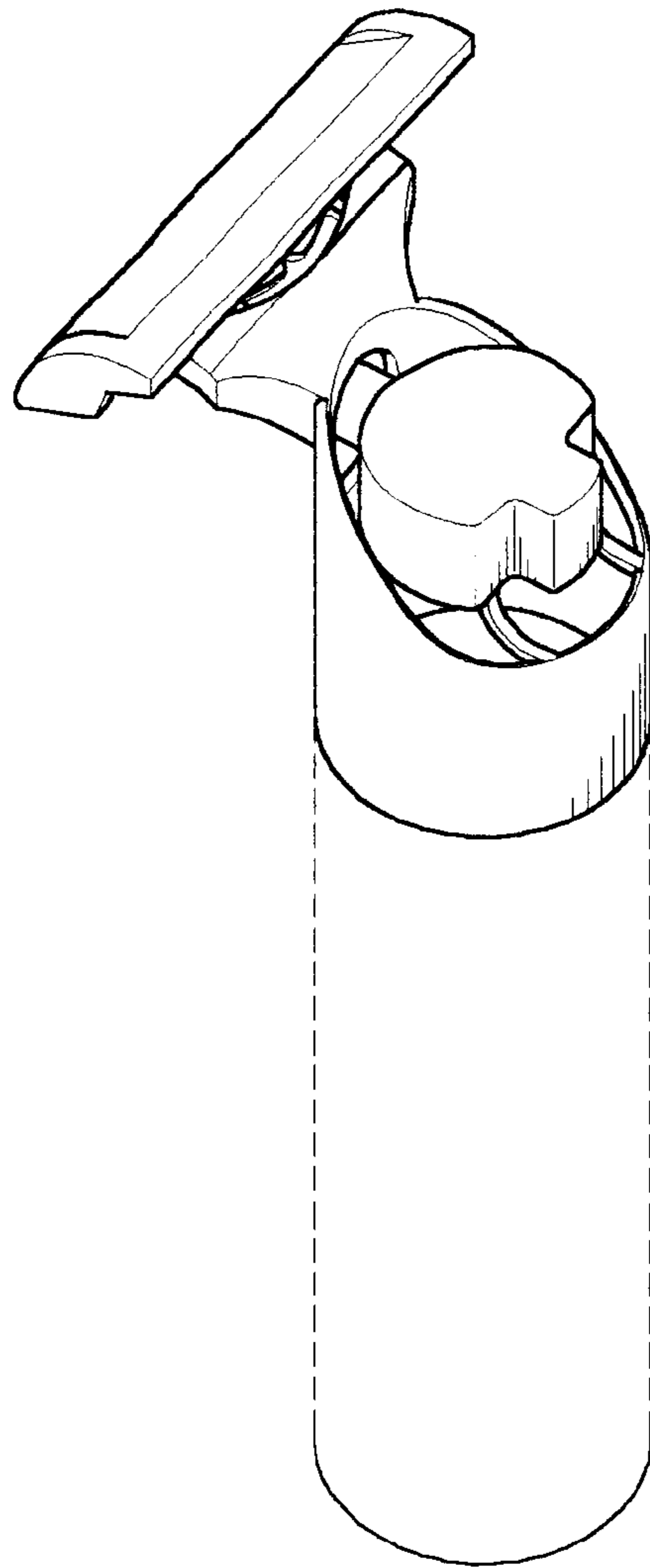


FIG.8