



US00D475801S

(12) **United States Design Patent**  
**Stewart**

(10) **Patent No.:** **US D475,801 S**

(45) **Date of Patent:** **\*\* Jun. 10, 2003**

(54) **PATIO LANTERN**

(76) **Inventor:** **Bruce William Stewart**, 2 Idlewood Drive, Midhurst, Ontario (CA), L0L 1X0

(\*\*) **Term:** **14 Years**

(21) **Appl. No.:** **29/155,486**

(22) **Filed:** **Feb. 11, 2002**

(51) **LOC (7) Cl.** ..... **26-05**

(52) **U.S. Cl.** ..... **D26/67**

(58) **Field of Search** ..... D26/60-72; D6/416; D3/13; 362/102, 186, 190, 191, 134

(56) **References Cited**

**U.S. PATENT DOCUMENTS**

2,087,537 A	7/1937	Finkel	240/2
2,879,507 A	* 3/1959	Bonistall	343/721
2,915,620 A	* 12/1959	Robinson	362/134
3,109,596 A	* 11/1963	Chernansky	362/134
4,174,532 A	11/1979	Kelley	362/102
4,425,602 A	1/1984	Lansing	362/186
4,920,897 A	* 5/1990	Reed et al.	108/150

5,007,811 A	4/1991	Hopkins	135/16
5,584,564 A	12/1996	Phyle	362/102
6,068,006 A	5/2000	Murphy	135/16

\* cited by examiner

*Primary Examiner*—Alan P. Douglas  
*Assistant Examiner*—Clare E Heflin  
(74) *Attorney, Agent, or Firm*—Wood, Herron & Evans, L.L.P.

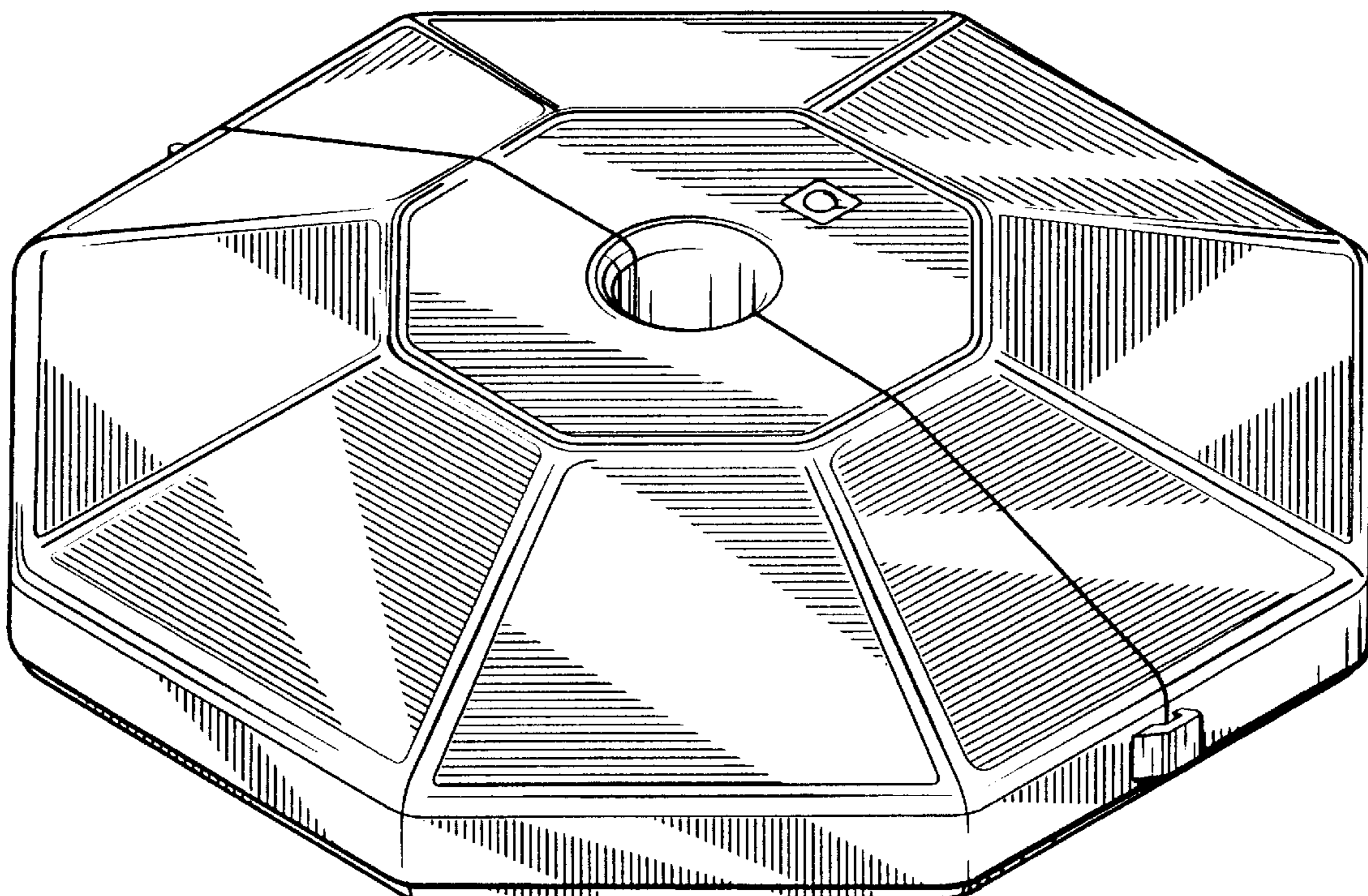
(57) **CLAIM**

The ornamental design for a patio lantern, as shown and described.

**DESCRIPTION**

FIG. 1 is a perspective view of a patio lantern showing my design;  
FIG. 2 is a front elevational view thereof;  
FIG. 3 is a left side elevational view thereof;  
FIG. 4 is a right side elevational view thereof.  
FIG. 5 is a rear elevational view thereof;  
FIG. 6 is a top plan view thereof; and,  
FIG. 7 is a bottom plan view thereof.

**1 Claim, 3 Drawing Sheets**



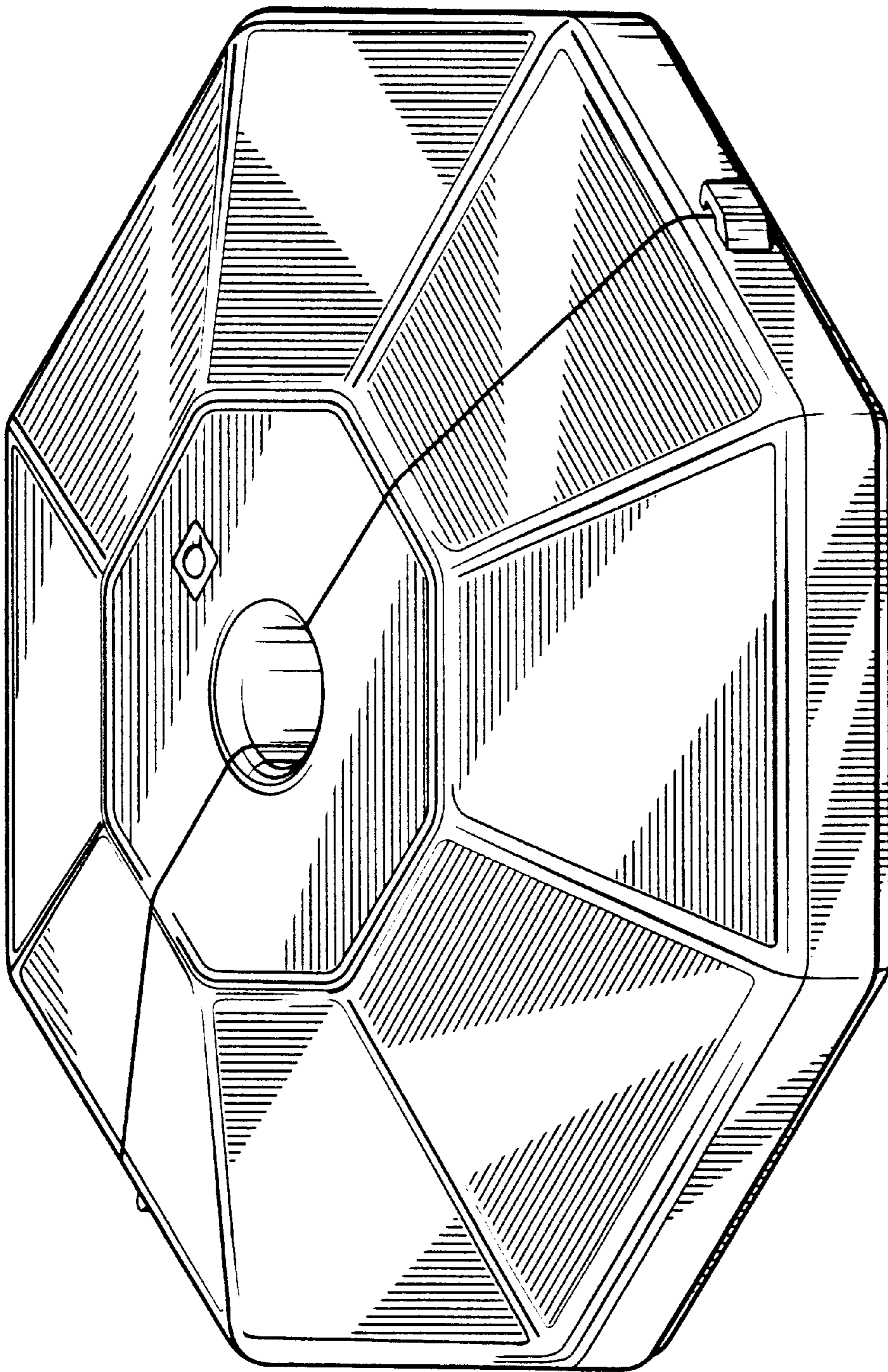


FIG. 1

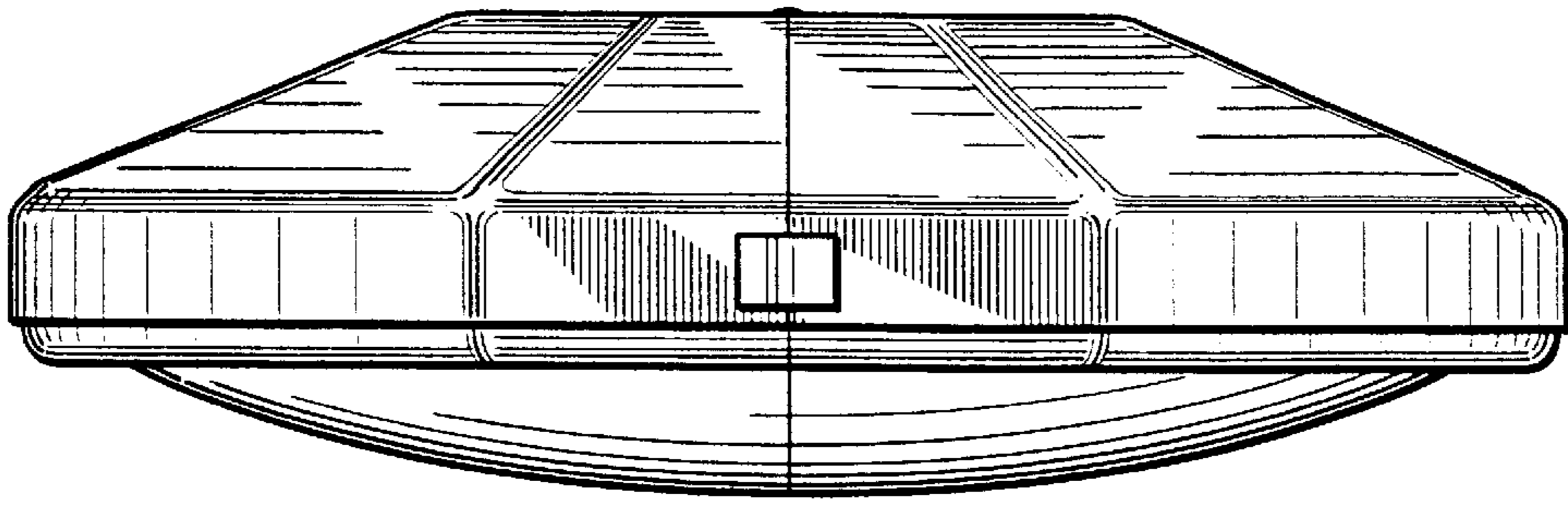


FIG. 2

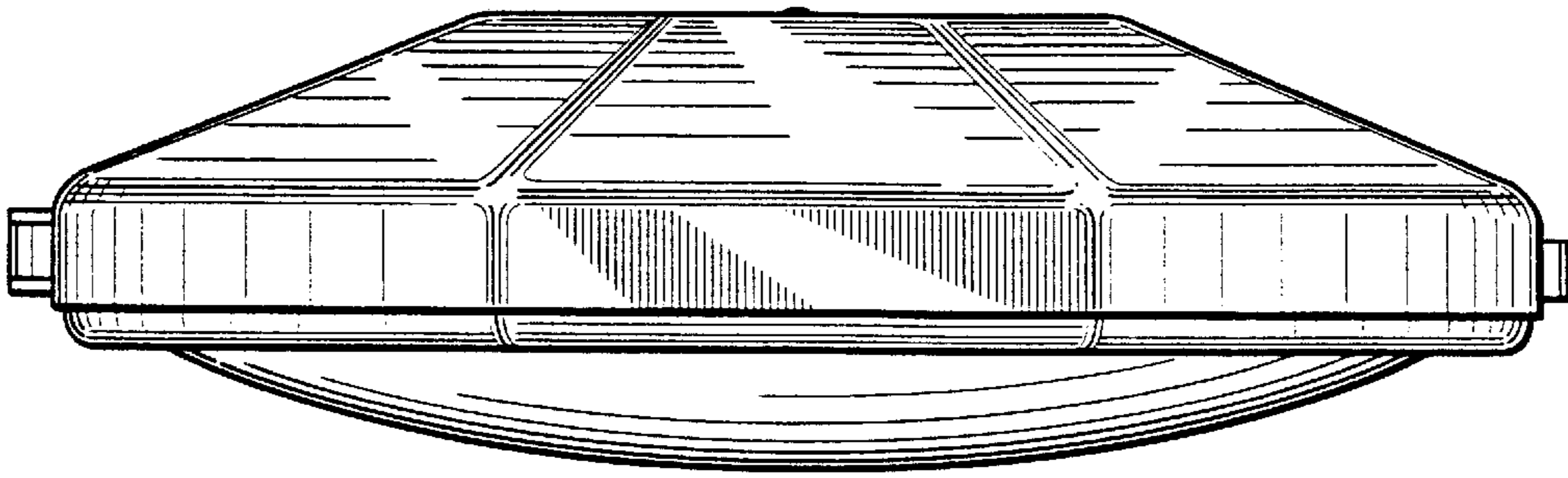


FIG. 3

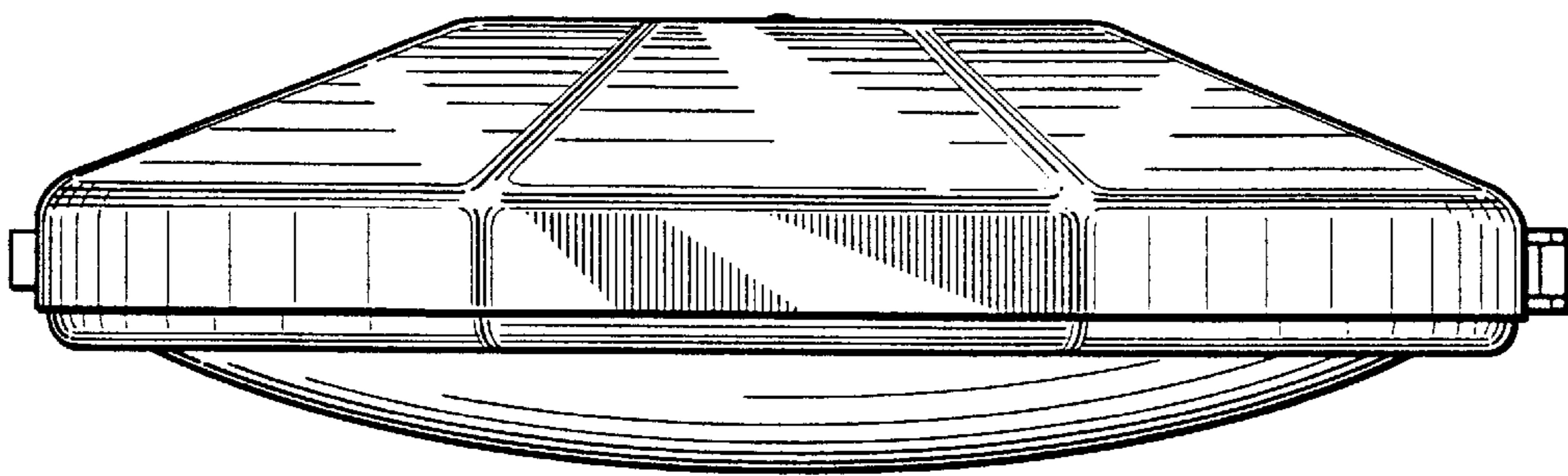


FIG. 4

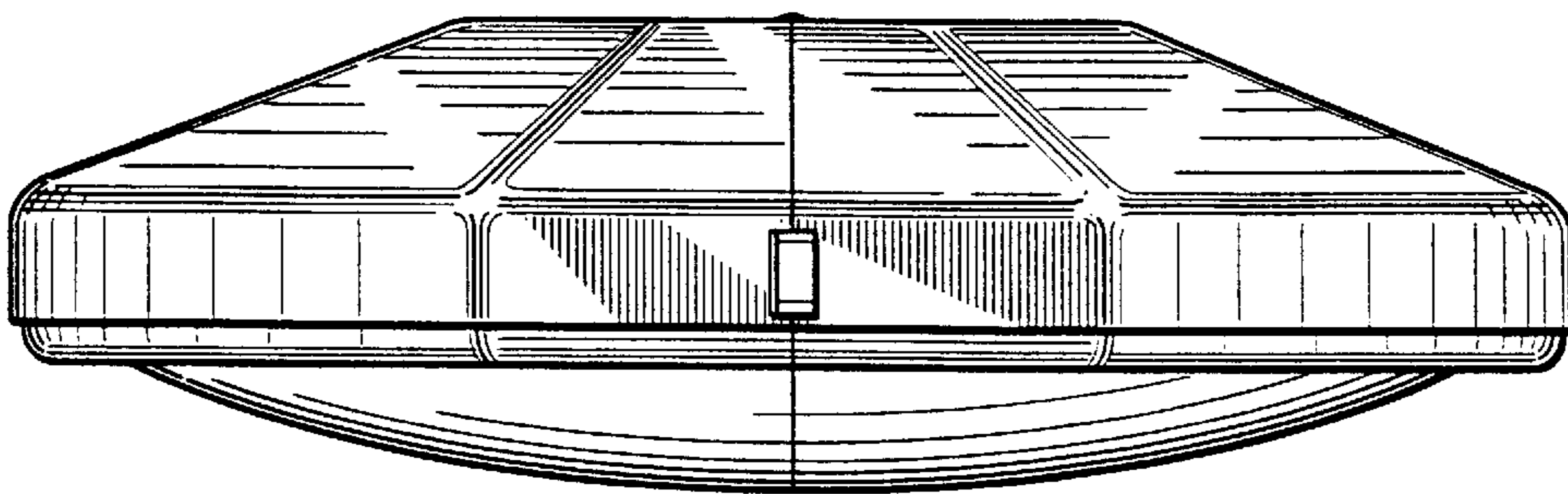


FIG. 5

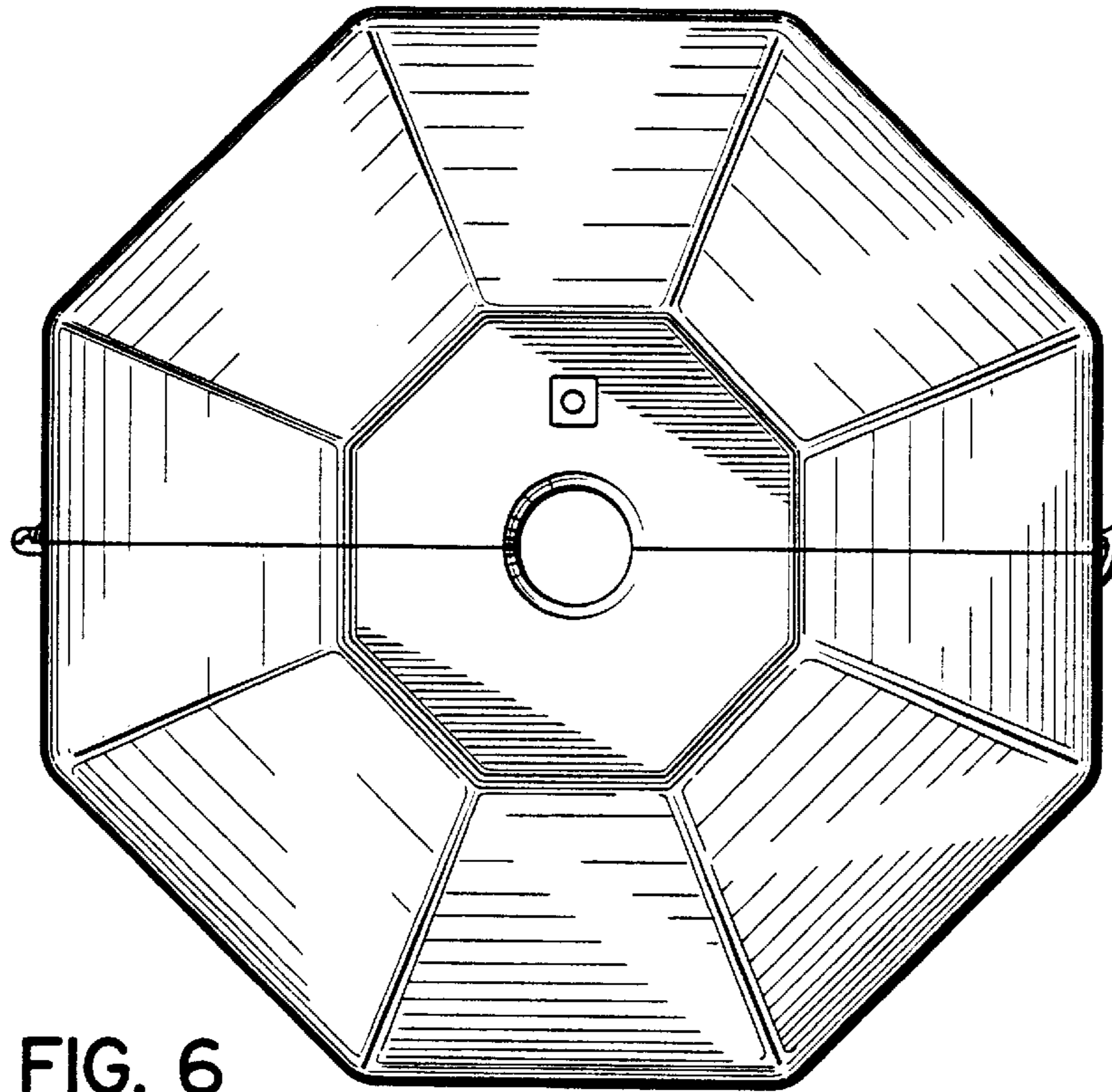


FIG. 6

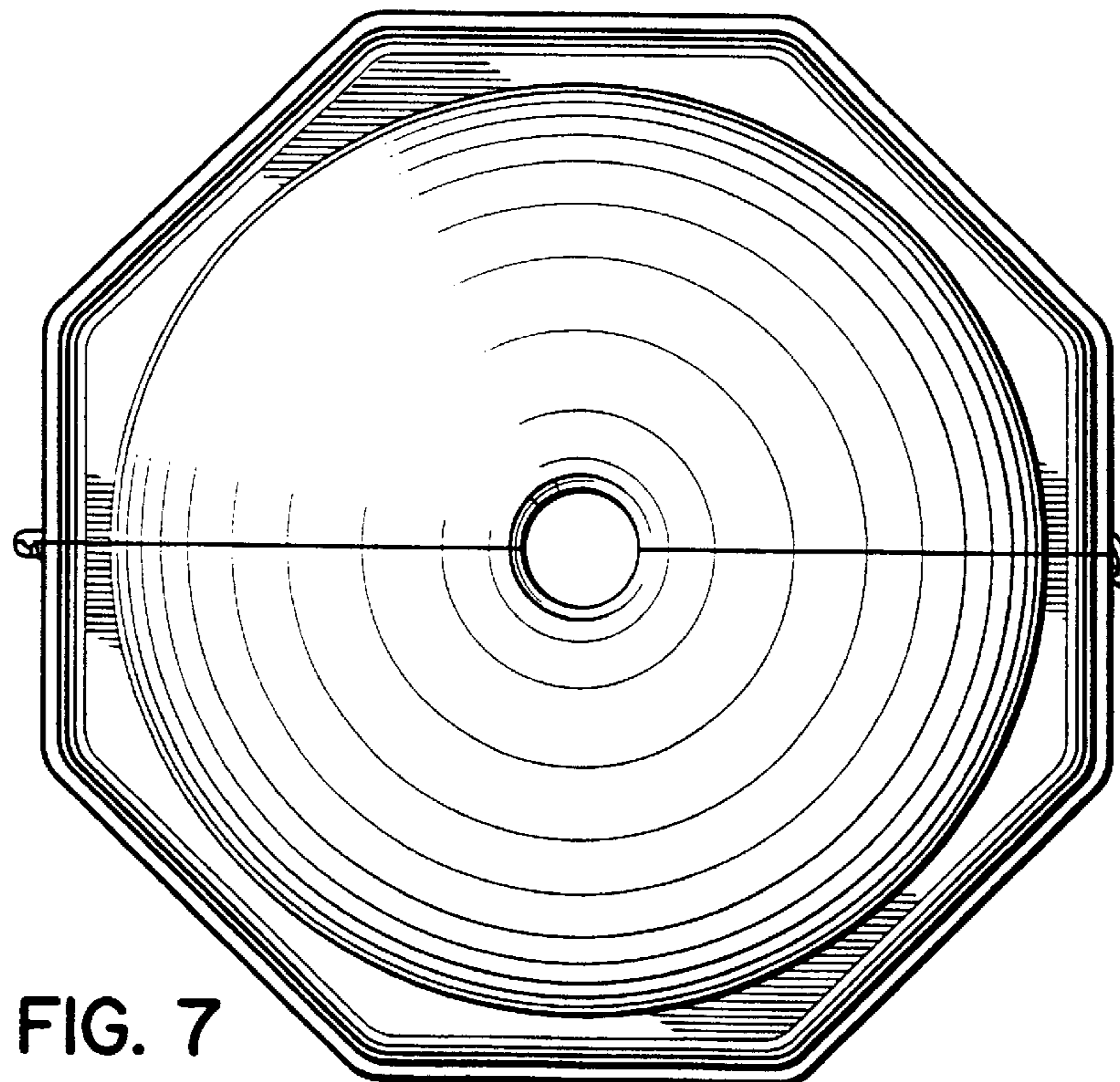


FIG. 7