



US00D475800S

(12) **United States Design Patent**
Reisbord

(10) **Patent No.:** **US D475,800 S**

(45) **Date of Patent:** **** Jun. 10, 2003**

(54) **PORTABLE LIGHTING FIXTURE WITH TRIPOD**

(75) **Inventor:** **Steven T. Reisbord**, Ardmore, PA (US)

(73) **Assignee:** **Checkolite International, Inc.**, Jersey City, NJ (US)

(**) **Term:** **14 Years**

(21) **Appl. No.:** **29/160,926**

(22) **Filed:** **May 20, 2002**

(51) **LOC (7) Cl.** **26-05**

(52) **U.S. Cl.** **D26/65**

(58) **Field of Search** D26/61-66, 93,
D26/102; 362/236-239, 269-275, 277-289,
401, 419, 427, 428, 393

(56) **References Cited**

U.S. PATENT DOCUMENTS

D450,149 S * 11/2001 Leen D26/65
6,474,844 B1 * 11/2002 Ching 362/285

OTHER PUBLICATIONS

Taiwan Lighting, Feb. 1997, Liting Universal Ent. Corp. lamp at top right of p. 209.*

* cited by examiner

Primary Examiner—Alan P. Douglas

Assistant Examiner—Linda Brooks

(74) *Attorney, Agent, or Firm*—Ezra Sutton

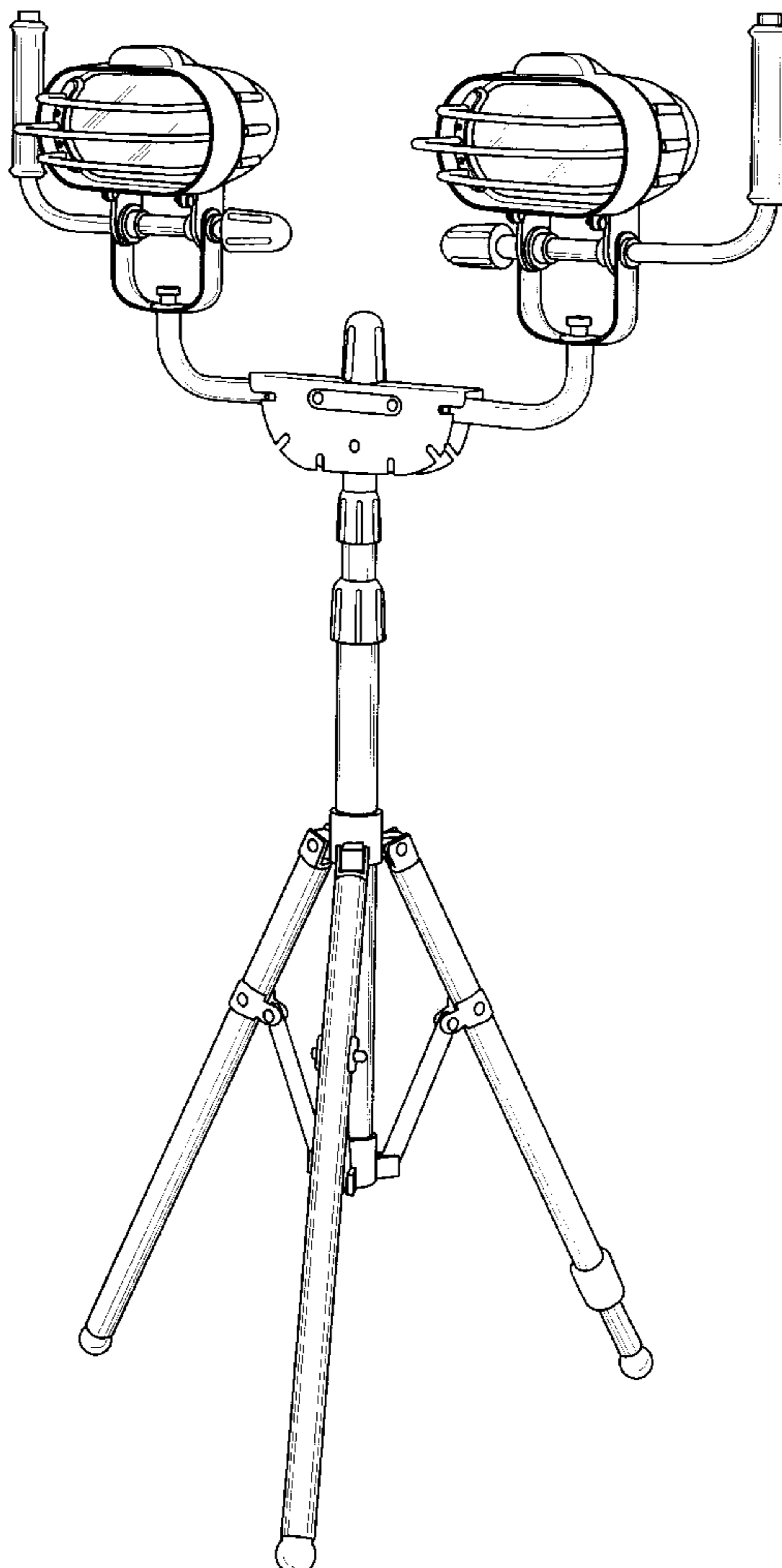
(57) **CLAIM**

The ornamental design for a portable lighting fixture with tripod, as shown and described.

DESCRIPTION

FIG. 1 is a perspective view showing the portable lighting fixture with tripod embodying my new design; FIG. 2 is a front view thereof; FIG. 3 is a rear view thereof; FIG. 4 is a left side view thereof; FIG. 5 is a right side view thereof; and, FIG. 6 is a top view thereof.

1 Claim, 5 Drawing Sheets



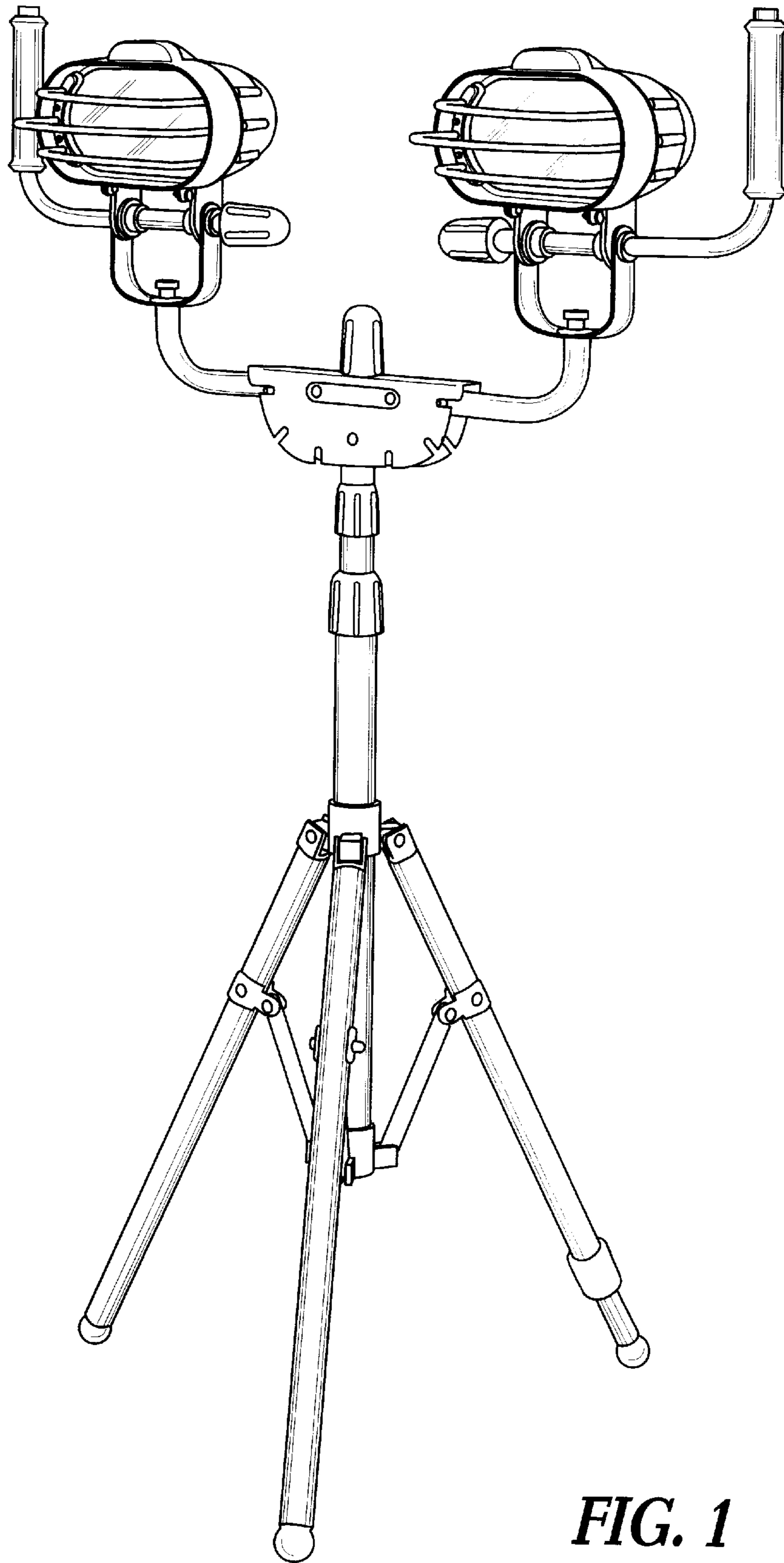


FIG. 1

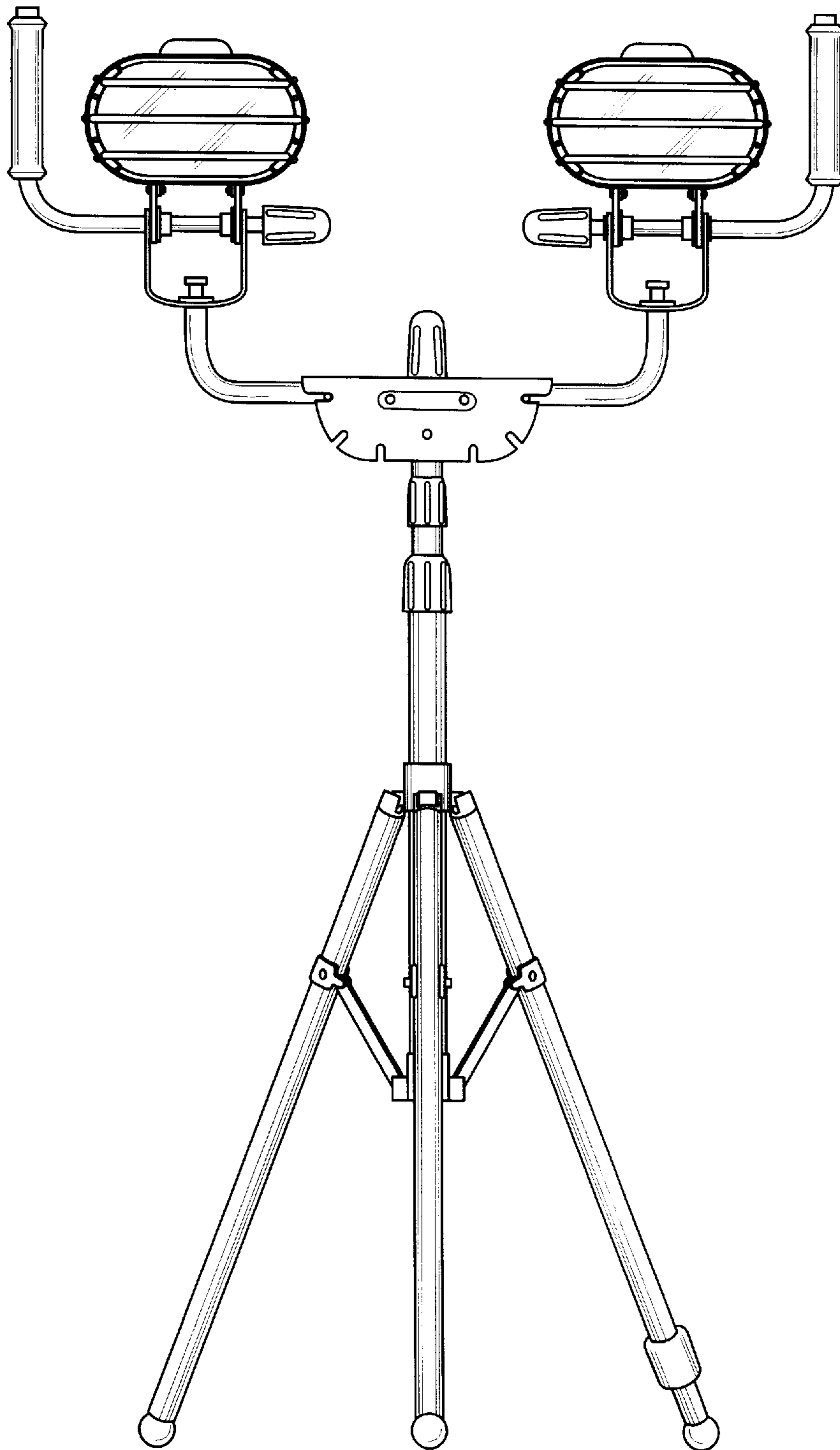


FIG. 2

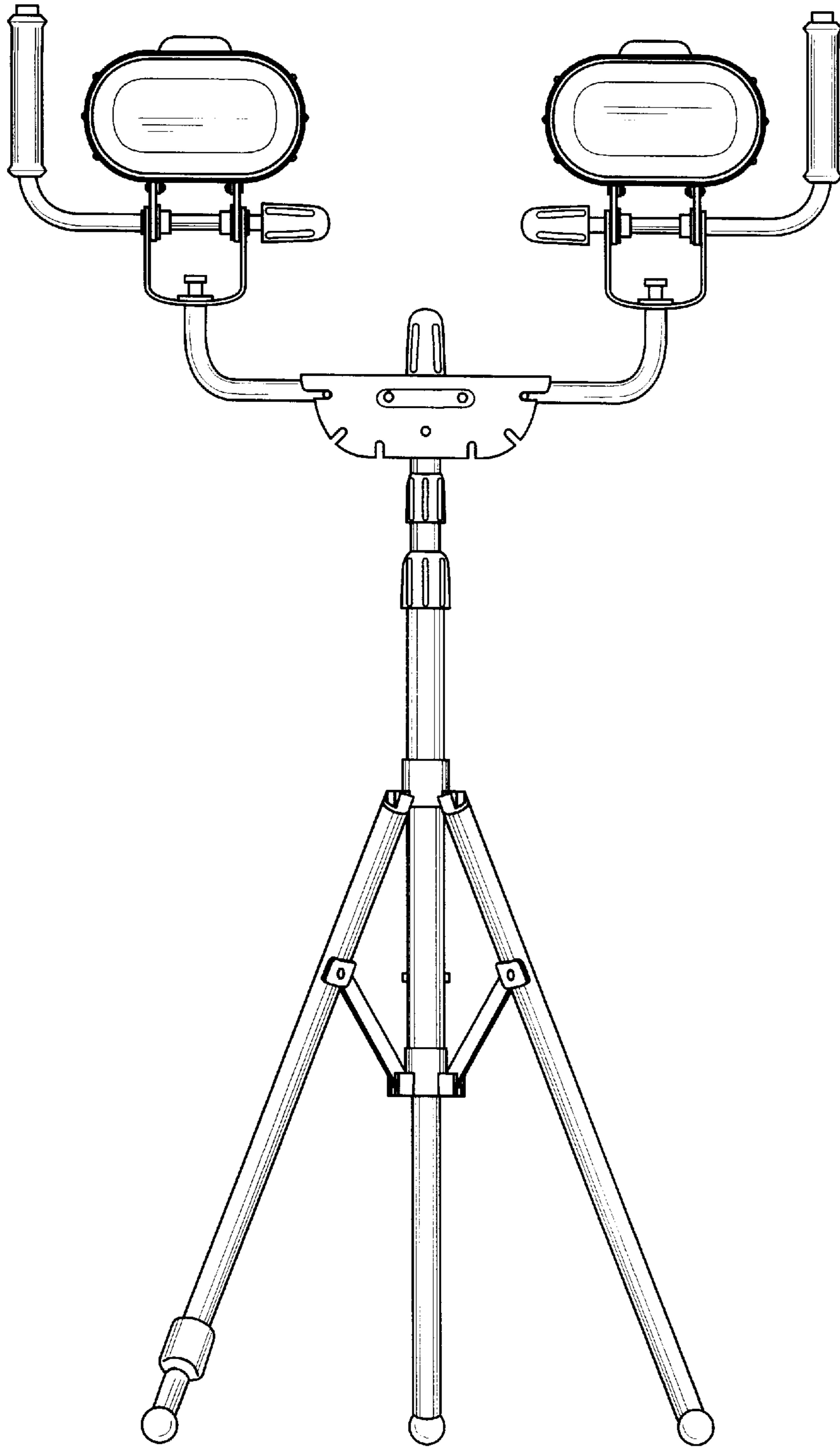


FIG. 3

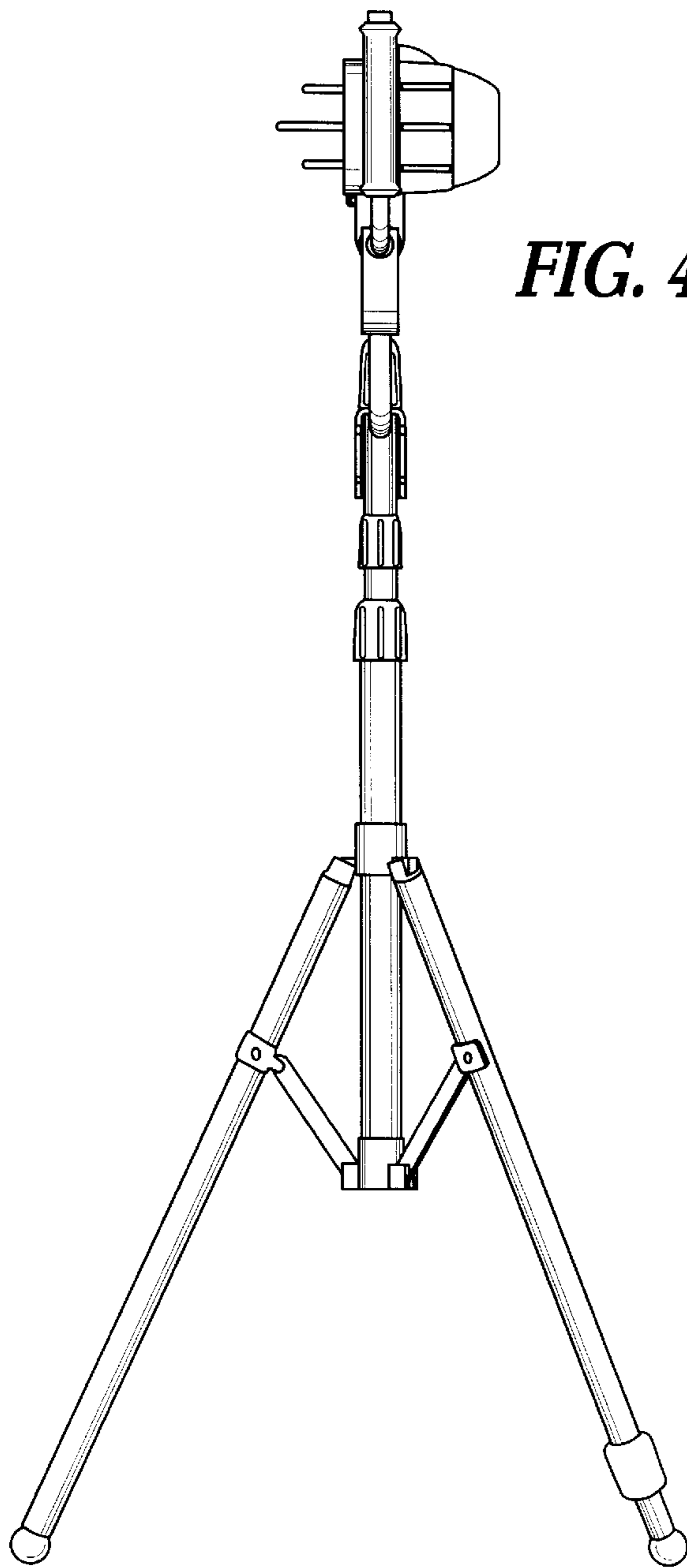


FIG. 4

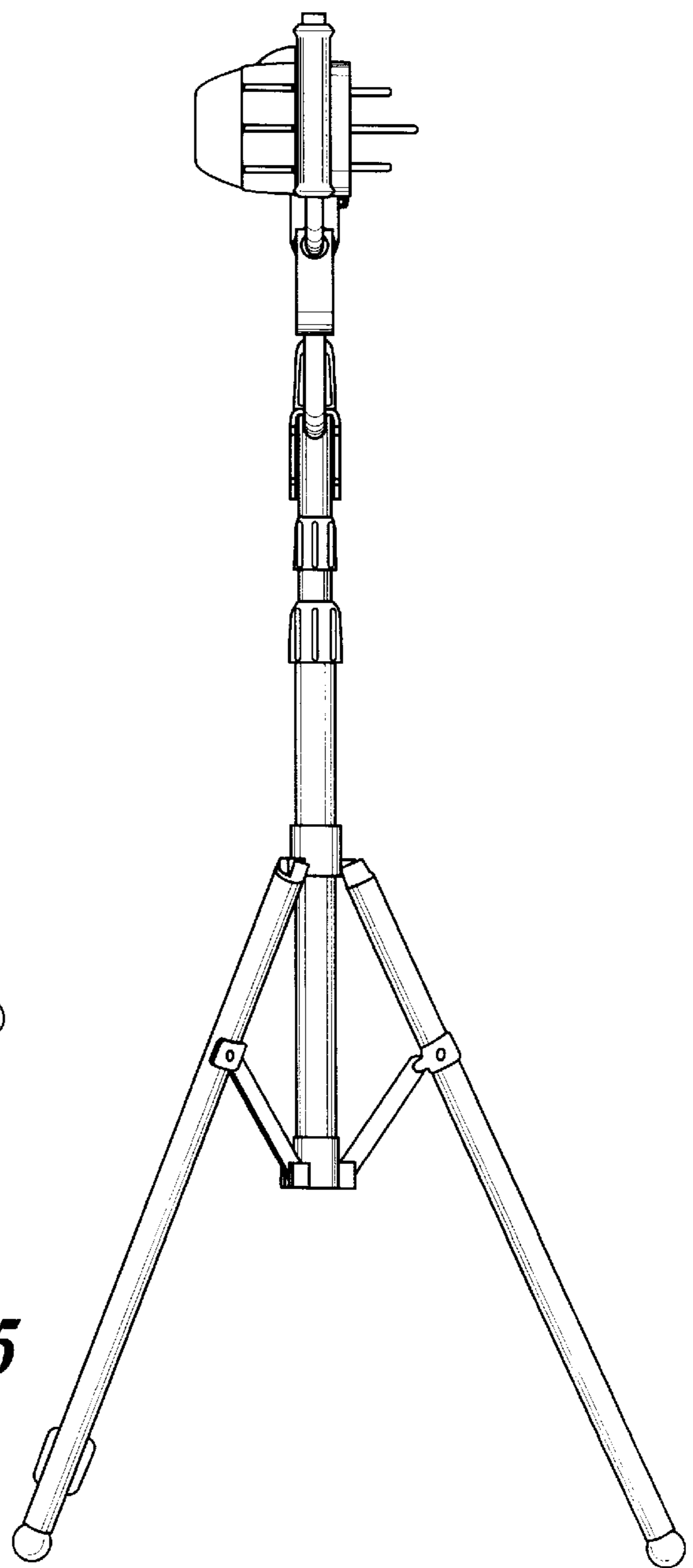


FIG. 5

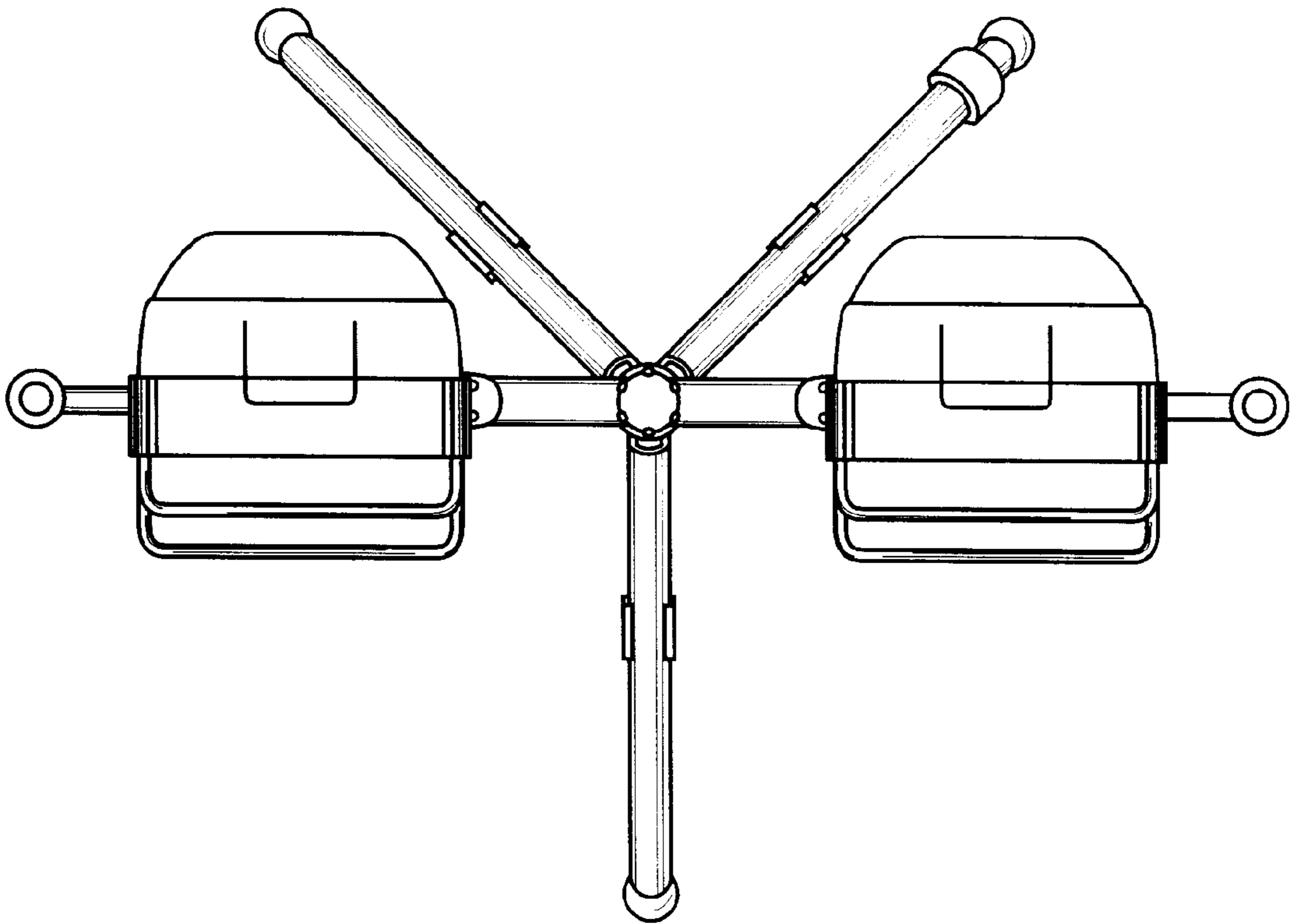


FIG. 6