



US00D475799S

(12) **United States Design Patent**
Kovacik et al.

(10) **Patent No.:** **US D475,799 S**
(45) **Date of Patent:** **** Jun. 10, 2003**

(54) **ARTICULATING ARM LIGHT**

OTHER PUBLICATIONS

(75) Inventors: **James D. Kovacik**, Brecksville, OH (US); **Paul S. Blanch**, Broadview Heights, OH (US); **Joseph J. Smith**, Wooster, OH (US)

Sunnex Halogen Work Lamps Bulletin L9306, received Jul., 1993, gooseneck lamps and bases on p. 2 and Task/OEM lamps and bases on p. 8.*

* cited by examiner

(73) Assignee: **Alert Lite Safety Products Co., Inc.**, Bedford Hts., OH (US)

Primary Examiner—Alan P. Douglas
Assistant Examiner—Linda Brooks

(**) Term: **14 Years**

(74) *Attorney, Agent, or Firm*—MacMillan, Sobanski & Todd, LLC

(21) Appl. No.: **29/160,800**

(57) **CLAIM**

(22) Filed: **May 16, 2002**

We claim the ornamental design for an articulating arm light, as shown.

(51) **LOC (7) Cl.** **26-05**

(52) **U.S. Cl.** **D26/65**

(58) **Field of Search** D26/61-66, 93-112;
362/194, 266, 269-289

DESCRIPTION

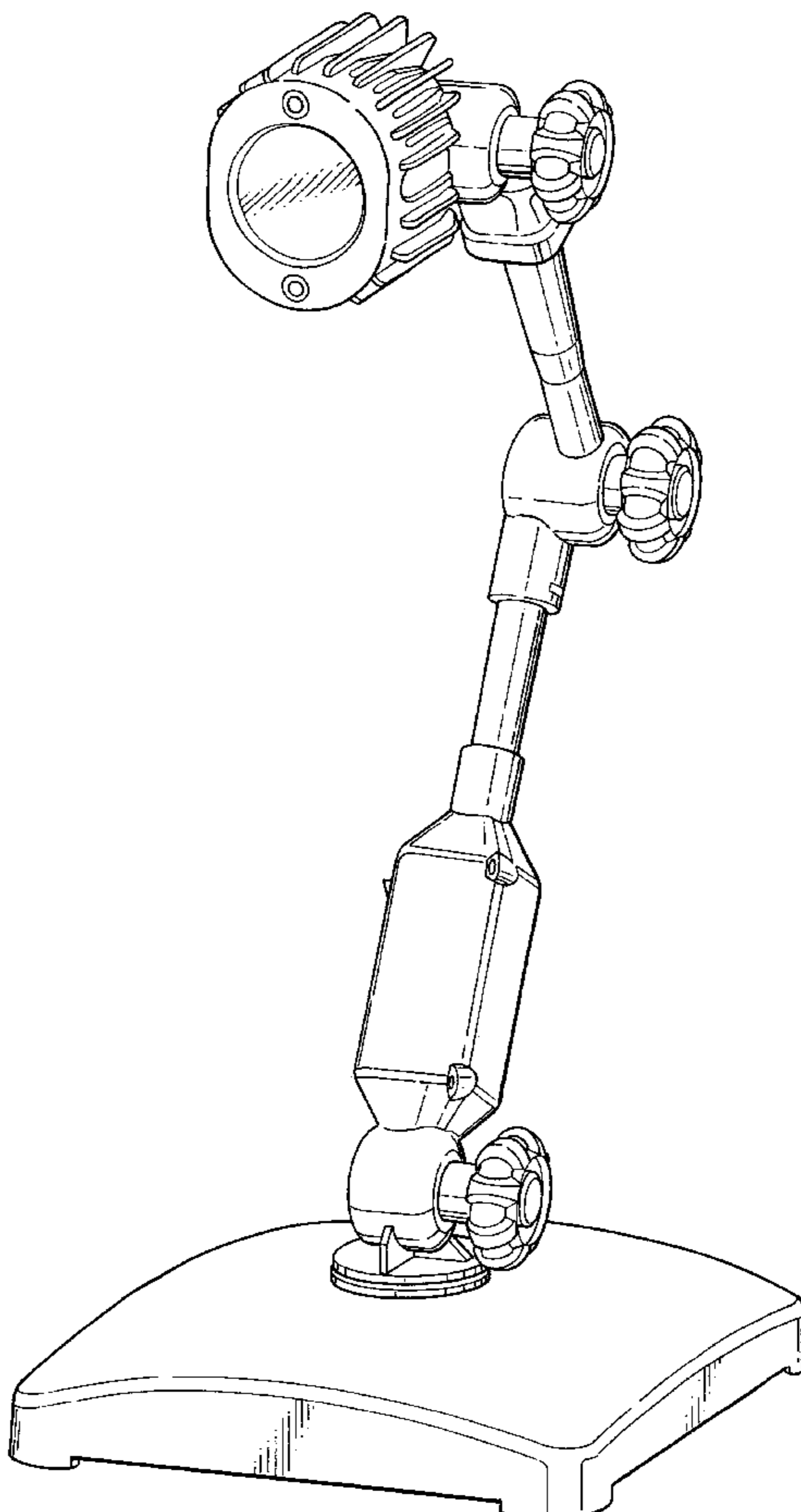
FIG. 1 is a front perspective view of the articulating arm light of the present invention;
FIG. 2 is a left side perspective view thereof;
FIG. 3 is a rear perspective view thereof;
FIG. 4 is a front elevation view thereof;
FIG. 5 is a right side elevation view thereof;
FIG. 6 is a rear elevation view thereof; and,
FIG. 7 is a left side elevation view thereof.

(56) **References Cited**

U.S. PATENT DOCUMENTS

4,494,177 A	1/1985	Matthews
4,774,467 A	9/1988	Kovacik et al.
5,016,153 A	5/1991	Gismondi et al.
5,303,136 A	4/1994	Brown
5,548,496 A	8/1996	Hart et al.

1 Claim, 7 Drawing Sheets



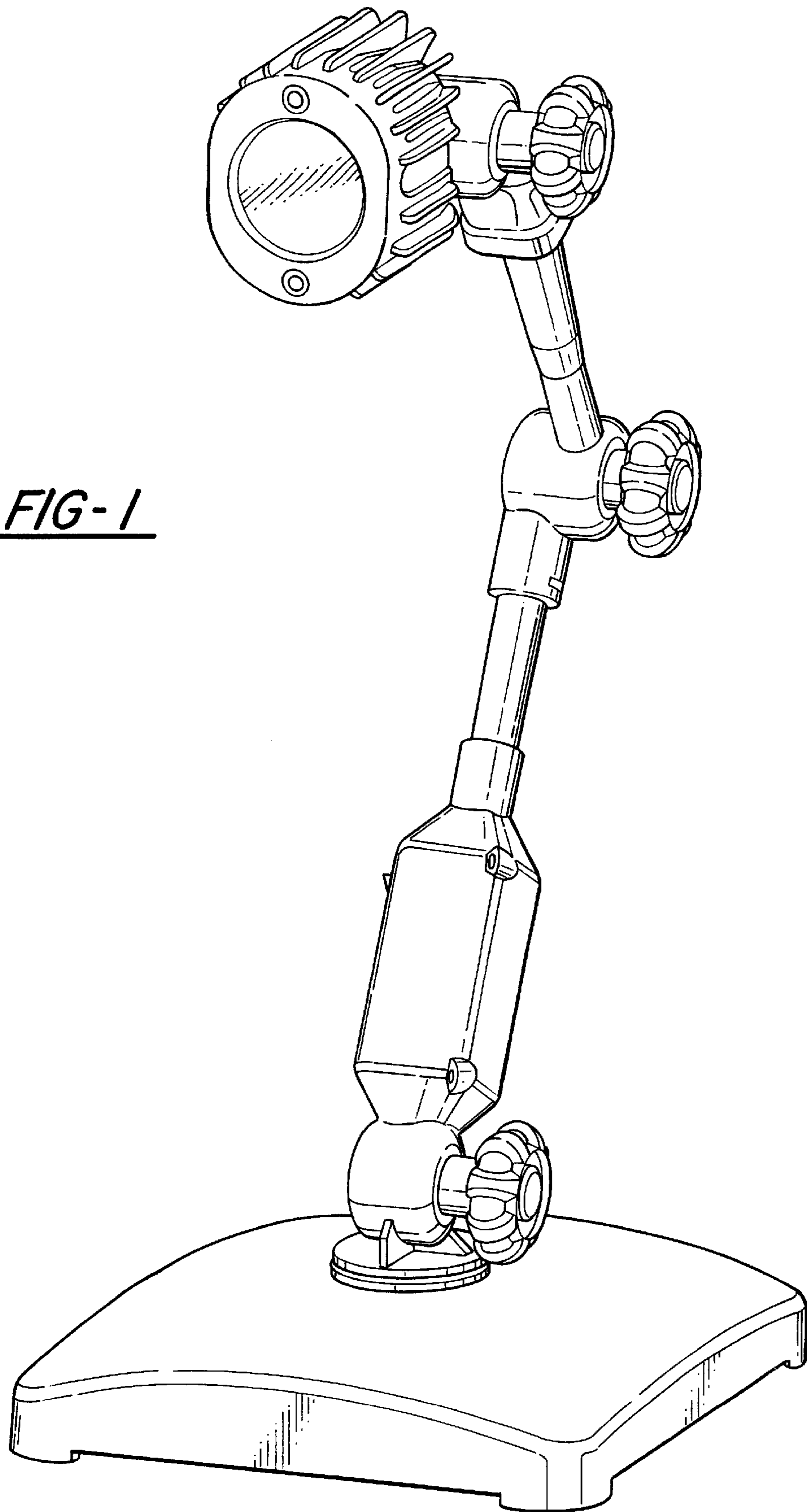


FIG-1

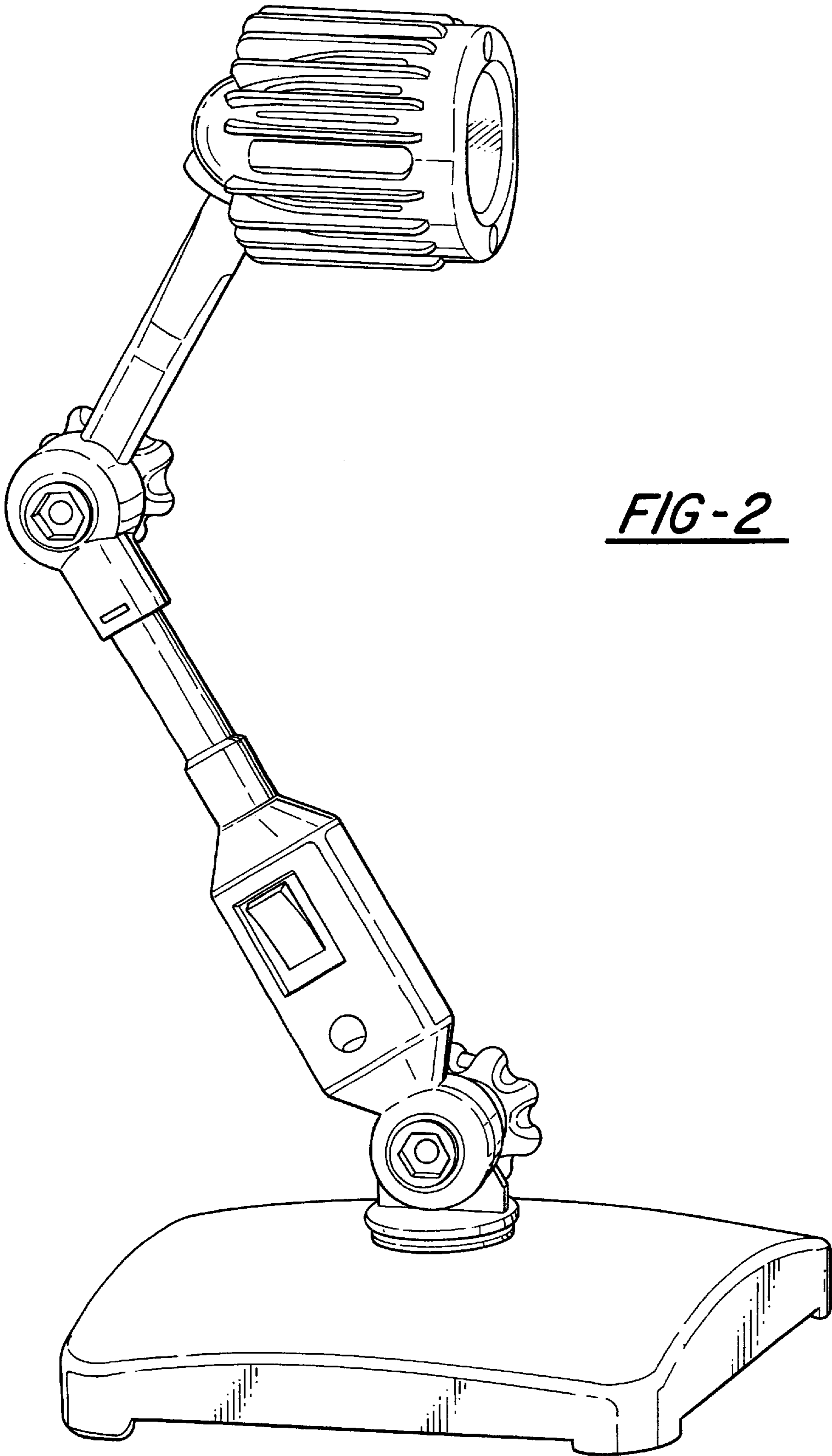


FIG-2

FIG-3

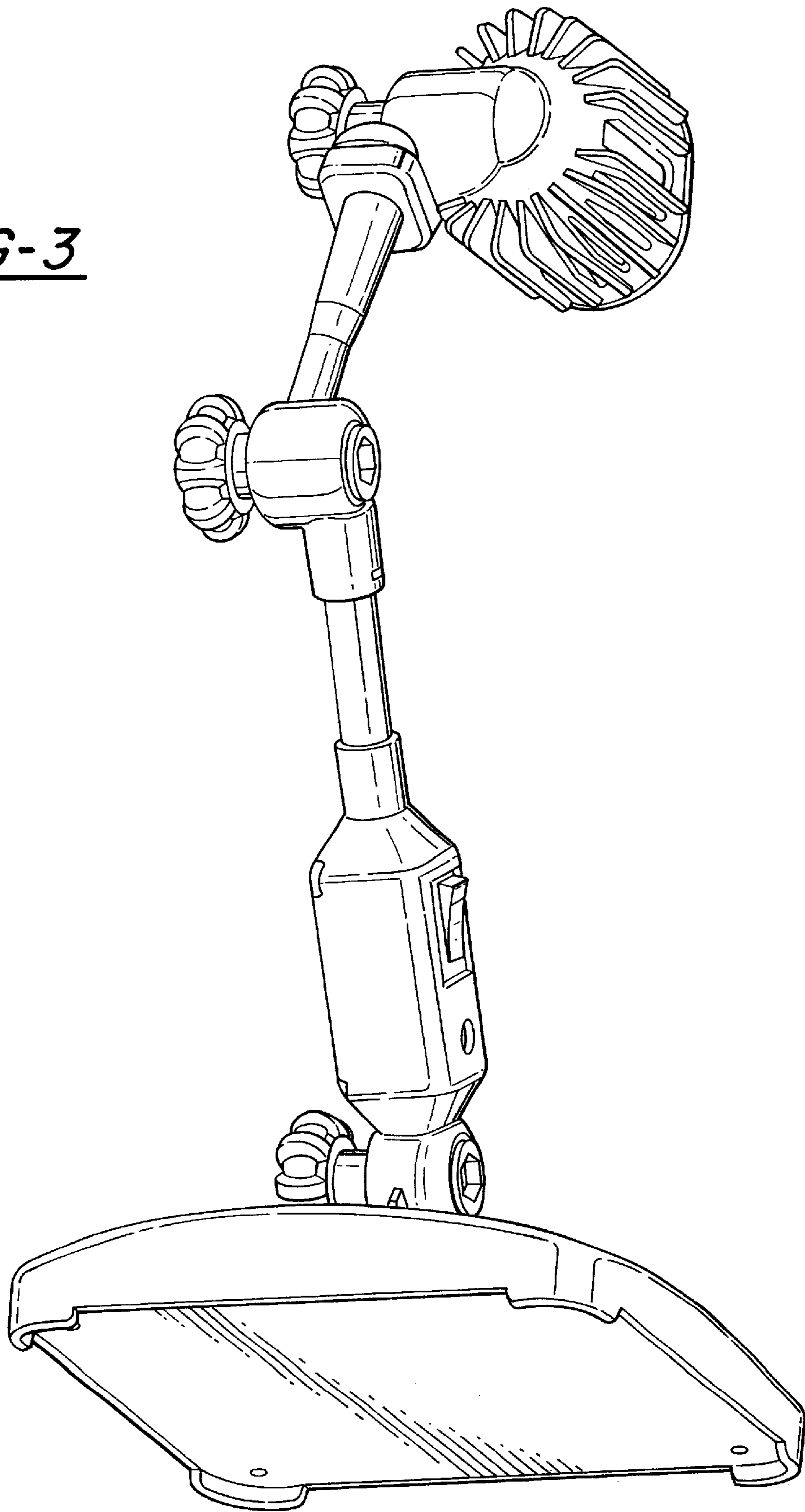
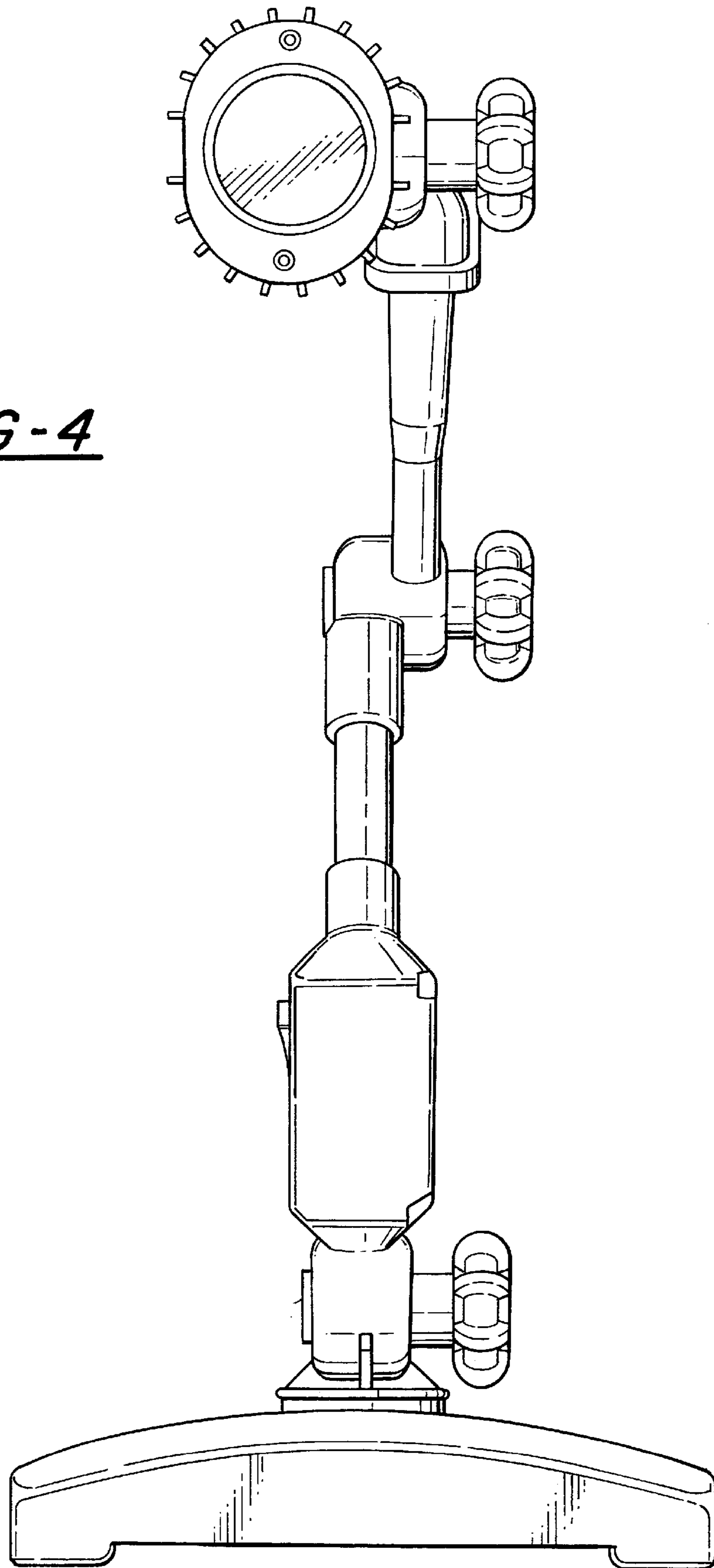


FIG - 4



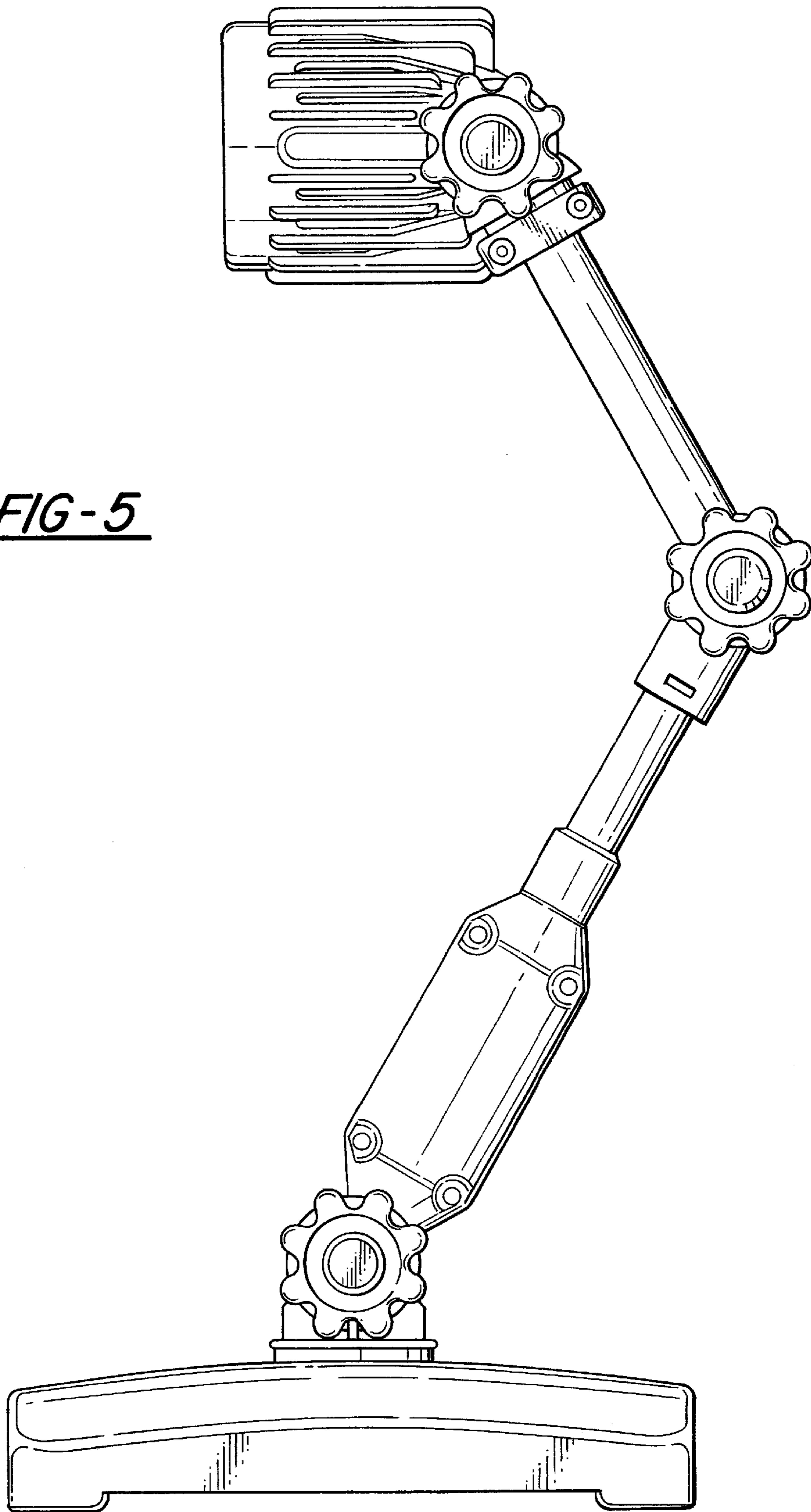
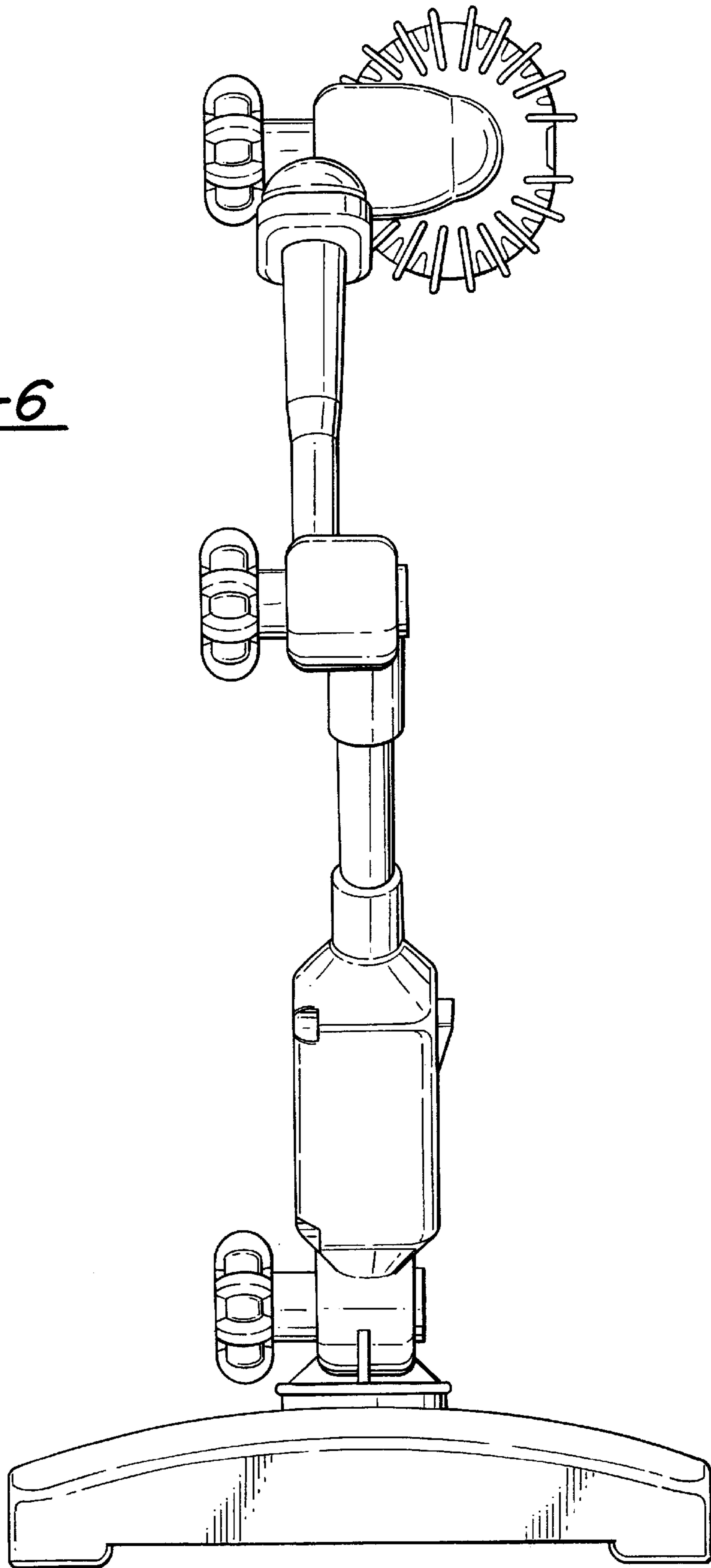


FIG-6



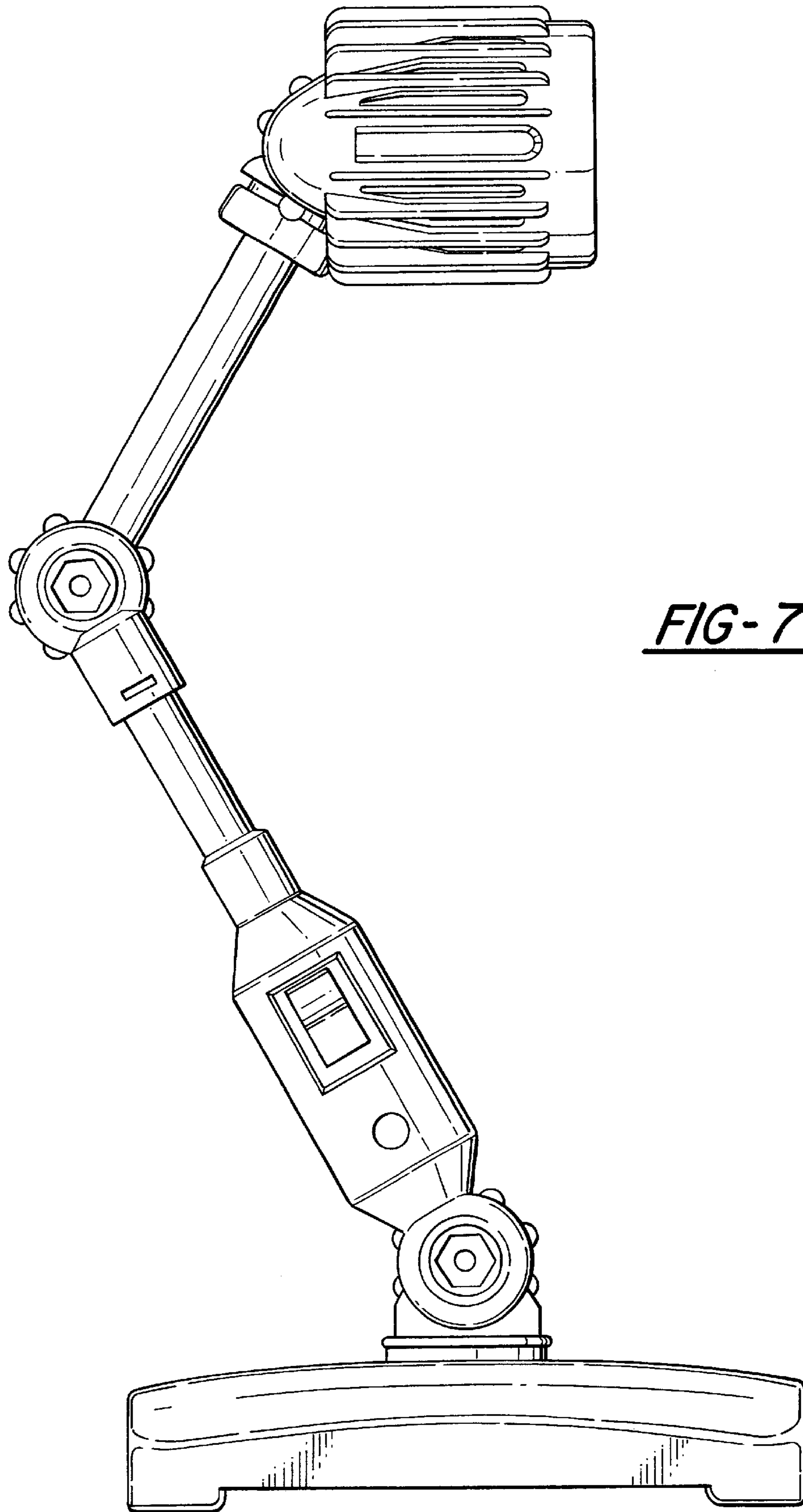


FIG-7