



US00D475794S

(12) **United States Design Patent**
Ishigaki et al.

(10) **Patent No.:** **US D475,794 S**

(45) **Date of Patent:** **** Jun. 10, 2003**

(54) **TABLET CUTTING MACHINE**

(75) Inventors: **Hiroya Ishigaki**, Osaka-fu (JP);
Masatoshi Okuda, Osaka-fu (JP);
Norioki Fujimoto, Osaka-fu (JP);
Tetsuo Sakurai, Osaka-fu (JP); **Koji Ono**, Osaka-fu (JP); **Motohiko Kosano**, Osaka-fu (JP)

(73) Assignee: **Sanyo Electric Co., Ltd.**, Osaka-fu (JP)

(**) Term: **14 Years**

(21) Appl. No.: **29/157,056**

(22) Filed: **Mar. 12, 2002**

(30) **Foreign Application Priority Data**

Dec. 4, 2001 (JP) 2001-035743
Dec. 4, 2001 (JP) 2001-035744

(51) **LOC (7) Cl.** **24-02**

(52) **U.S. Cl.** **D24/220**

(58) **Field of Search** D24/220; 414/412,
414/404, 417, 411; 53/514, 381.02, 513,
493, 237, 55, 492; 221/30, 119, 122, 121,
164, 154; 30/124

(56) **References Cited**

U.S. PATENT DOCUMENTS

4,428,709 A * 1/1984 Peters 414/412

4,604,847 A * 8/1986 Moulding, Jr. et al. 53/381.2
4,975,015 A * 12/1990 Harding 414/412
5,460,471 A * 10/1995 Connor et al. 414/412
6,050,064 A * 4/2000 Yuyama et al. 53/514
6,073,799 A * 6/2000 Yuyama et al. 221/154
6,286,714 B1 * 9/2001 Pearson et al. 221/164

* cited by examiner

Primary Examiner—Ian Simmons

(74) *Attorney, Agent, or Firm*—Weingarten, Schurgin,
Gagnebin & Lebovici LLP

(57) **CLAIM**

The ornamental design for a tablet cutting machine, as shown and described.

DESCRIPTION

FIG. 1 is a top plan view of a cutting machine of the invention;

FIG. 2 is a front elevation view thereof;

FIG. 3 is a left side elevation view thereof;

FIG. 4 is a right side elevation view thereof;

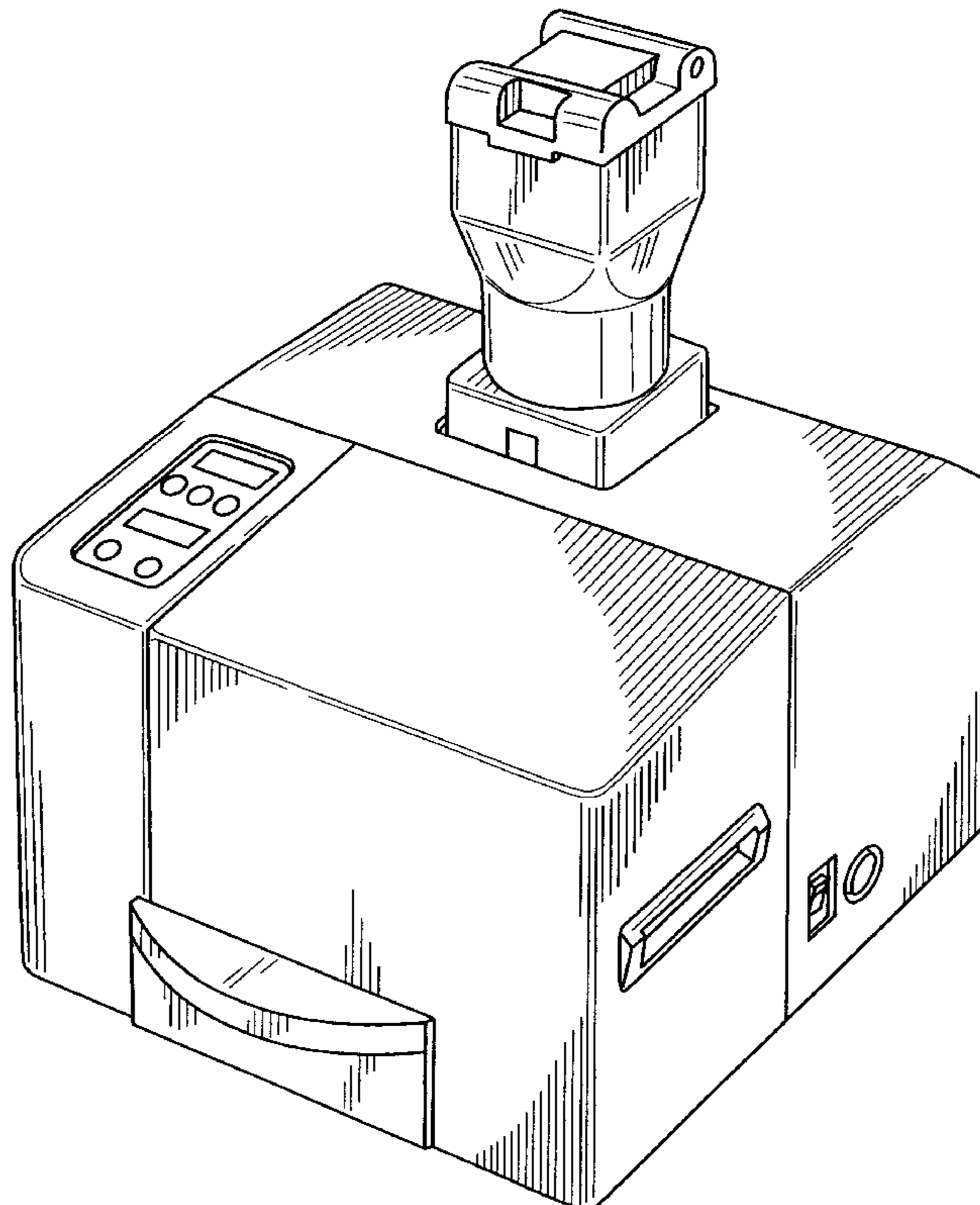
FIG. 5 is a back plan view thereof;

FIG. 6 is a bottom plan view thereof;

FIG. 7 is a top, left and front perspective view thereof; and,

FIG. 8 is a top, left and front perspective view thereof, with a receiving dish shown in open condition.

1 Claim, 8 Drawing Sheets



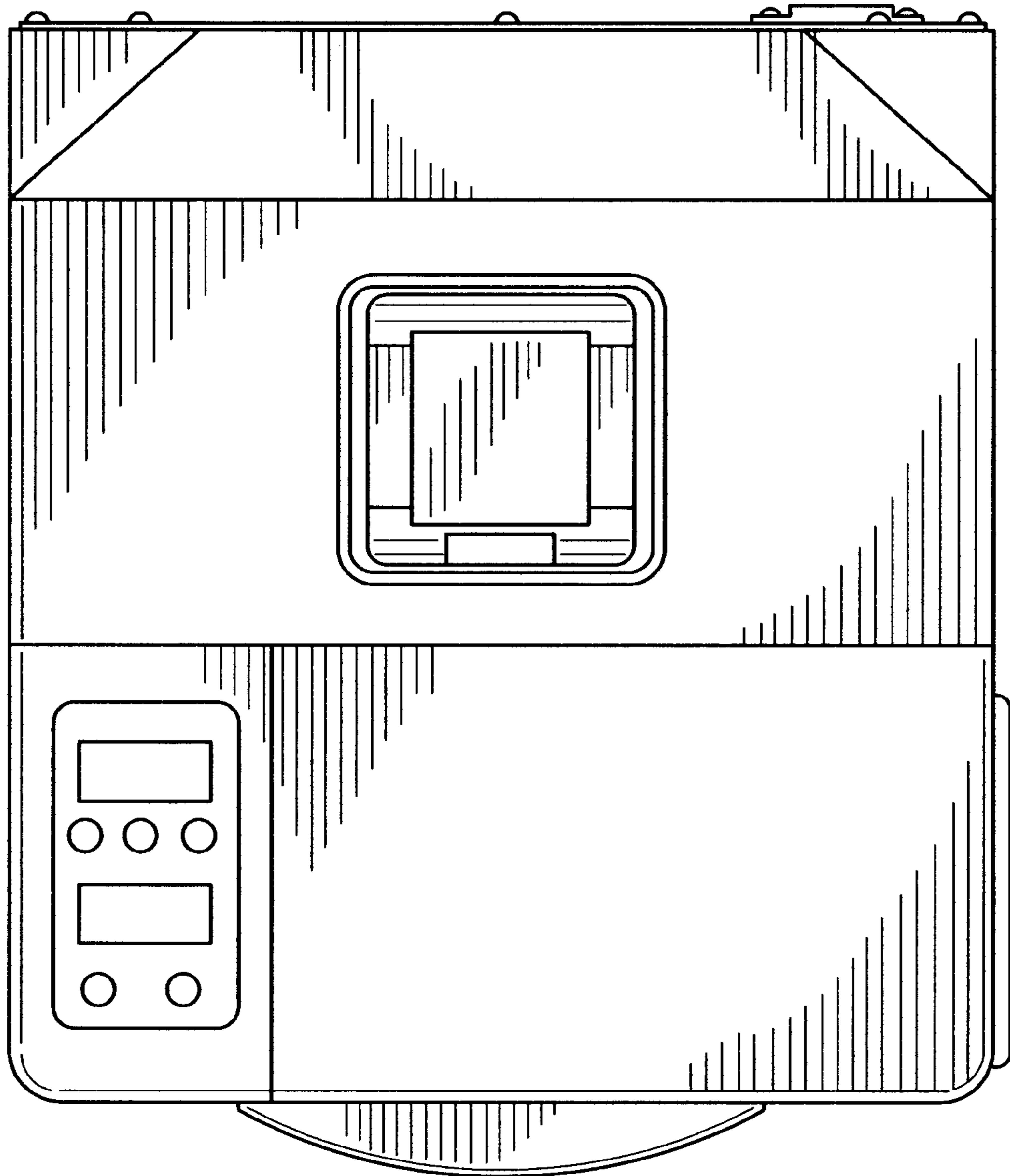


FIG. 1

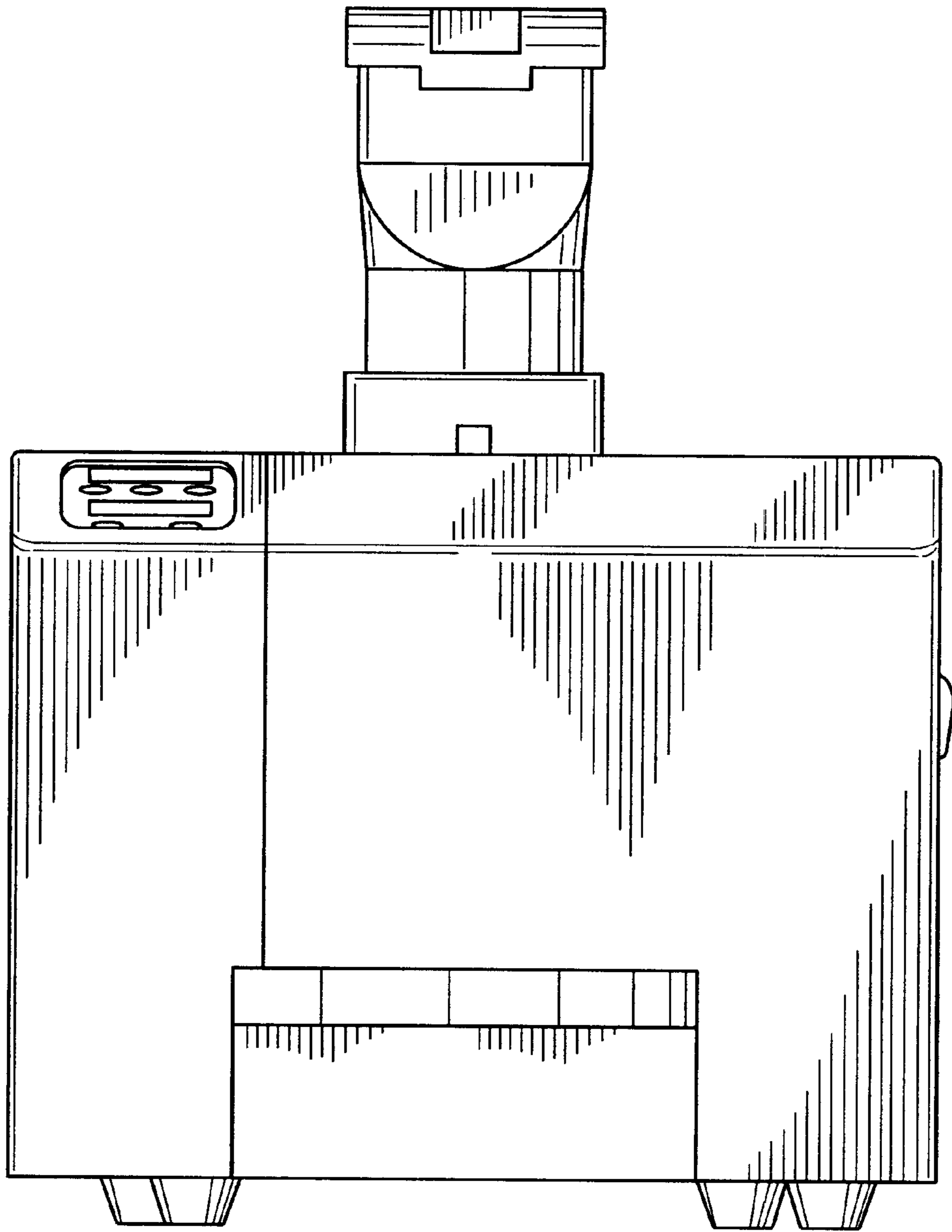


FIG. 2

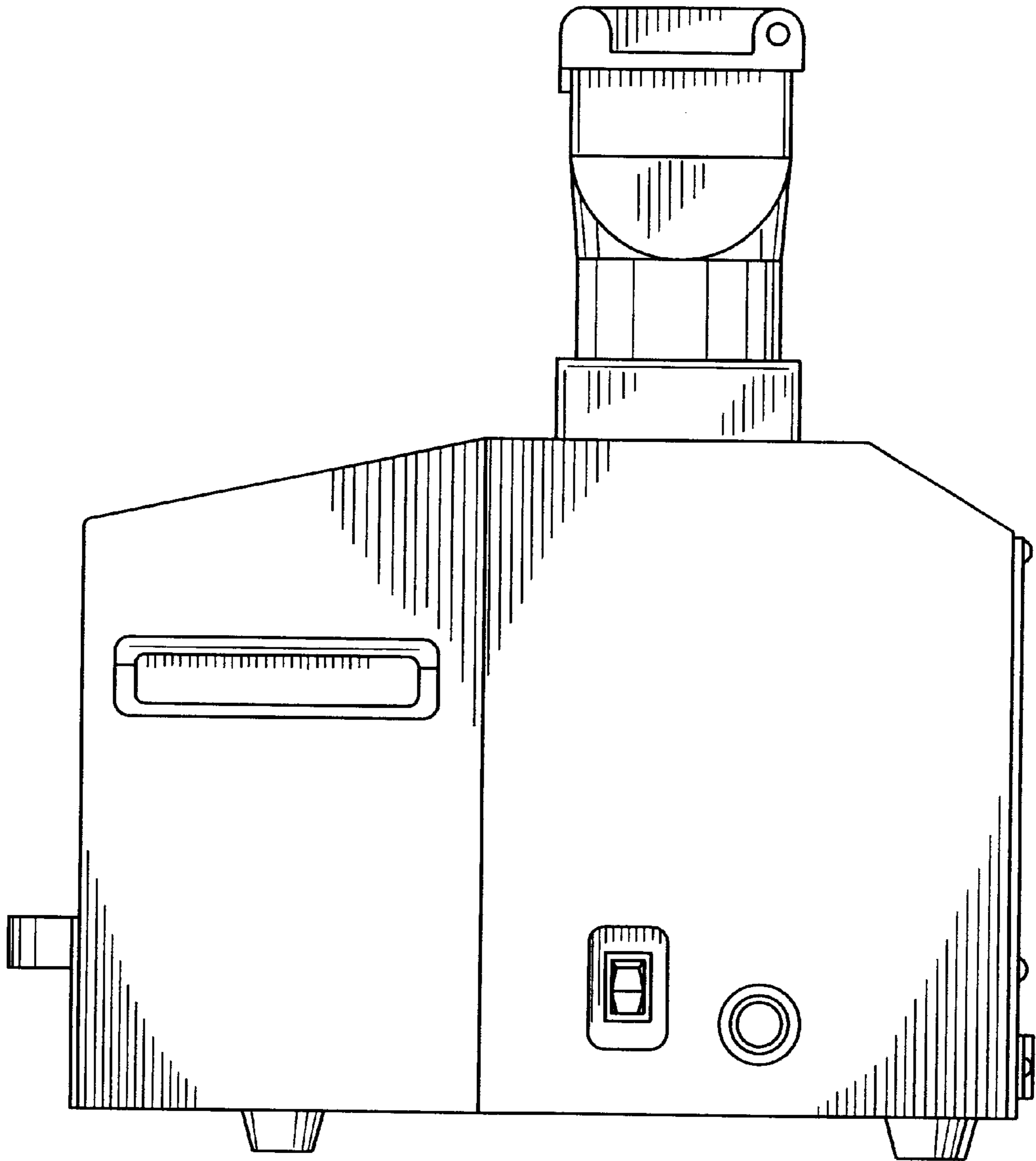


FIG. 3

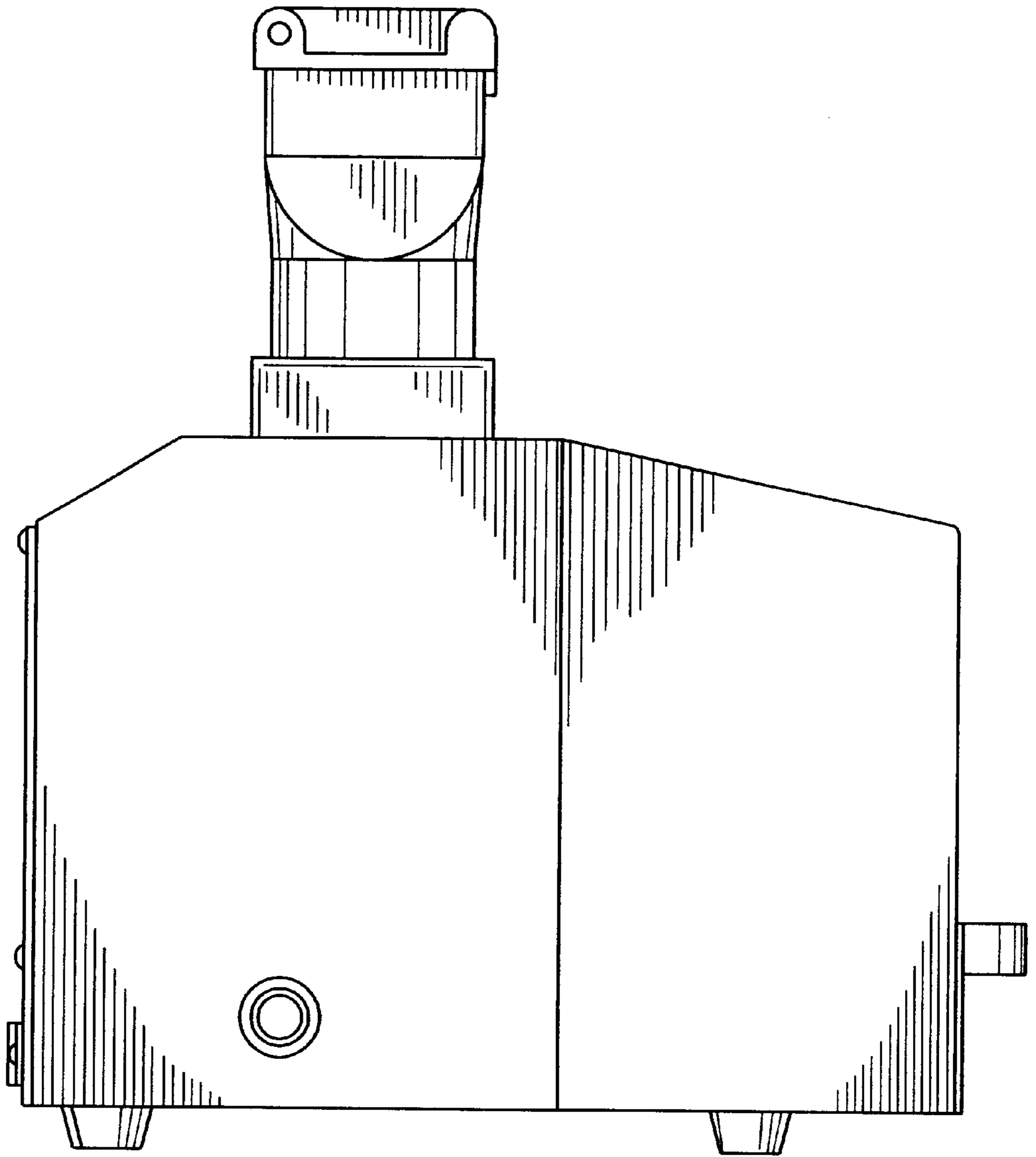


FIG. 4

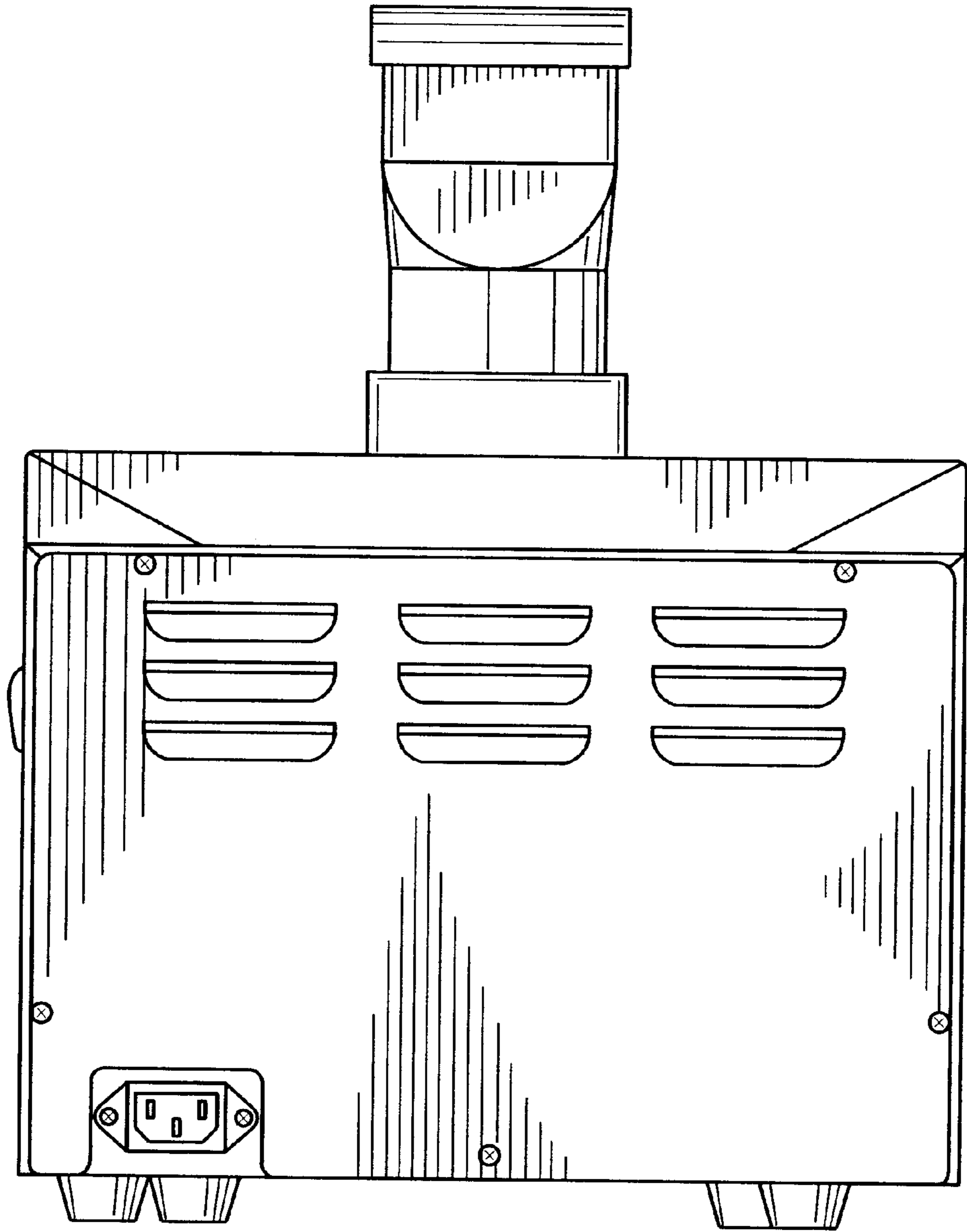


FIG. 5

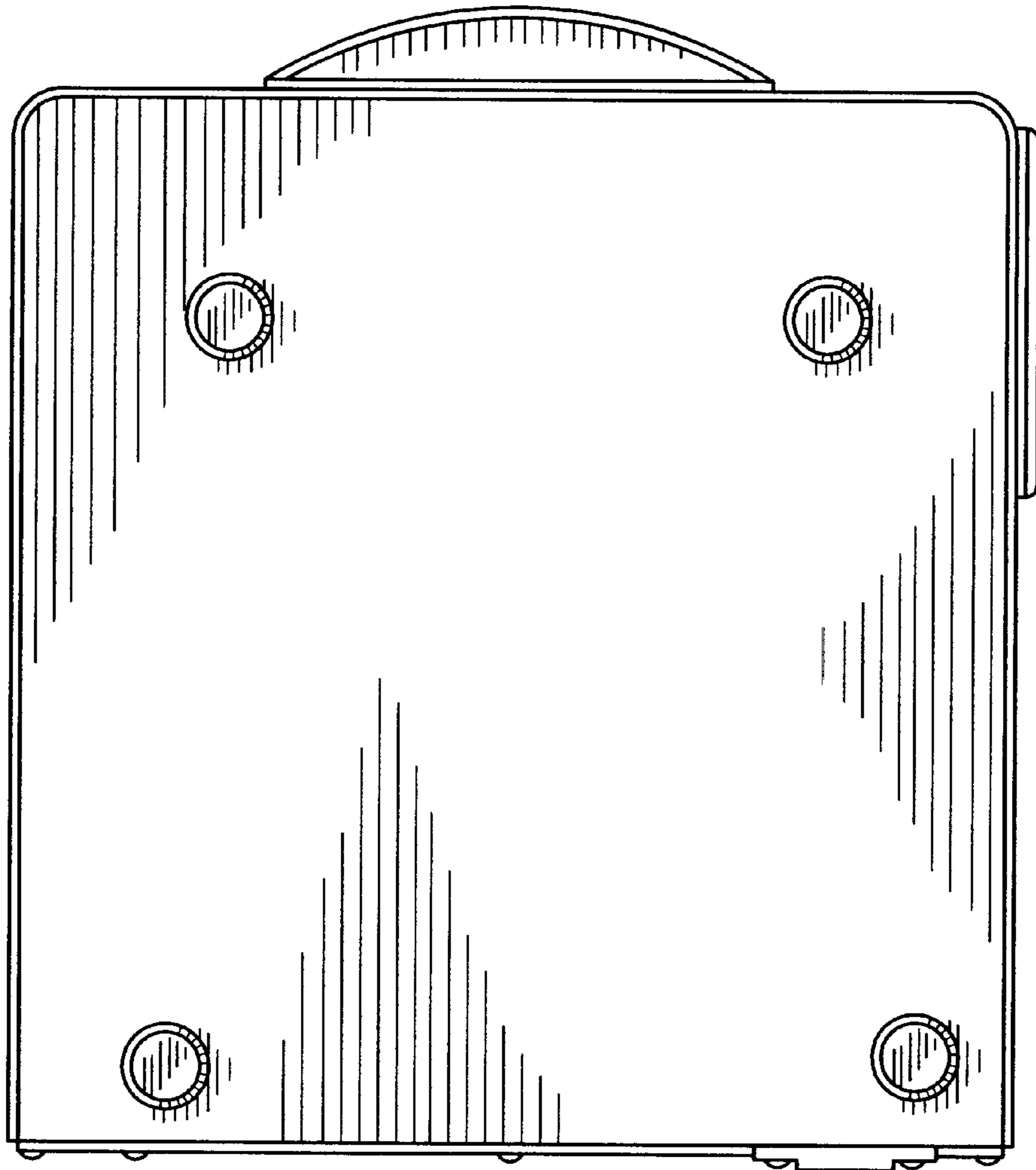


FIG. 6

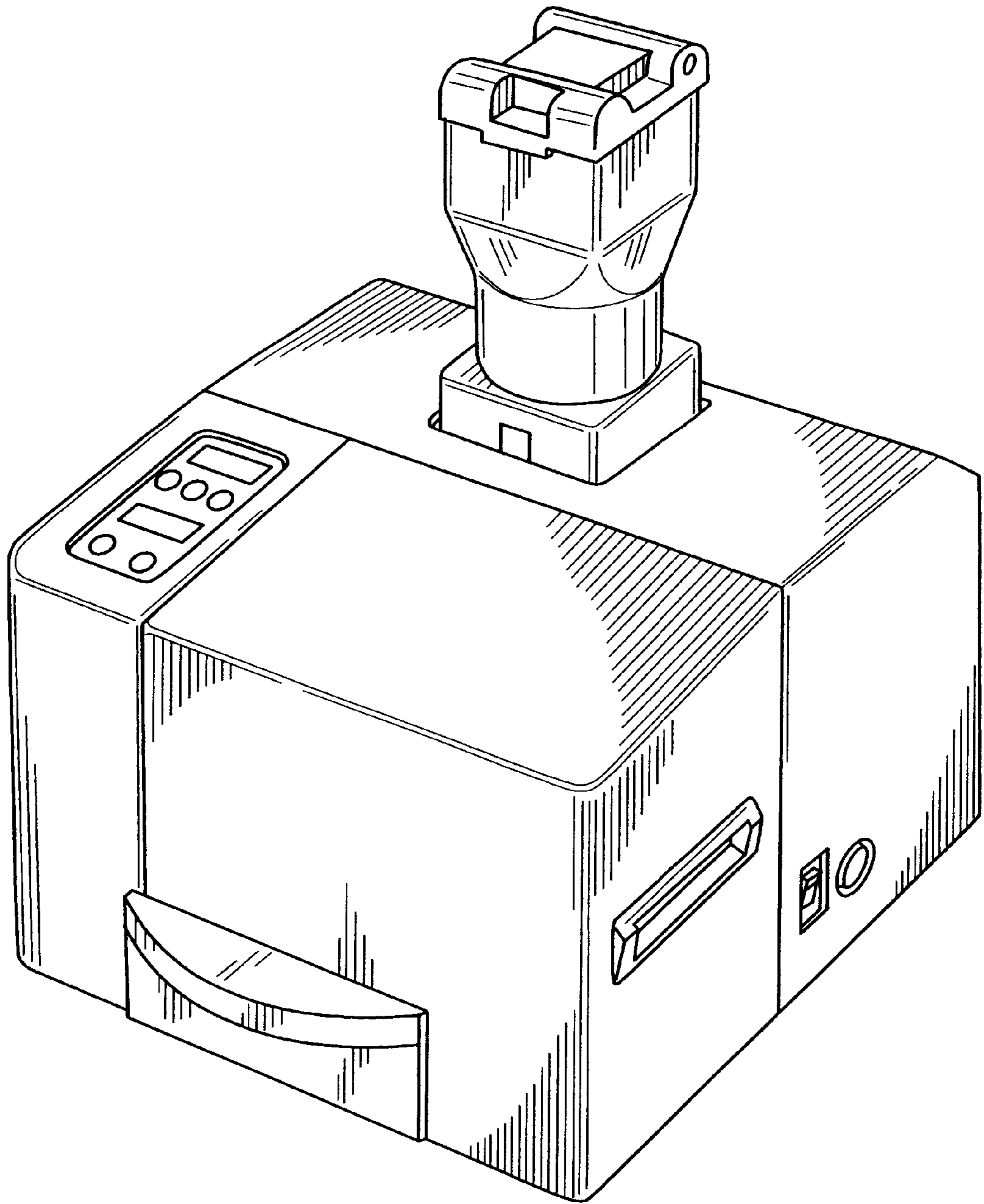


FIG. 7

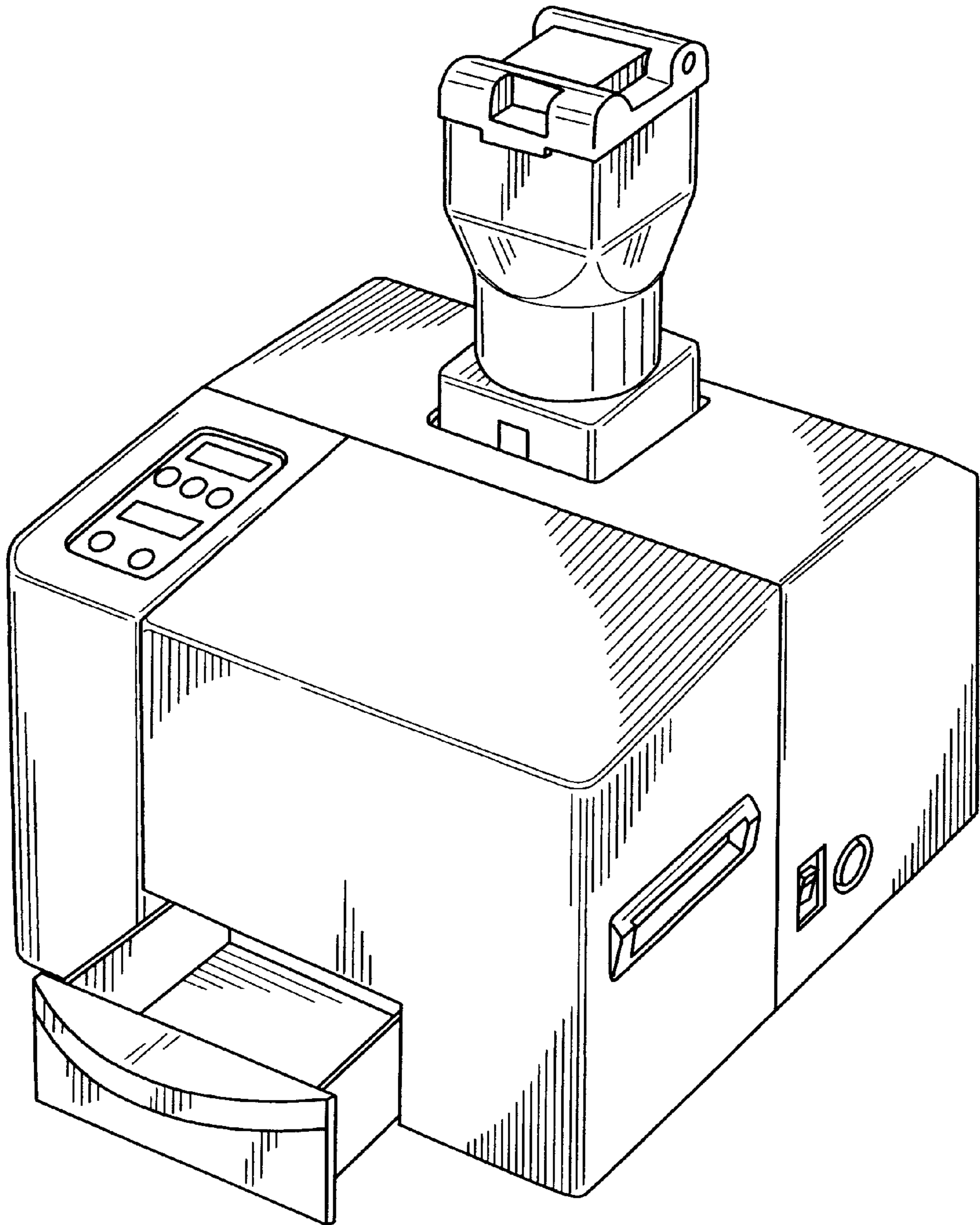


FIG. 8