



US00D475788S

(12) **United States Design Patent**  
**Inagaki et al.**

(10) **Patent No.:** **US D475,788 S**

(45) **Date of Patent:** **\*\* Jun. 10, 2003**

(54) **BLOOD PRESSURE MONITOR**

(75) Inventors: **Takashi Inagaki**, Kyoto (JP); **Minoru Taniguchi**, Kyoto (JP)

(73) Assignee: **Omron Corporation**, Kyoto (JP)

(\*\*) Term: **14 Years**

(21) Appl. No.: **29/142,281**

(22) Filed: **May 23, 2001**

(30) **Foreign Application Priority Data**

Nov. 30, 2000 (JP) ..... 2000-034205

(51) **LOC (7) Cl.** ..... **24-01**

(52) **U.S. Cl.** ..... **D24/165**

(58) **Field of Search** ..... D24/165, 167,  
D24/169; 600/481, 500, 480, 485, 493,  
494, 490, 496

(56) **References Cited**

**U.S. PATENT DOCUMENTS**

- 4,458,690 A \* 7/1984 O'Connor et al. .... 600/494
- 4,558,707 A \* 12/1985 Miyamae et al. .... 128/683
- D289,082 S \* 3/1987 Tsuji ..... D24/165
- D319,876 S \* 9/1991 Kida et al. .... D24/165
- D344,338 S \* 2/1994 Yoshikawa et al. .... D24/165
- 6,190,326 B1 \* 2/2001 McKinnon et al. .... 600/529
- D445,190 S \* 7/2001 Byler et al. .... D24/165

\* cited by examiner

*Primary Examiner*—Stella Reid

(74) *Attorney, Agent, or Firm*—Dickstein Shapiro Morin & Oshinsky LLP

(57) **CLAIM**

The ornamental design for a blood pressure monitor, as shown and described.

**DESCRIPTION**

FIG. 1 is a front view showing our new design for a blood pressure monitor;

FIG. 2 is a rear view of the blood pressure monitor of FIG. 1;

FIG. 3 is a top view of the blood pressure monitor of FIG. 1;

FIG. 4 is a bottom view of the blood pressure monitor of FIG. 1;

FIG. 5 is a right side view of the blood pressure monitor of FIG. 1;

FIG. 6 is a left side view of the blood pressure monitor of FIG. 1;

FIG. 7 is a perspective view of the blood pressure monitor of FIG. 1;

FIG. 8 is a front view of the blood pressure monitor of FIG. 1 with the cover open;

FIG. 9 is a top view of the blood pressure monitor of FIG. 1 with the cover open;

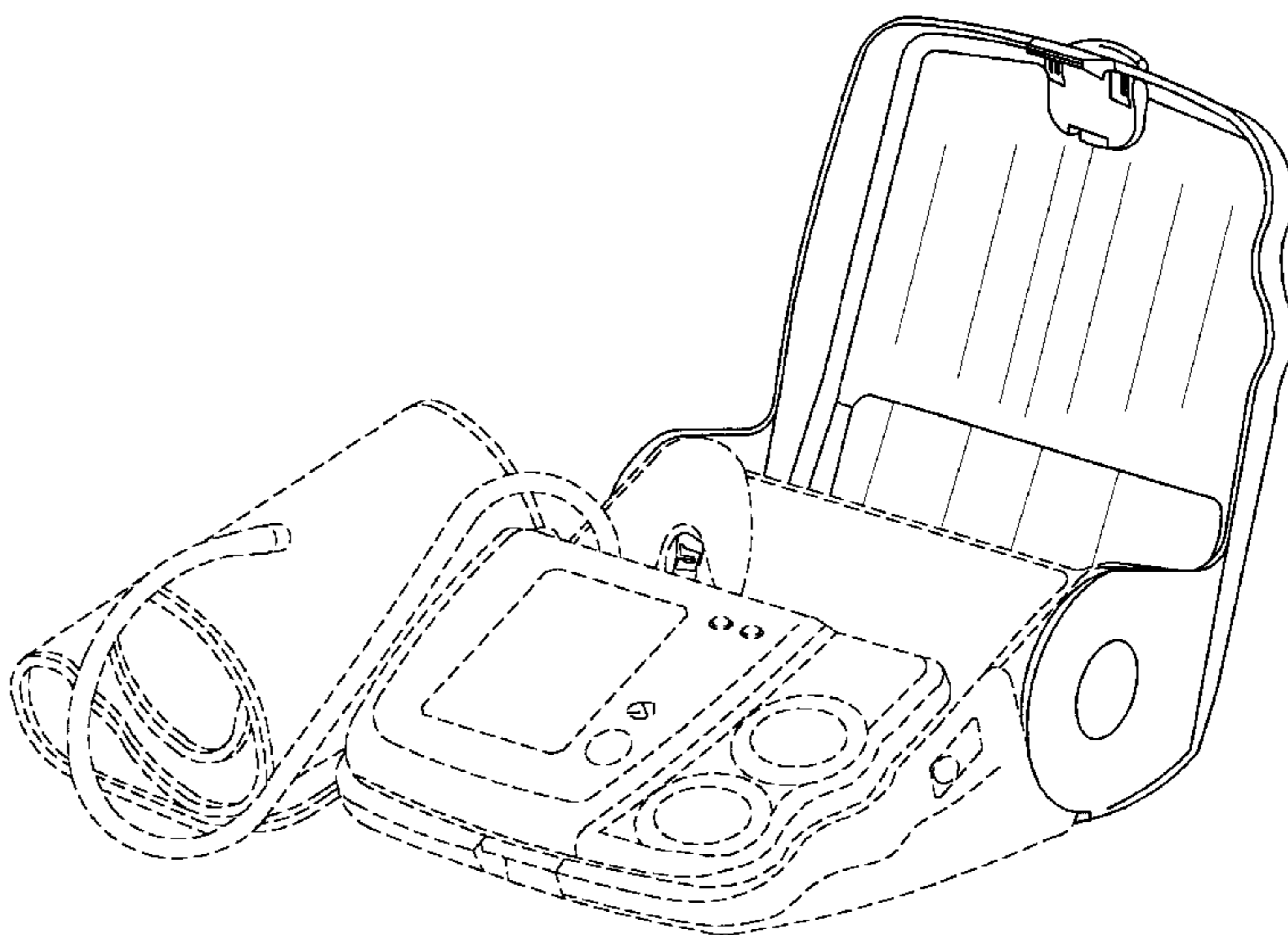
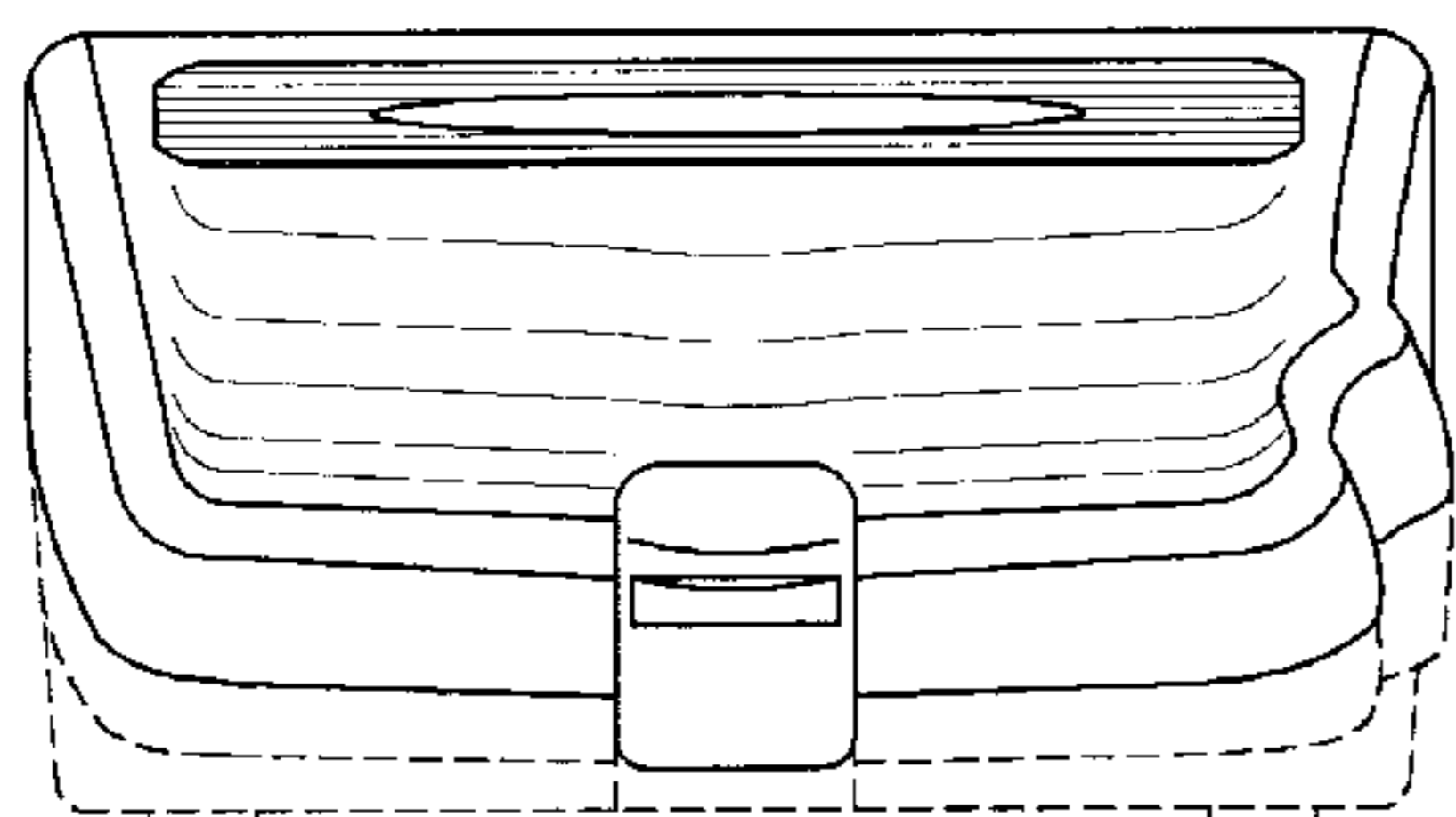
FIG. 10 is a right side view of the blood pressure monitor of FIG. 1 with the cover open;

FIG. 11 is a perspective view of the blood pressure monitor of FIG. 1 with the cover open; and,

FIG. 12 is a perspective view of the blood pressure monitor of FIG. 1 showing the state of use.

The broken line showing in FIGS. 1, 2 and 4–12 is for illustrative purposes only and forms no part of the claimed design.

**1 Claim, 7 Drawing Sheets**



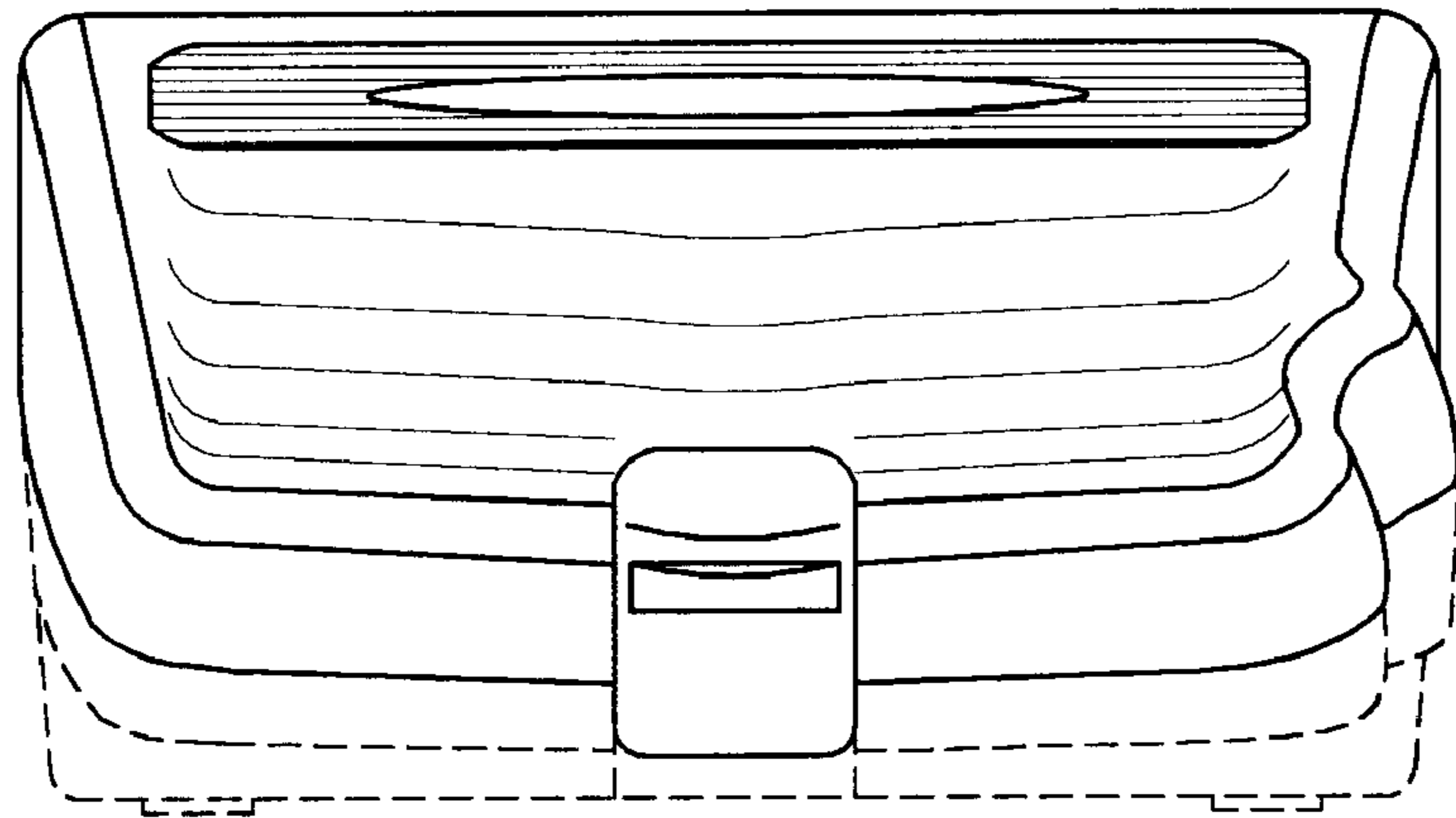


Fig. 1

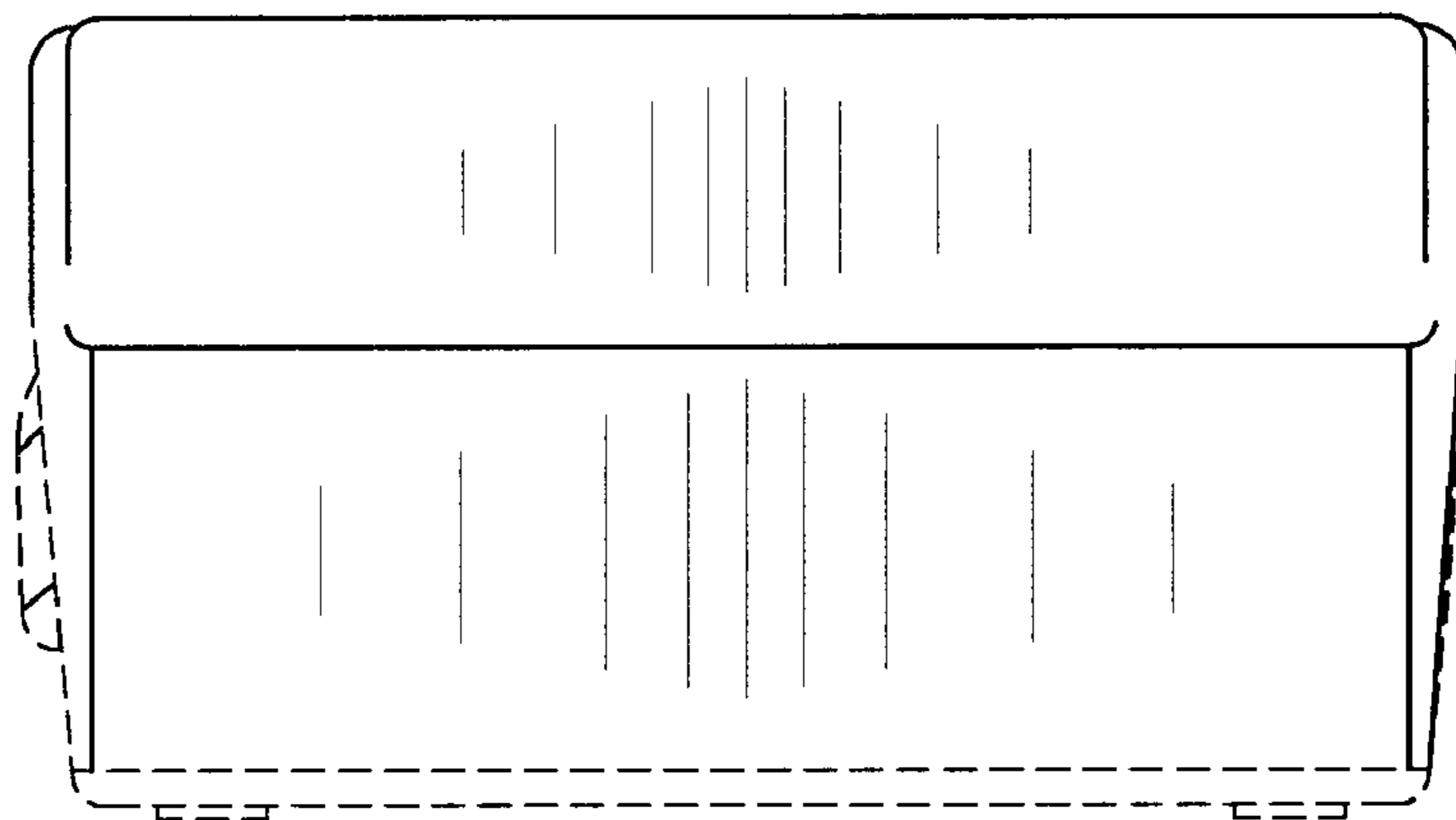


Fig. 2

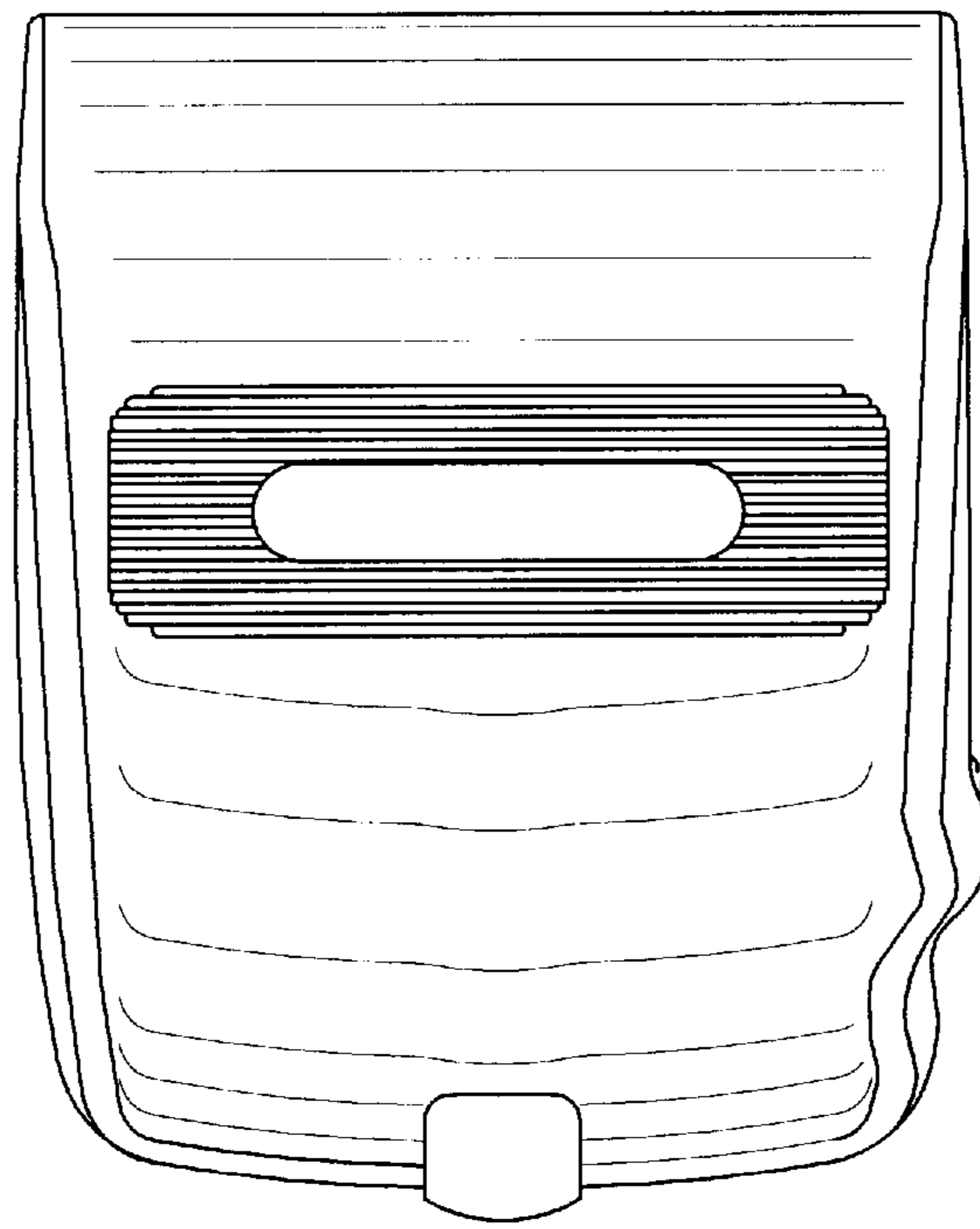


Fig. 3

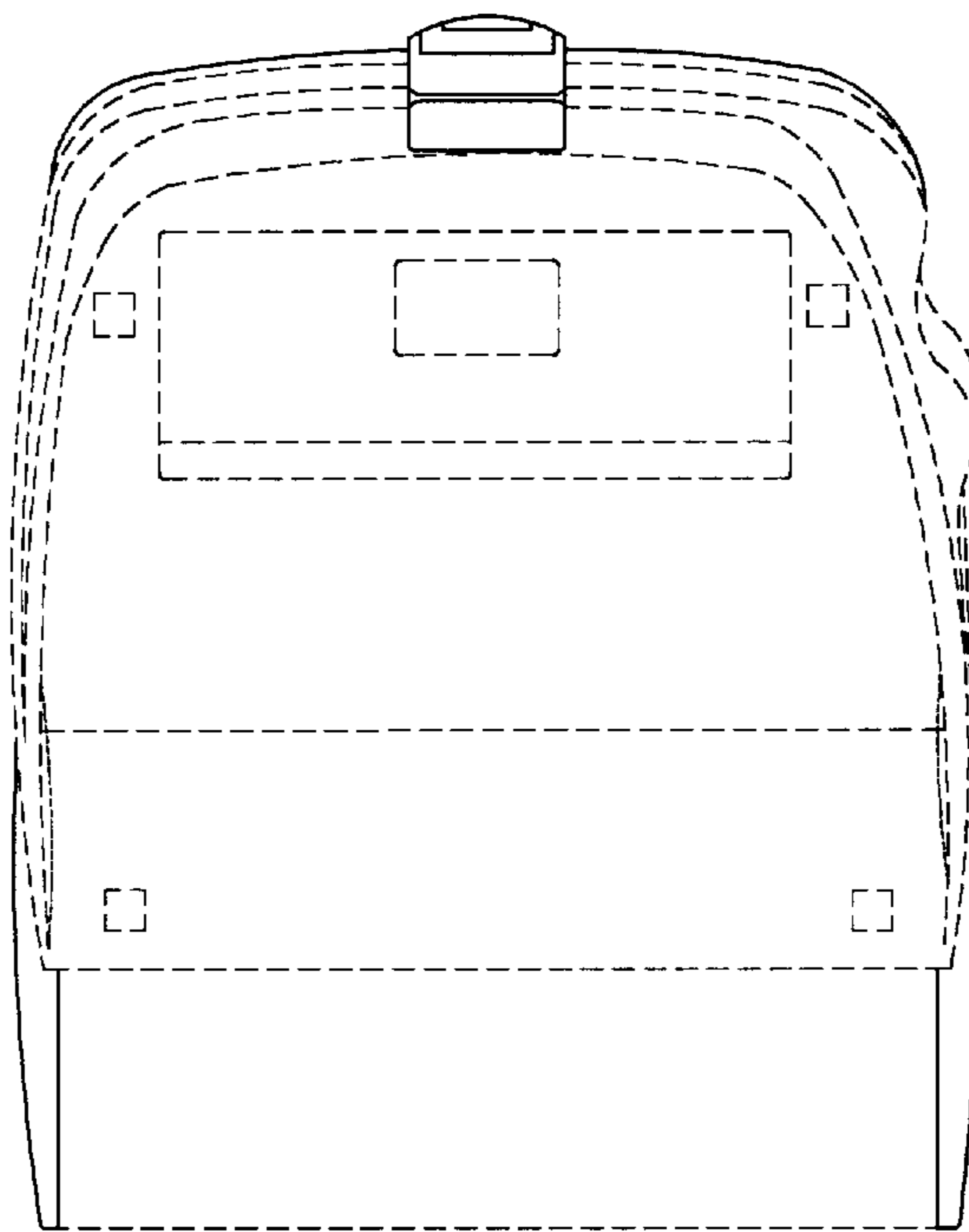


Fig. 4

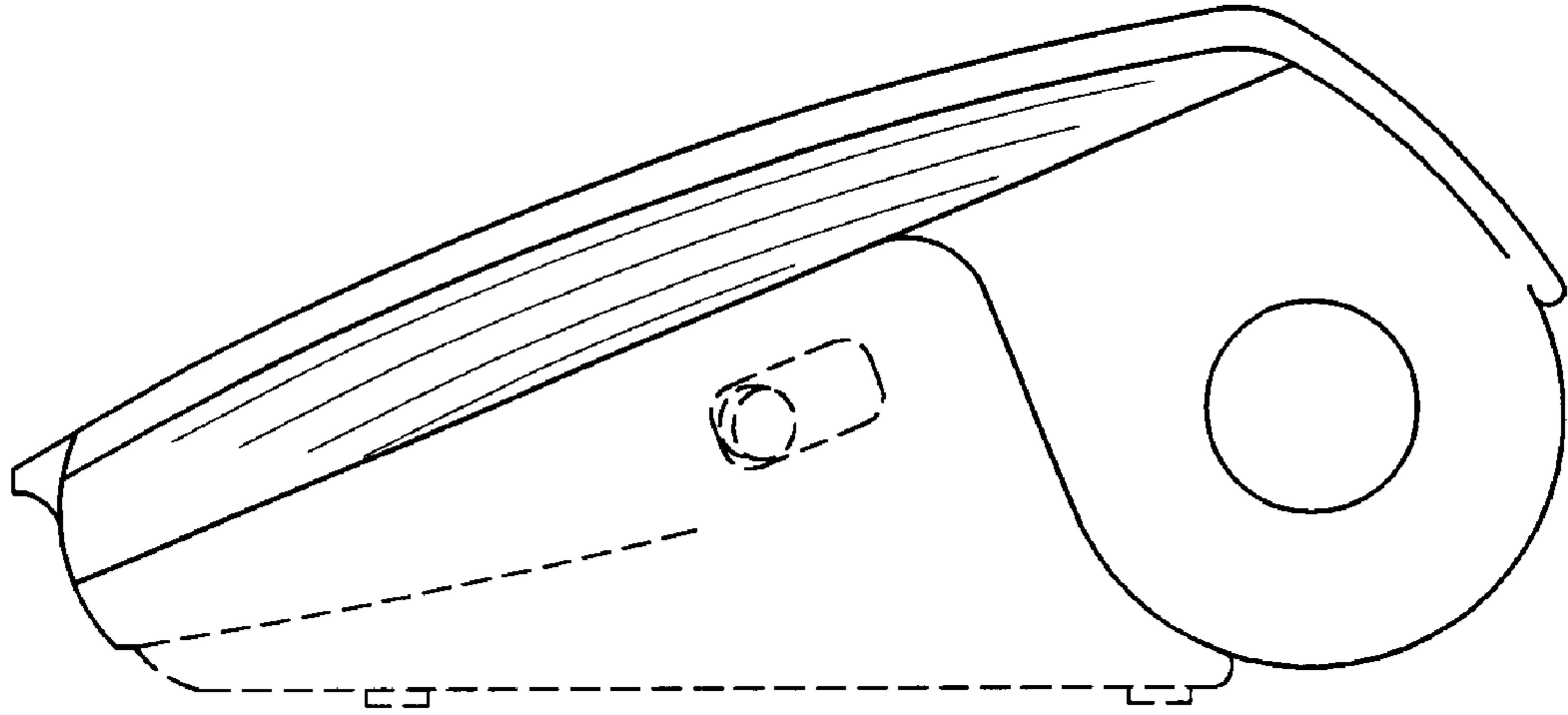


Fig. 5

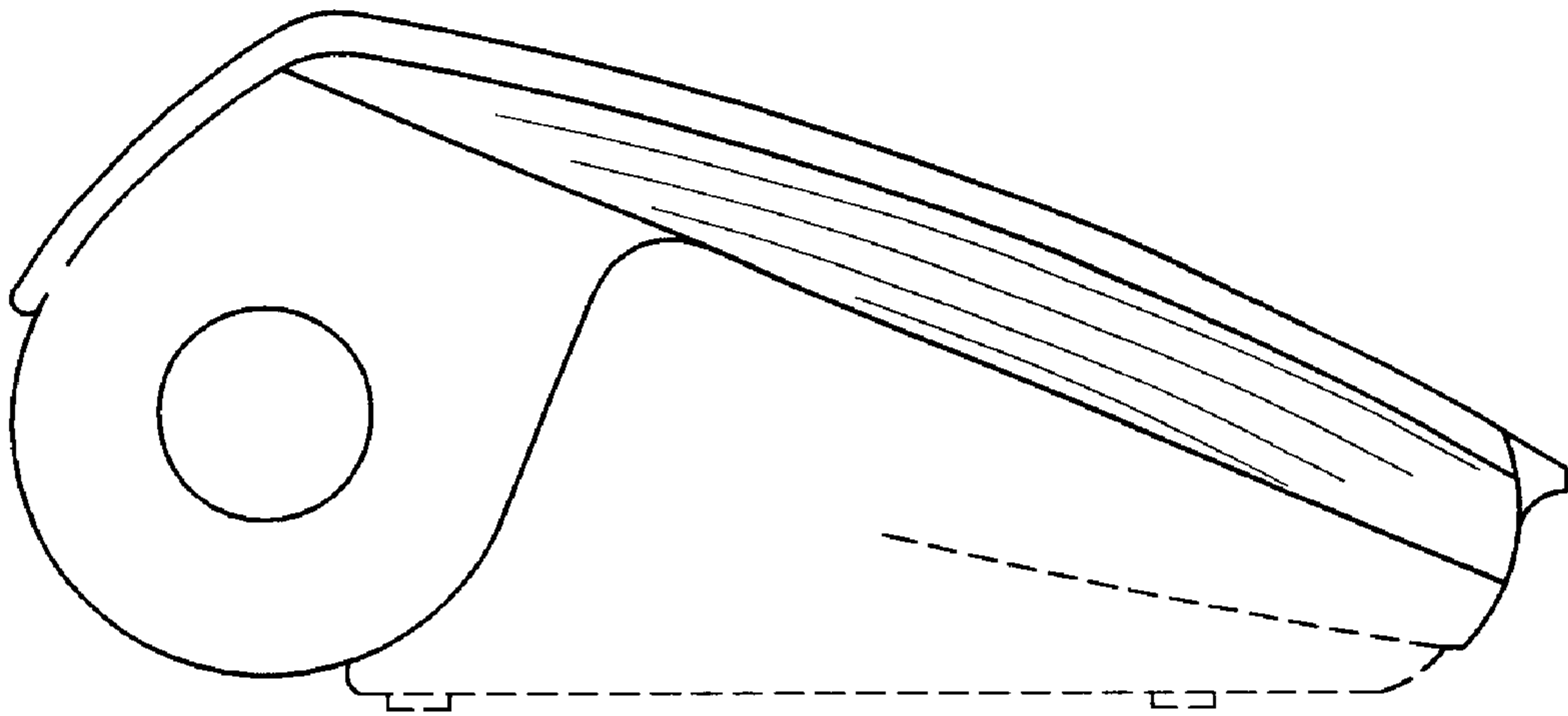


Fig. 6

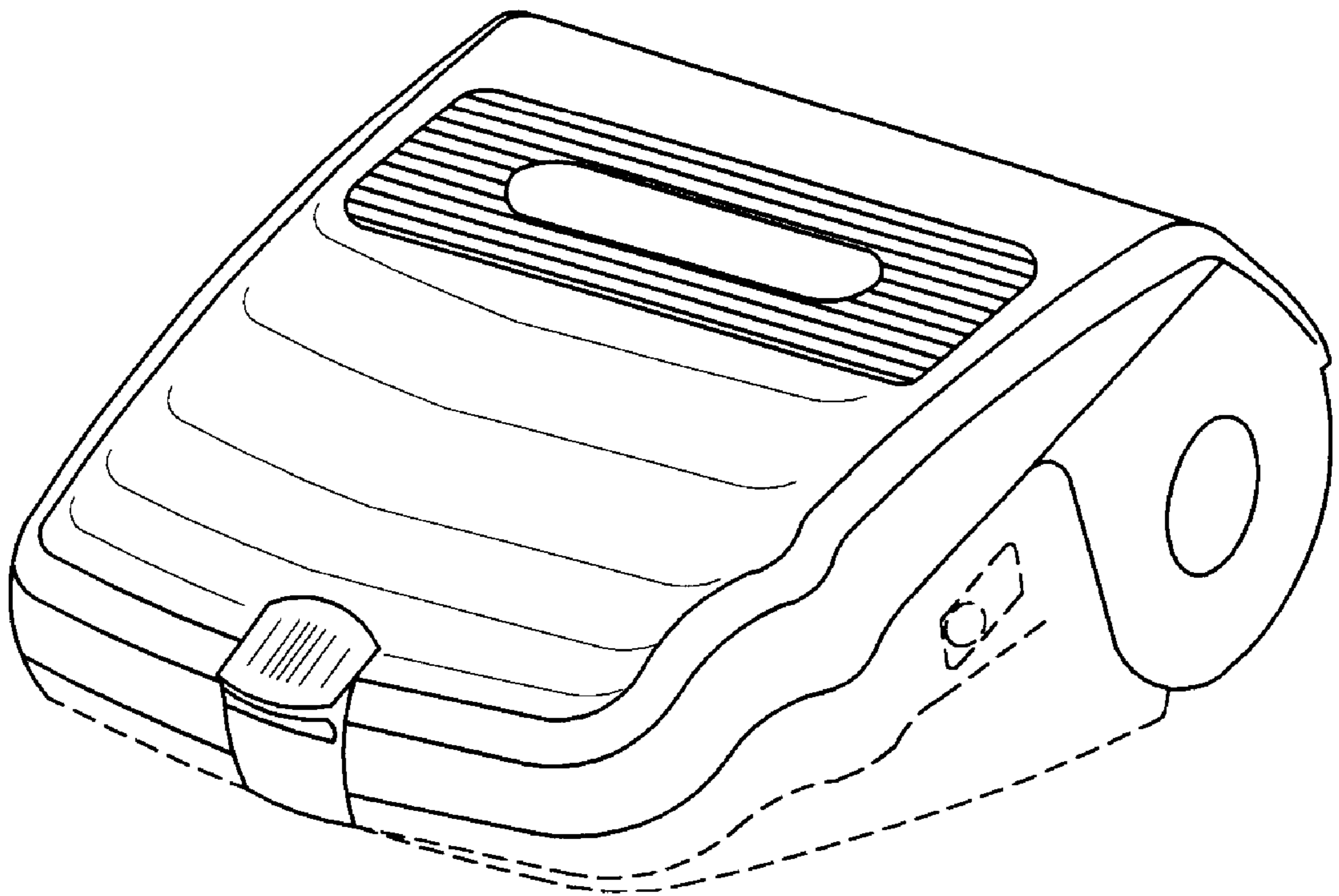


Fig. 7

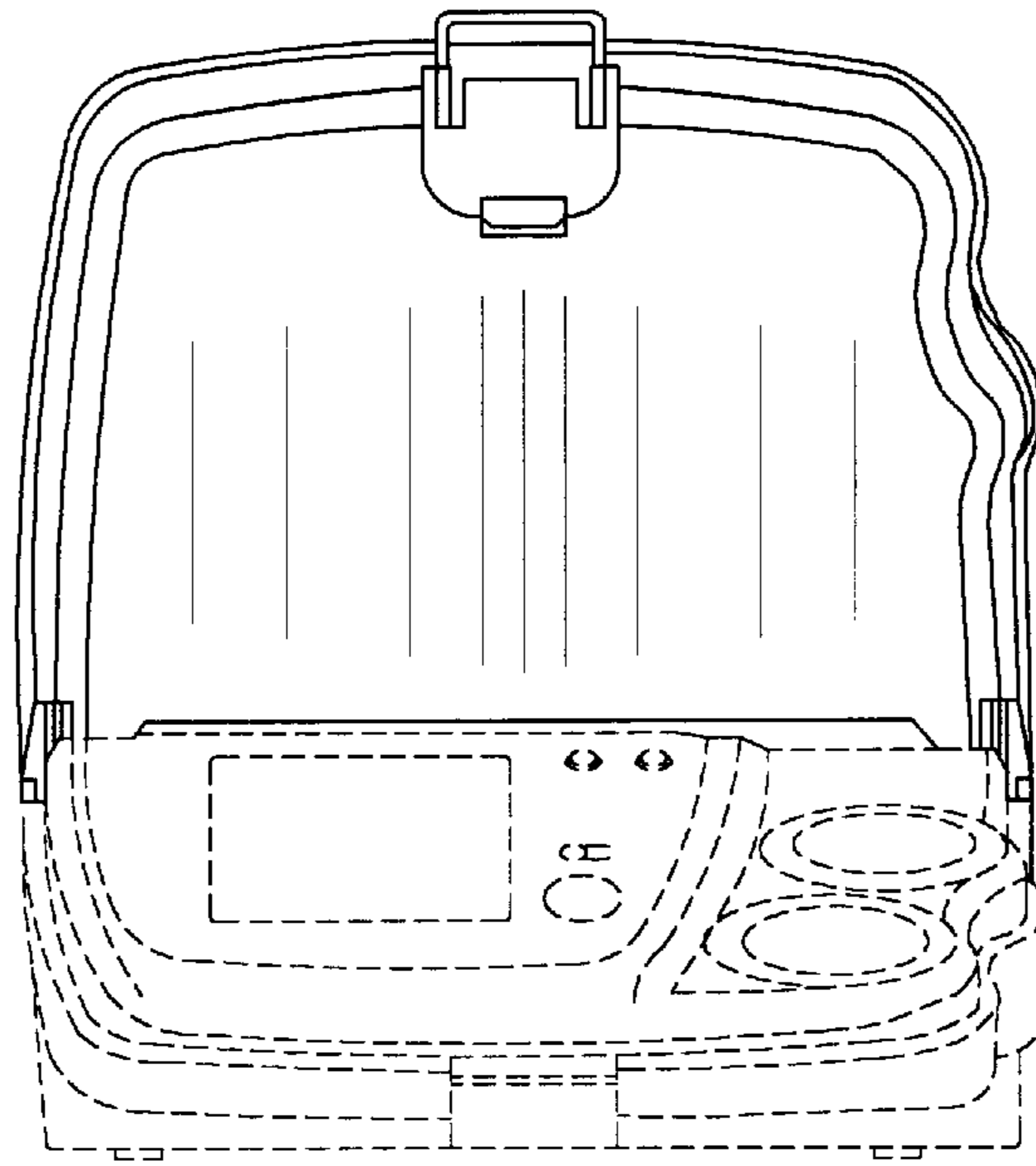


Fig. 8

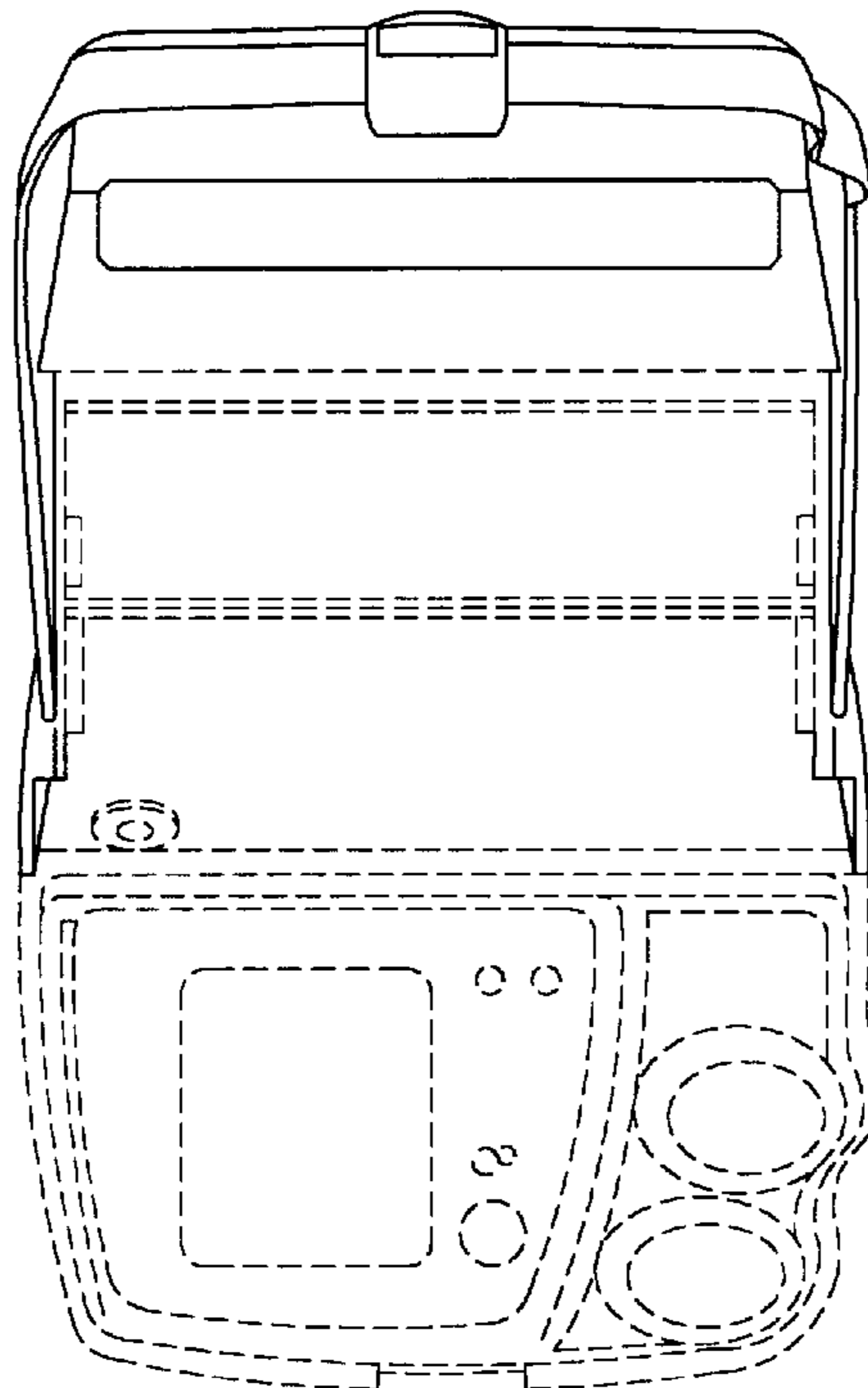


Fig. 9

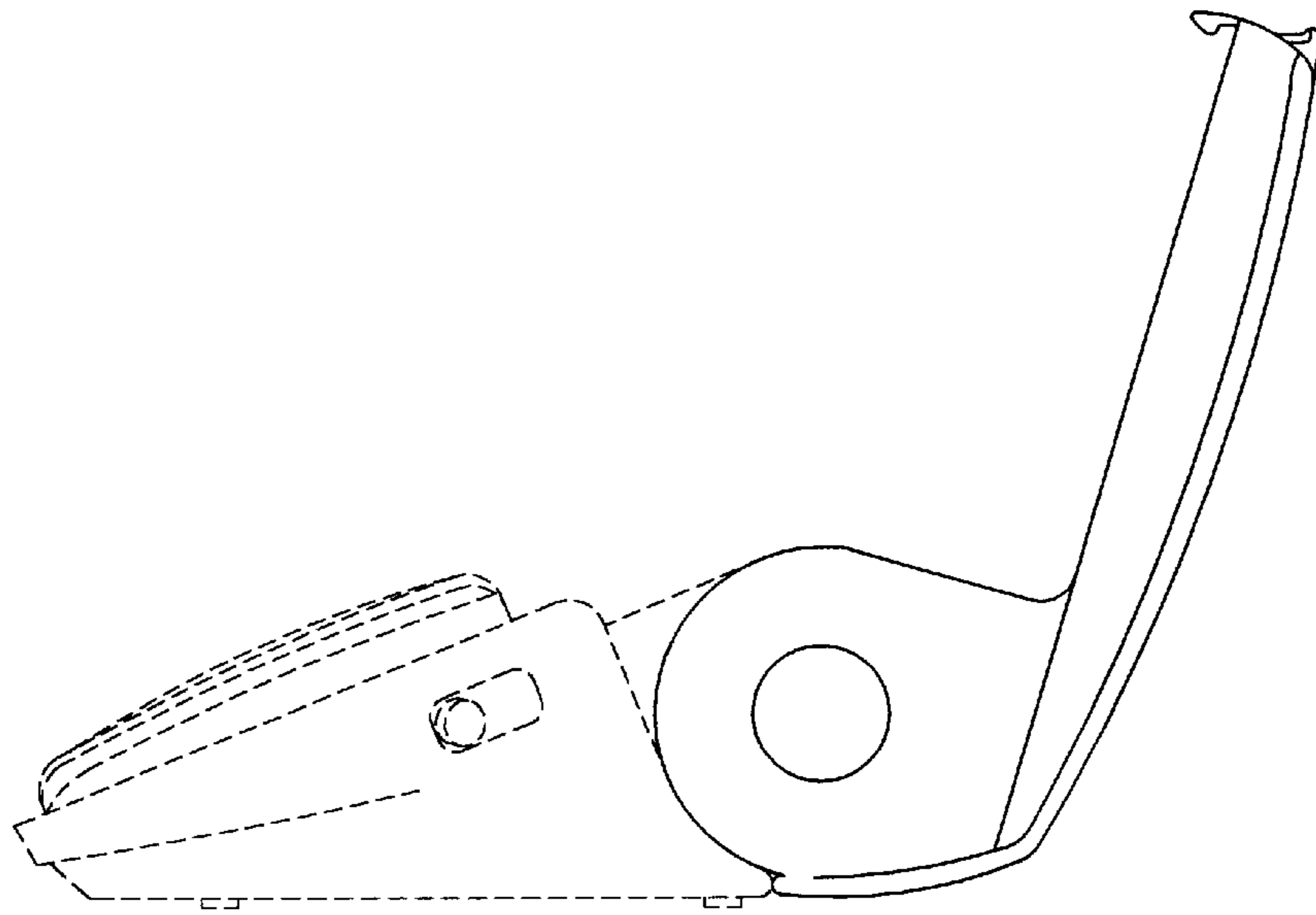


Fig. 10

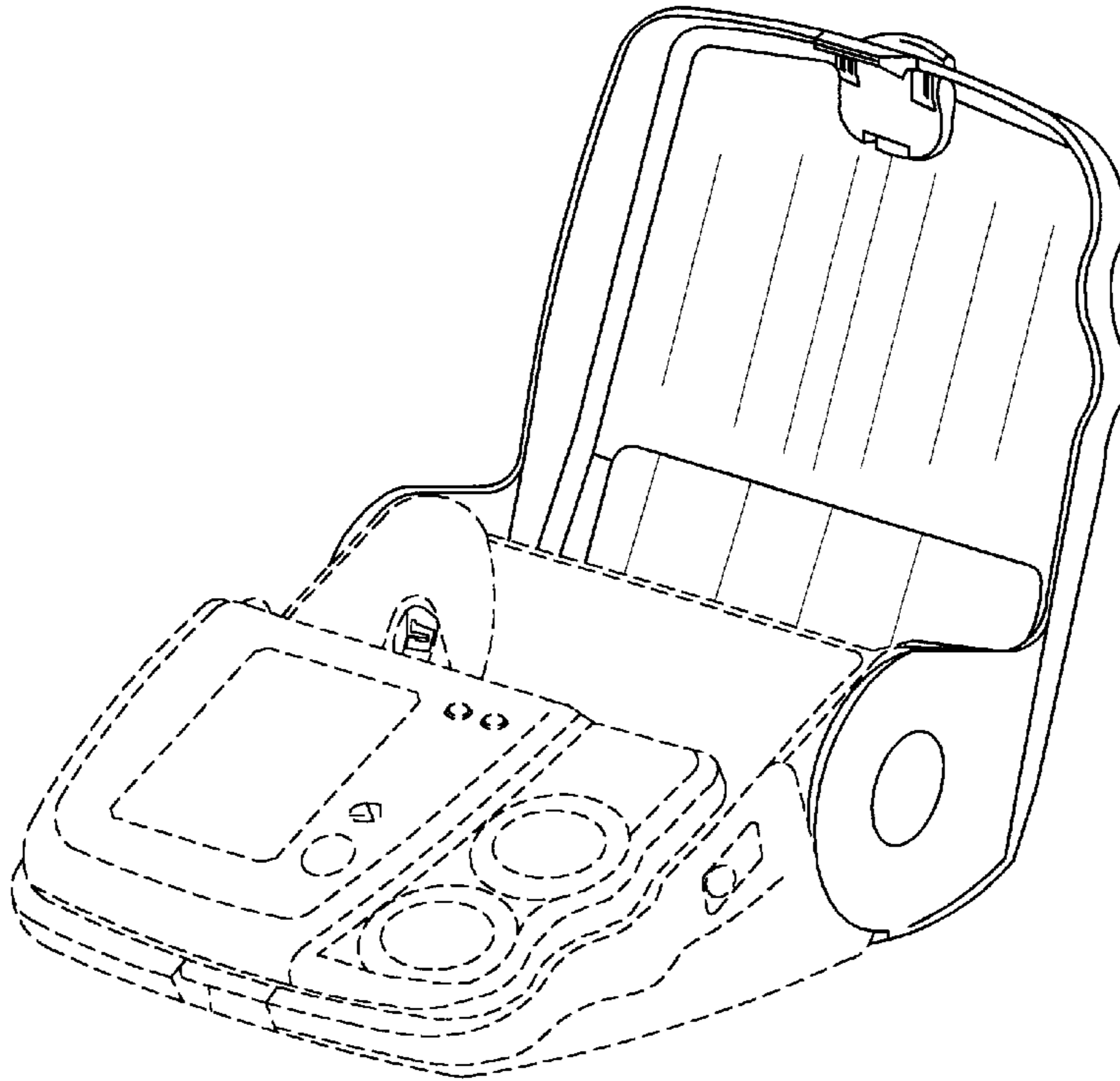


Fig. 11

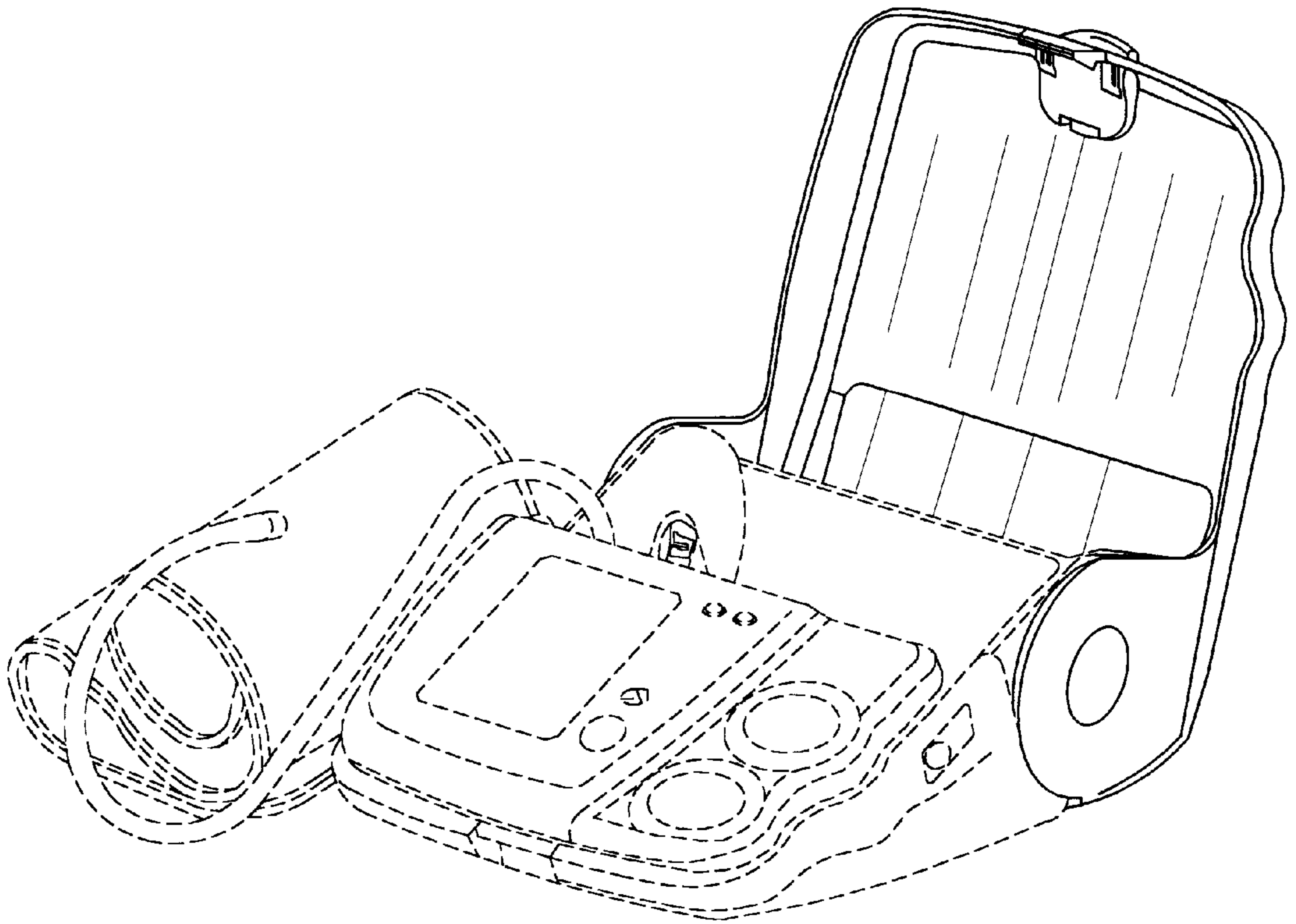


Fig. 12