



US00D475786S

(12) **United States Design Patent**
Lund

(10) **Patent No.:** **US D475,786 S**

(45) **Date of Patent:** **** Jun. 10, 2003**

(54) **PROSTHESIS CONNECTOR**

(76) Inventor: **Arnold A. Lund**, P.O. Box 596,
Applegate, CA (US) 95603

(**) Term: **14 Years**

(21) Appl. No.: **29/154,071**

(22) Filed: **Jan. 18, 2002**

(51) **LOC (7) Cl.** **24-03**

(52) **U.S. Cl.** **D24/155**

(58) **Field of Search** D24/155; 623/18-23.47,
623/32-38

(56) **References Cited**

U.S. PATENT DOCUMENTS

6,013,105 A * 1/2000 Potts 623/38

6,416,703 B1 * 7/2002 Kristinsson et al. 623/33

6,428,578 B2 * 8/2002 White 623/23.22

* cited by examiner

Primary Examiner—Antoine Duval Davis

(74) *Attorney, Agent, or Firm*—Mark C. Jacobs

(57) **CLAIM**

The ornamental design for prosthesis connector, as shown and described.

DESCRIPTION

FIG. 1 is a perspective view of the left leg prosthesis connector of this design. The right leg unit is a mirror image thereof.

FIG. 2 is a front elevational view of the left leg prosthesis connector of this design.

FIG. 3 is a left elevational view of the connector of this design.

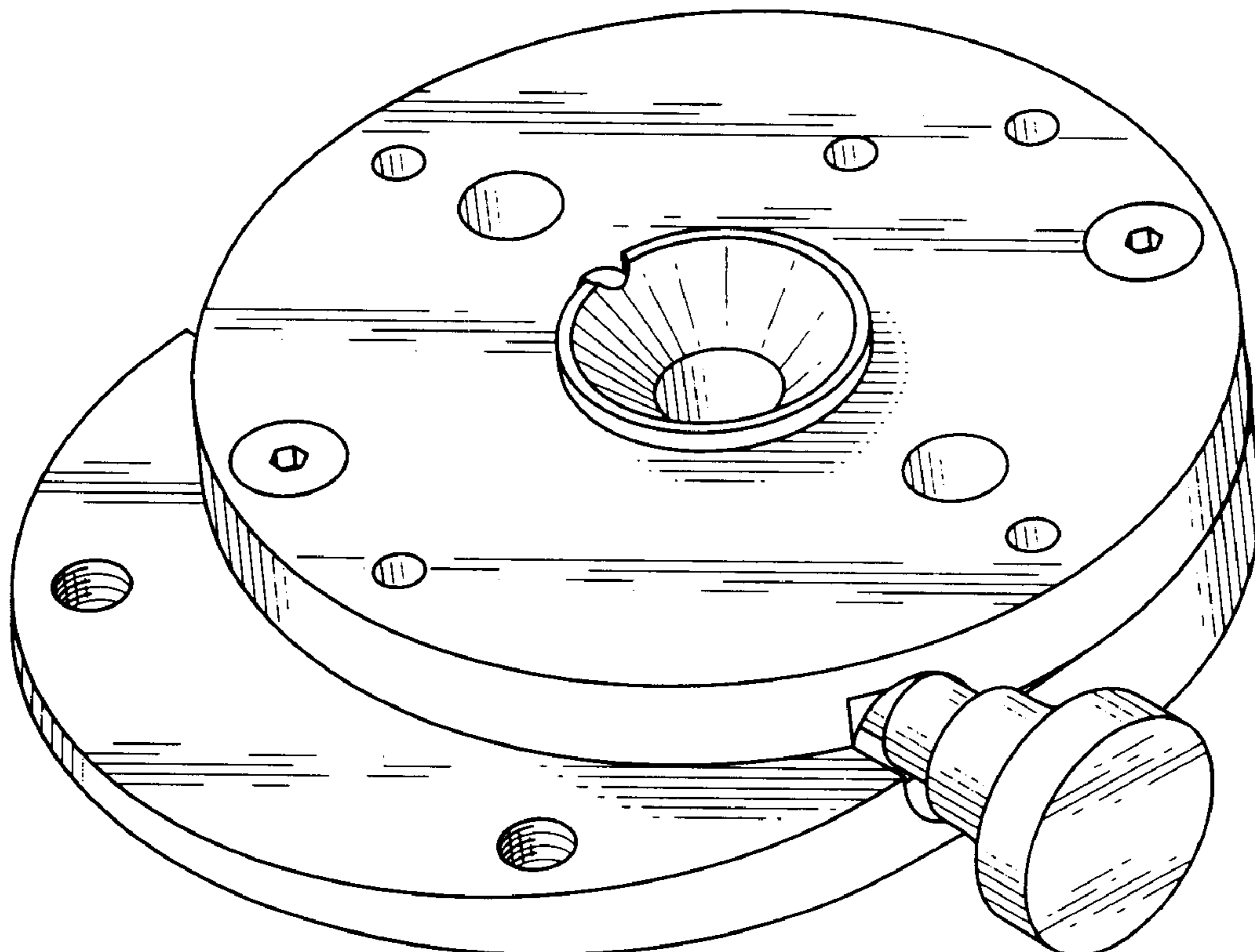
FIG. 4 is a right elevational view of this design.

FIG. 5 is a rear elevational view thereof.

FIG. 6 is an auxiliary view taken along line 6—6 of FIG. 3; and,

FIG. 7 is a bottom plan view of the connector of this design.

1 Claim, 2 Drawing Sheets



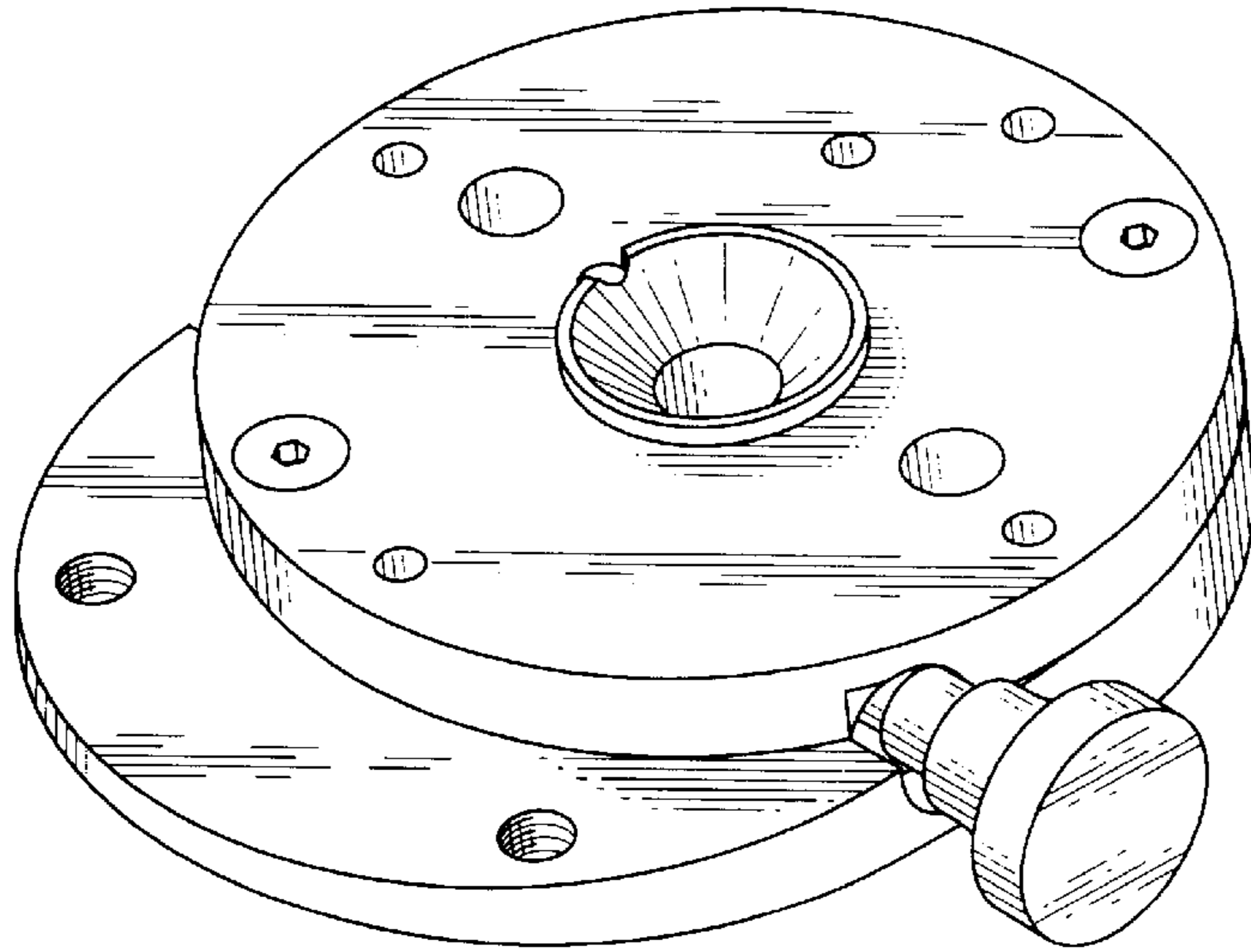


Fig. 1

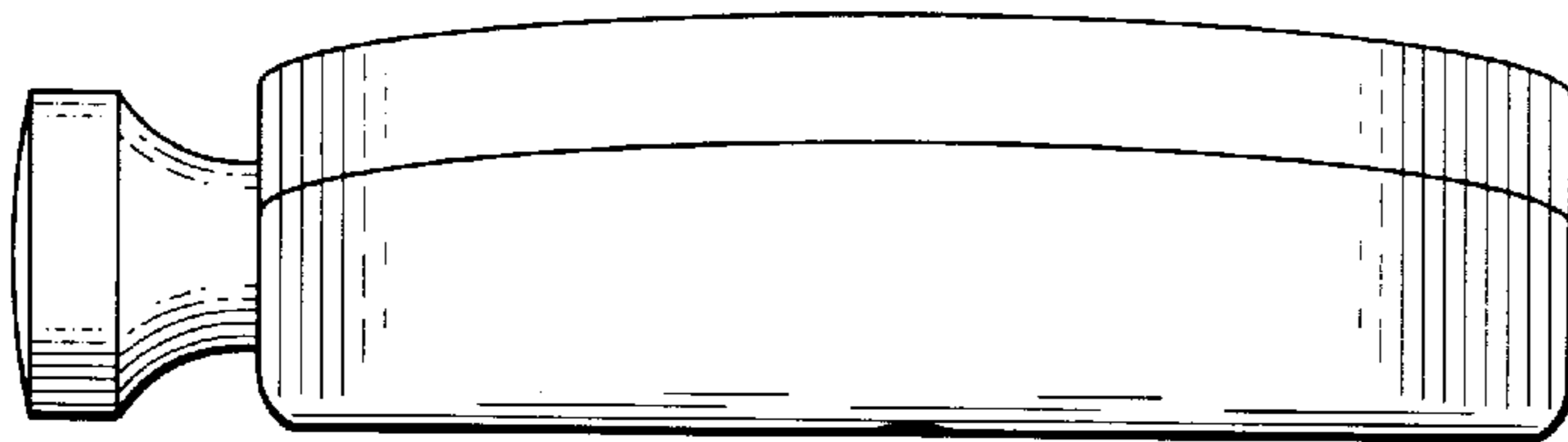


Fig. 2

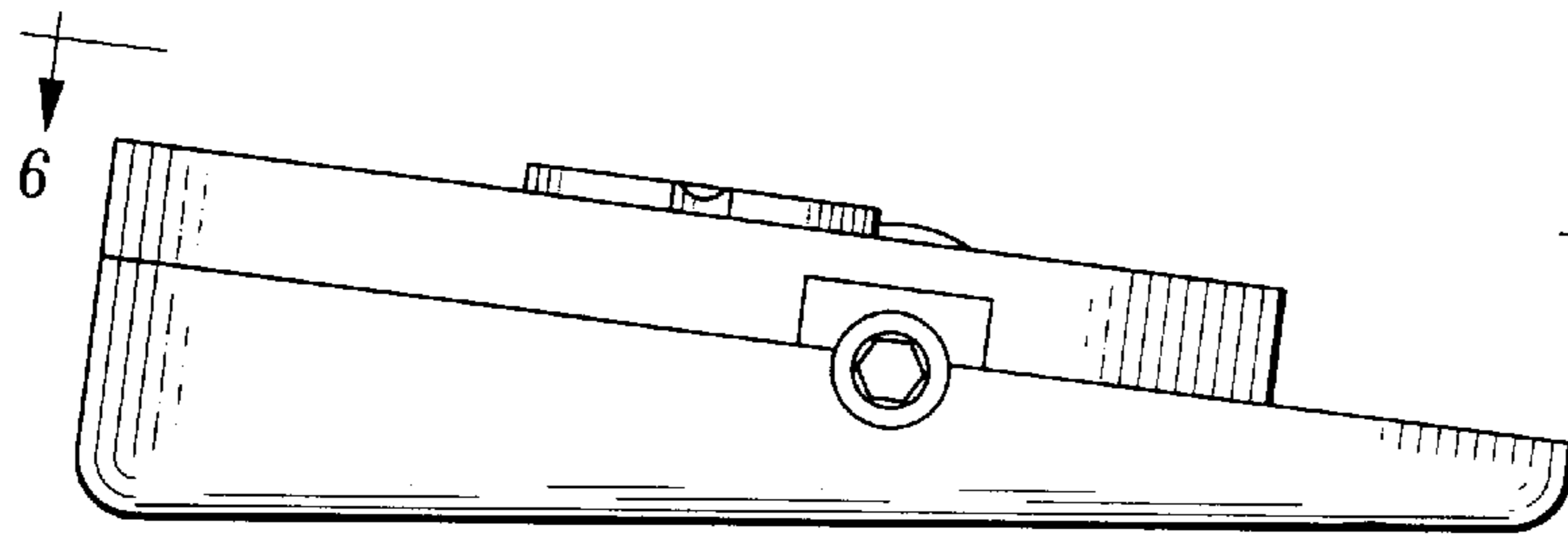


Fig. 3

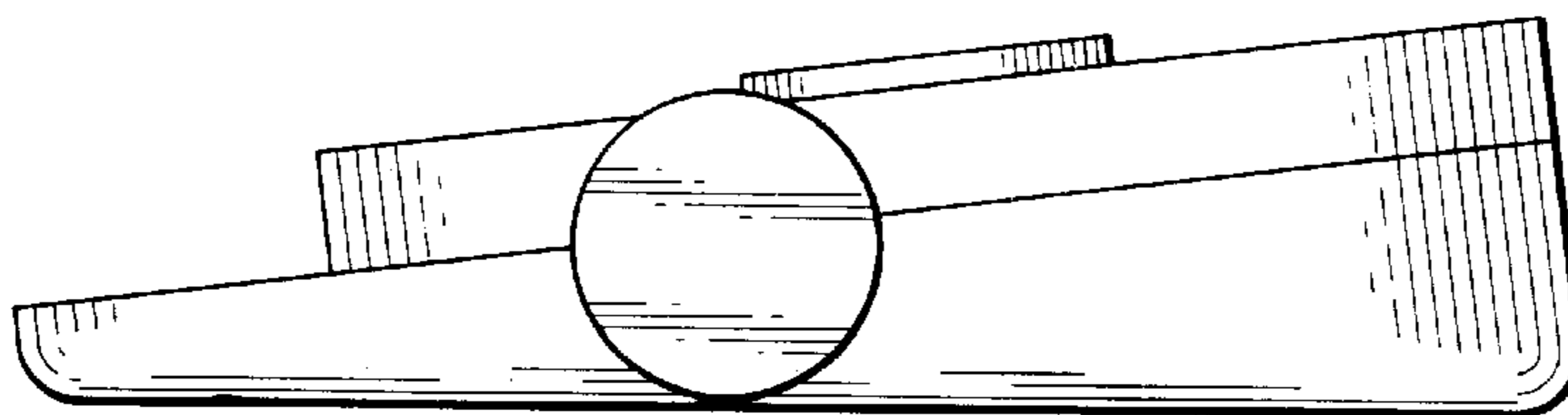


Fig. 4

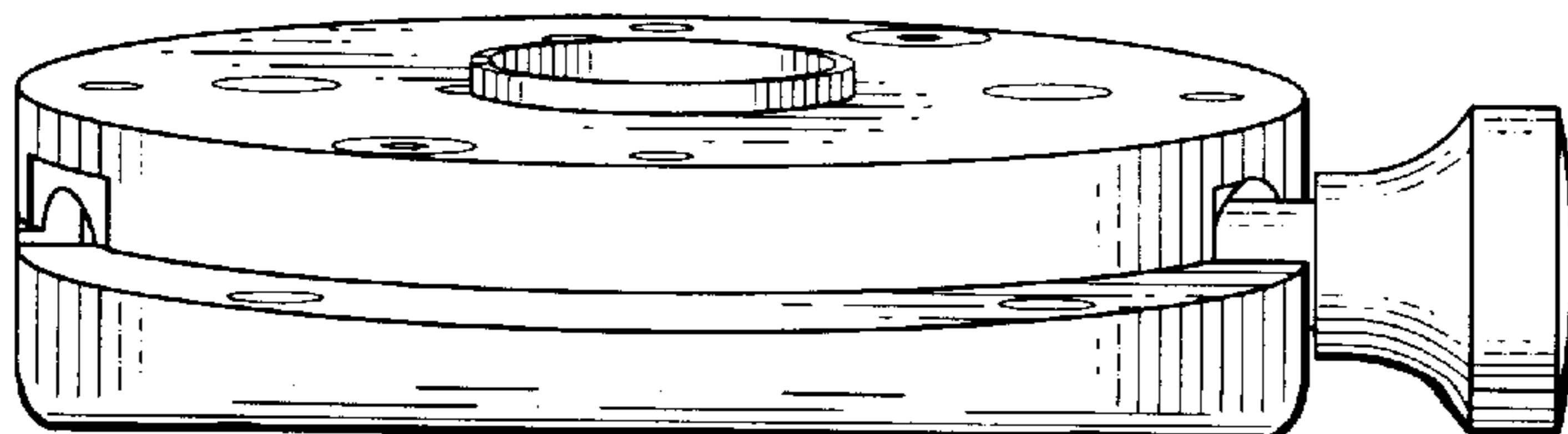


Fig. 5

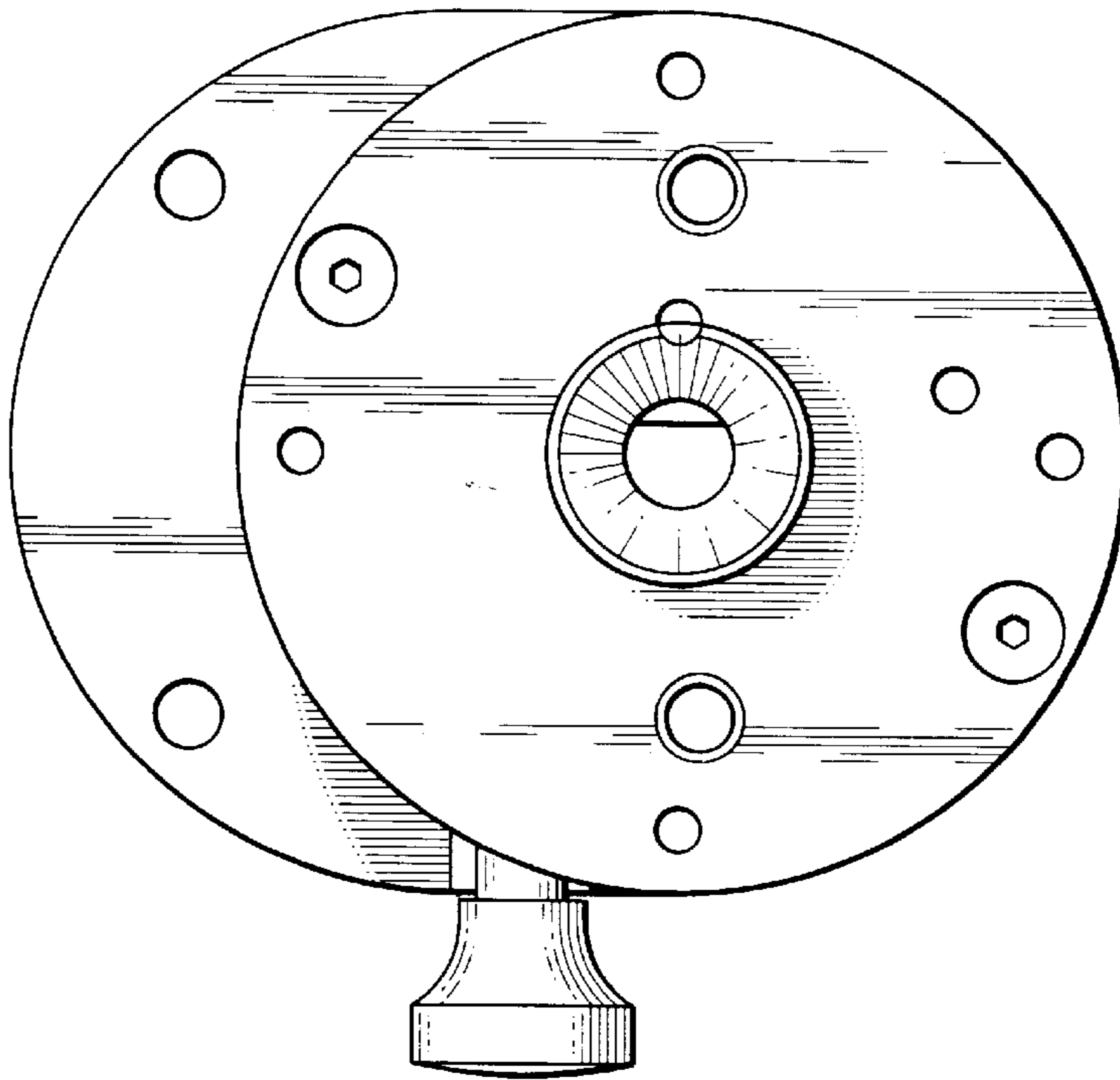


Fig. 6

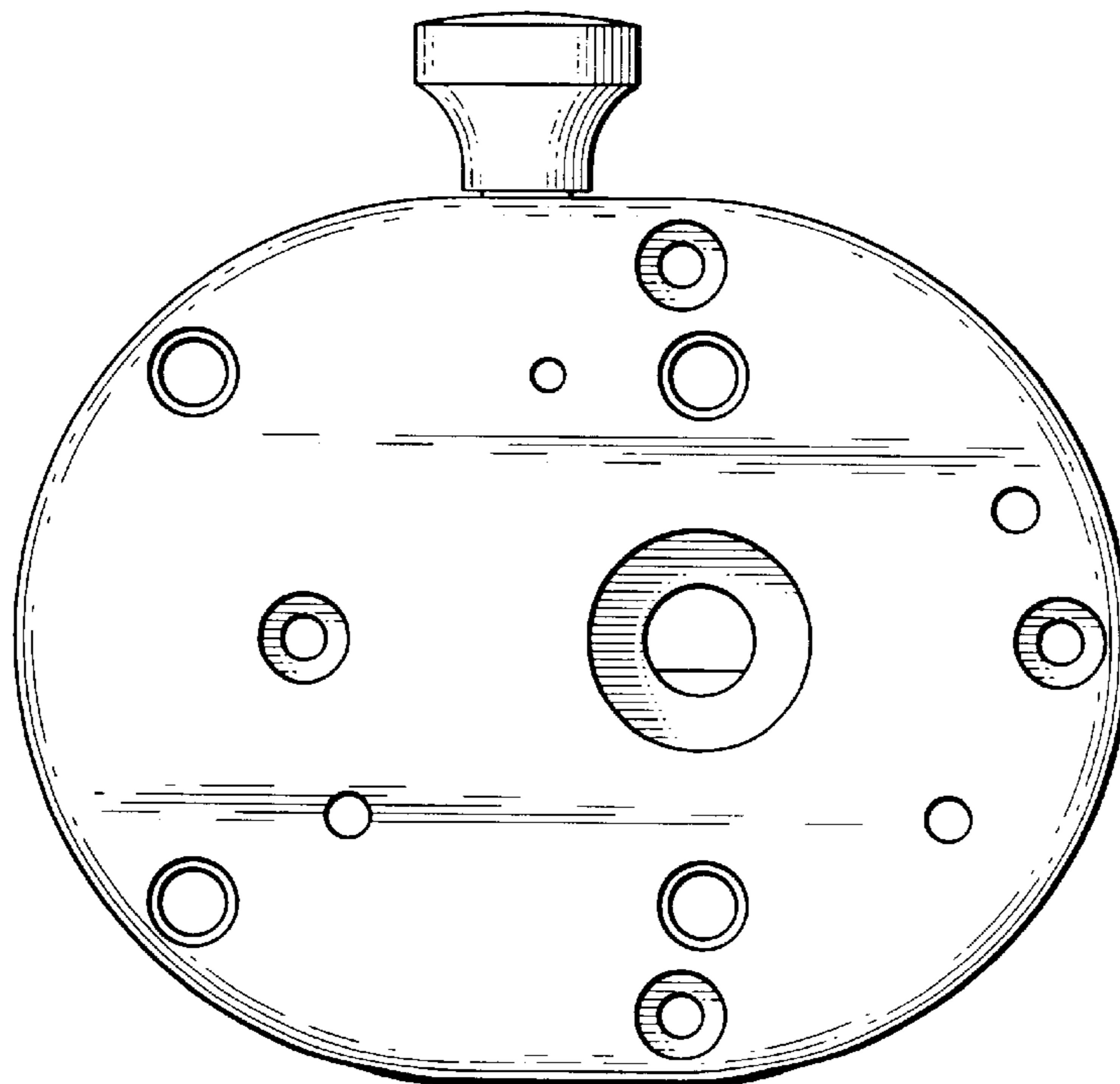


Fig. 7