



US00D475783S

(12) **United States Design Patent**  
**Swenson**

(10) **Patent No.:** **US D475,783 S**

(45) **Date of Patent:** **\*\* Jun. 10, 2003**

(54) **NEEDLE ASSEMBLY**

(75) **Inventor:** **Kirk D. Swenson**, North Caldwell, NJ  
(US)

(73) **Assignee:** **Becton, Dickinson and Company**,  
Franklin Lakes, NJ (US)

(\*\*) **Term:** **14 Years**

(21) **Appl. No.:** **29/161,189**

(22) **Filed:** **May 23, 2002**

(51) **LOC (7) Cl.** ..... **24-02**

(52) **U.S. Cl.** ..... **D24/130; D24/112**

(58) **Field of Search** ..... D24/130, 112,  
D24/146; 604/110, 198, 192, 193, 159,  
194, 161, 162, 164.08, 263, 195

(56) **References Cited**

**U.S. PATENT DOCUMENTS**

4,941,881 A	7/1990	Masters et al. ....	604/162
5,030,212 A	7/1991	Rose .....	604/263
5,112,311 A	5/1992	Utterberg et al. ....	604/177
5,120,320 A	6/1992	Fayngold .....	604/177
5,266,072 A	11/1993	Utterberg et al. ....	604/177
5,290,264 A	3/1994	Utterberg .....	604/263
5,322,517 A	6/1994	Sircom et al. ....	604/198
5,328,482 A	7/1994	Sircom et al. ....	604/164
5,584,816 A	12/1996	Gyure et al. ....	604/192
5,611,781 A	3/1997	Sircom et al. ....	604/164
5,662,610 A	9/1997	Sircom .....	604/110
5,669,889 A	9/1997	Gyure et al. ....	604/263
5,681,295 A	10/1997	Gyure et al. ....	604/263
5,700,249 A	* 12/1997	Jenkins .....	604/192
5,738,665 A	* 4/1998	Caizza et al. ....	604/263
5,814,018 A	* 9/1998	Elson et al. ....	604/110

5,891,103 A	4/1999	Burns .....	604/192
5,925,020 A	* 7/1999	Nestell .....	604/198
6,015,397 A	* 1/2000	Elson et al. ....	604/192
6,280,420 B1	* 8/2001	Ferguson et al. ....	604/198
6,298,541 B1	10/2001	Newby et al. ....	29/458
D451,998 S	* 12/2001	Crawford et al. ....	D24/130
D452,002 S	* 12/2001	Crawford et al. ....	D24/130

**FOREIGN PATENT DOCUMENTS**

JP	01317453	12/1989
JP	8206195	8/1996

\* cited by examiner

*Primary Examiner*—Ian Simmons

(74) *Attorney, Agent, or Firm*—Webb Ziesenheim Logsdon  
Orkin & Hanson, P.C.

(57) **CLAIM**

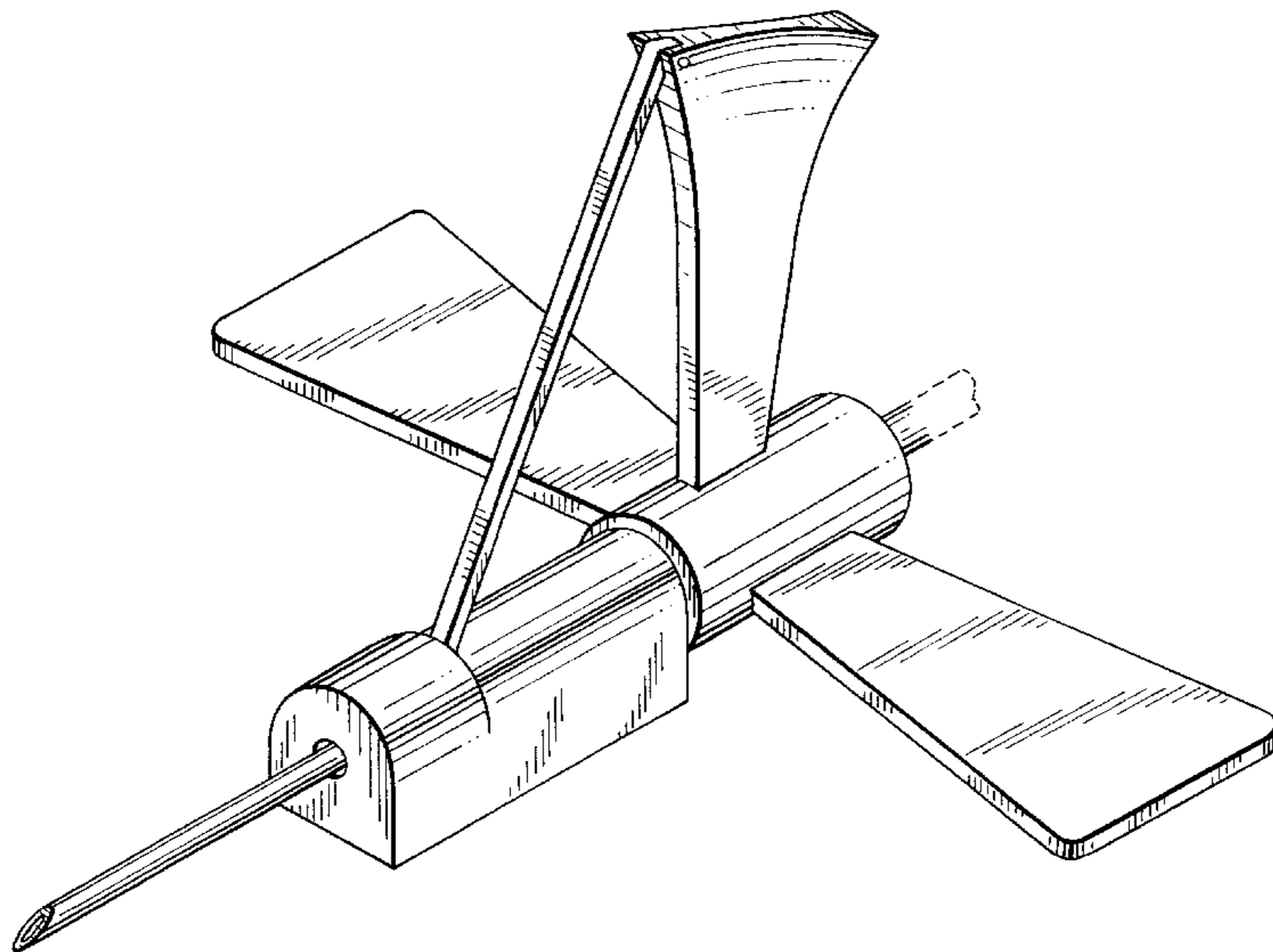
The ornamental design of a needle assembly, as shown and described.

**DESCRIPTION**

FIG. 1 is a perspective view of the needle assembly;  
 FIG. 2 is a top plan view thereof;  
 FIG. 3 is an end elevational view as viewed from the right of FIG. 2;  
 FIG. 4 is a right side elevational view thereof, with the left side elevational view being a mirror image thereof;  
 FIG. 5 is an end elevational view as viewed from the left of FIG. 2; and,  
 FIG. 6 is a bottom plan view thereof.

The broken line showing in the FIGS. 1, 2, 4 and 6 are for illustrative purposes only and forms no part of the claimed design.

**1 Claim, 5 Drawing Sheets**



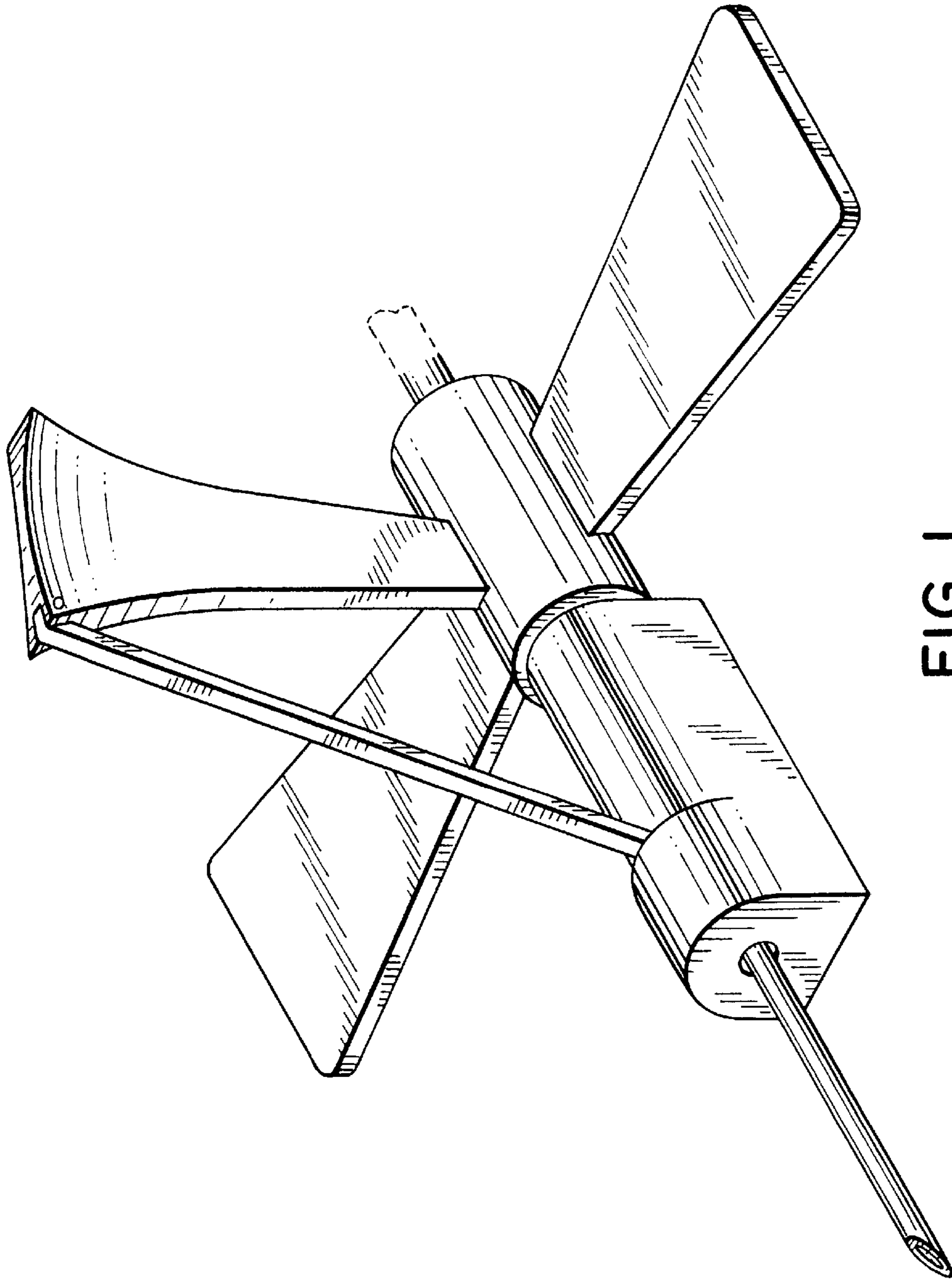


FIG. 1

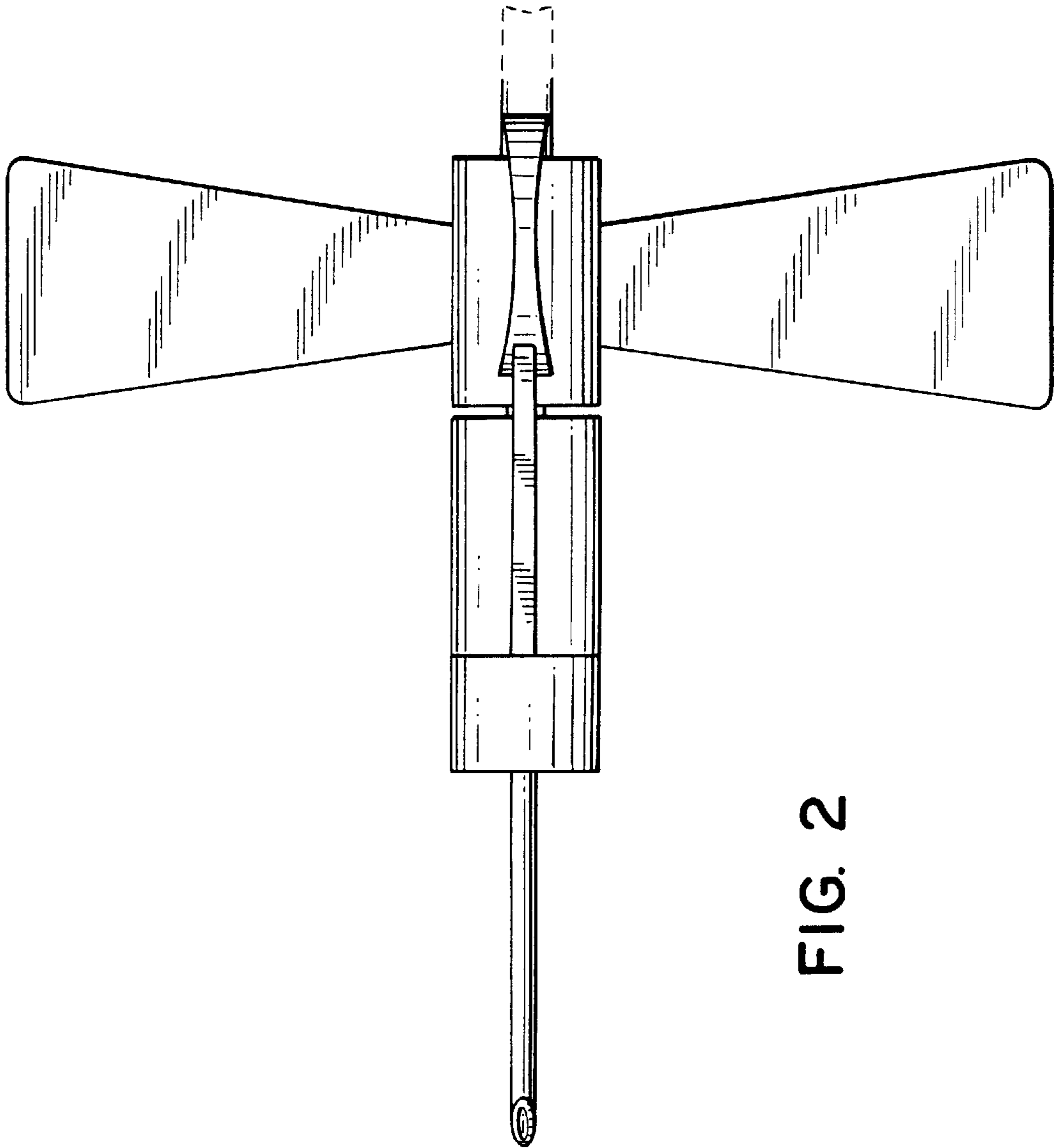


FIG. 2

FIG. 3

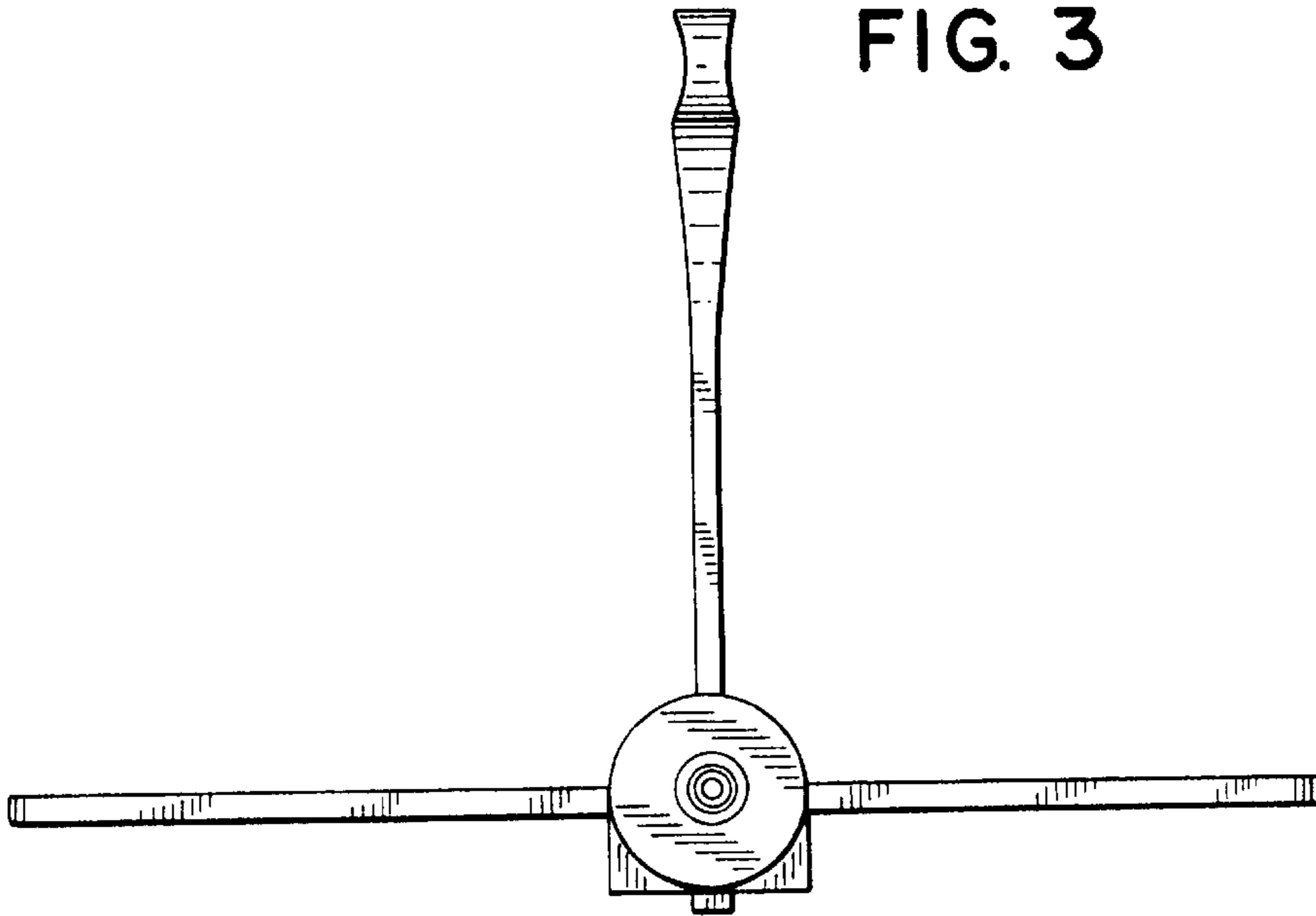
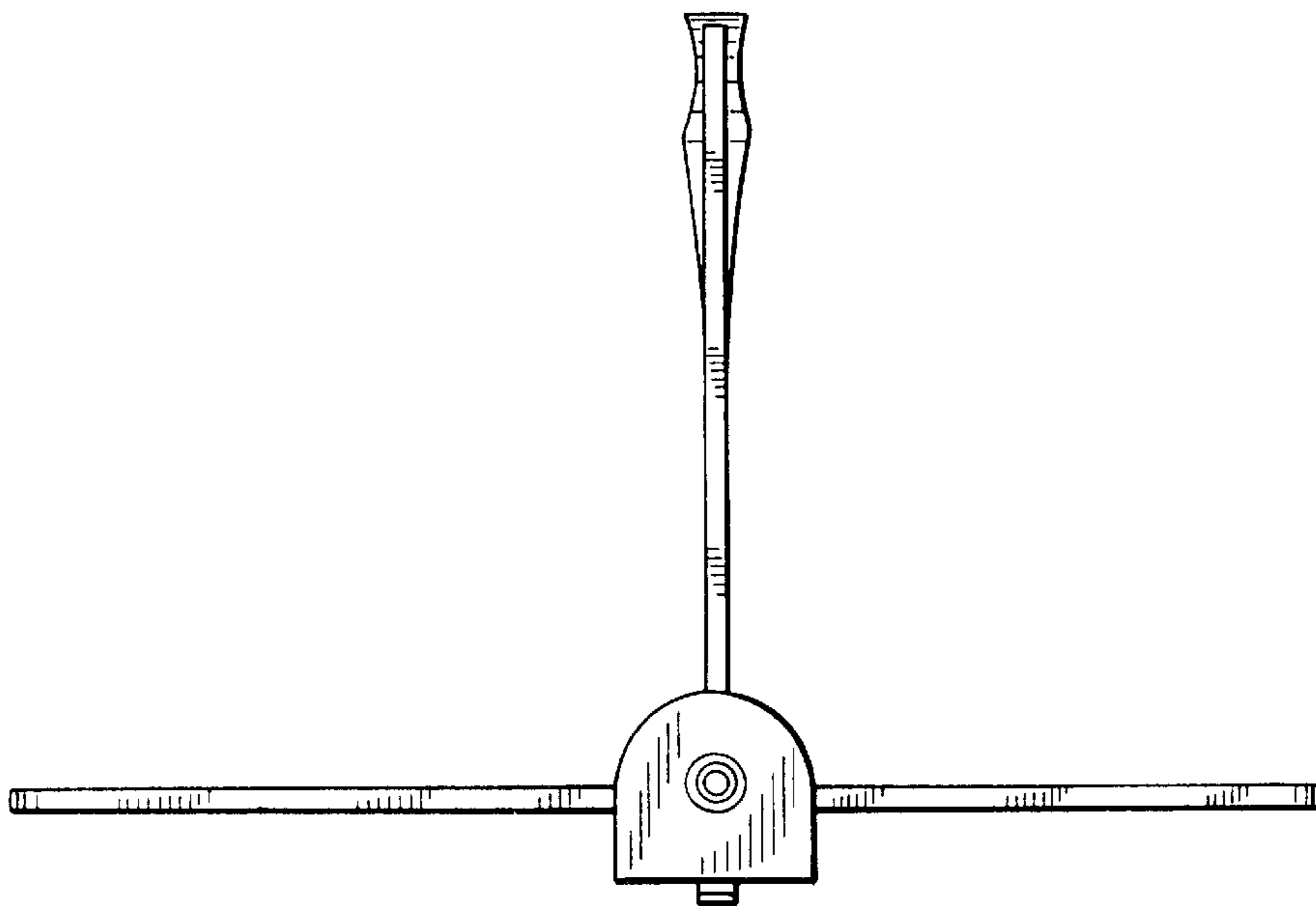


FIG. 5



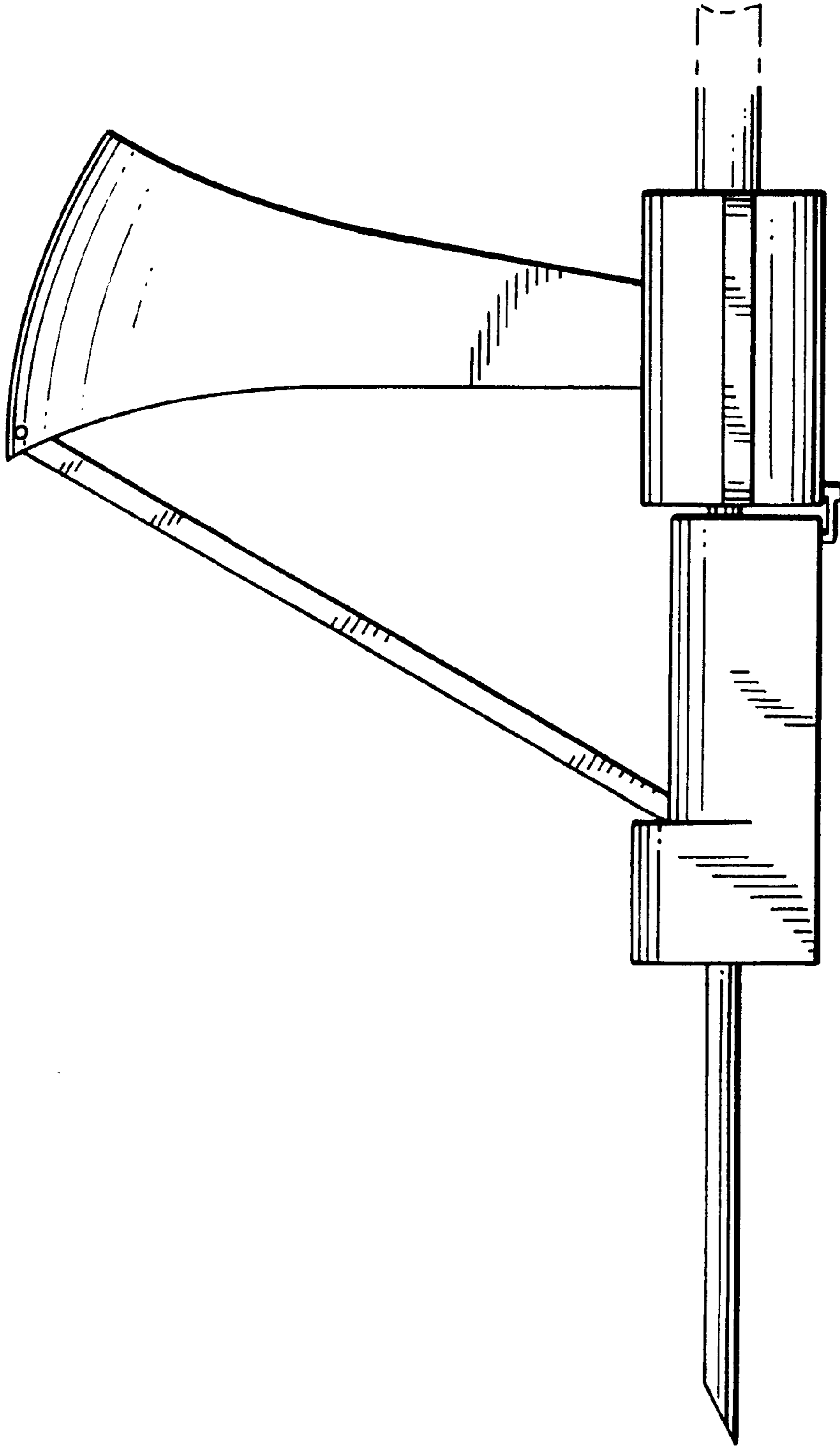


FIG. 4

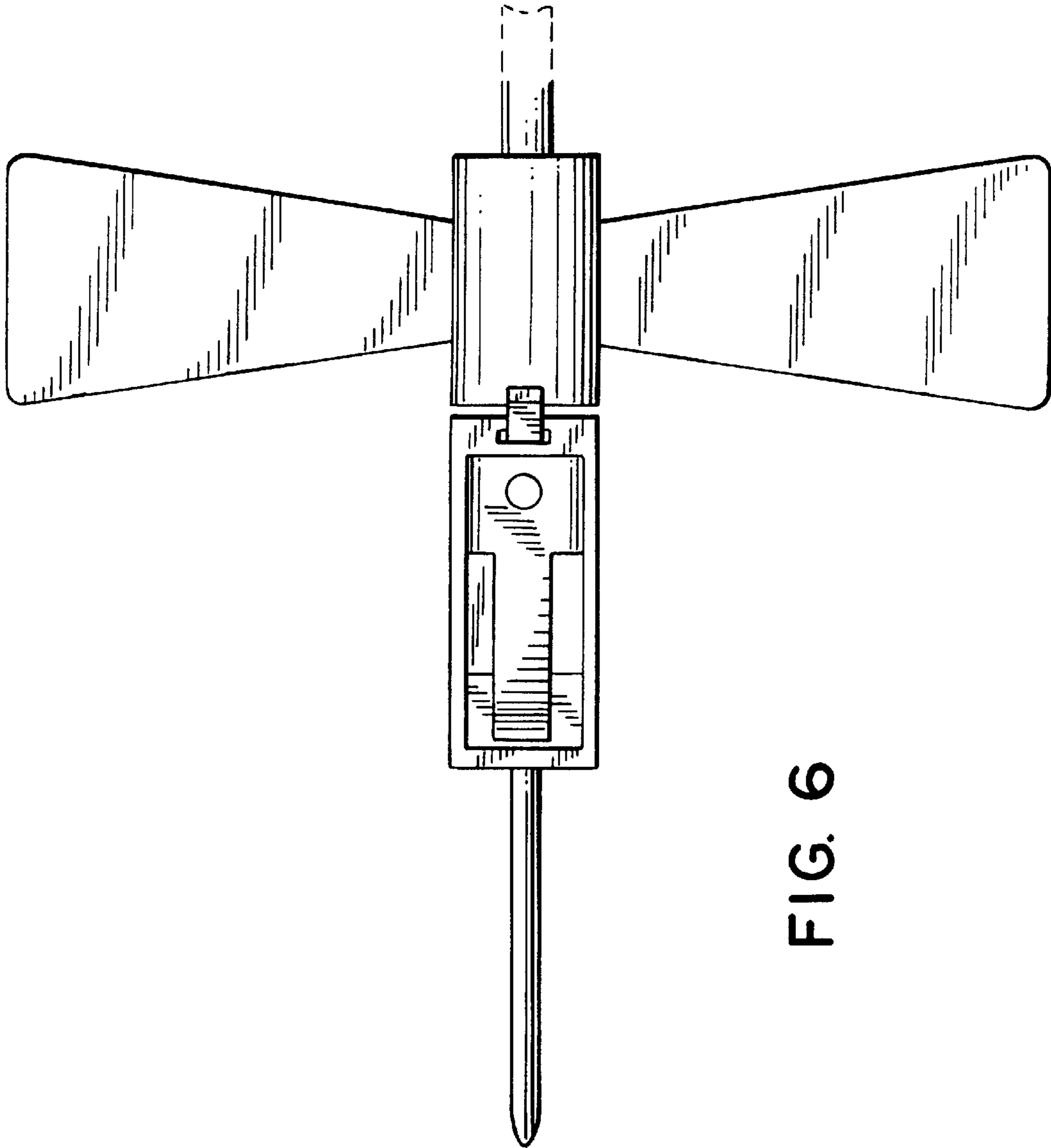


FIG. 6