



US00D475780S

(12) **United States Design Patent**
Stout, Jr.

(10) **Patent No.: US D475,780 S**

(45) **Date of Patent: ** *Jun. 10, 2003**

- (54) **DUCT WITH A CRIMPED END**
- (75) Inventor: **William K. Stout, Jr.**, Mason, OH (US)
- (73) Assignee: **Eastern Sheet Metal LLC**, Cincinnati, OH (US)

D234,847 S	4/1975	Hoffman
3,955,834 A	5/1976	Ahlrot
4,007,941 A	2/1977	Stancati
4,050,703 A	9/1977	Tuvesson et al.
4,193,246 A	3/1980	Schiefer et al.
4,216,981 A	8/1980	Jensen

(List continued on next page.)

- (*) Notice: This patent is subject to a terminal disclaimer.
- (**) Term: **14 Years**

FOREIGN PATENT DOCUMENTS

DE	2840962	4/1979
DK	150025 B	11/1986
EP	092881 A2	11/1983

(List continued on next page.)

- (21) Appl. No.: **29/138,819**
- (22) Filed: **Mar. 20, 2001**

OTHER PUBLICATIONS

- (51) **LOC (7) Cl.** **23-04**
- (52) **U.S. Cl.** **D23/393; D23/266**
- (58) **Field of Search** D23/259, 262, D23/263, 266, 386, 387, 391, 393, 394; 138/111–117, DIG. 4, DIG. 11, 177, 167, 169; 285/47, 123.15, 123.16, 110, 374, 347, 232–234, 122.1, 123.1, 123.3–123.7, 123.9, 125.1, 129.1, 129.2, 133.11, 133.21, 133.6, 136.1, 141.1, 148.18, 148.22, 148.23, 148.24, 148.25, 179, 179.2, 181, 183, 332, 332.1, 334.5, 399, 189, 424; 454/228–236, 243, 270, 903, 906; 126/307 R, 312, 307 A, 314–317

Ducts and Fittings Product Brochure, Lindab Ltd., Northampton, Great Britain (undated), front and back covers and pp. 3–52.

(List continued on next page.)

Primary Examiner—Mitchell Siegel
Assistant Examiner—C. Tuttle
(74) *Attorney, Agent, or Firm*—Dinsmore & Shohl LLP

(57) **CLAIM**

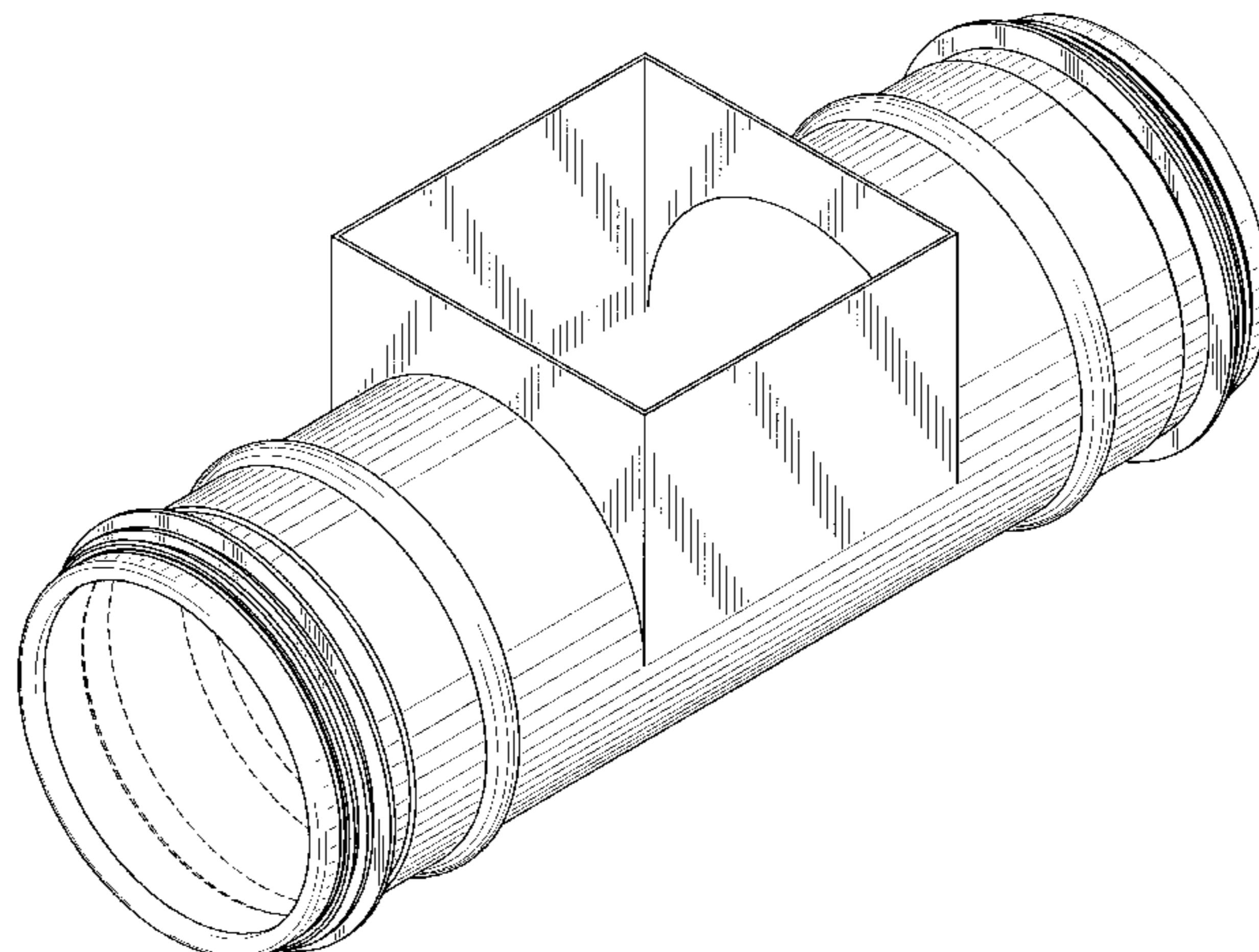
The ornamental design for a duct with a crimped end, as shown and described.

DESCRIPTION

FIG. 1 is a front elevational view of the duct with a crimped end; the rear elevational view being identical to FIG. 1; FIG. 2 is a front perspective view of the duct of FIG. 1; FIG. 3 is a left end view of the duct of FIG. 1; the right end view being identical to FIG. 3; FIG. 4 is a top view of the duct of FIG. 1; and, FIG. 5 is a bottom view of the duct of FIG. 1. The broken line showing of interior portions of the duct is for illustrative purposes only and forms no part of the claimed design. The unshaded areas of the central portions of the duct interior likewise form no part of the claimed design.

- (56) **References Cited**
- U.S. PATENT DOCUMENTS**
- 199,619 A * 1/1878 Corby 126/312
- D25,709 S 6/1896 Pratt
- 1,565,918 A 12/1925 Fitzgerald
- 1,570,974 A 1/1926 Stevens
- 2,039,542 A * 5/1936 Lindquist 285/133.3
- 2,215,318 A * 9/1940 Bristol 285/148.22
- 2,314,386 A 3/1943 Brend
- 2,544,108 A 3/1951 Richardson
- 2,616,728 A * 11/1952 Pitt 285/47
- 2,930,635 A 3/1960 Woodling
- 3,015,510 A 1/1962 Bates
- 3,751,792 A * 8/1973 Frakes 285/189 X

1 Claim, 5 Drawing Sheets



US D475,780 S

Page 2

U.S. PATENT DOCUMENTS

4,369,159	A	1/1983	Irmer	
D273,702	S	5/1984	Widerby et al.	
4,583,772	A	* 4/1986	Vassallo et al.	285/347
4,664,421	A	5/1987	Jones	
4,846,147	A	* 7/1989	Townsend et al.	126/307 R
4,854,381	A	* 8/1989	Mikula	126/307 R X
5,080,403	A	* 1/1992	Paoluccio	285/229
5,390,961	A	* 2/1995	Guthrie	285/41
5,405,174	A	4/1995	Sondén et al.	
5,407,122	A	4/1995	Stefansson et al.	
D360,018	S	7/1995	Sondén et al.	
D360,019	S	7/1995	Sondén et al.	
D360,020	S	7/1995	Sondén et al.	
D360,021	S	7/1995	Sondén et al.	
D361,829	S	8/1995	Sondén et al.	
D362,299	S	9/1995	Sondén et al.	
D362,300	S	9/1995	Sondén et al.	
5,452,922	A	* 9/1995	Ziu	285/123.1
D363,115	S	10/1995	Lennartsson	
5,473,815	A	12/1995	Sonden et al.	
D367,316	S	2/1996	Sondén et al.	
D368,304	S	3/1996	Morrison	
5,531,460	A	7/1996	Stefansson et al.	
D377,829	S	2/1997	Andresen	
5,599,600	A	2/1997	Rau	
5,649,662	A	7/1997	Krichau et al.	
D383,053	S	9/1997	Schrader et al.	
D383,195	S	9/1997	Sondén et al.	
D383,196	S	9/1997	Sondén et al.	
D386,246	S	11/1997	Sondén et al.	
D402,354	S	12/1998	Strong et al.	
D407,802	S	4/1999	Hatfield et al.	
6,070,915	A	* 6/2000	Luo	285/125.1
D427,667	S	7/2000	Stout, Jr.	
D427,668	S	7/2000	Stout, Jr.	
D427,673	S	7/2000	Stout, Jr.	
D430,482	S	9/2000	Stout, Jr.	
D435,090	S	12/2000	Stout, Jr.	
D437,034	S	1/2001	Stout, Jr.	
6,170,883	B1	1/2001	Mattsson et al.	
D447,223	S	8/2001	Mattsson et al.	
D454,949	S	3/2002	Mattsson et al.	
D456,071	S	4/2002	Mattsson et al.	
D456,072	S	4/2002	Mattsson et al.	
D461,887	S	8/2002	Mattsson et al.	
6,431,609	B1	8/2002	Andersson	

FOREIGN PATENT DOCUMENTS

EP 0273221 B1 7/1988

EP	0389462	A1	9/1990
EP	0758066	B1	2/1997
FR	2015241		4/1970
GB	1587018		3/1981
IT	1285018		3/1998
NO	174861		4/1994
SE	13987		1/1974
SE	17788		4/1976
SE	19819		4/1977
SE	25473		4/1980
SE	25610		4/1980
SE	26059		7/1980
SE	26995		12/1980
WO	WO9415133		7/1994

OTHER PUBLICATIONS

U.S. patent application Ser. No. 29/138,761.
U.S. patent application Ser. No. 29/138,838.
U.S. patent application Ser. No. 29/138,820.
U.S. patent application Ser. No. 29/138,820.
U.S. patent application Ser. No. 29/138,847.
U.S. patent application Ser. No. 29/138,785.
U.S. patent application Ser. No. 29/138,839.
U.S. patent application Ser. No. 29/138,830.
U.S. patent application Ser. No. 29/138,818.
U.S. patent application Ser. No. 29/138,782.
U.S. patent application Ser. No. 29/138,790.
U.S. patent application Ser. No. 29/138,783.
U.S. patent application Ser. No. 29/138,786.
U.S. patent application Ser. No. 29/138,771.
U.S. patent application Ser. No. 29/138,760.
U.S. patent application Ser. No. 29/138,836.
U.S. patent application Ser. No. 29/138,764.
U.S. patent application Ser. No. 29/138,668.
U.S. patent application Ser. No. 29/138,772.
U.S. patent application Ser. No. 29/138,784.
U.S. patent application Ser. No. 29/138,781.
U.S. patent application Ser. No. 29/138,842.
U.S. patent application Ser. No. 29/138,837.
U.S. patent application Ser. No. 29/138,763.
U.S. patent application Ser. No. 29/138,829.
U.S. patent application Ser. No. 29/138,762.
“Sistema Di Tenuta Ring”, Issued by Climovent System, an Italian Company; pp. 1–6 (Undated).
“Veloduct” catalog 1997, ABB Ventilation Products AB, Division Veloduct.

* cited by examiner

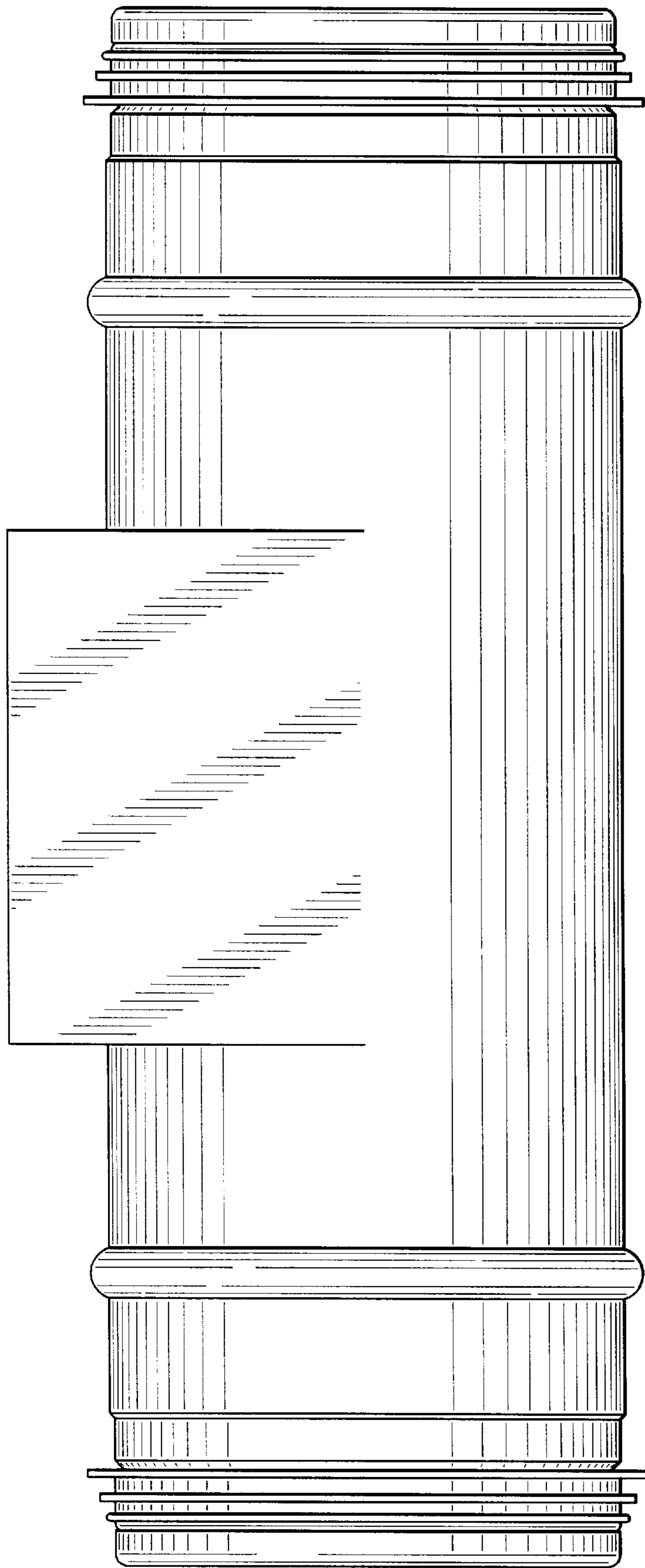


FIG. 1

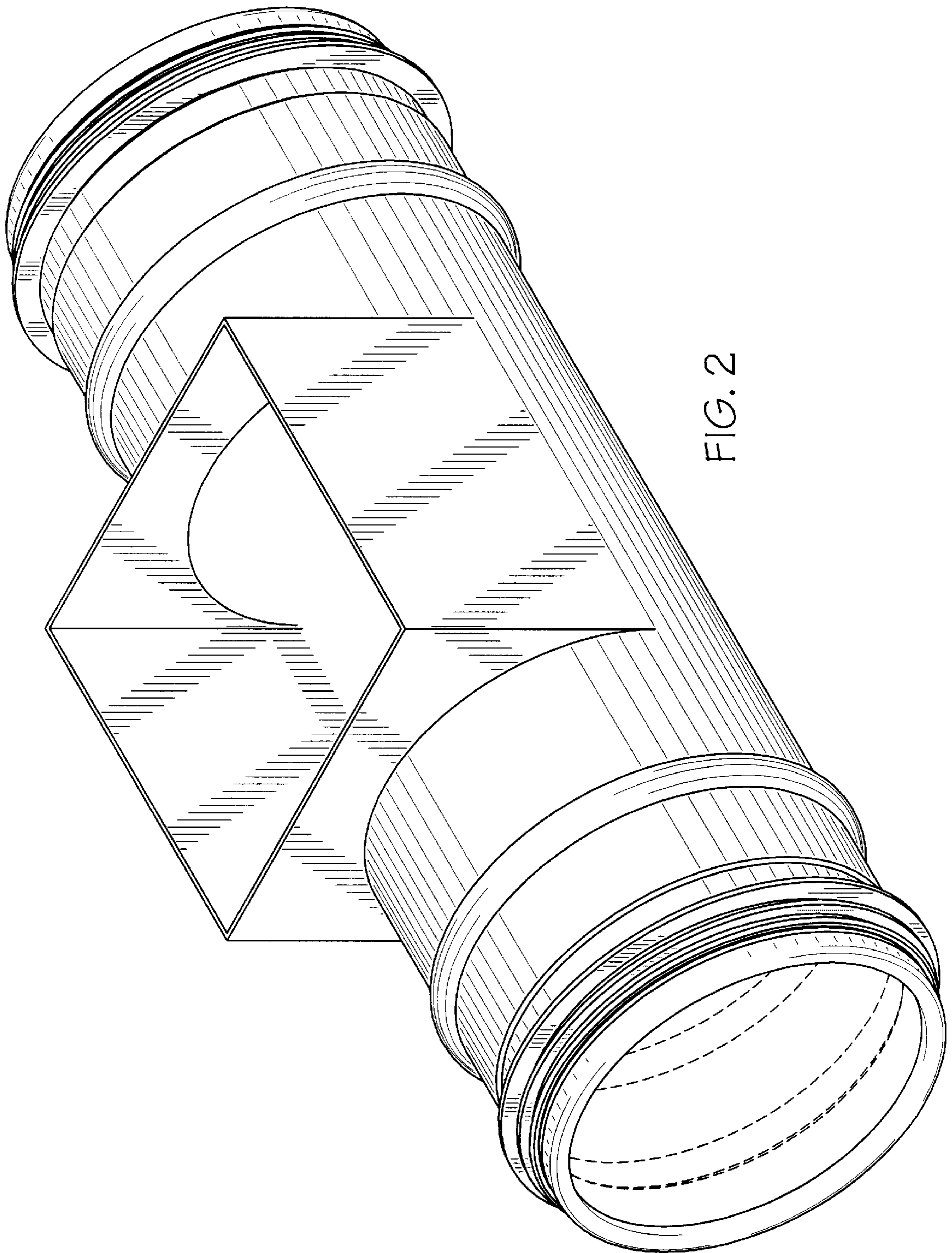


FIG. 2

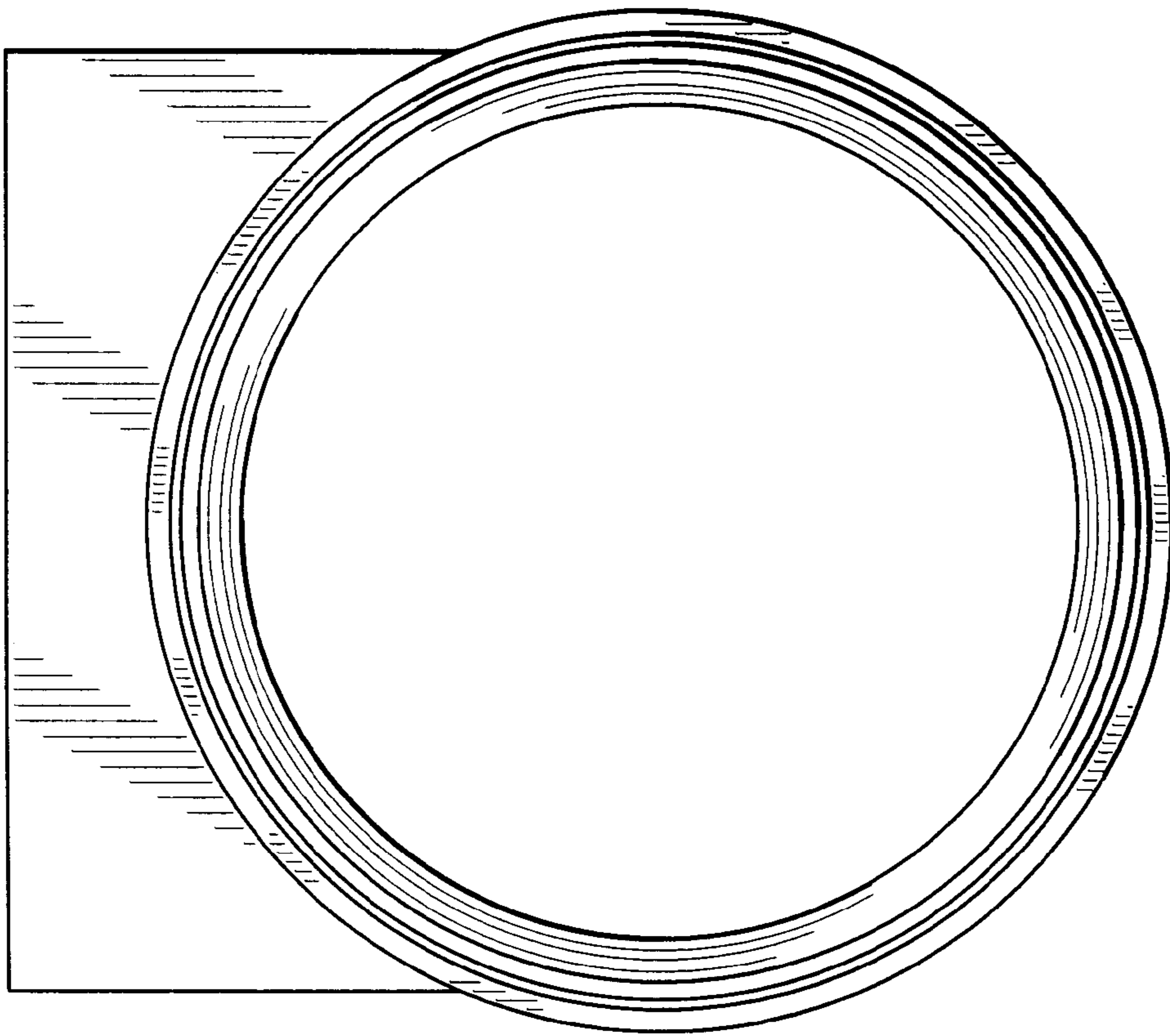


FIG. 3

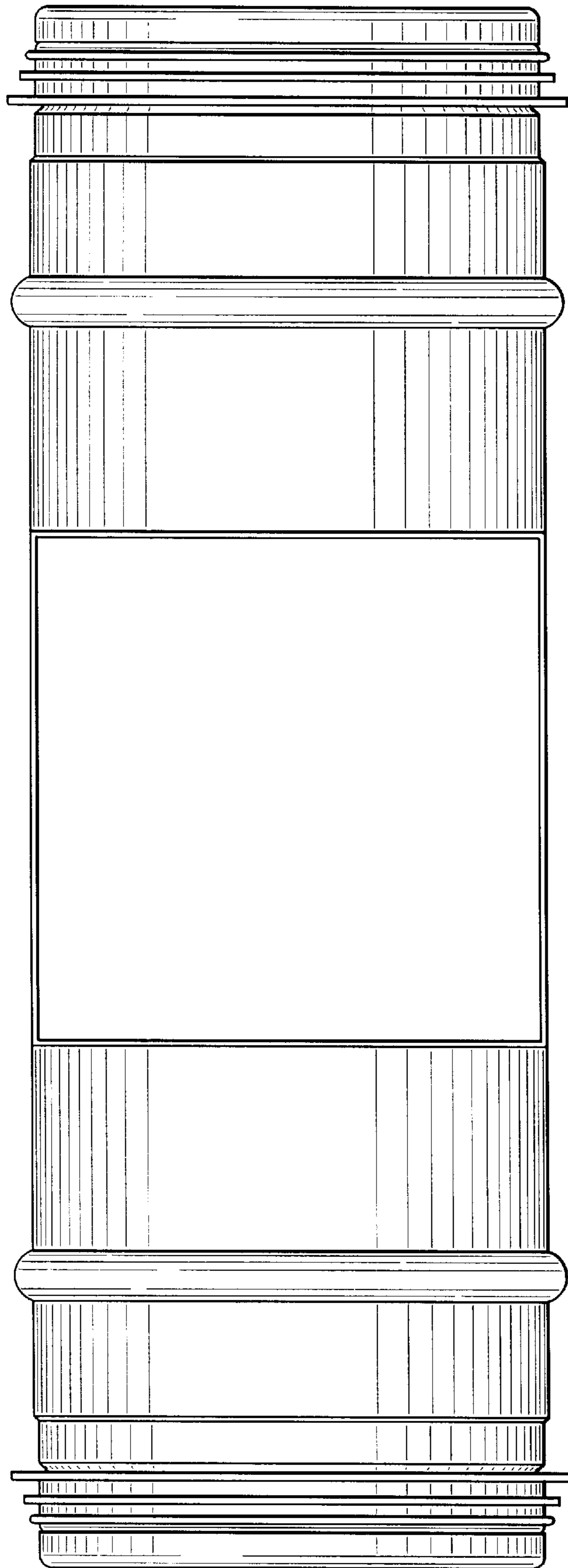


FIG. 4

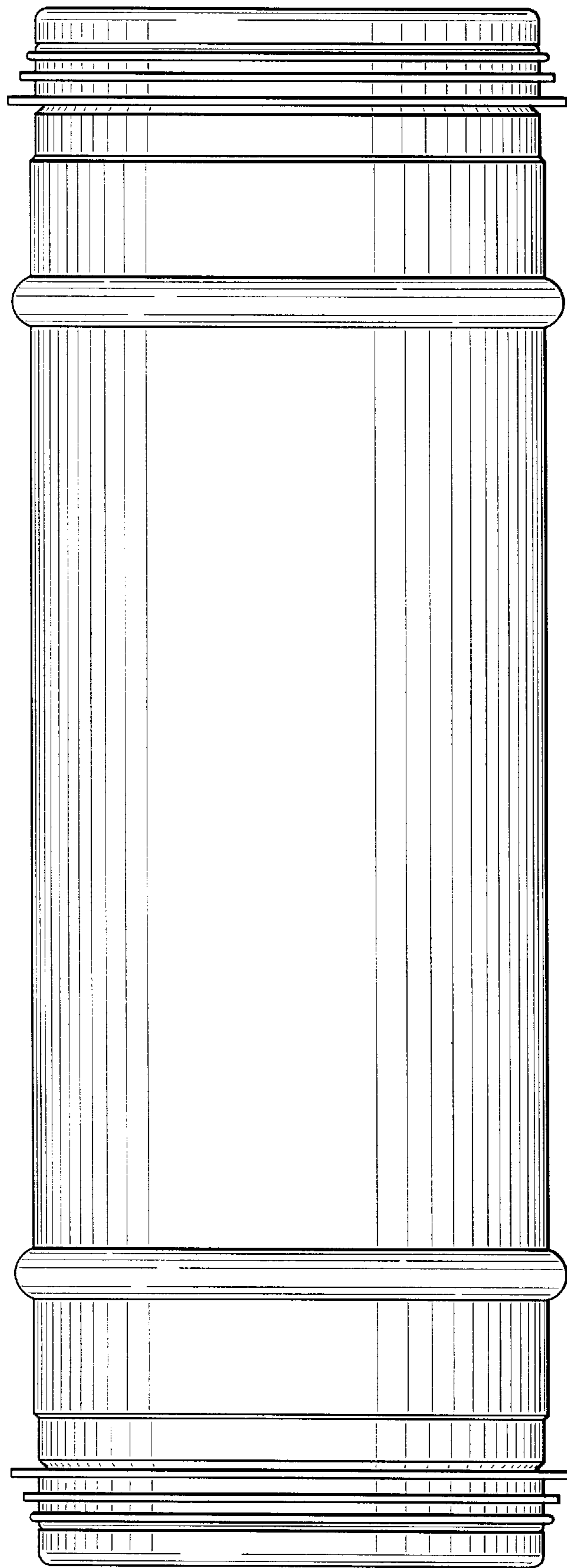


FIG. 5