



US00D475778S

(12) **United States Design Patent**
Stout, Jr.

(10) **Patent No.: US D475,778 S**

(45) **Date of Patent: ** *Jun. 10, 2003**

(54) **OFFSET DUCT WITH A CRIMPED END**

EP 0389462 A1 9/1990

(75) Inventor: **William K. Stout, Jr.**, Mason, OH (US)

(List continued on next page.)

(73) Assignee: **Eastern Sheet Metal LLC**, Cincinnati, OH (US)

OTHER PUBLICATIONS

Ducts and Fittings Product Brochure, Lindab Ltd., Northampton, Great Britain (undated), front and back covers and pp. 3–52.

(*) Notice: This patent is subject to a terminal disclaimer.

U.S. patent application Ser. No. 29/138,761.
U.S. patent application Ser. No. 29/138,838.

(**) Term: **14 Years**

(List continued on next page.)

(21) Appl. No.: **29/138,782**

Primary Examiner—Mitchell Siegel

Assistant Examiner—C Tuttle

(22) Filed: **Mar. 20, 2001**

(74) *Attorney, Agent, or Firm*—Dinsmore & Shohl LLP

(51) **LOC (7) Cl. 23-04**

(57) **CLAIM**

(52) **U.S. Cl. D23/393; D23/266**

The ornamental design for an offset duct with a crimped end, as shown and described.

(58) **Field of Search** D23/259, 262, D23/263, 266, 386, 387, 391, 393, 394; 138/111–117, DIG. 4, DIG. 11, 177, 167, 169; 285/47, 123.15, 123.16, 110, 374, 347, 232–234, 123.1, 123.3–123.7, 123.9, 148.18, 148.22, 148.23, 148.24, 148.25, 179, 179.2, 181, 183, 332, 332.1, 334.5, 399, 189, 424; 454/228–236, 243, 270, 903, 906; 126/307 R, 312, 307 A, 314–317

DESCRIPTION

FIG. 1 is a front elevational view of a first embodiment of the offset duct with a crimped end; the rear elevational view being a mirror image of FIG. 1;

FIG. 2 is a front perspective view of the offset duct of FIG. 1;

FIG. 3 is a left end view of the offset duct of FIG. 1;

FIG. 4 is a right end view of the offset duct of FIG. 1;

FIG. 5 is a top view of the offset duct of FIG. 1;

FIG. 6 is a bottom view of the offset duct of FIG. 1;

FIG. 7 is a front elevational view of a second embodiment of the offset duct with a crimped end; the rear elevational view being a mirror image of FIG. 7;

FIG. 8 is a front perspective view of the offset duct of FIG. 7;

FIG. 9 is a left end view of the offset duct of FIG. 7;

FIG. 10 is a right end view of the offset duct of FIG. 7;

FIG. 11 is a top view of the offset duct of FIG. 7; and,

FIG. 12 is a bottom view of the offset duct of FIG. 7.

The broken lines shown in FIGS. 2–4 and 8–10 are for illustrative purposes only and form no part of the claimed design.

(56) **References Cited**

U.S. PATENT DOCUMENTS

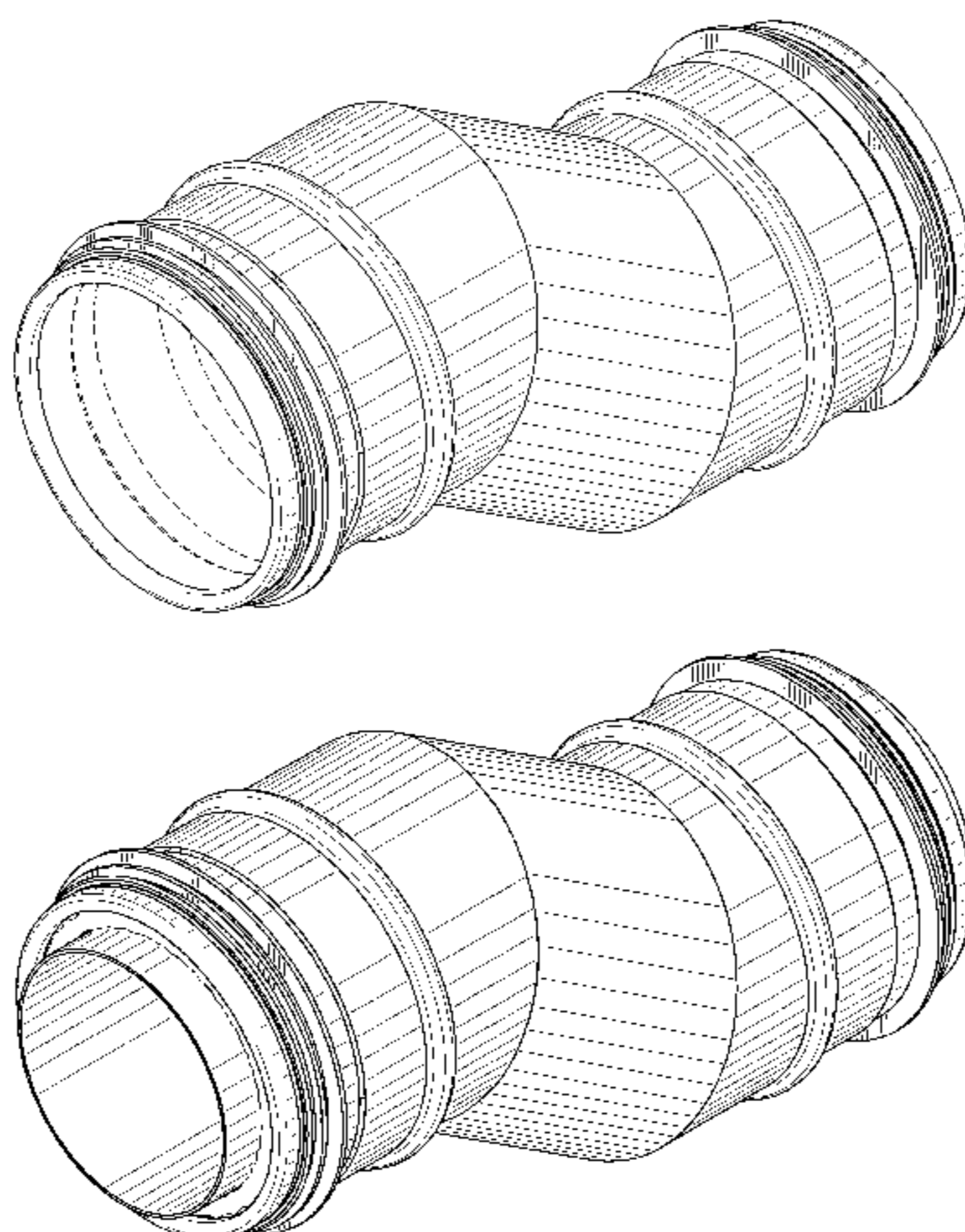
199,619 A *	1/1878	Corby	126/312
287,494 A *	10/1883	Barker	285/183
D25,709 S	6/1896	Pratt		
1,414,560 A *	5/1922	Fat	114/212
1,565,918 A	12/1925	Fitzgerald		
1,570,974 A	1/1926	Stevens		

(List continued on next page.)

FOREIGN PATENT DOCUMENTS

DE	2840962	4/1979
DK	150025 B	11/1986
EP	092881 A2	11/1983
EP	0273221 B1	7/1988

1 Claim, 10 Drawing Sheets



US D475,778 S

Page 2

U.S. PATENT DOCUMENTS

2,039,542	A	*	5/1936	Lindquist	285/133.3
2,314,386	A		3/1943	Brend		
2,379,632	A	*	7/1945	Foisey	285/276
2,544,108	A		3/1951	Richardson		
2,616,728	A	*	11/1952	Pitt	285/47
2,930,635	A		3/1960	Woodling		
3,015,510	A		1/1962	Bates		
D195,243	S	*	5/1963	Kelly	D23/263
D234,847	S		4/1975	Hoffman		
3,955,834	A		5/1976	Ahlrot		
4,007,941	A		2/1977	Stancati		
4,050,703	A		9/1977	Tuvelsson et al.		
4,193,246	A		3/1980	Schiefer et al.		
4,216,981	A		8/1980	Jensen		
4,369,159	A		1/1983	Irmer		
D273,702	S		5/1984	Widerby et al.		
4,664,421	A		5/1987	Jones		
5,390,961	A	*	2/1995	Guthrie	285/41
5,405,174	A		4/1995	Sondén et al.		
5,407,122	A		4/1995	Stefansson et al.		
D360,018	S		7/1995	Sondén et al.		
D360,019	S		7/1995	Sondén et al.		
D360,020	S		7/1995	Sondéen et al.		
D360,021	S		7/1995	Sondén et al.		
D361,829	S		8/1995	Sondén et al.		
D362,299	S		9/1995	Sondén et al.		
D362,300	S		9/1995	Sondén et al.		
5,452,922	A	*	9/1995	Ziu	285/133.1
D363,115	S		10/1995	Lennartsson		
5,473,815	A		12/1995	Sonden et al.		
D367,316	S		2/1996	Sonden et al.		
D368,304	S		3/1996	Morrison		
5,531,460	A		7/1996	Stefansson et al.		
D377,829	S		2/1997	Andresen		
5,599,600	A		2/1997	Rau		
5,649,662	A		7/1997	Krichau et al.		
D383,053	S		9/1997	Schrader et al.		
D383,195	S		9/1997	Sondén et al.		
D383,196	S		9/1997	Sondén et al.		
D386,246	S		11/1997	Sondén et al.		
D402,354	S		12/1998	Strong et al.		
D407,802	S		4/1999	Hatfield et al.		
D427,667	S		7/2000	Stout, Jr.		
D427,668	S		7/2000	Stout, Jr.		
D427,673	S		7/2000	Stout, Jr.		
D430,482	S		9/2000	Stout, Jr.		
D435,090	S		12/2000	Stout, Jr.		
D437,034	S		1/2001	Stout, Jr.		
6,170,883	B1		1/2001	Mattssön et al.		
D447,223	S		8/2001	Mattsson et al.		
D454,949	S		3/2002	Mattsson et al.		
D456,071	S		4/2002	Mattsson et al.		
D456,072	S		4/2002	Mattsson et al.		

D461,887	S	8/2002	Mattsson et al.
6,431,609	B1	8/2002	Andersson

FOREIGN PATENT DOCUMENTS

EP	0758066	B1	2/1997
FR	2015241		4/1970
GB	1587018		3/1981
IT	1285018		3/1998
NO	174861		4/1994
SE	13987		1/1974
SE	17788		4/1976
SE	19819		4/1977
SE	25473		4/1980
SE	25610		4/1980
SE	26059		7/1980
SE	26995		12/1980
WO	WO9415133		7/1994

OTHER PUBLICATIONS

U.S. patent application Ser. No. 29/138,820.
 U.S. patent application Ser. No. 29/138,847.
 U.S. patent application Ser. No. 29/138,785.
 U.S. patent application Ser. No. 29/138,839.
 U.S. patent application Ser. No. 29/138,830.
 U.S. patent application Ser. No. 29/138,819.
 U.S. patent application Ser. No. 29/138,818.
 U.S. patent application Ser. No. 29/138,790.
 U.S. patent application Ser. No. 29/138,783.
 U.S. patent application Ser. No. 29/138,786.
 U.S. patent application Ser. No. 29/138,771.
 U.S. patent application Ser. No. 29/138,760.
 U.S. patent application Ser. No. 29/138,836.
 U.S. patent application Ser. No. 29/138,764.
 U.S. patent application Ser. No. 29/138,668.
 U.S. patent application Ser. No. 29/138,772.
 U.S. patent application Ser. No. 29/138,784.
 U.S. patent application Ser. No. 29/138,781.
 U.S. patent application Ser. No. 29/138,842.
 U.S. patent application Ser. No. 29/138,837.
 U.S. patent application Ser. No. 29/138,763.
 U.S. patent application Ser. No. 29/138,829.
 U.S. patent application Ser. No. 29/138,762.
 "Sistema Di Tenuta Ring", Issued by Climovent System, an Italian Company; pp. 1-6 (Undated).
 "Veloduct" catalog 1997, ABB Ventilation Products, AB Division Veloduct.
 Hallstroms Verkstader 2 page advertisement and an English translation of portions thereof. Mar. 21, 2000.

* cited by examiner

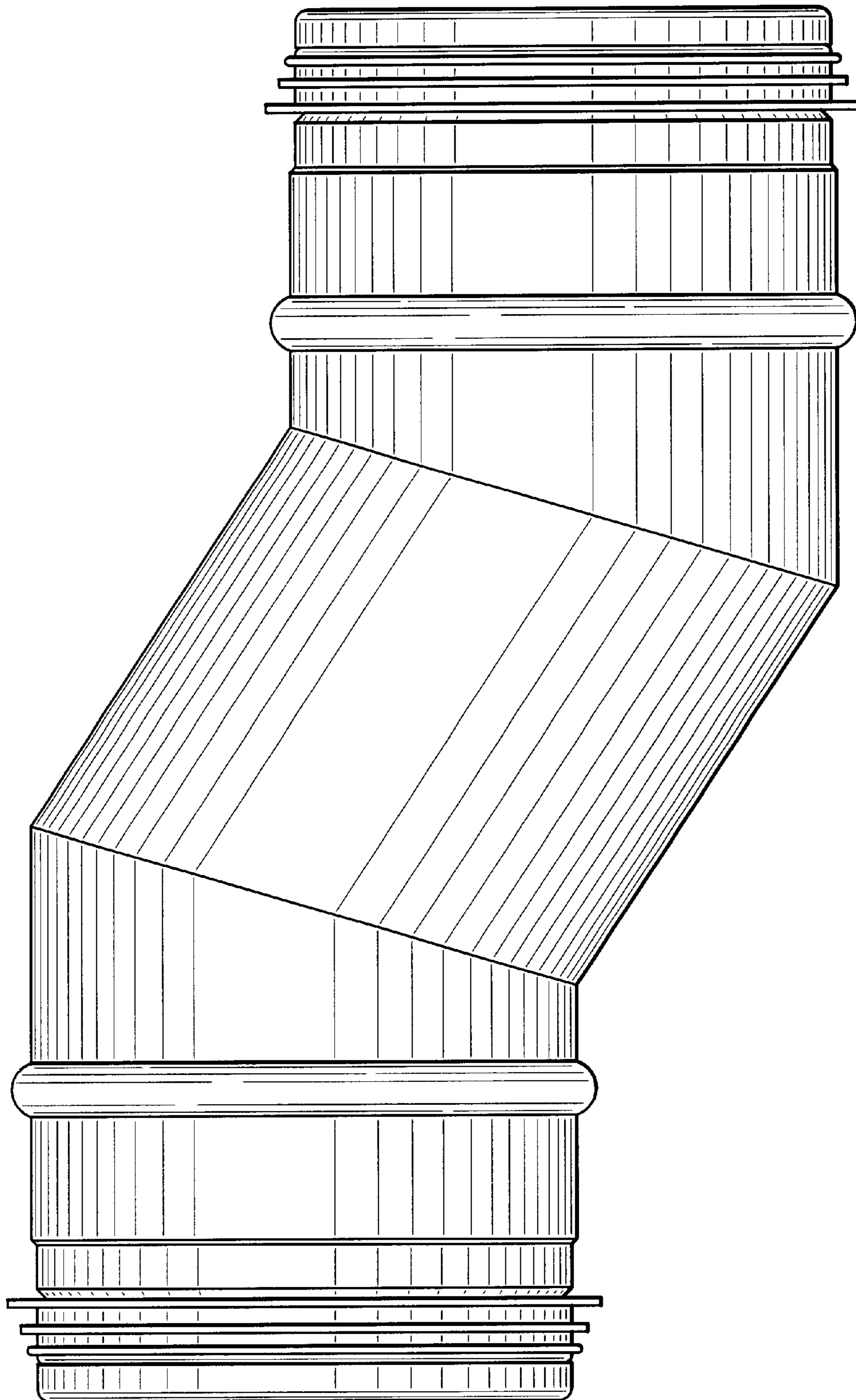


FIG. 1

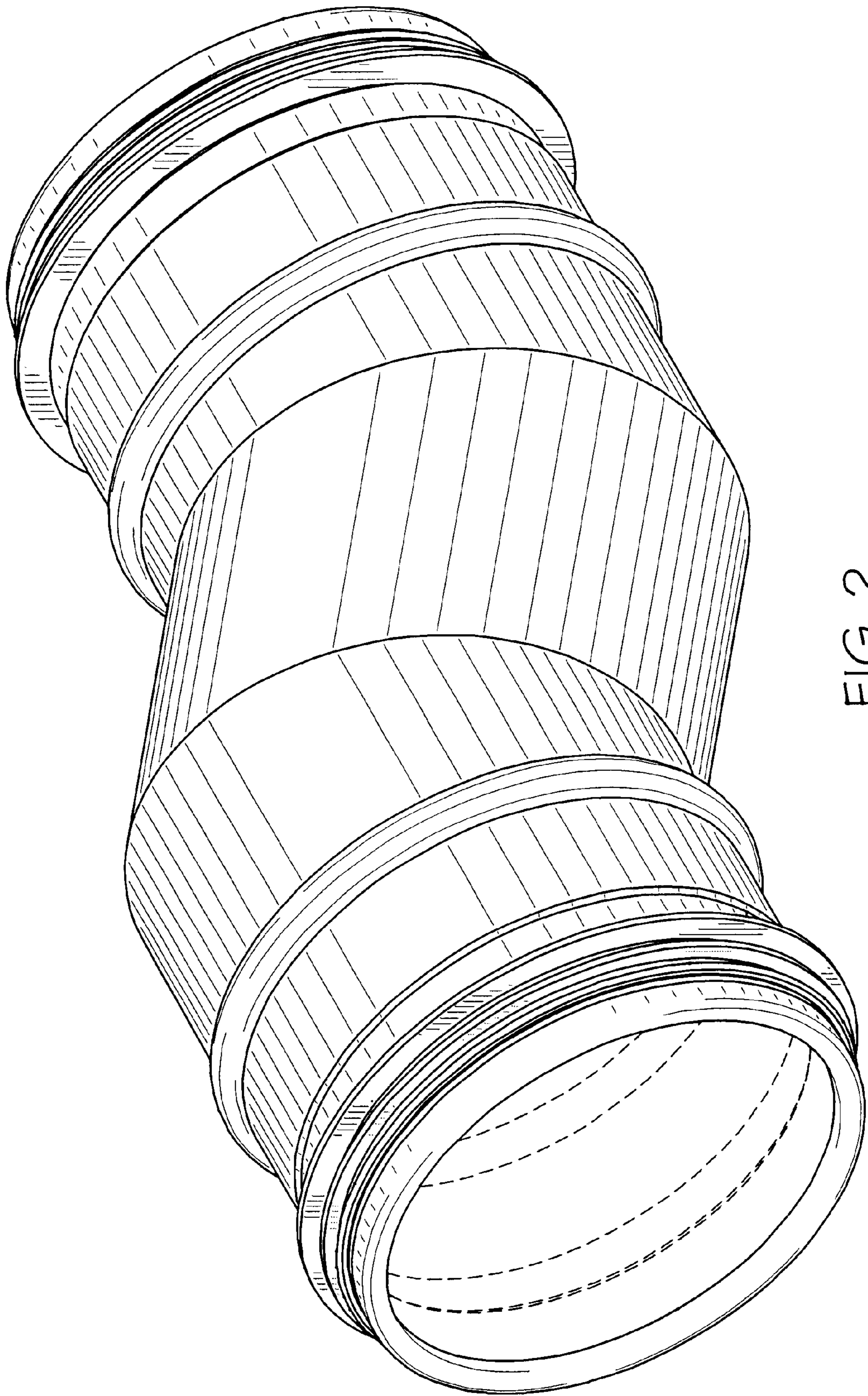


FIG. 2

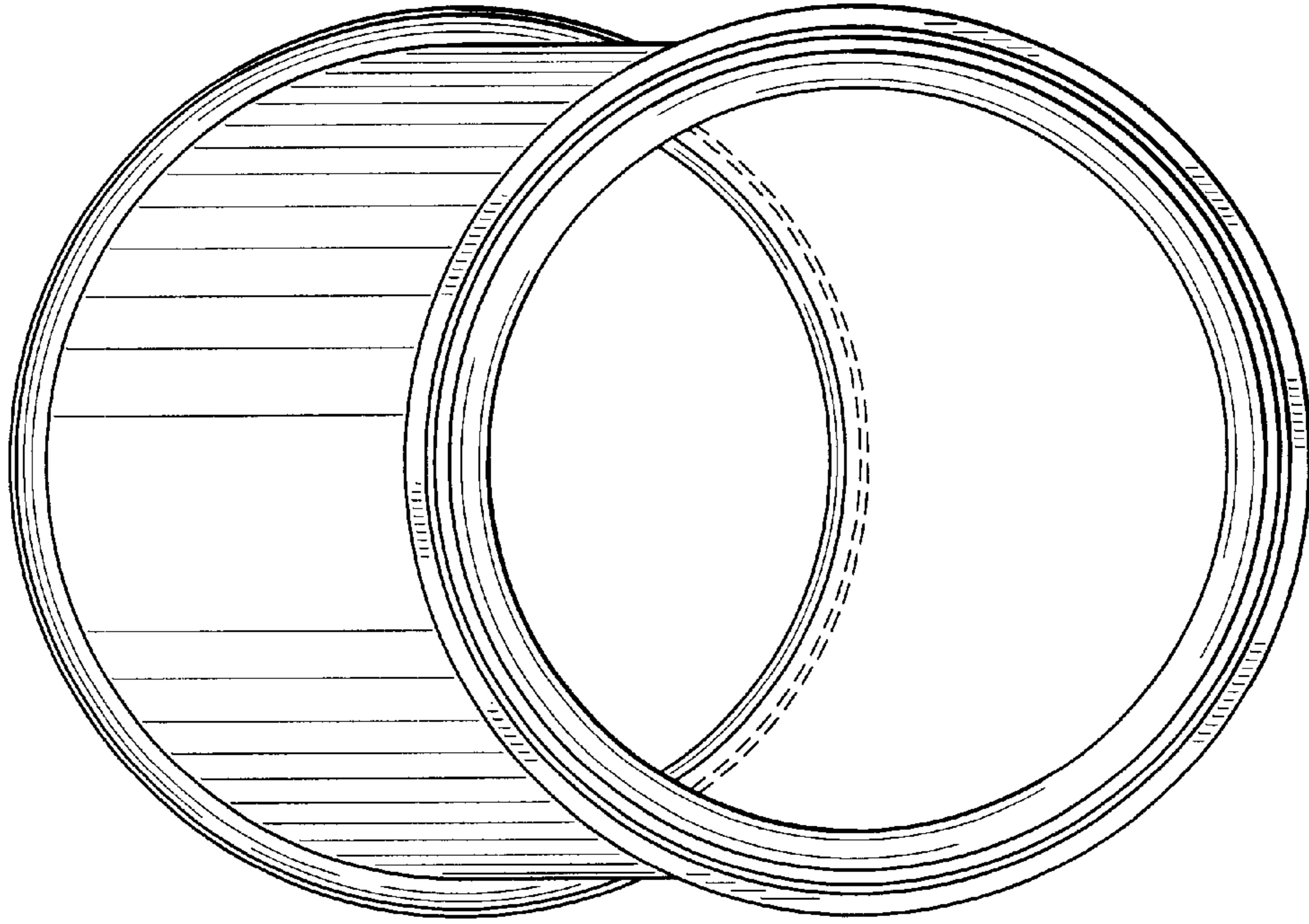


FIG. 4

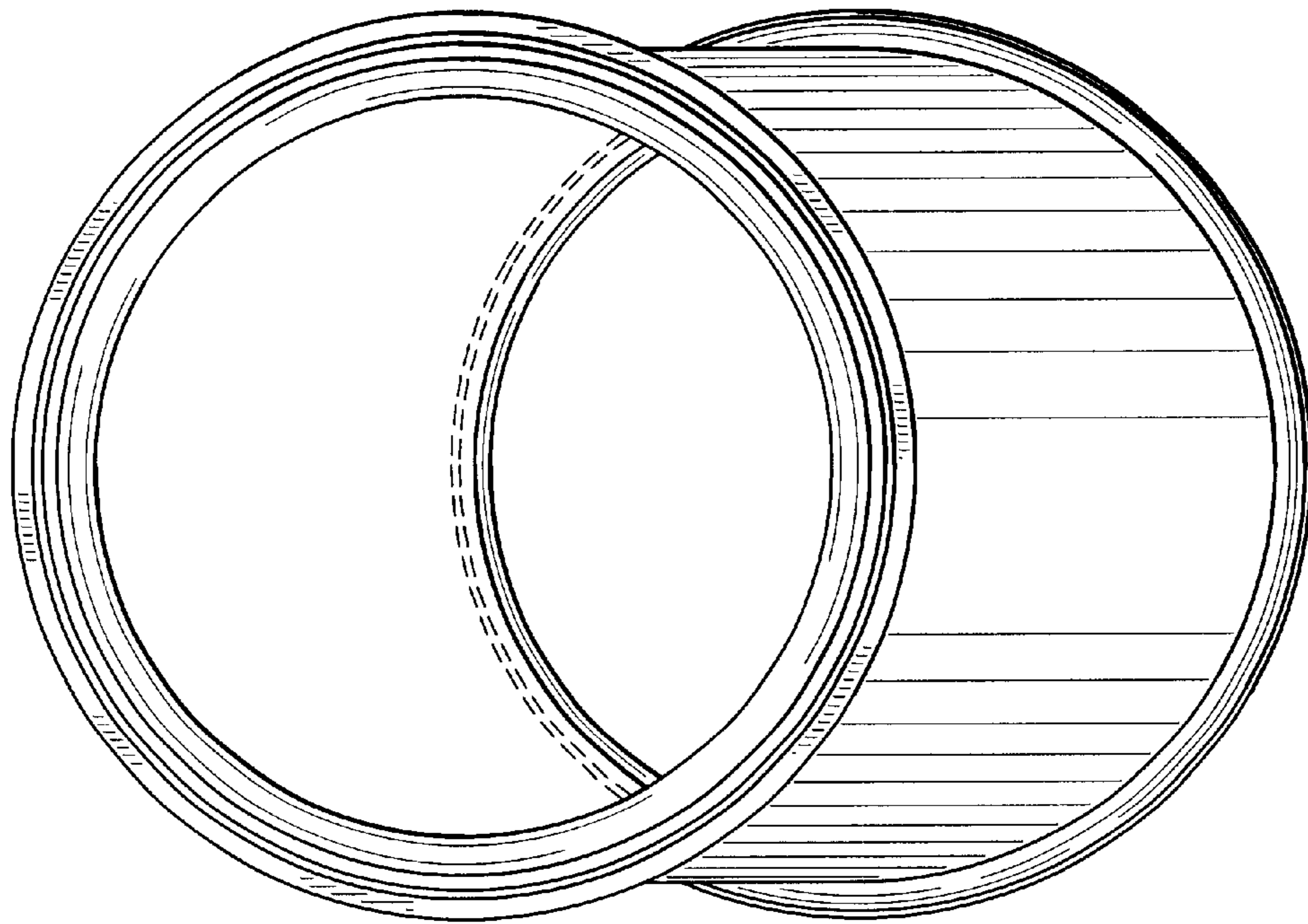


FIG. 3

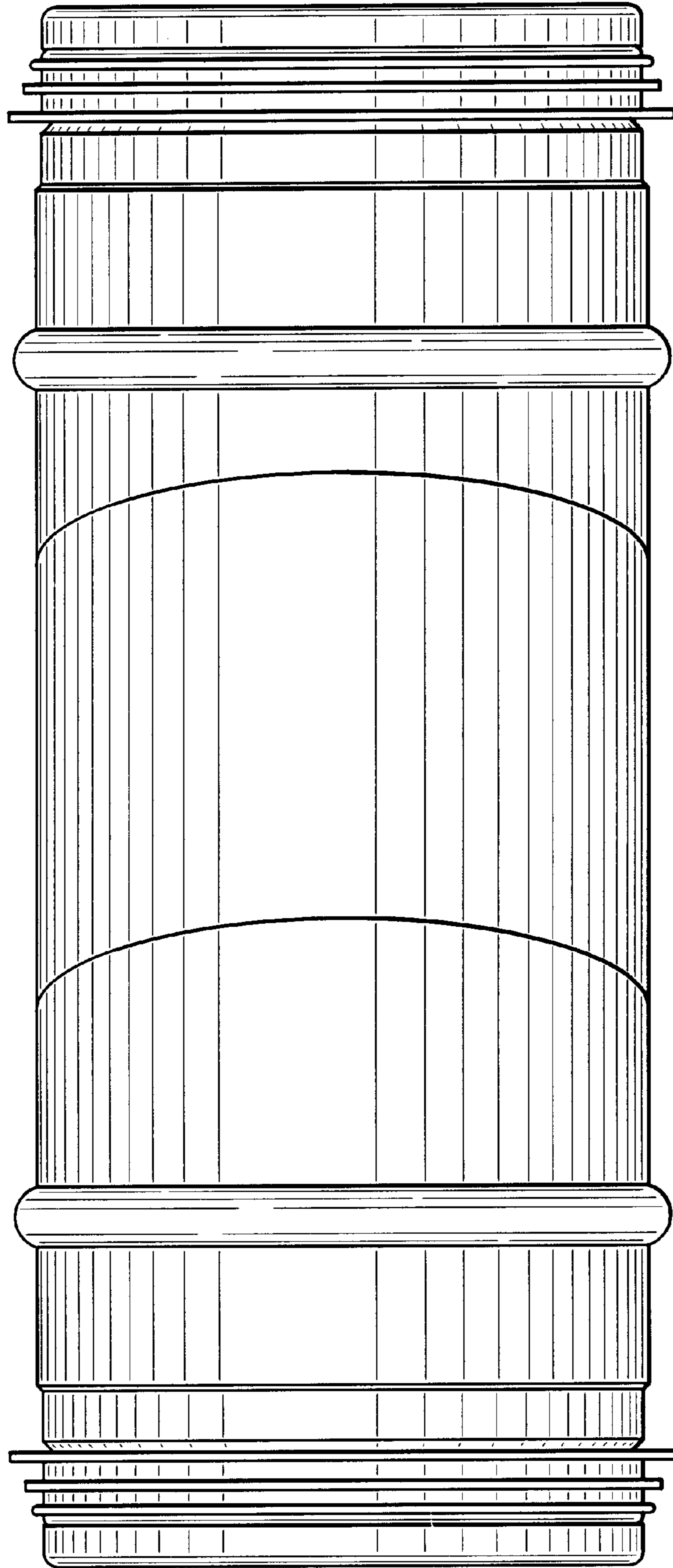


FIG. 5

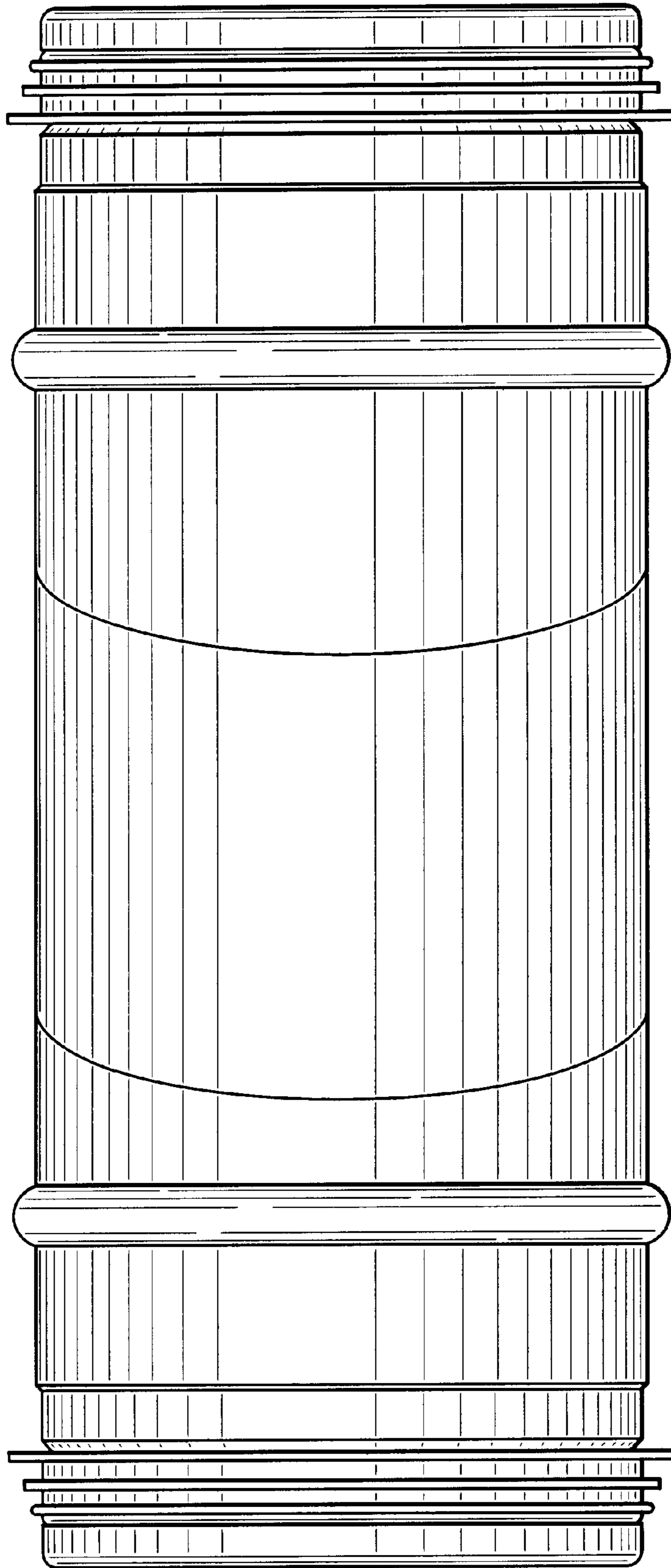


FIG. 6

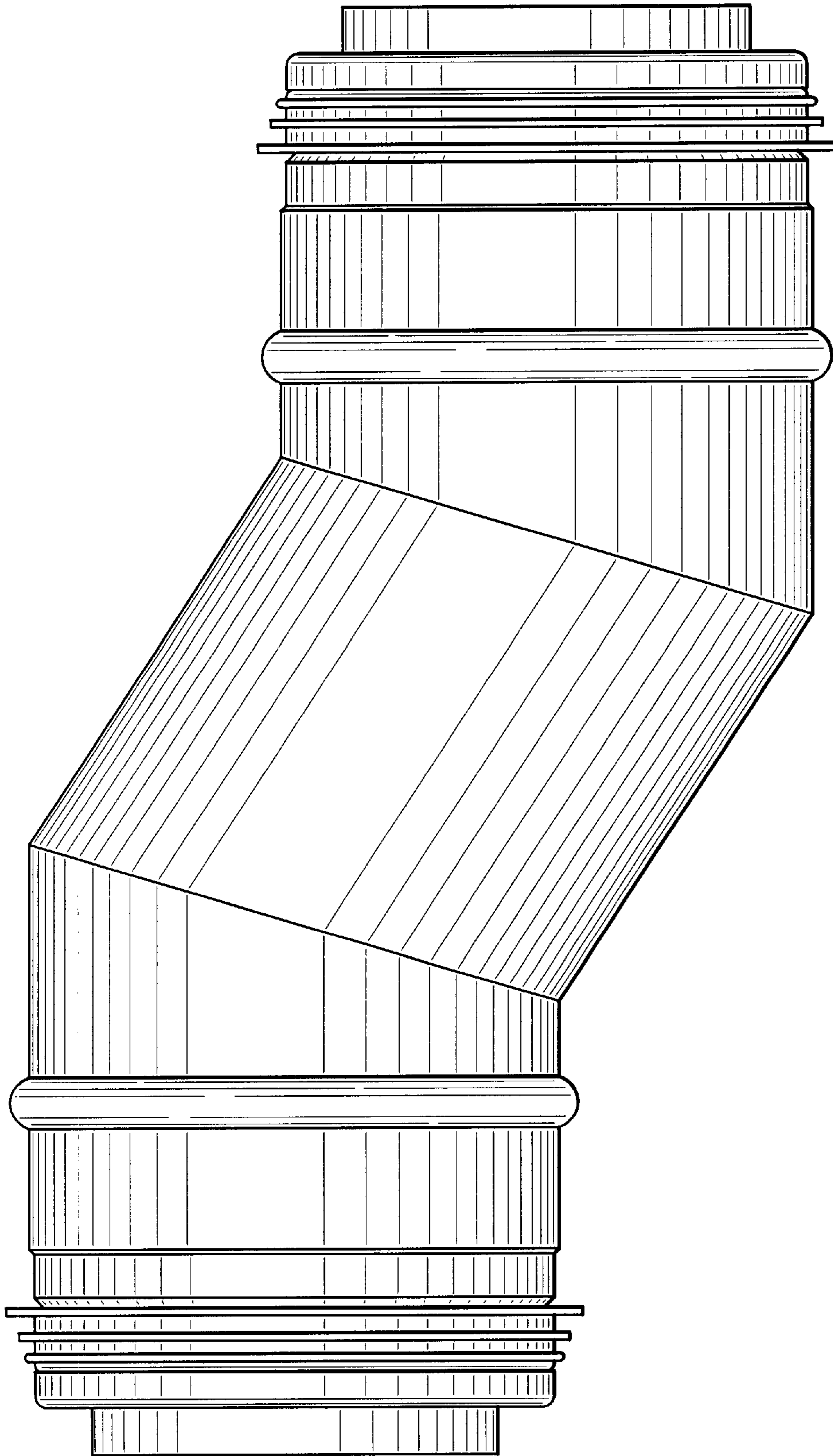


FIG. 7

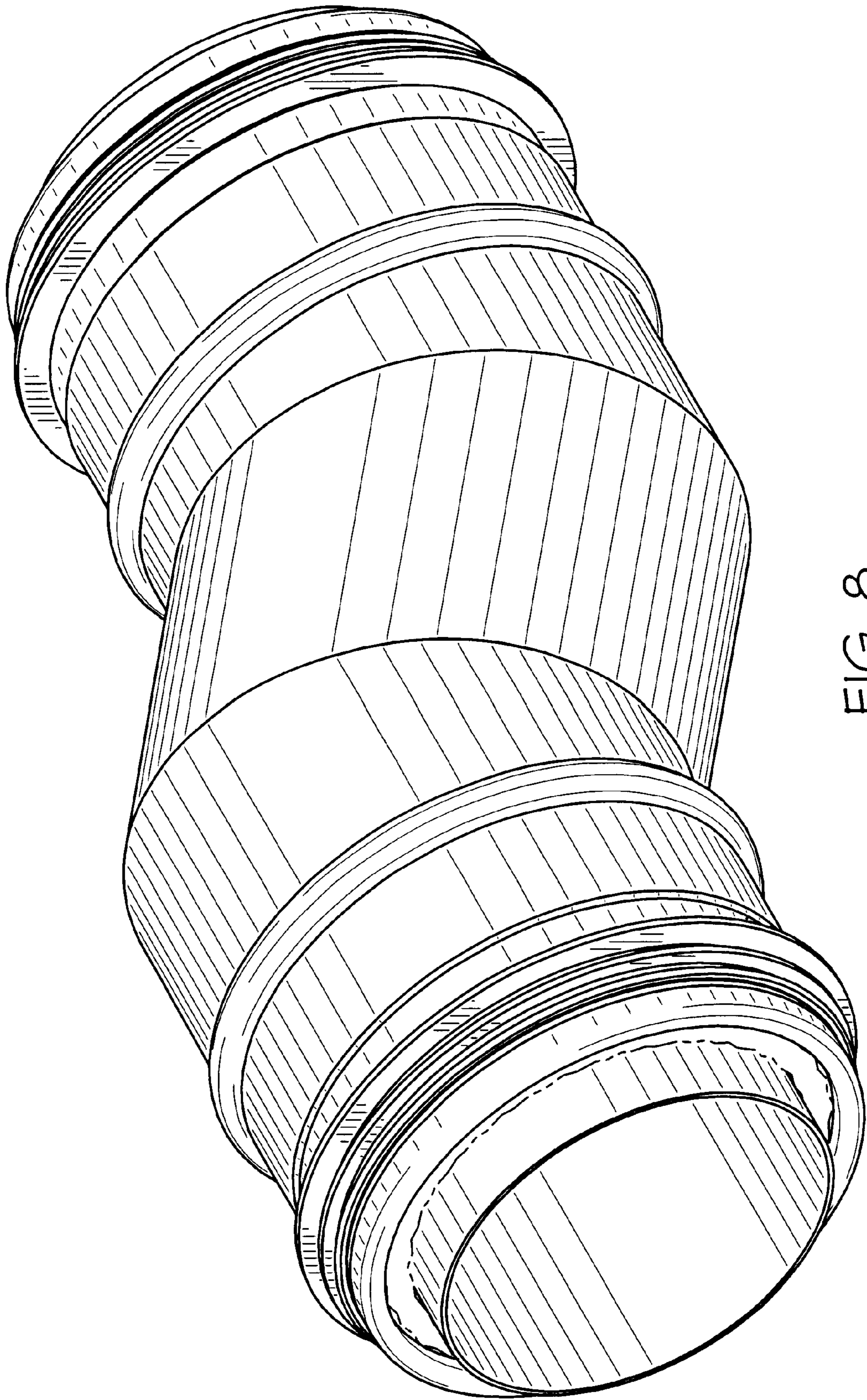


FIG. 8

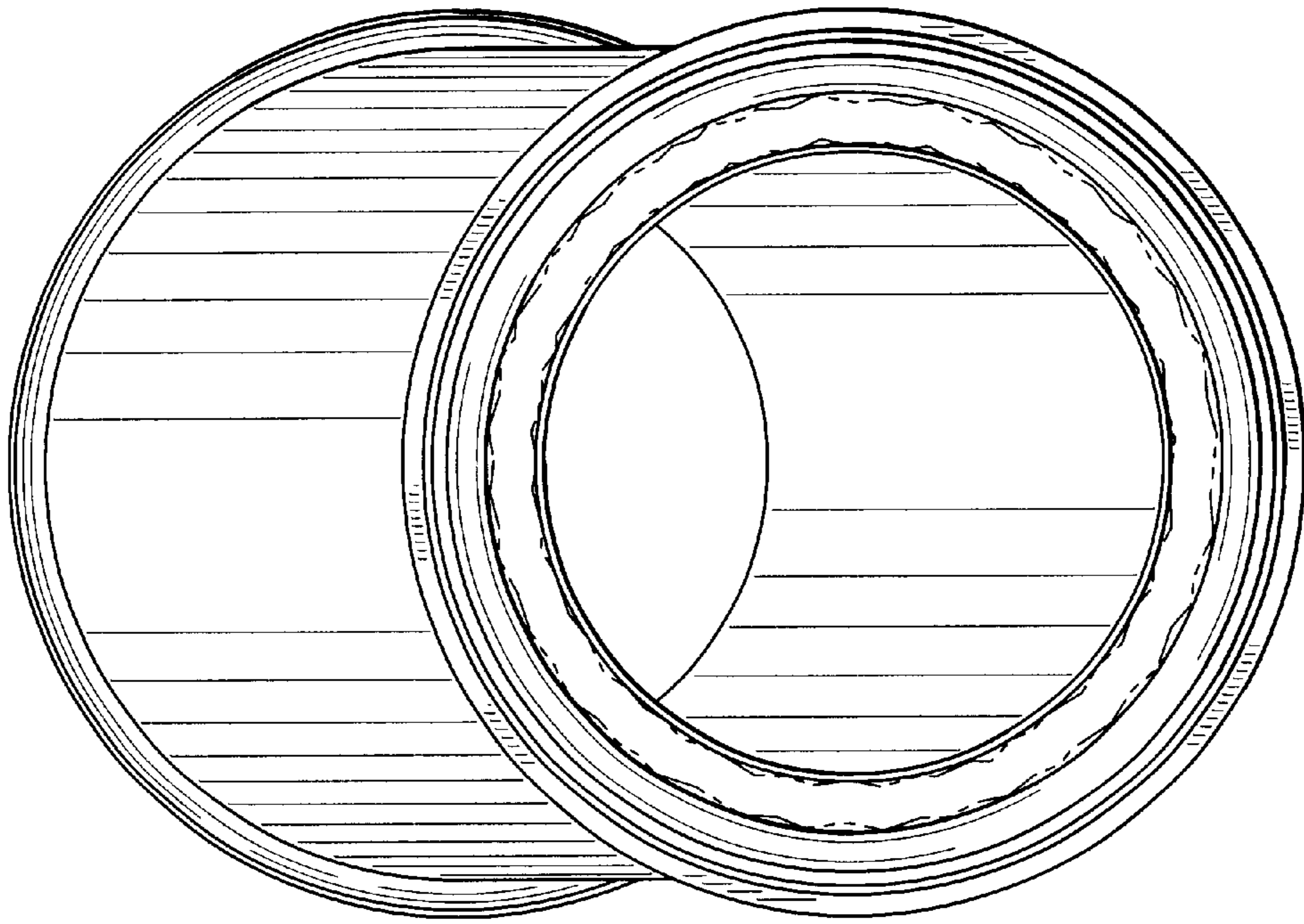


FIG. 10

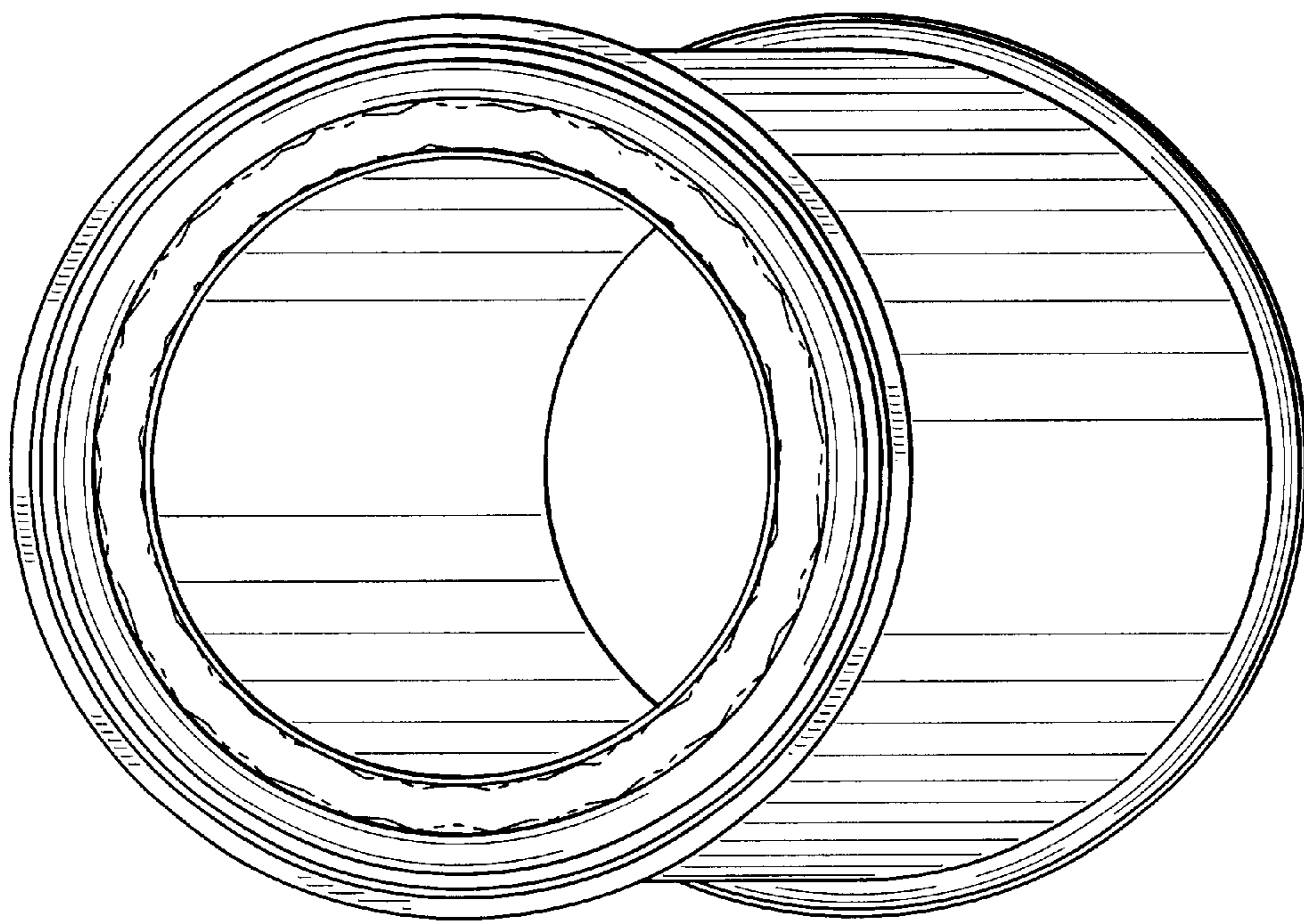


FIG. 9

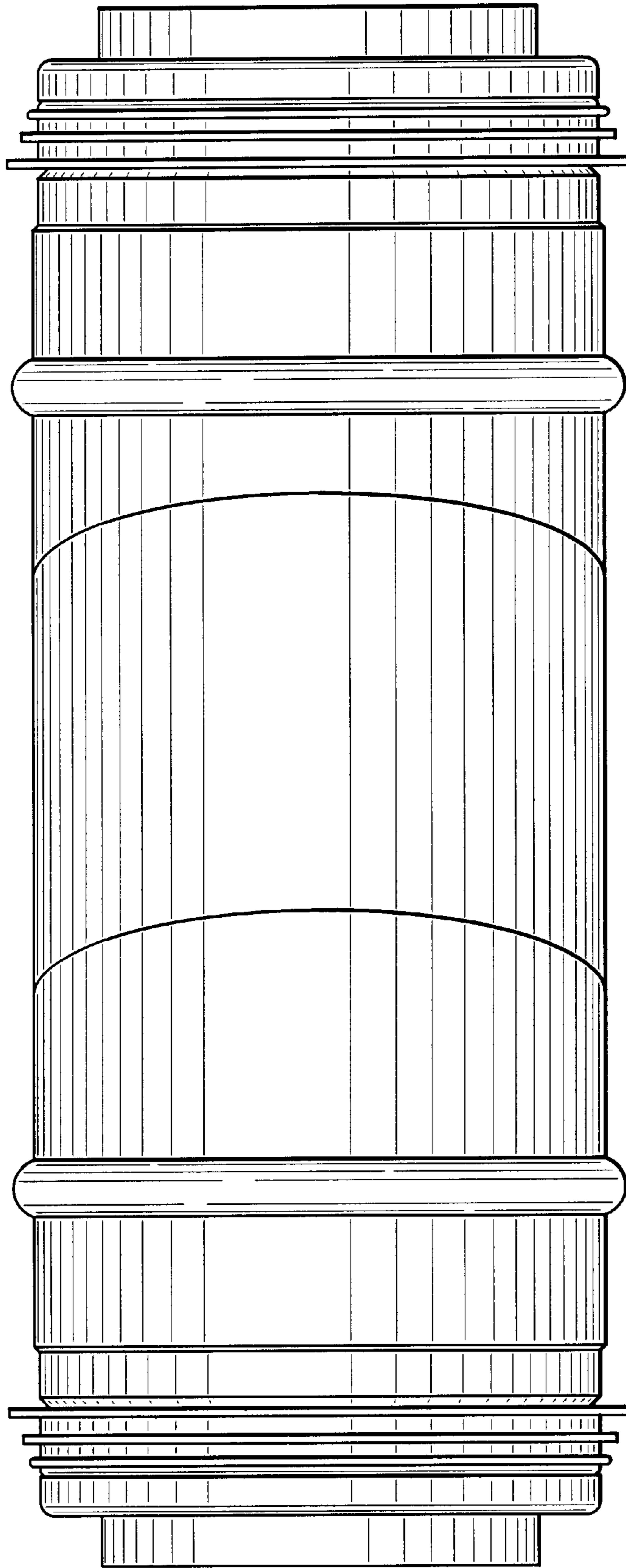


FIG. 11

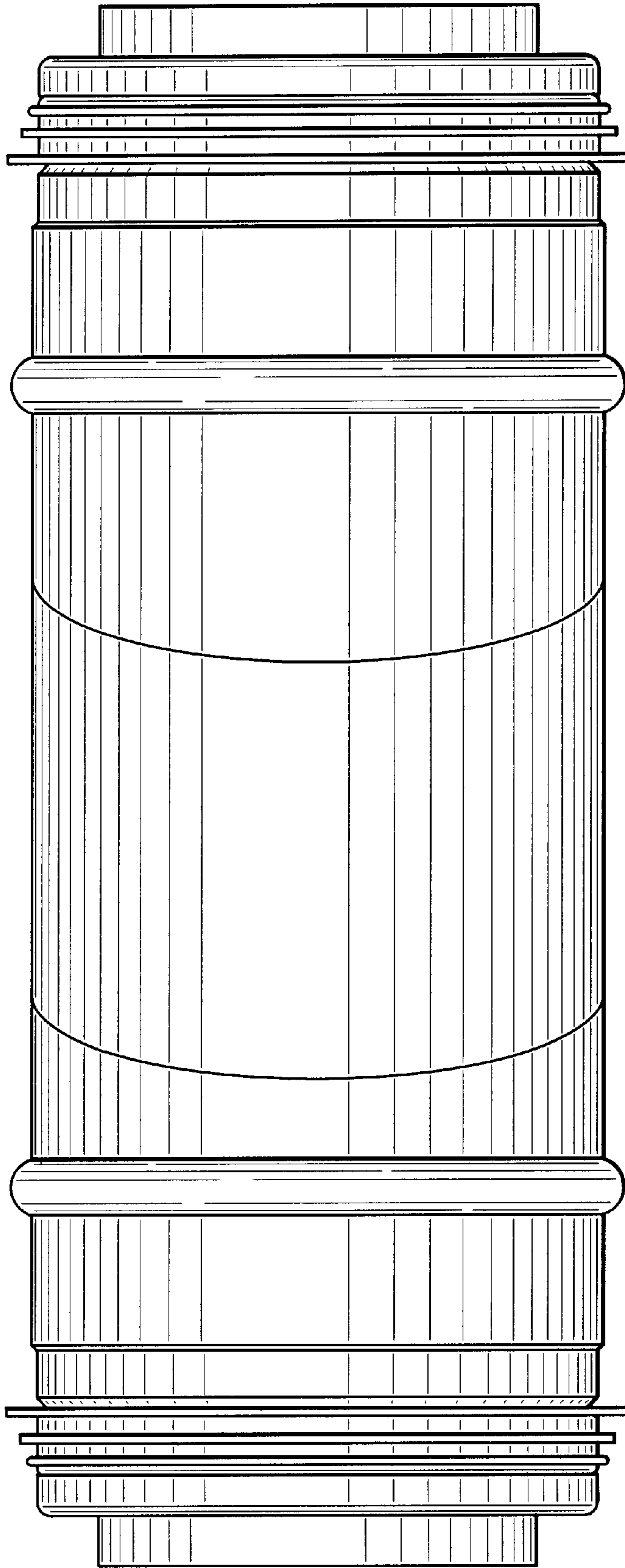


FIG. 12