



US00D475777S

(12) **United States Design Patent**
Pennington

(10) **Patent No.:** **US D475,777 S**

(45) **Date of Patent:** **** Jun. 10, 2003**

(54) **BAT FAN**

(76) **Inventor:** **B. Carter Pennington**, 175 Cider Mill Loop, Wappingers Falls, NY (US) 12590

(**) **Term:** **14 Years**

(21) **Appl. No.:** **29/157,373**

(22) **Filed:** **Mar. 18, 2002**

(51) **LOC (7) Cl.** **23-04**

(52) **U.S. Cl.** **D23/379**

(58) **Field of Search** D23/370, 379, D23/377; 416/146 R, 63

(56) **References Cited**

U.S. PATENT DOCUMENTS

D334,976 S * 4/1993 Yuen D23/377

D409,976 S * 5/1999 Buck D23/377

* cited by examiner

Primary Examiner—Lisa Lichtenstein

(74) *Attorney, Agent, or Firm*—Gottlieb, Rackman & Reisman, P.C.

(57) **CLAIM**

The ornamental design for a bat fan, as shown and described.

DESCRIPTION

FIG. 1 is a perspective view of the bat fan showing my new design;

FIG. 2 is a top plan view of FIG. 1, the bottom being substantially a mirror image of that shown except for the switch;

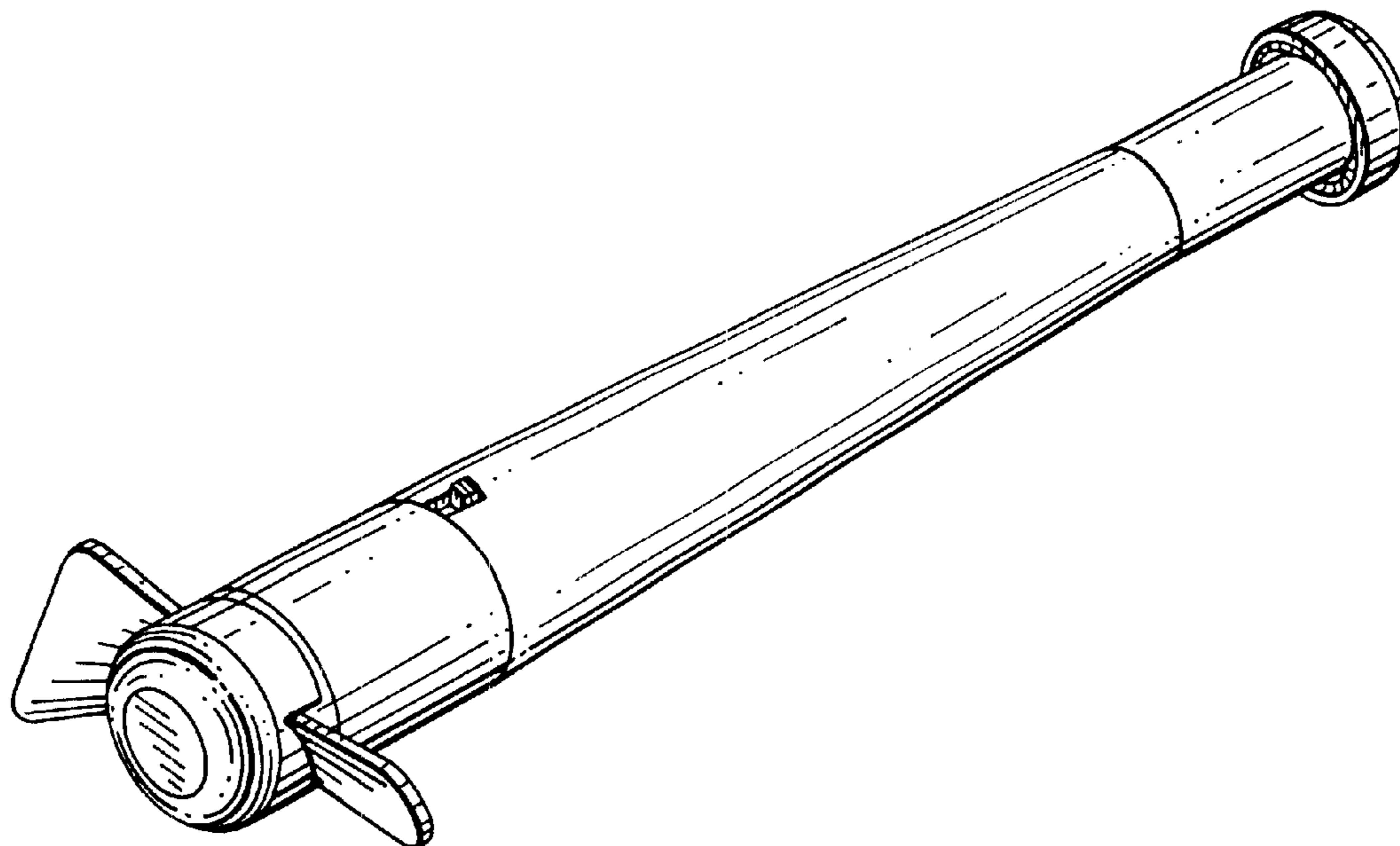
FIG. 3 is a front elevation view of FIG. 1;

FIG. 4 is a rear elevational view of FIG. 1;

FIG. 5 is a right side elevational view of FIG. 1; the left side elevational view being a mirror image thereof; and,

FIG. 6 is an exploded view of FIG. 1.

1 Claim, 3 Drawing Sheets



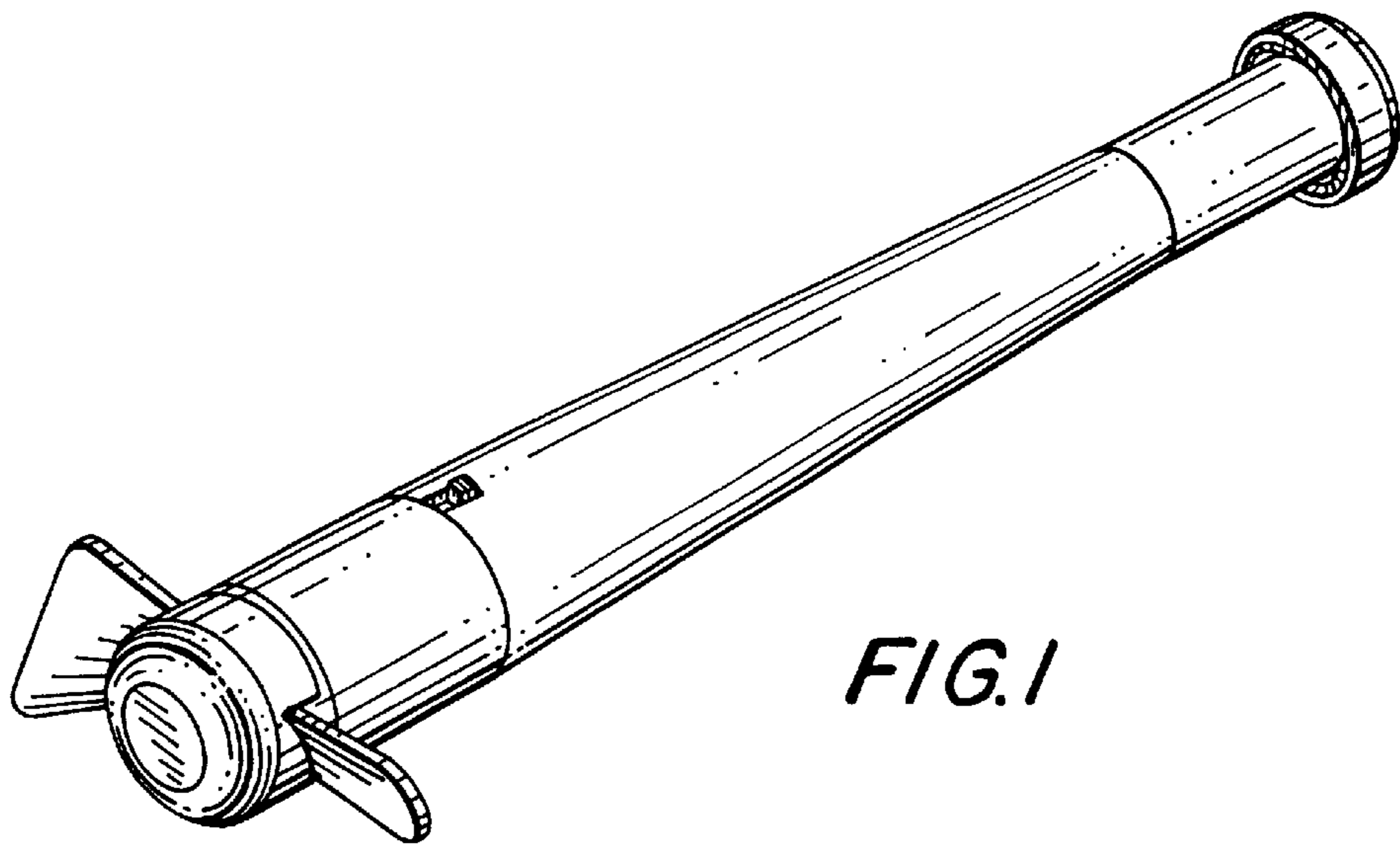


FIG. 1

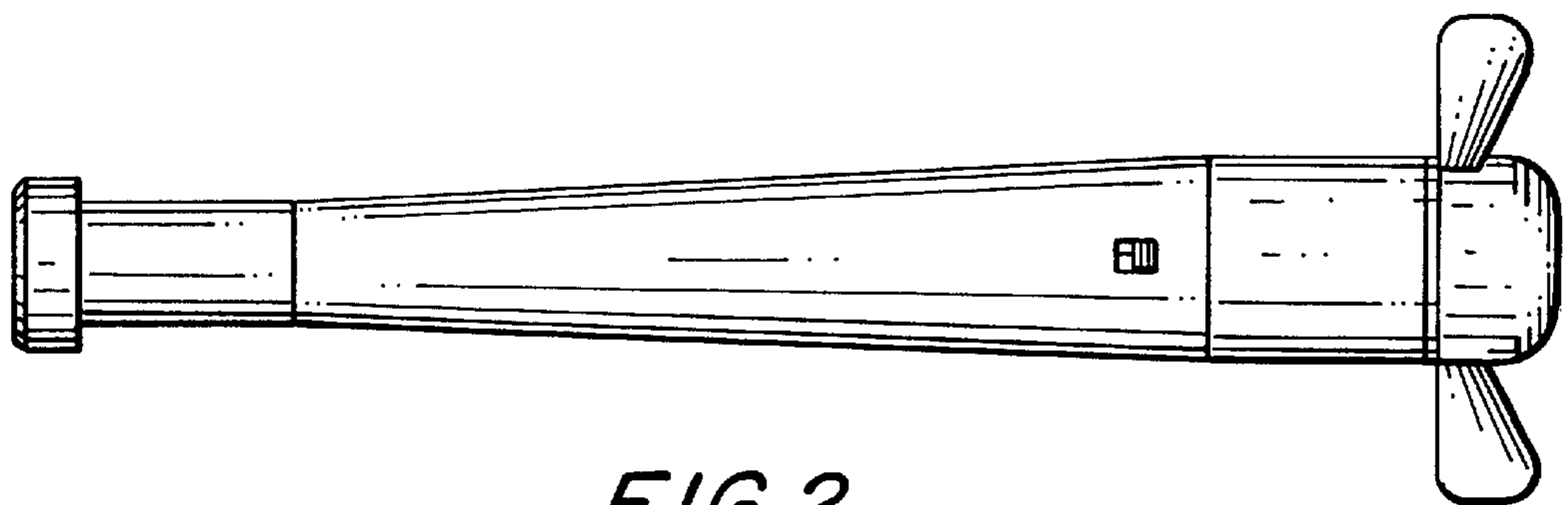


FIG. 2

FIG.3

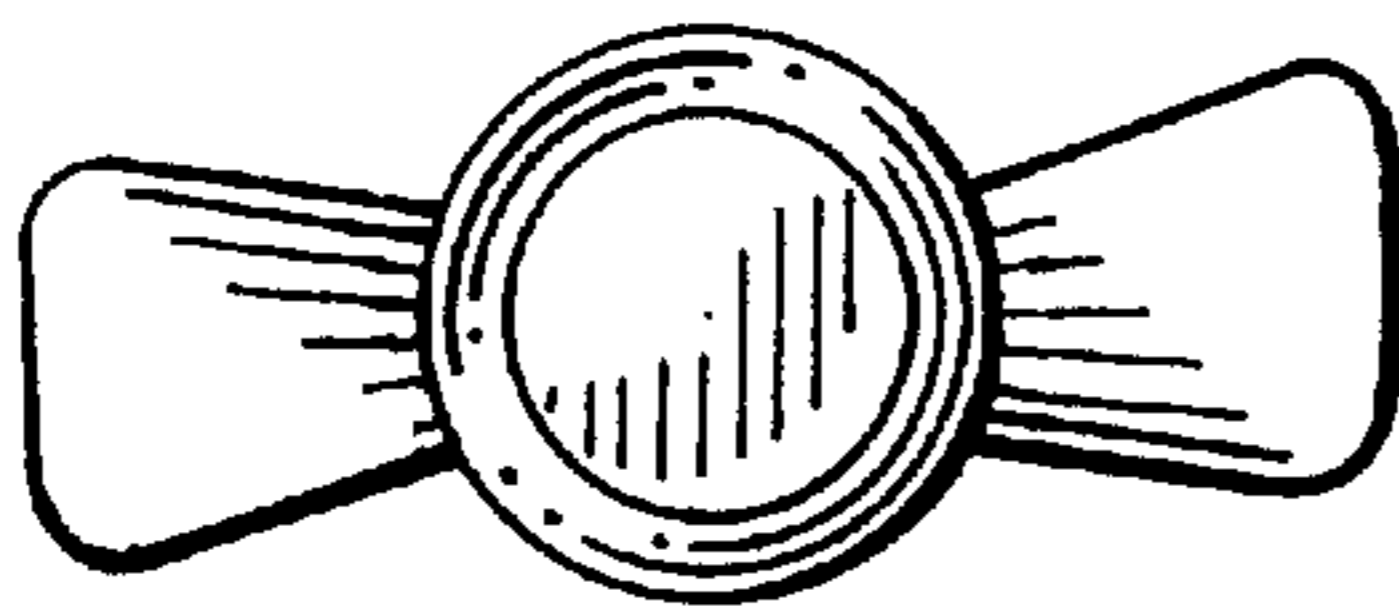


FIG.4

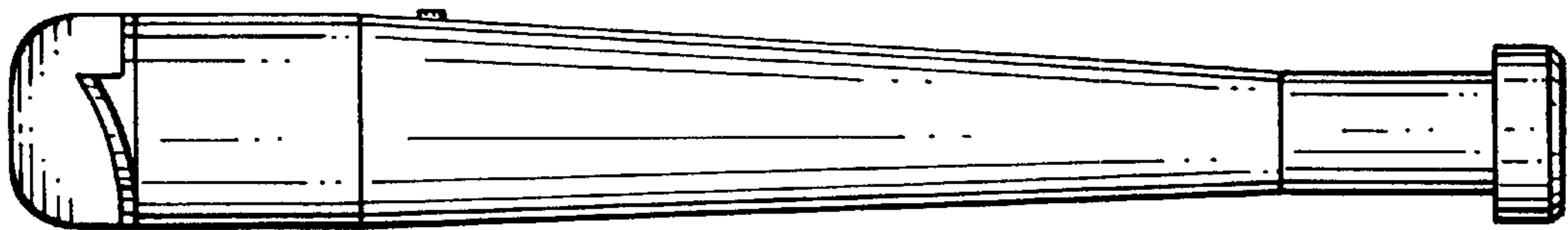
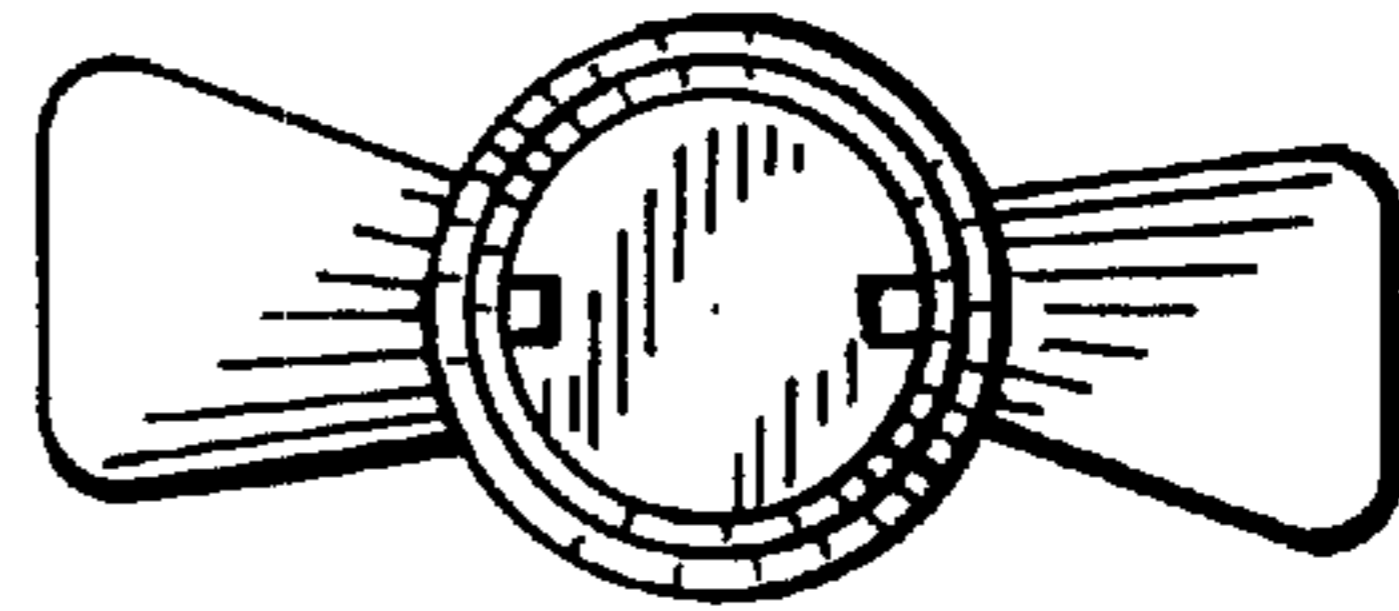


FIG.5

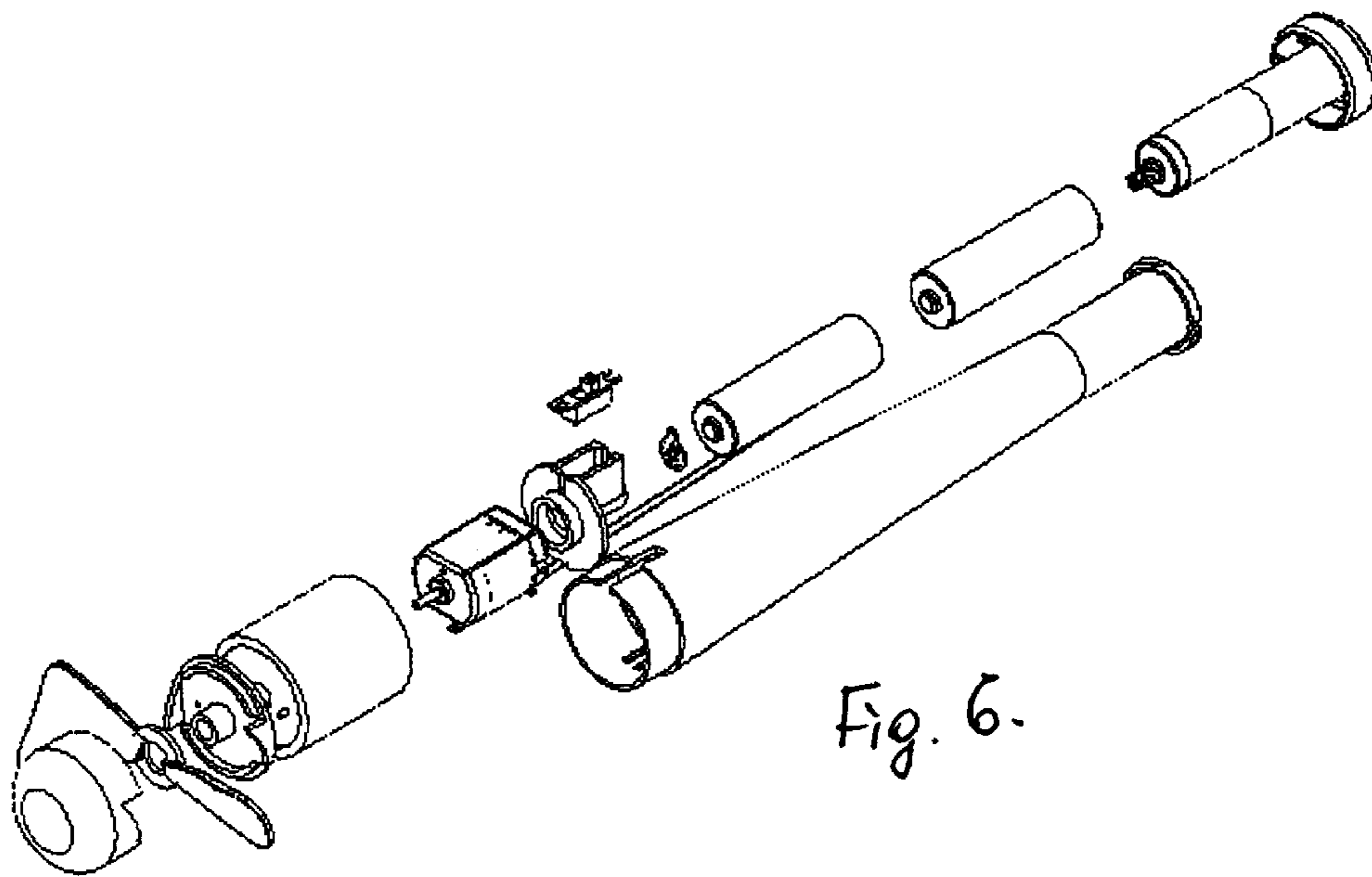


Fig. 6.