



US00D475772S

(12) **United States Design Patent**
Birdsell et al.

(10) **Patent No.:** **US D475,772 S**

(45) **Date of Patent:** **** Jun. 10, 2003**

(54) **HUMIDIFIER**

D438,296 S * 2/2001 Krauss D23/356

(75) Inventors: **Walter G. Birdsell**, Marlborough, MA (US); **Victor Lo Hung Shun**, Ma On Shan (HK); **Woo Cho**, Hong Kong (HK); **Mok Siu Fei**, Wan Chai (HK)

* cited by examiner

Primary Examiner—Lisa Lichtenstein
(74) *Attorney, Agent, or Firm*—Wolf, Greenfield & Sacks, P.C.

(73) Assignee: **Honeywell, Inc.**, Southborough, MA (US)

(57) **CLAIM**

(**) Term: **14 Years**

The ornamental design for a humidifier, as shown and described.

(21) Appl. No.: **29/156,970**

DESCRIPTION

(22) Filed: **Mar. 7, 2002**

FIG. 1 is a front view of a humidifier showing our new design;

(51) **LOC (7) Cl.** **23-04**

FIG. 2 is a top view of the humidifier of FIG. 1;

(52) **U.S. Cl.** **D23/356**

FIG. 3 is a right side view of the humidifier of FIG. 1;

(58) **Field of Search** D23/356–363;
422/120–123; 392/403, 406, 394; 261/104,
107

FIG. 4 is a left side view of the humidifier of FIG. 1; and,
FIG. 5 is a back view of the humidifier of FIG. 1.

The broken line showing of environmental structure in FIGS. 1–4 is for illustrative purposes only and forms no part of the claimed design.

(56) **References Cited**

U.S. PATENT DOCUMENTS

D408,511 S * 4/1999 Allen et al. D23/356

1 Claim, 5 Drawing Sheets

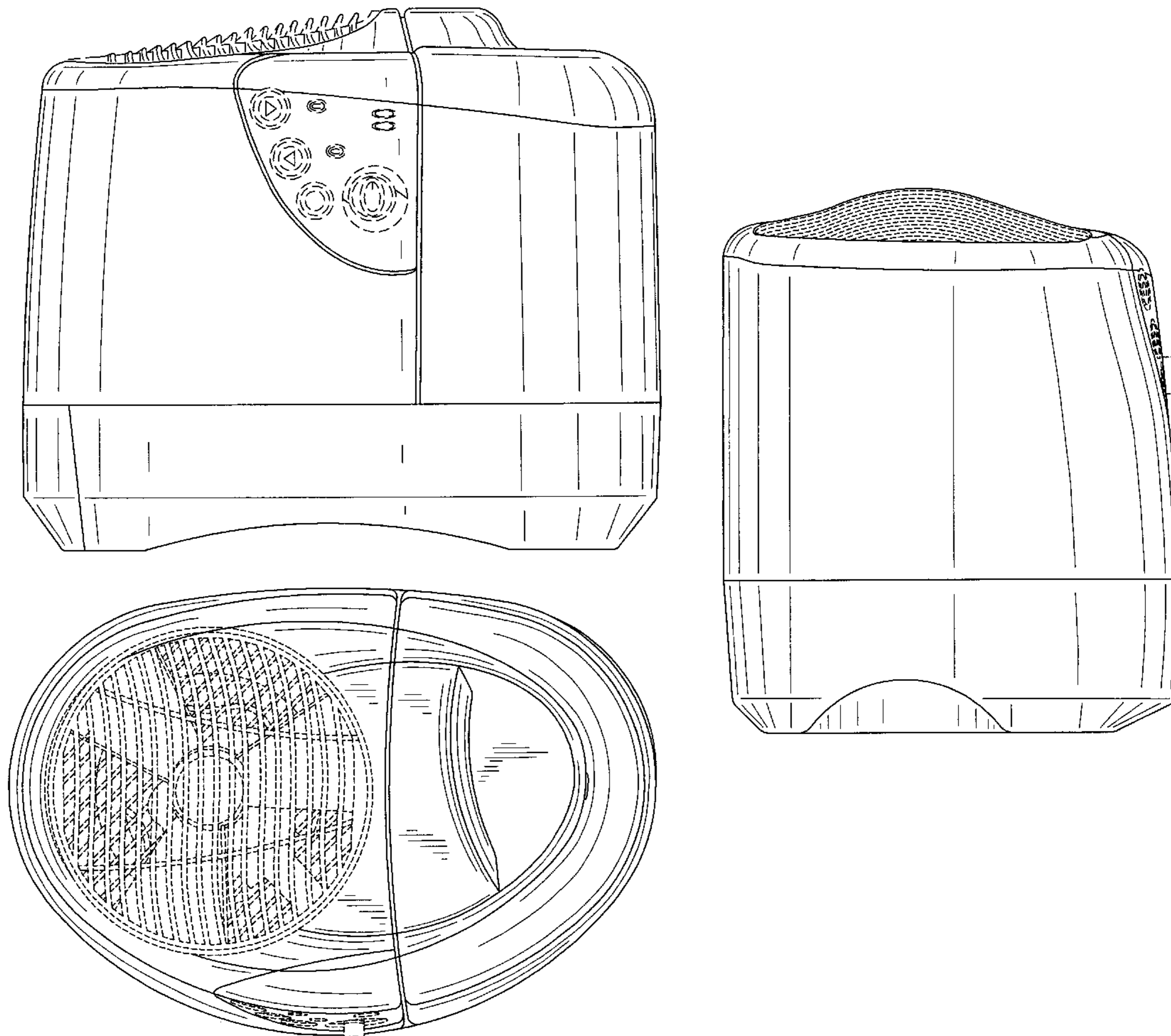


FIG. 1

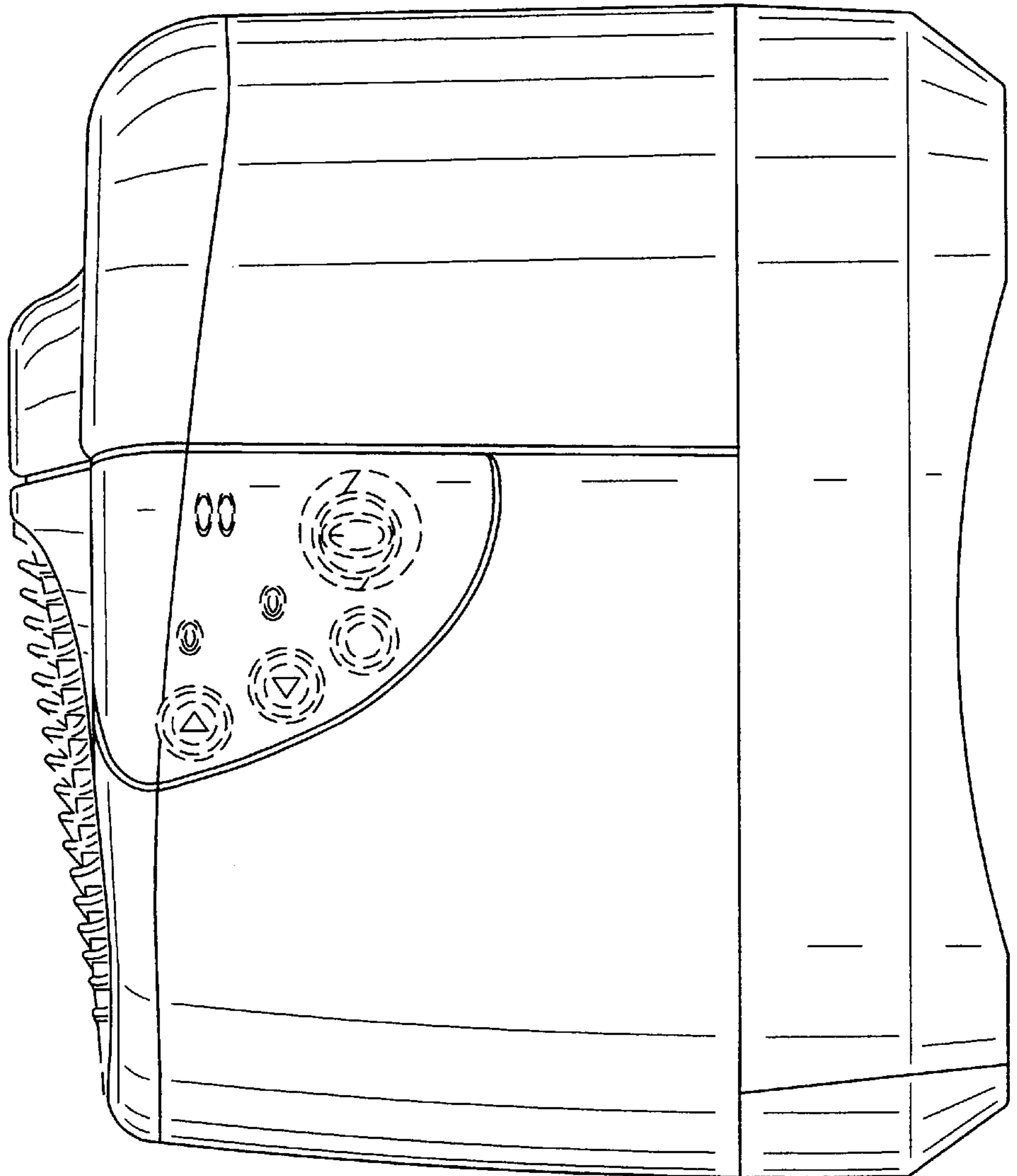


FIG. 2

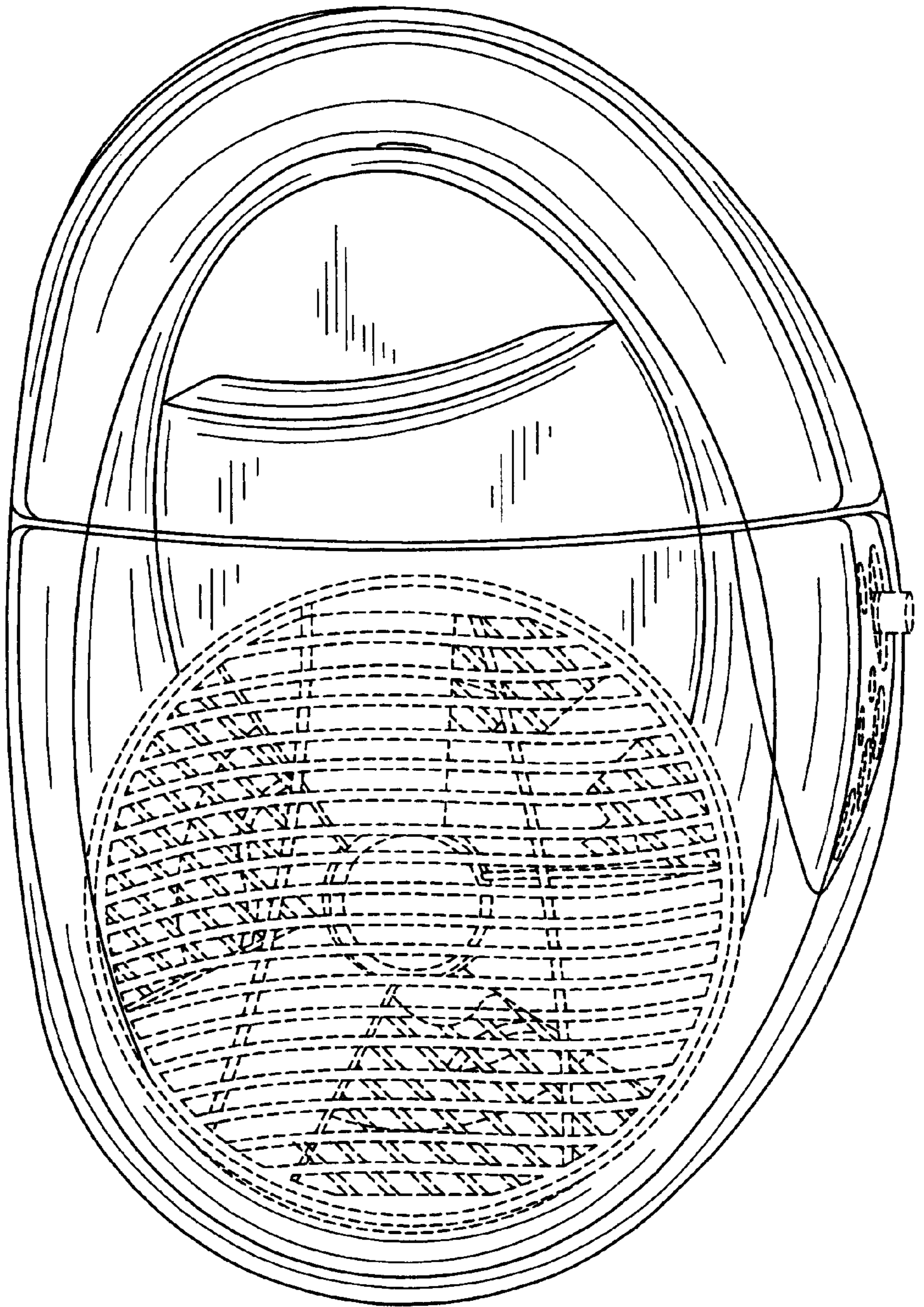


FIG. 3

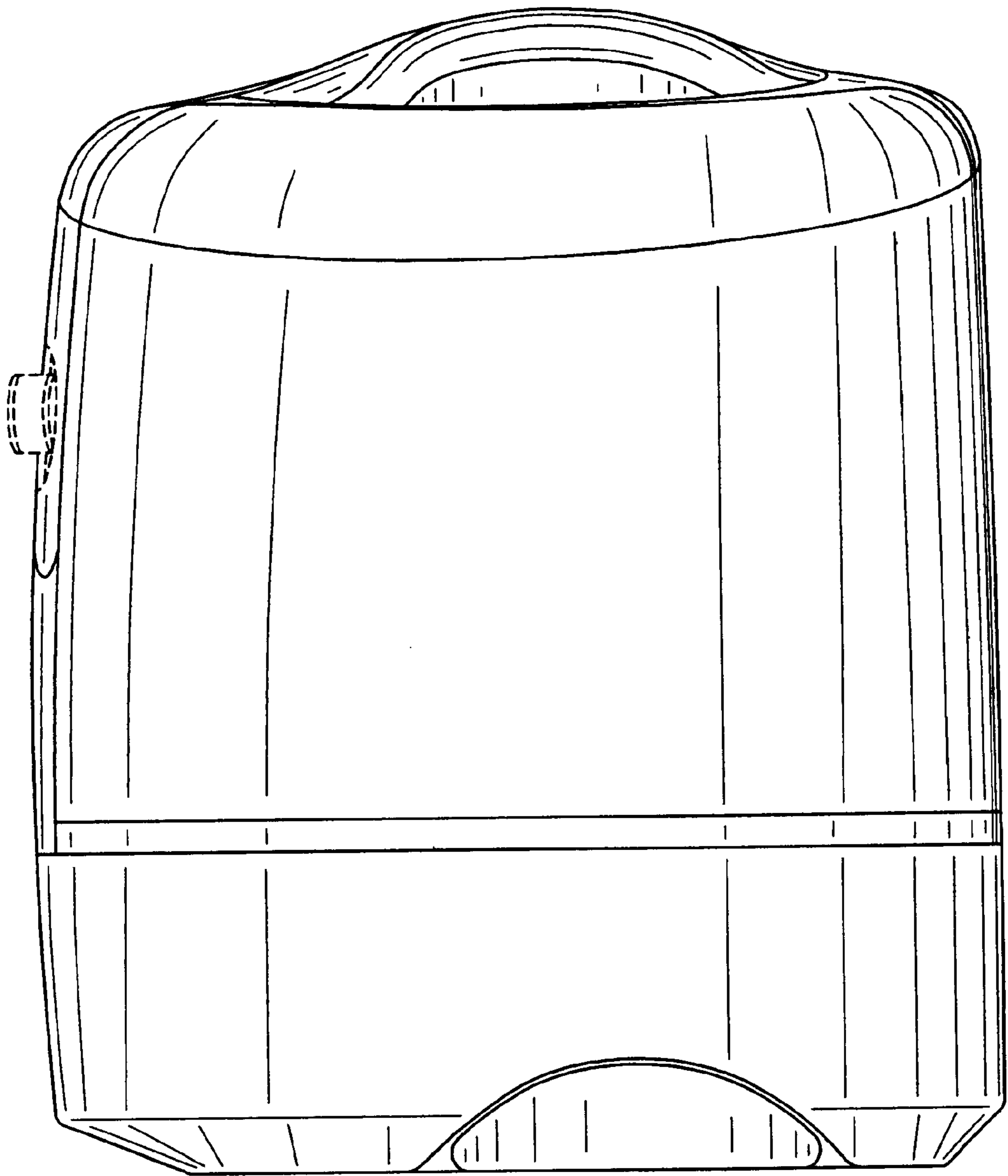


FIG. 4

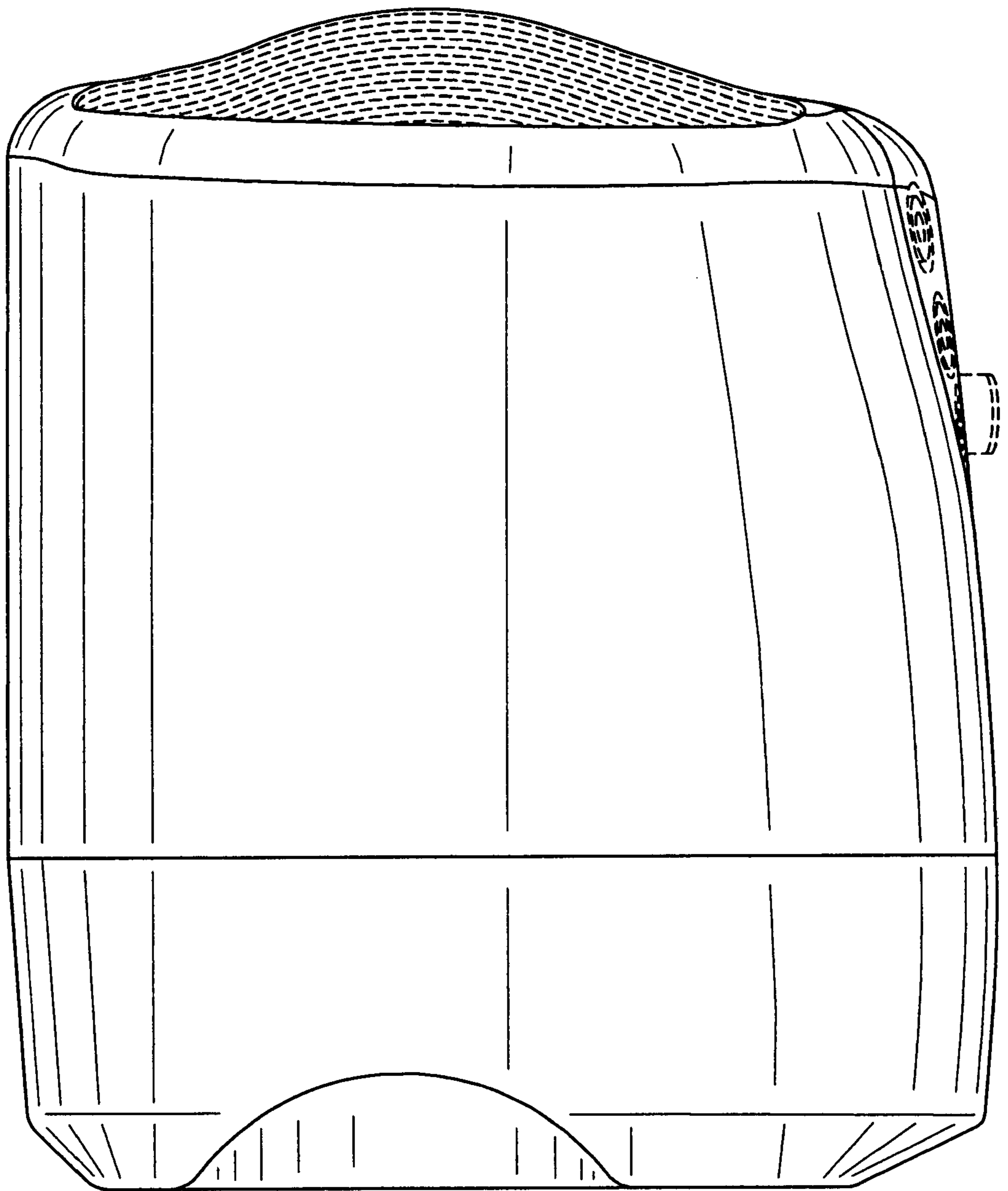


FIG. 5

