



US00D475770S

(12) **United States Design Patent**  
**Walker**

(10) **Patent No.:** **US D475,770 S**

(45) **Date of Patent:** **\*\* Jun. 10, 2003**

(54) **GARDEN HOSE MENDER**

(75) Inventor: **Scott A. Walker**, Somerset, PA (US)

(73) Assignee: **Gilmour, Inc.**, Newark, DE (US)

(\*\*) Term: **14 Years**

(21) Appl. No.: **29/170,156**

(22) Filed: **Nov. 2, 2002**

(51) **LOC (7) Cl.** ..... **23-01**

(52) **U.S. Cl.** ..... **D23/262**

(58) **Field of Search** ..... **D23/259, 262-265;**  
**285/253-257**

(56) **References Cited**

**U.S. PATENT DOCUMENTS**

D130,493 S	*	11/1941	Nelson	.....	D23/262
5,178,421 A		1/1993	Tressler		
D438,603 S	*	3/2001	Chao	.....	D23/262
D458,351 S	*	6/2002	Chen	.....	D23/262

**OTHER PUBLICATIONS**

Gilmour® Model No. 01HM Hose Mender: 5 pages of photos prepared from product sample.

The disclosure date of Citation No. 2 above is sufficiently earlier than the effective U.S. filing date and any foreign priority date so that the particular date of disclosure is not an issue.

\* cited by examiner

*Primary Examiner*—Robin V. Taylor

(74) *Attorney, Agent, or Firm*—Victor A. Henzi

(57) **CLAIM**

The ornamental design for a garden hose mender, as shown and described.

**DESCRIPTION**

FIG. 1 is an upper front left perspective view of the present new design for a garden hose mender;

FIG. 2 is an exploded upper front left perspective view thereof;

FIG. 3 is an exploded lower rear right perspective view thereof;

FIG. 4 is a top plan view thereof;

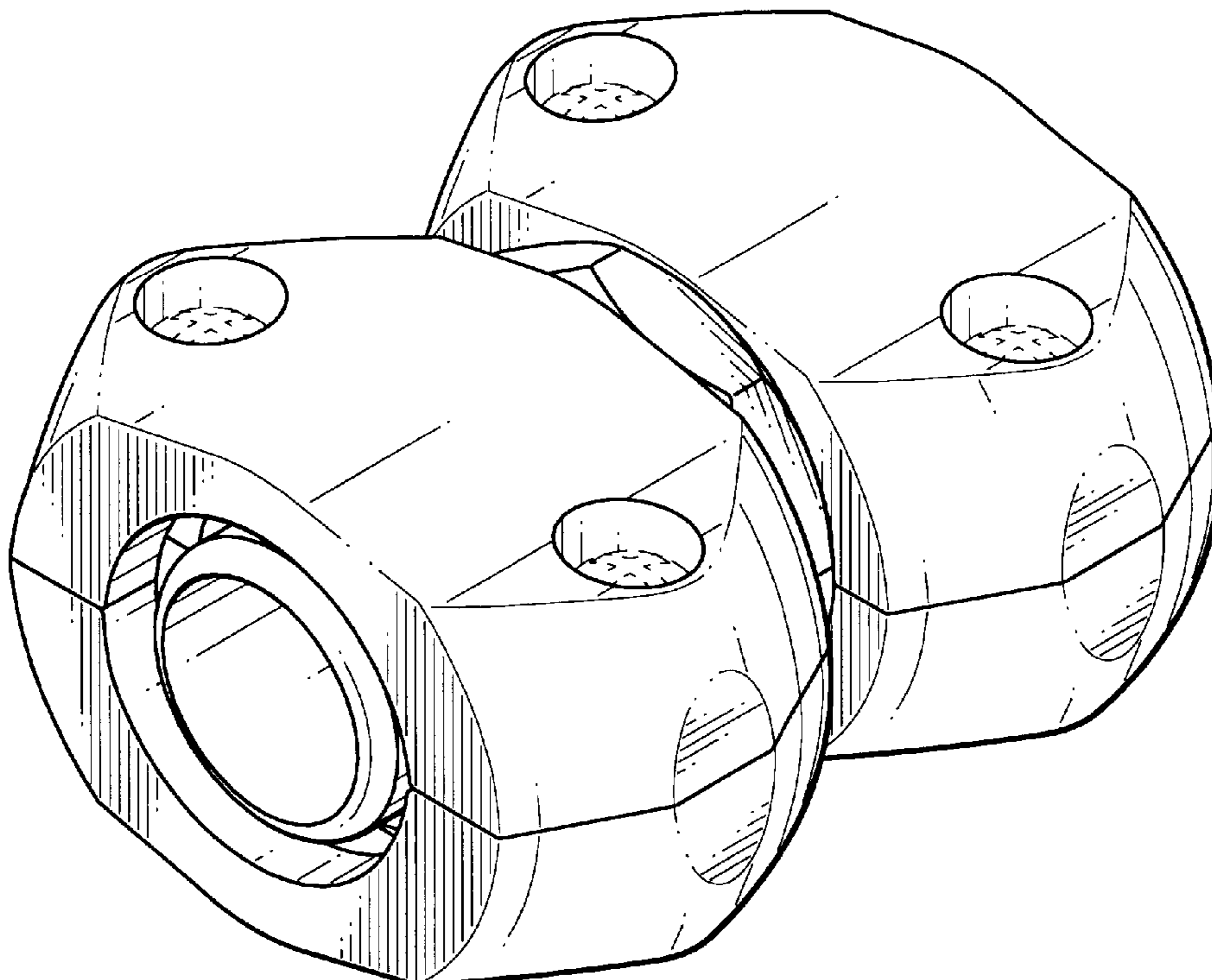
FIG. 5 is a bottom plan view thereof;

FIG. 6 is a front elevational view thereof which is identical to the rear elevational view thereof; and,

FIG. 7 is a left side elevational view thereof which is identical to the right side elevational view thereof.

The broken lines showing various features of a garden hose mender are for illustrative purposes only and form no part of the claimed design.

**1 Claim, 6 Drawing Sheets**



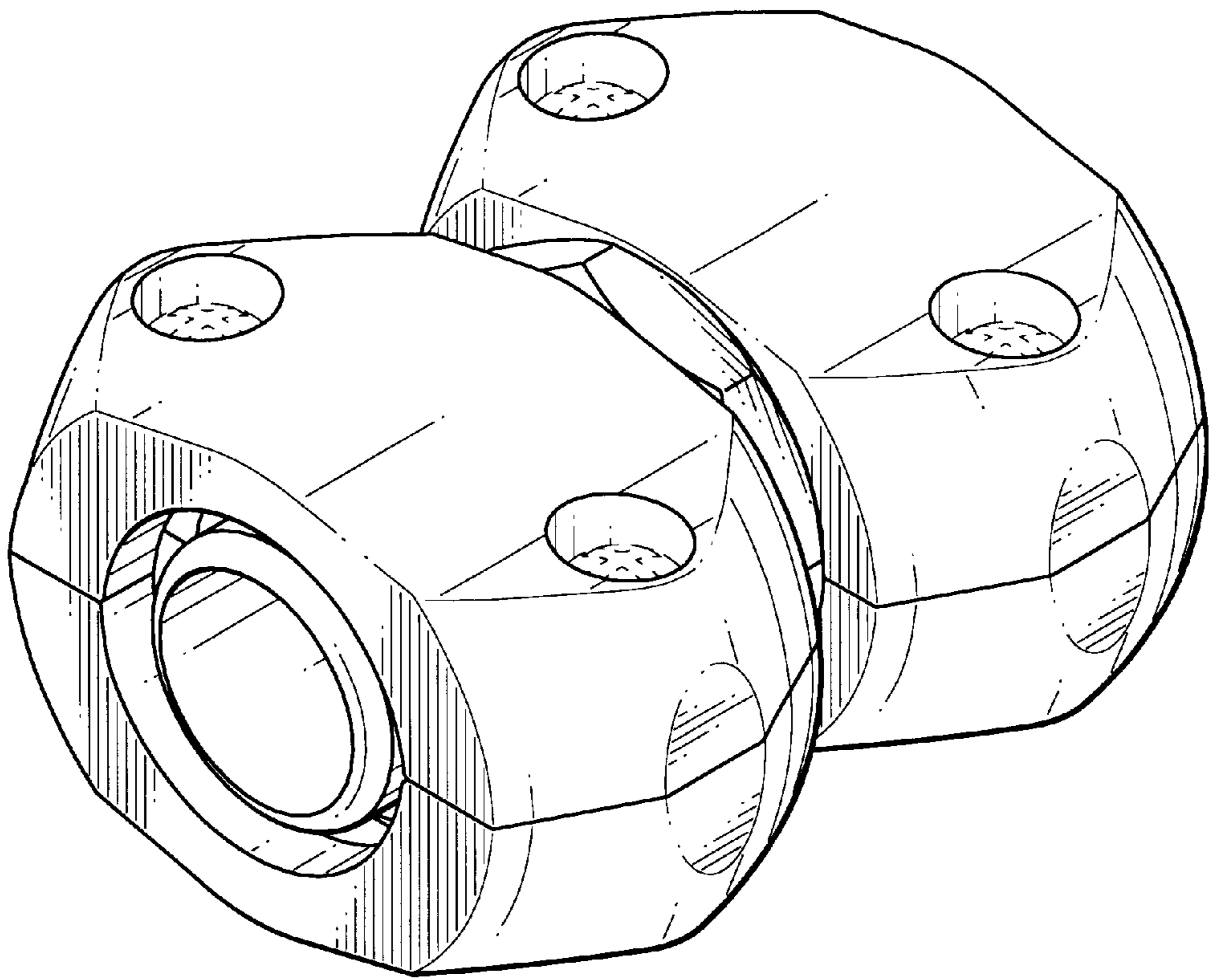


FIG. 1

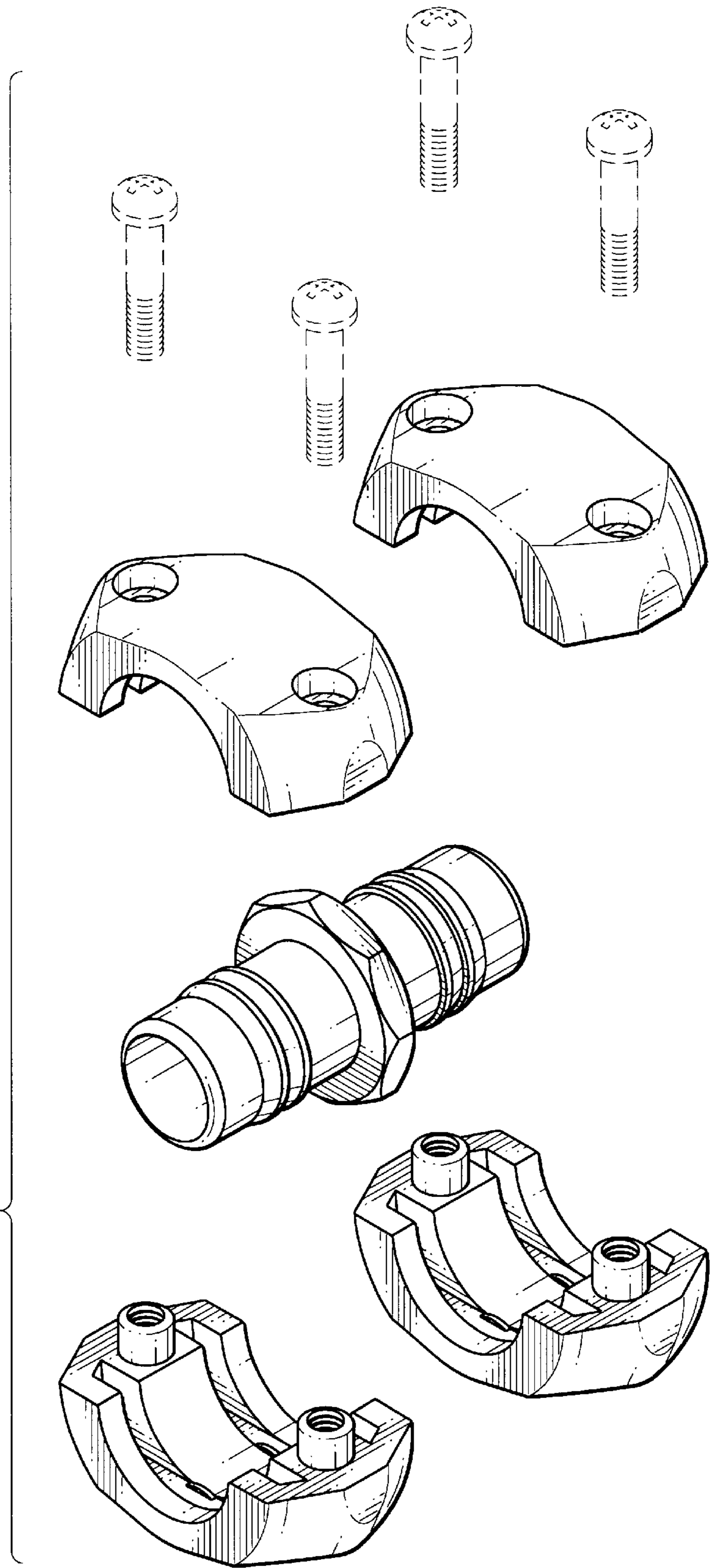


FIG. 2

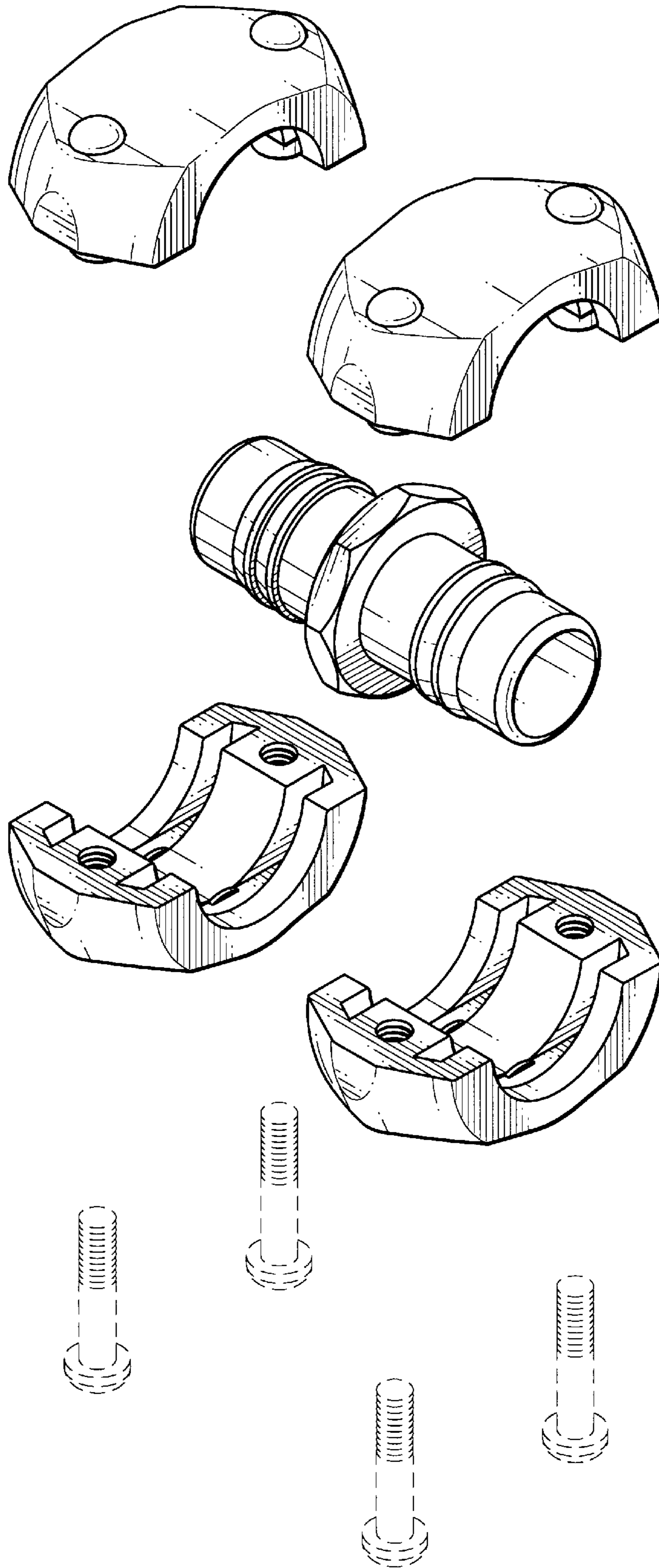


FIG. 3



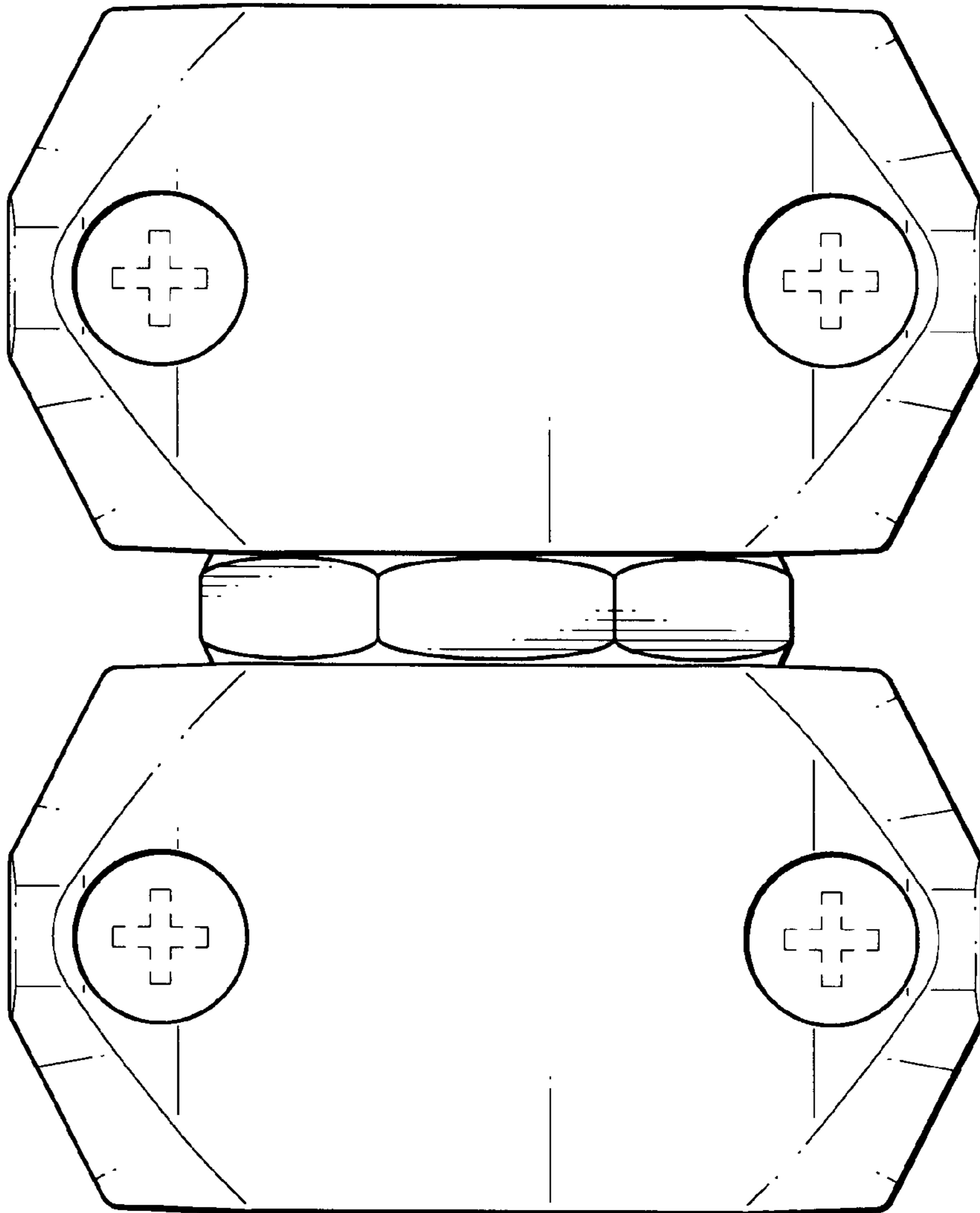


FIG. 4

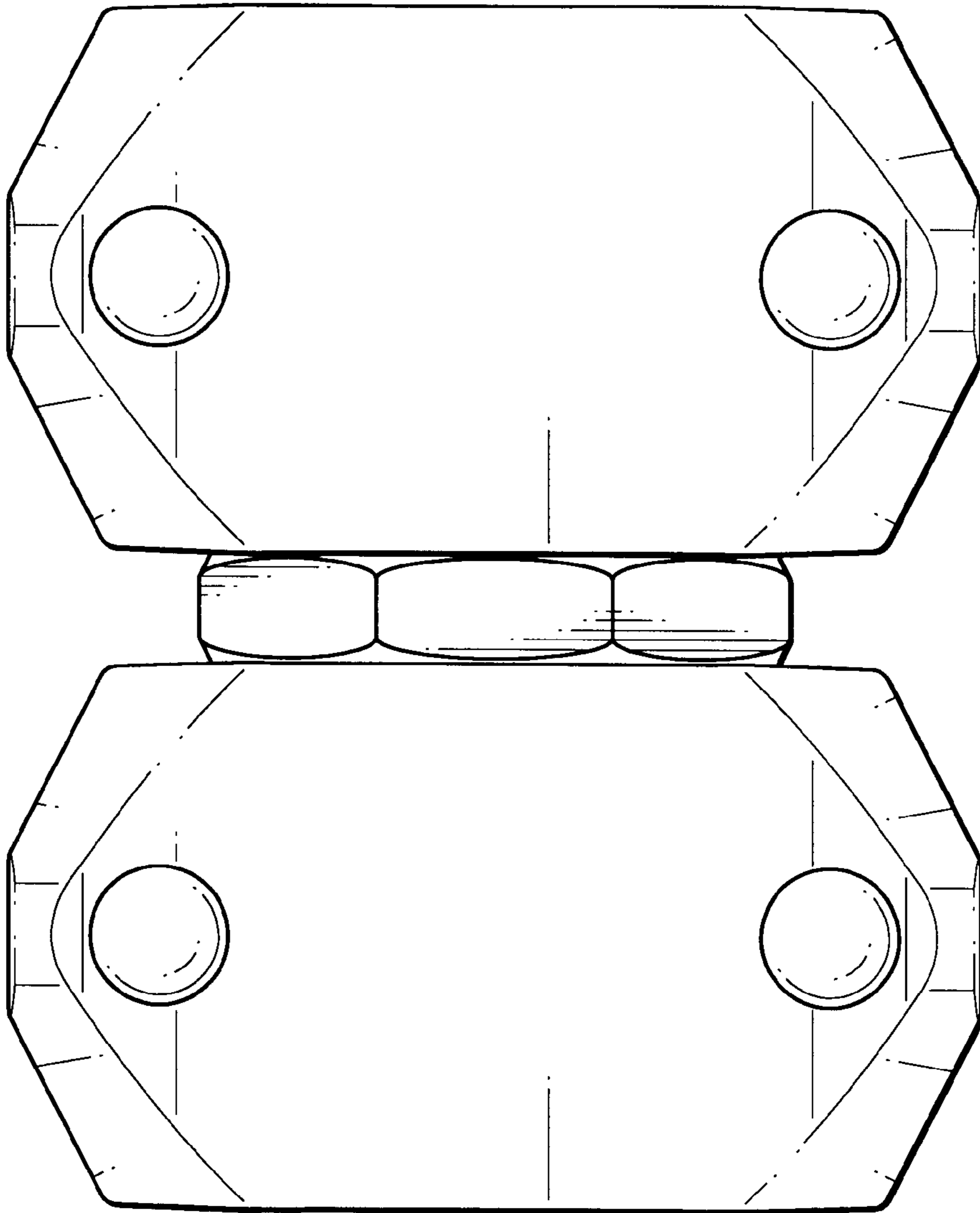


FIG. 5

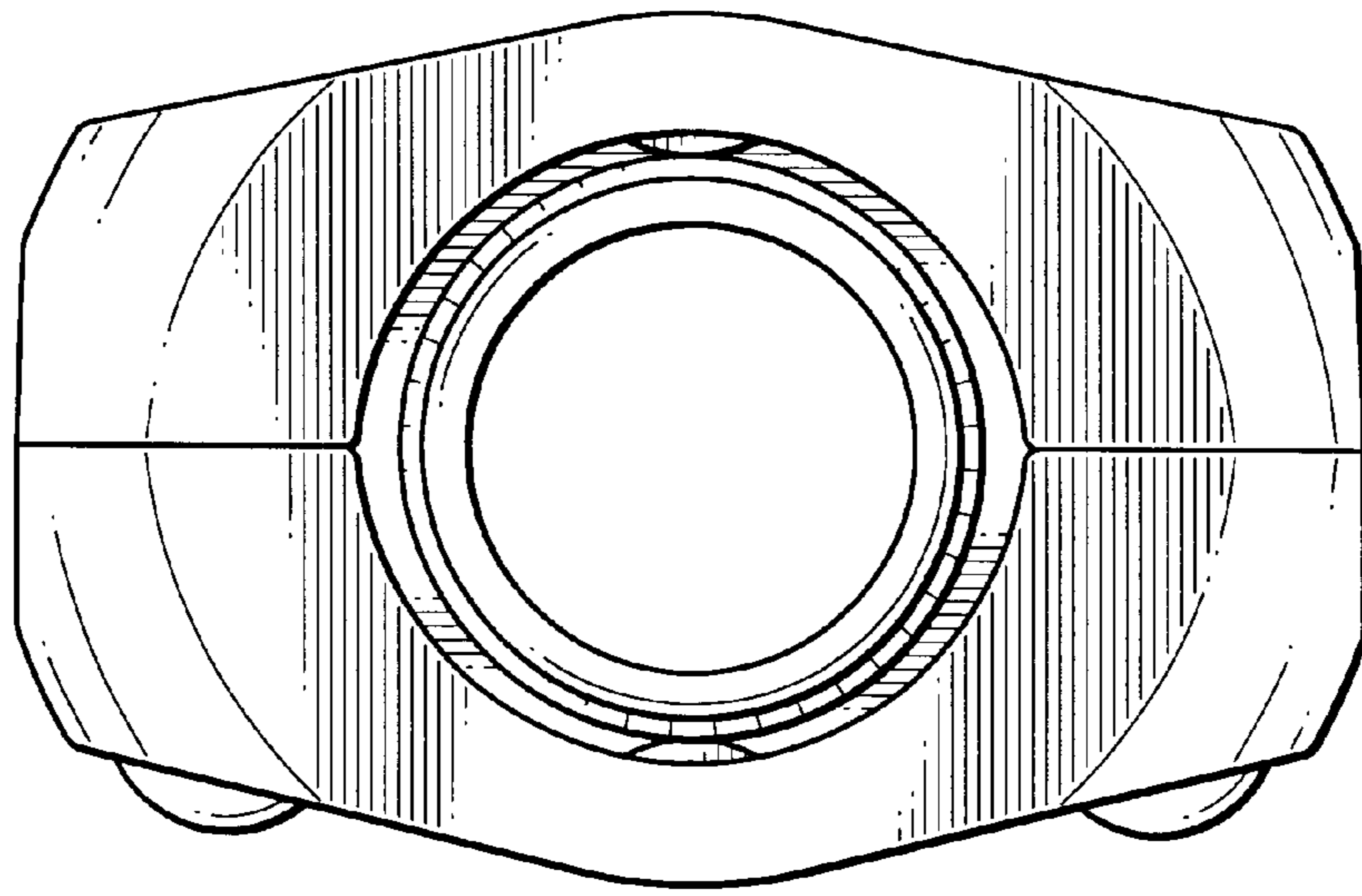


FIG. 6

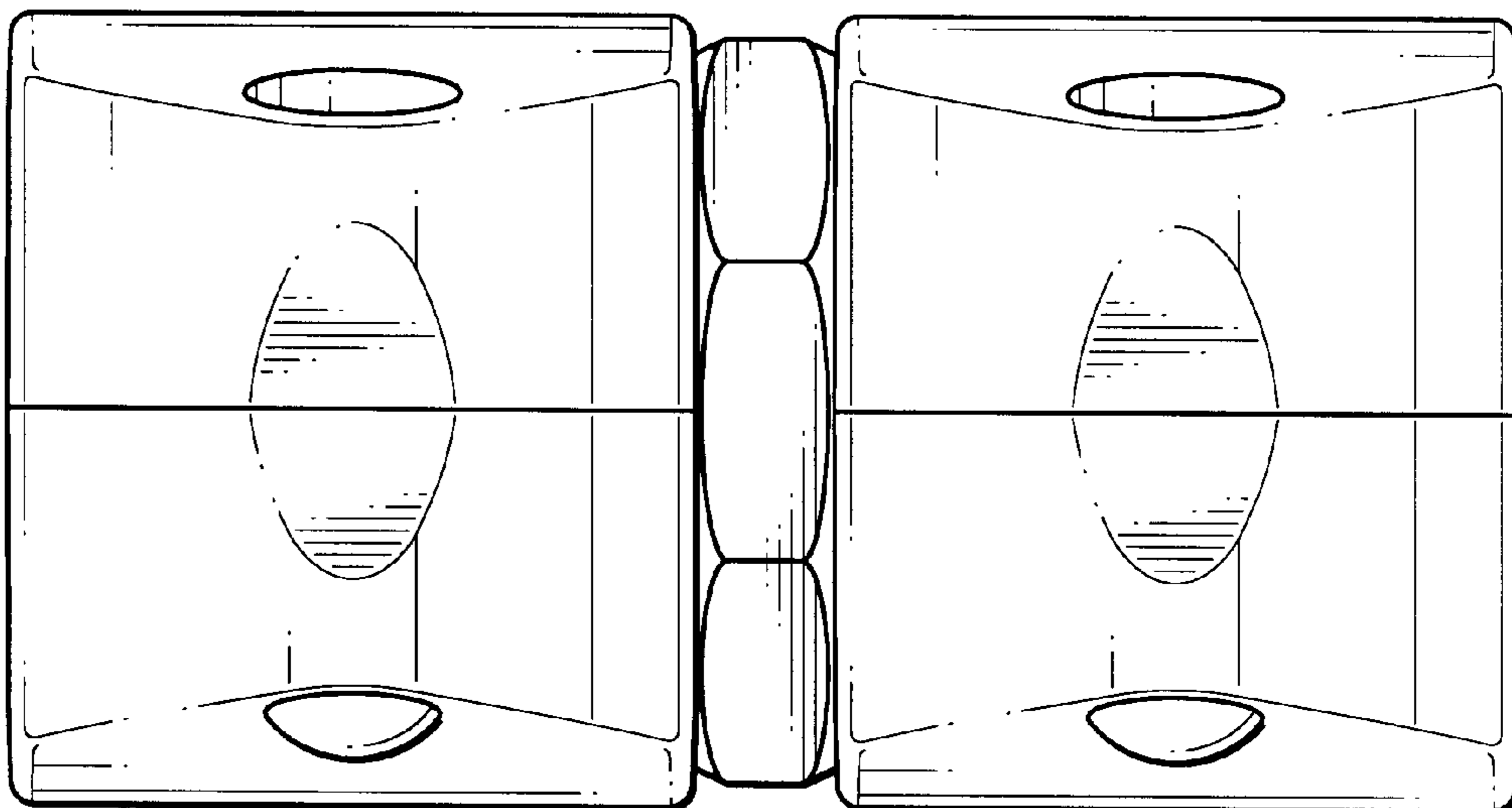


FIG. 7