



US00D475769S

(12) **United States Design Patent**  
**Walker**

(10) **Patent No.:** **US D475,769 S**

(45) **Date of Patent:** **\*\* Jun. 10, 2003**

(54) **FEMALE GARDEN HOSE COUPLING**

(75) Inventor: **Scott A. Walker**, Somerset, PA (US)

(73) Assignee: **Gilmour, Inc.**, Newark, DE (US)

(\*\*) Term: **14 Years**

(21) Appl. No.: **29/170,152**

(22) Filed: **Nov. 2, 2002**

(51) **LOC (7) Cl.** ..... **23-01**

(52) **U.S. Cl.** ..... **D23/262**

(58) **Field of Search** ..... D23/259, 262-265;  
285/253, 257

(56) **References Cited**

**U.S. PATENT DOCUMENTS**

1,242,874 A	*	10/1917	Sheafe et al.	.....	285/253
D130,493 S	*	11/1941	Nelson	.....	D23/262
D161,020 S	*	11/1950	Hamer	.....	D23/262
D458,352 S	*	6/2002	Chen	.....	D23/262

**OTHER PUBLICATIONS**

Gilmour® Model No. 01F Hose Replacement Fitting: 5 pages of photos prepared from product sample.

The disclosure date of Citation No. 2 above is sufficiently earlier than the effective U.S. filing date and any foreign priority date so that the particular date of disclosure is not an issue. Applicant concedes the citation as prior art.

\* cited by examiner

*Primary Examiner*—Robin V. Taylor

(74) *Attorney, Agent, or Firm*—Victor A. Henzi

(57) **CLAIM**

The ornamental design for a female garden hose coupling, as shown and described.

**DESCRIPTION**

FIG. 1 is an upper front left perspective view of the present new design for a female garden hose coupling;

FIG. 2 is an exploded upper front left perspective view thereof;

FIG. 3 is an exploded lower rear right perspective view thereof;

FIG. 4 is a top plan view thereof;

FIG. 5 is a bottom plan view thereof;

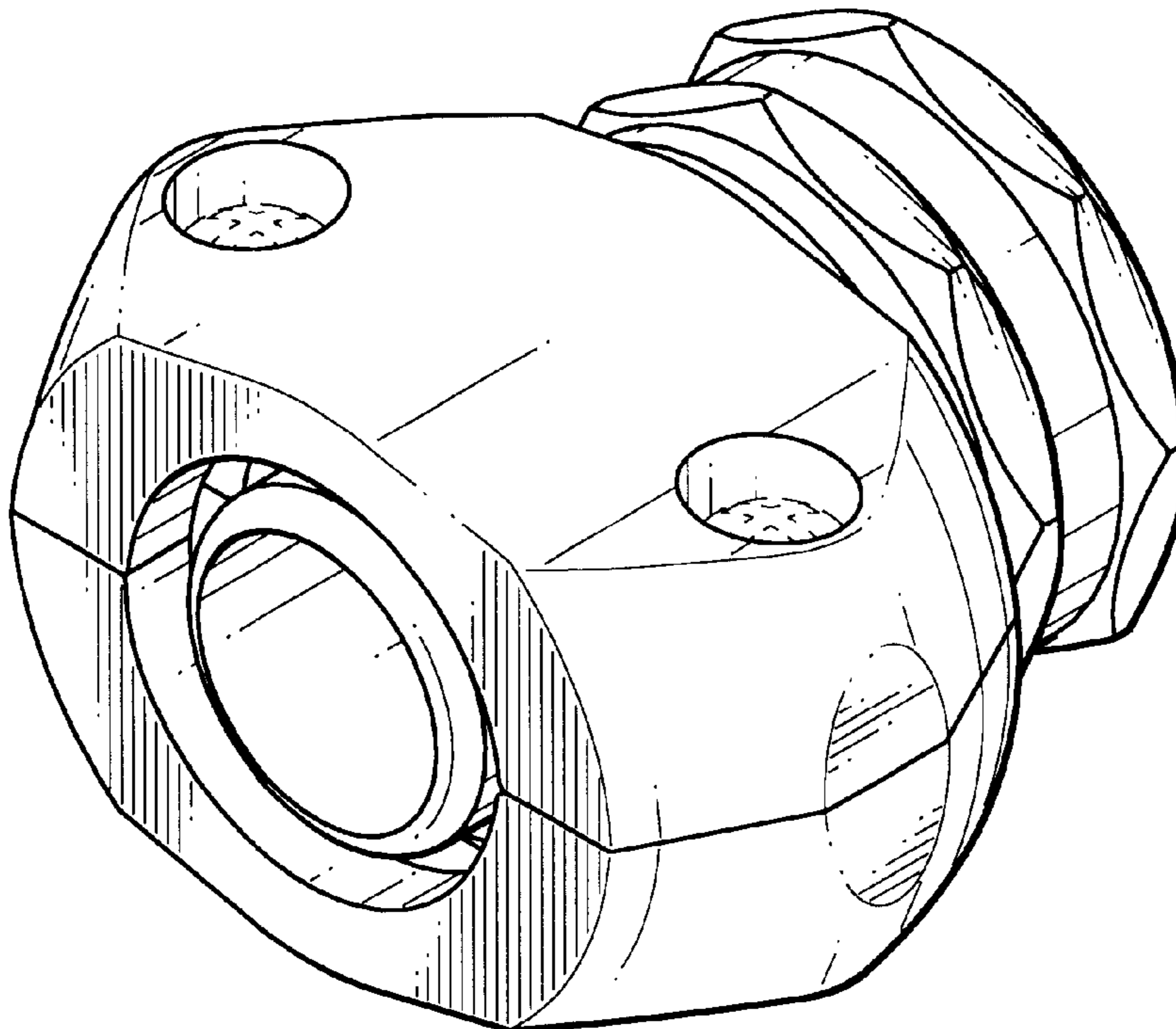
FIG. 6 is a front elevational view thereof;

FIG. 7 is a rear elevational view thereof; and,

FIG. 8 is a left side elevational view thereof which is identical to the right side elevational view thereof.

The broken lines showing various features of a female garden hose coupling are for illustrative purposes only and form no part of the claimed design.

**1 Claim, 6 Drawing Sheets**



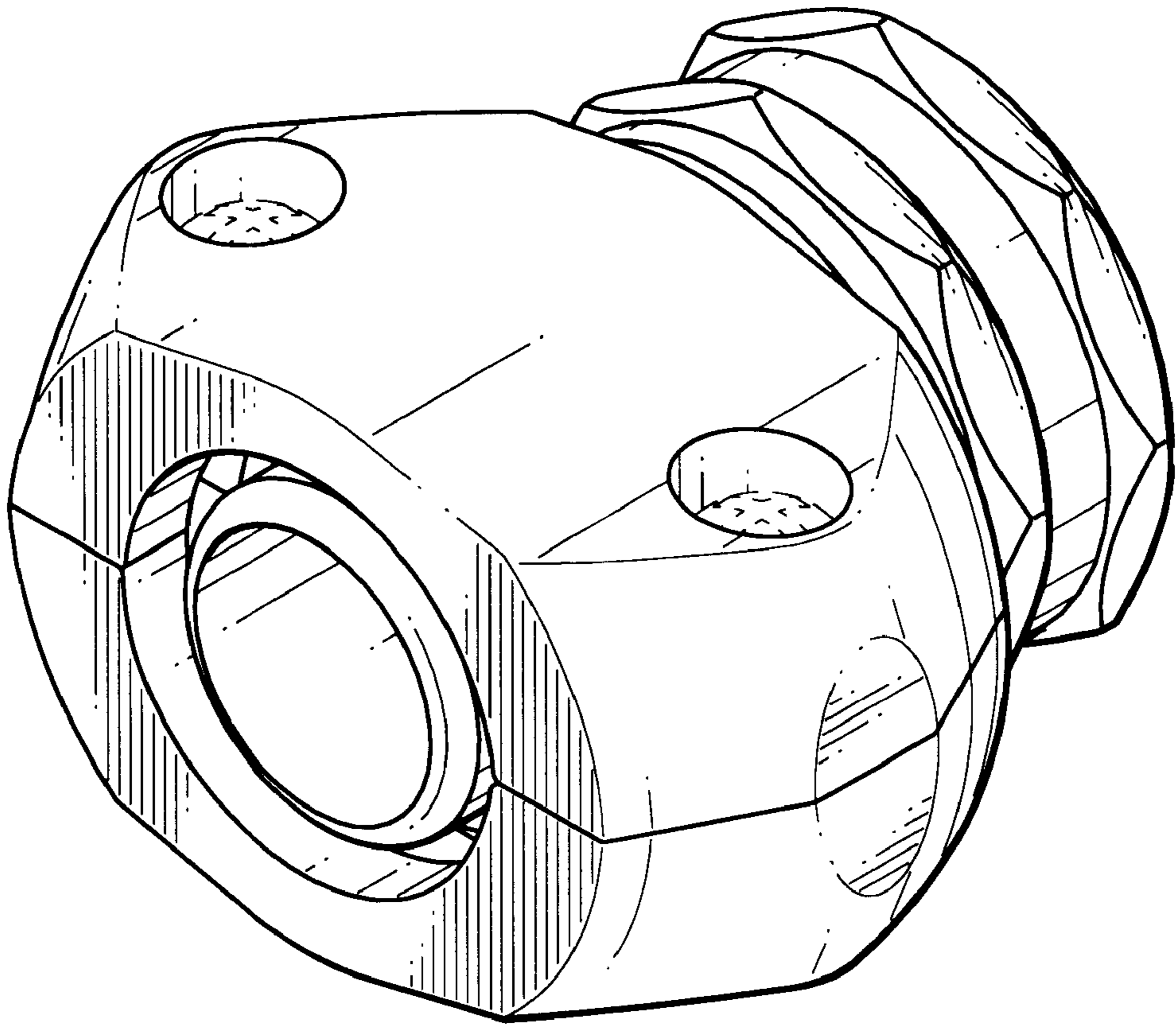
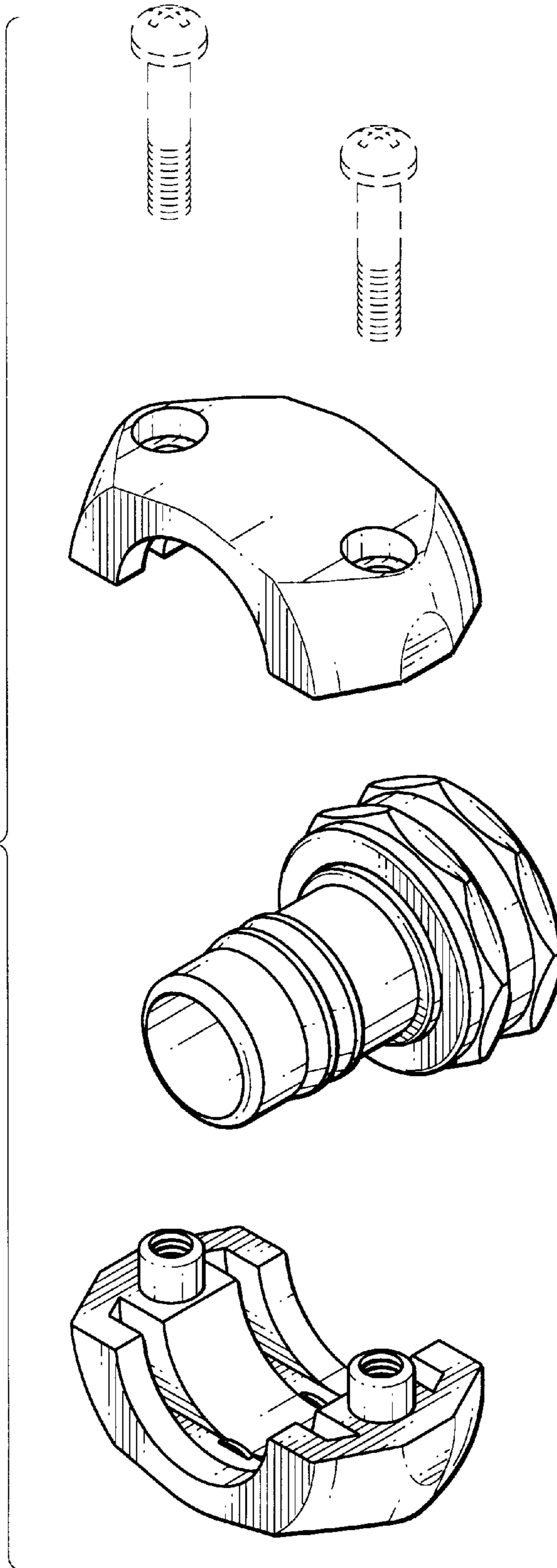
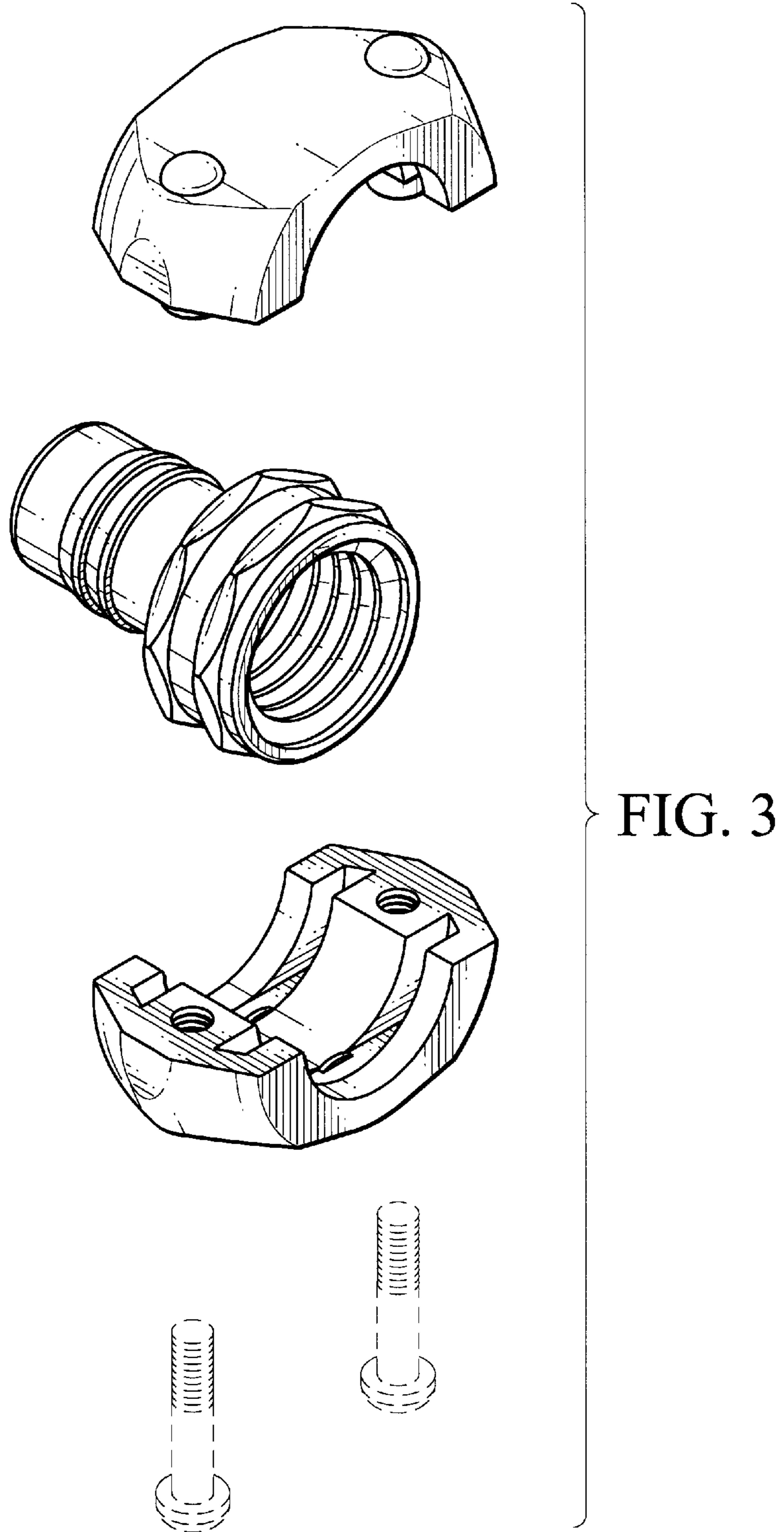


FIG. 1

FIG. 2





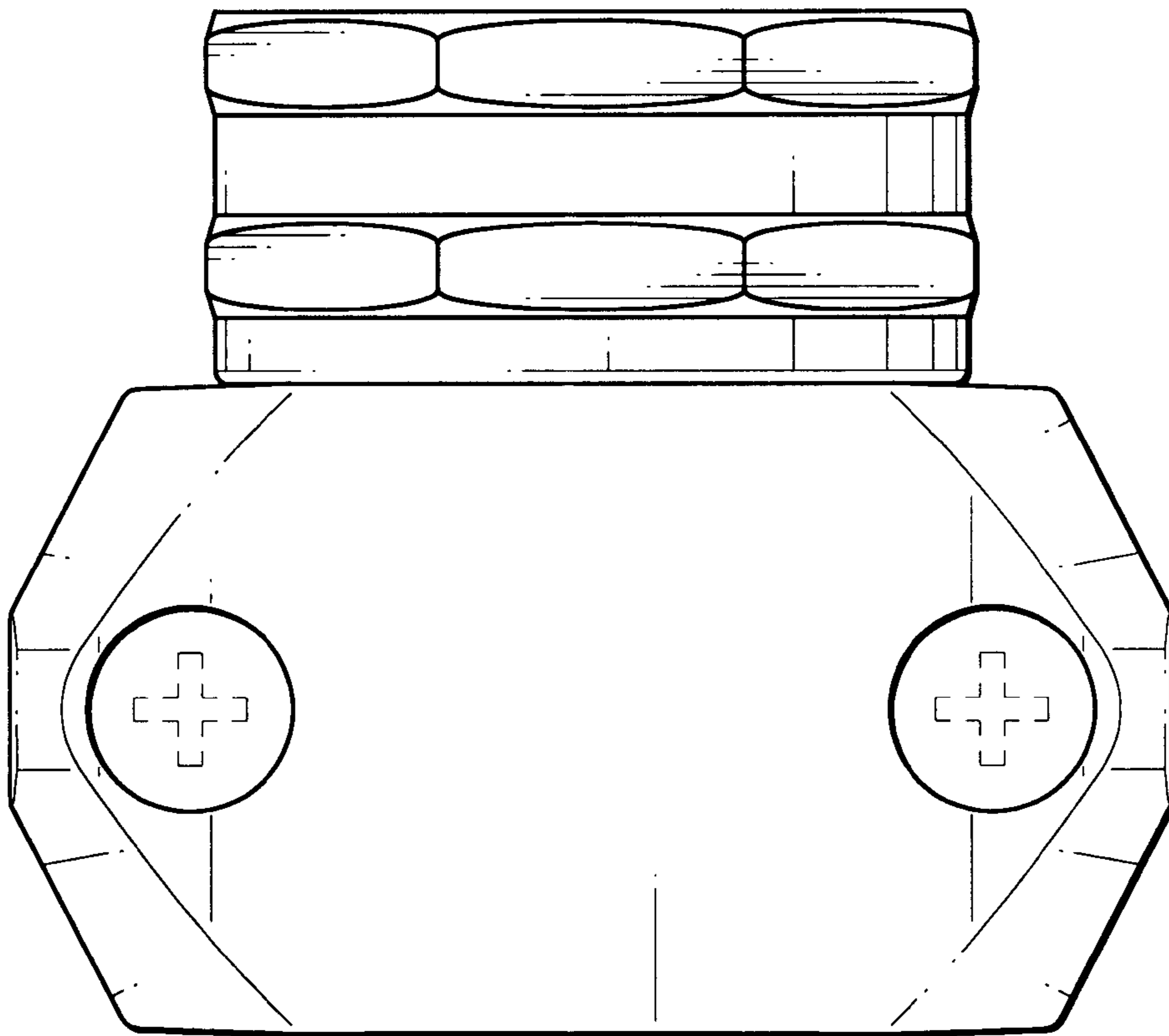


FIG. 4

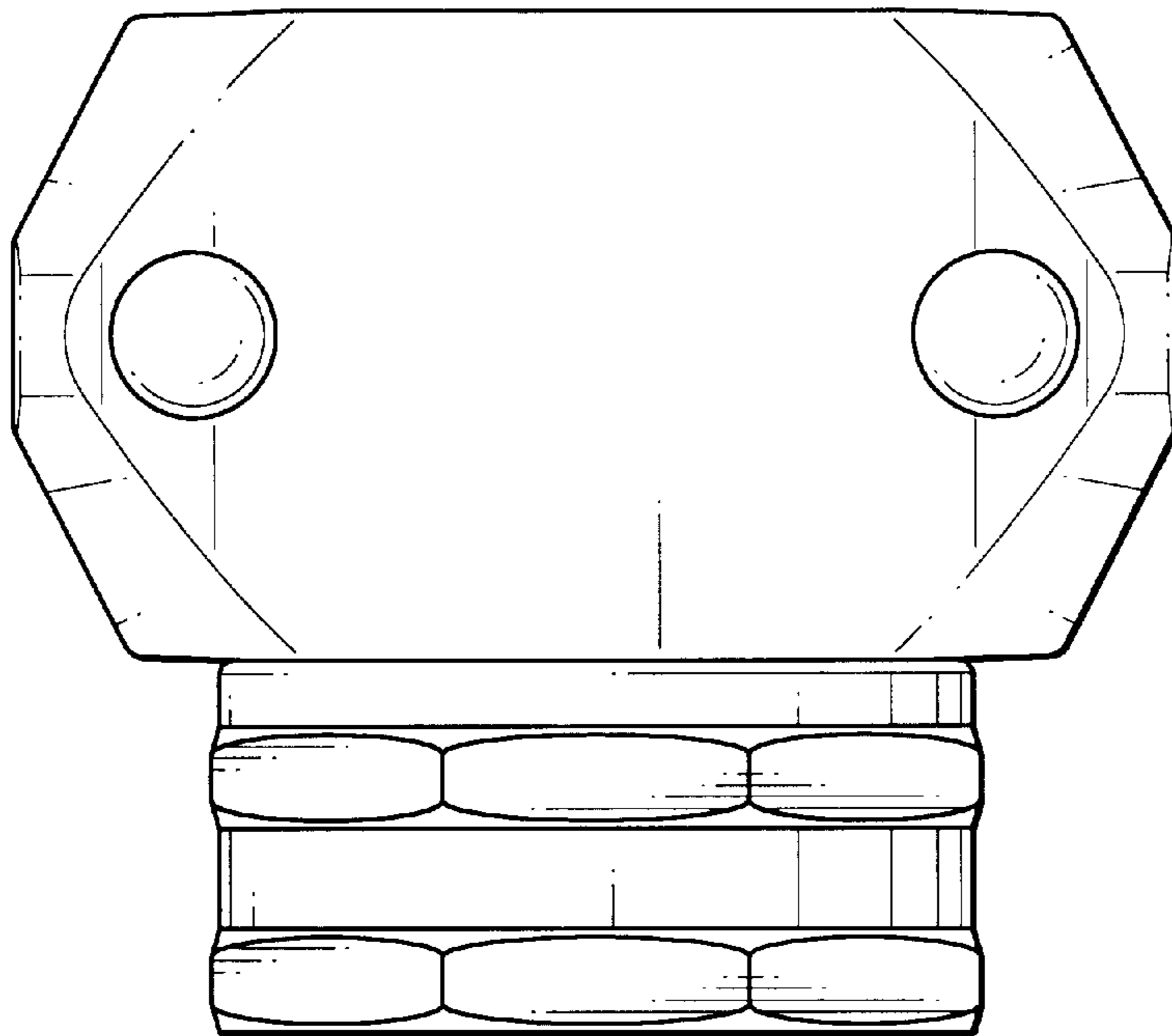


FIG. 5

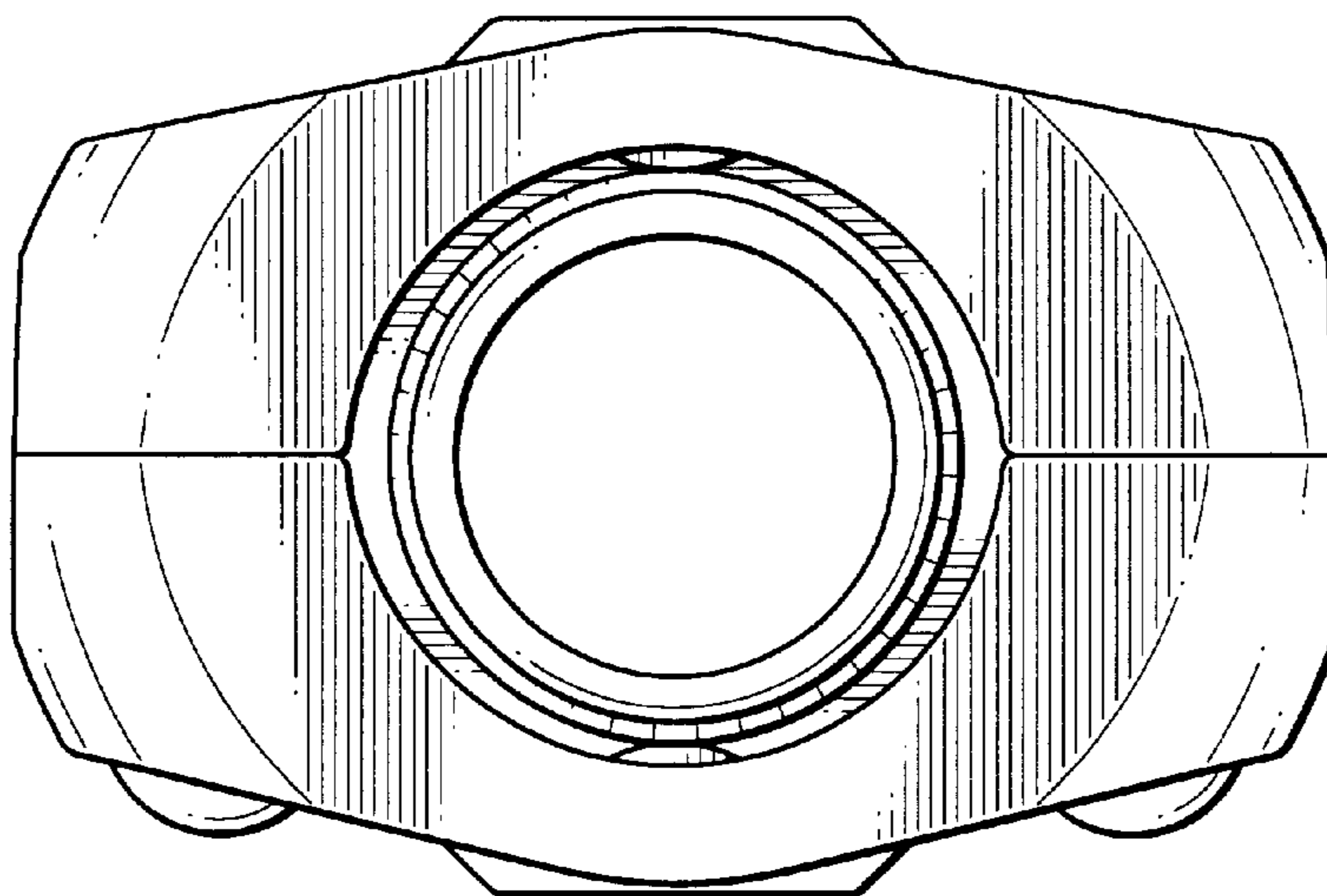


FIG. 6

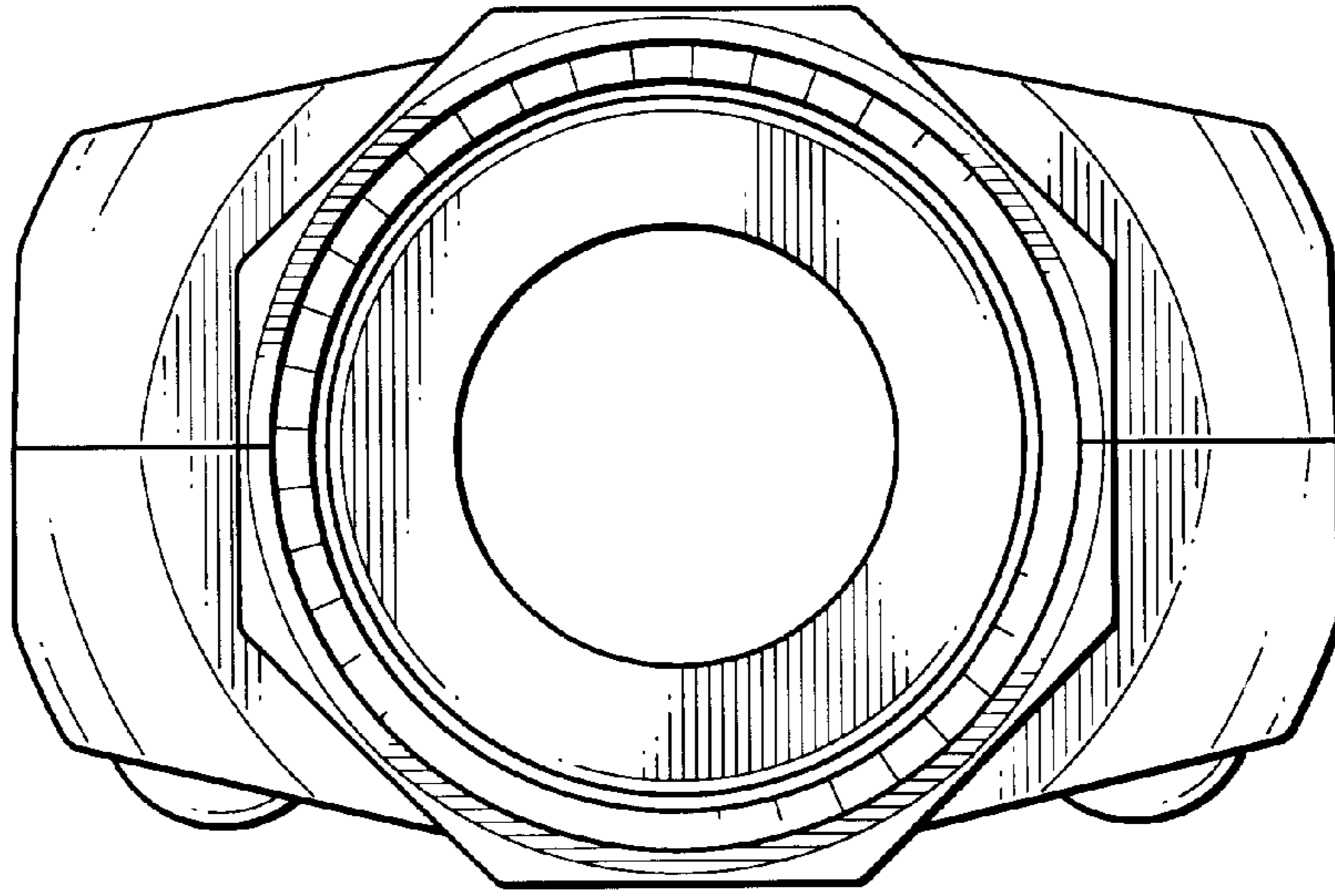


FIG. 7

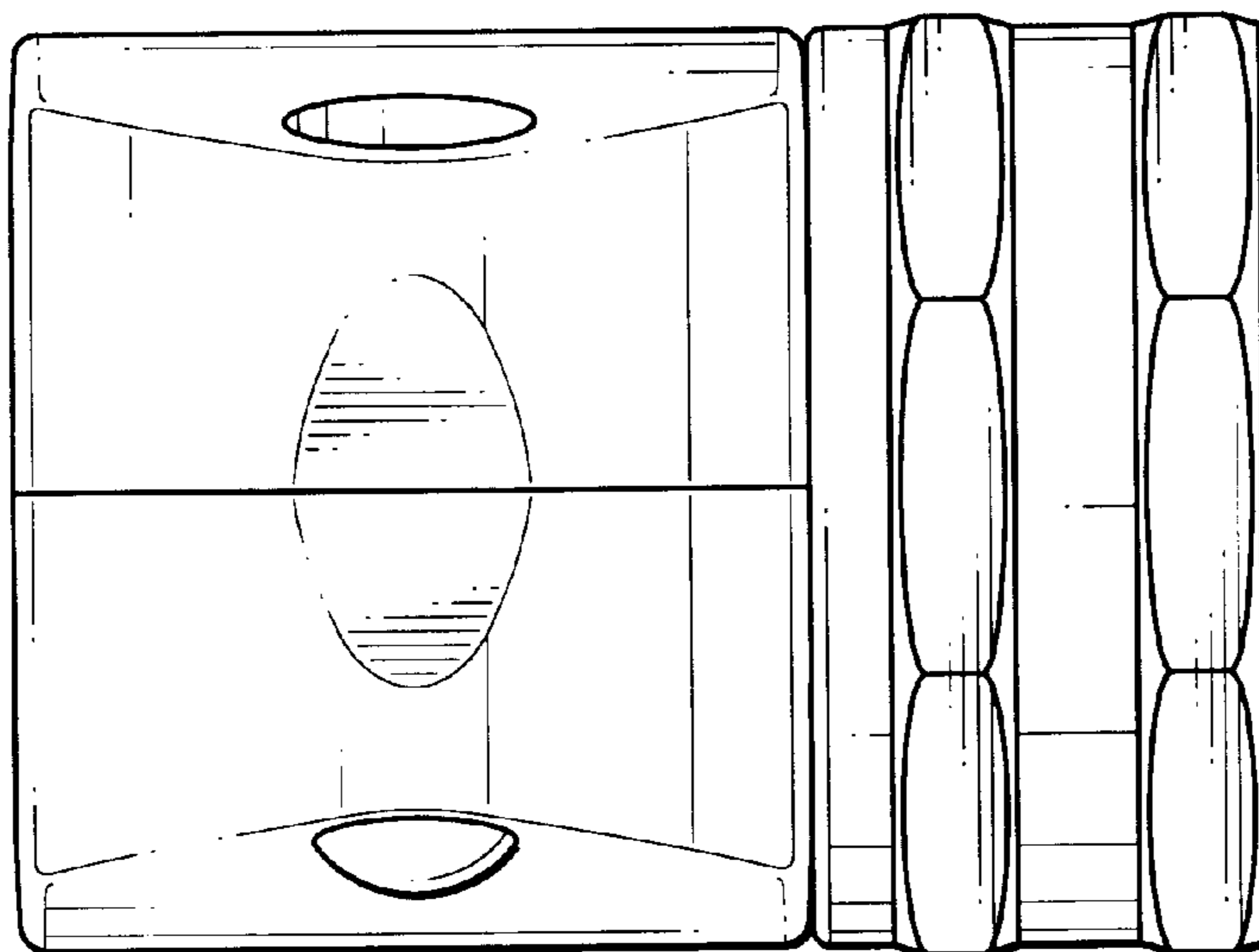


FIG. 8