



US00D475768S

(12) **United States Design Patent**
Walker

(10) **Patent No.:** **US D475,768 S**

(45) **Date of Patent:** **** Jun. 10, 2003**

(54) **MALE GARDEN HOSE COUPLING**

(75) Inventor: **Scott A. Walker**, Somerset, PA (US)

(73) Assignee: **Gilmour, Inc.**, Newark, DE (US)

(**) Term: **14 Years**

(21) Appl. No.: **29/170,150**

(22) Filed: **Nov. 2, 2002**

(51) **LOC (7) Cl.** **23-01**

(52) **U.S. Cl.** **D23/262**

(58) **Field of Search** D23/259, 262-265;
285/253, 257

(56) **References Cited**

U.S. PATENT DOCUMENTS

1,242,874 A	*	10/1917	Sheafe et al.	285/253
D325,775 S	*	4/1992	Hayes	D23/262
5,178,421 A		1/1993	Tressler		
D441,436 S	*	5/2001	Chao	D23/262
D457,604 S	*	5/2002	Chen	D23/262
D458,353 S	*	6/2002	Chen	D23/262

OTHER PUBLICATIONS

Gilmour® Model No. 01M Hose Replacement Fitting: 5 pages of photos prepared from product sample.

The disclosure date of Citation No. 2 above is sufficiently earlier than the effective U.S. filing date and any foreign priority date so that the particular date of disclosure is not an issue. Applicant concedes that citation as prior art.

* cited by examiner

Primary Examiner—Robin V. Taylor

(74) *Attorney, Agent, or Firm*—Victor A. Henzi

(57) **CLAIM**

The ornamental design for a male garden hose coupling, as shown and described.

DESCRIPTION

FIG. 1 is an upper front left perspective view of the present new design for a male garden hose coupling;

FIG. 2 is an exploded upper front left perspective view thereof;

FIG. 3 is an exploded lower rear right perspective view thereof;

FIG. 4 is a top plan view thereof;

FIG. 5 is a bottom plan view thereof;

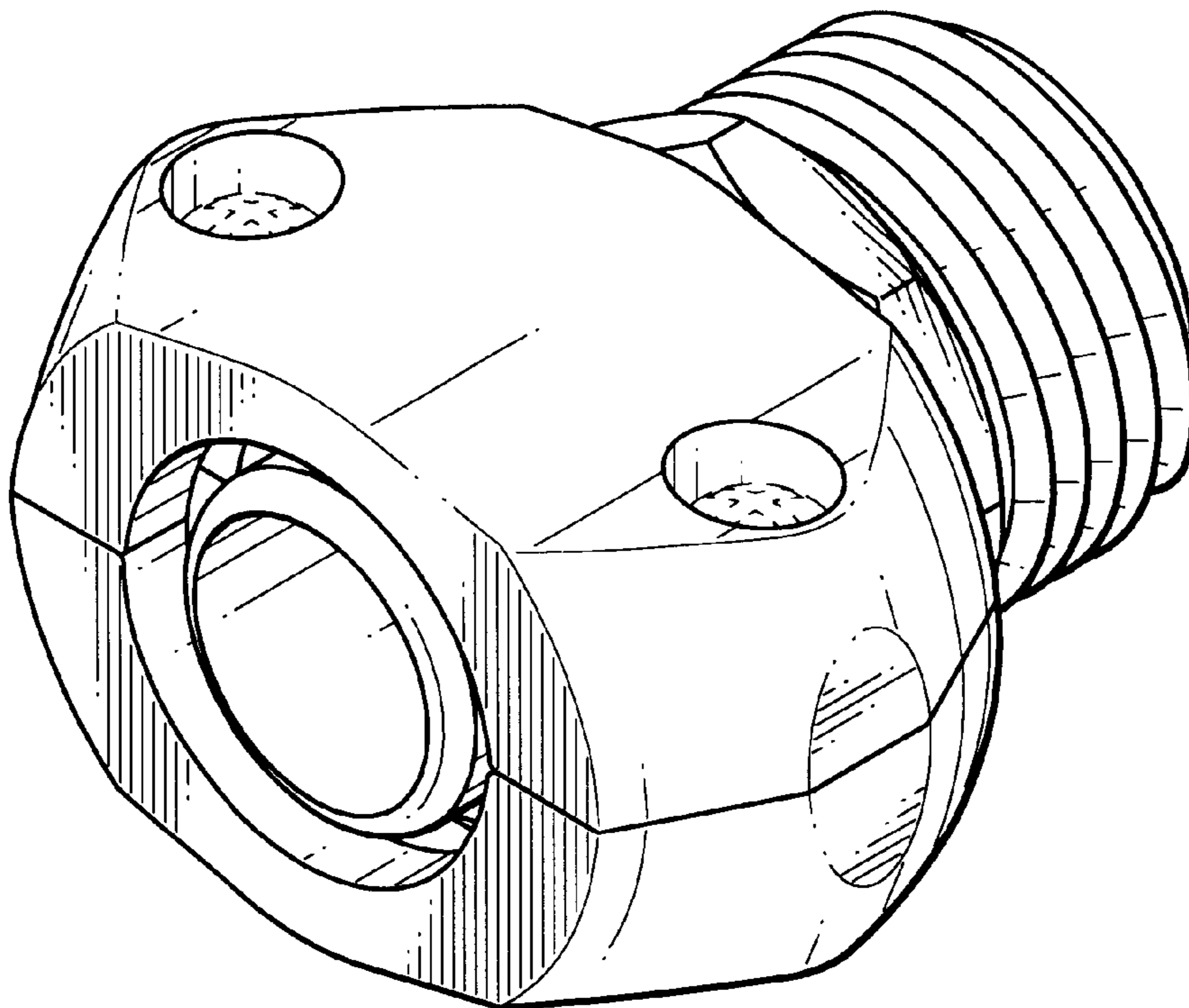
FIG. 6 is a front elevational view thereof;

FIG. 7 is a rear elevational view thereof; and,

FIG. 8 is a left side elevational view thereof which is identical to the right side elevational view thereof.

The broken lines showing various features of a male garden hose coupling are for illustrative purposes only and form no part of the claimed design.

1 Claim, 6 Drawing Sheets



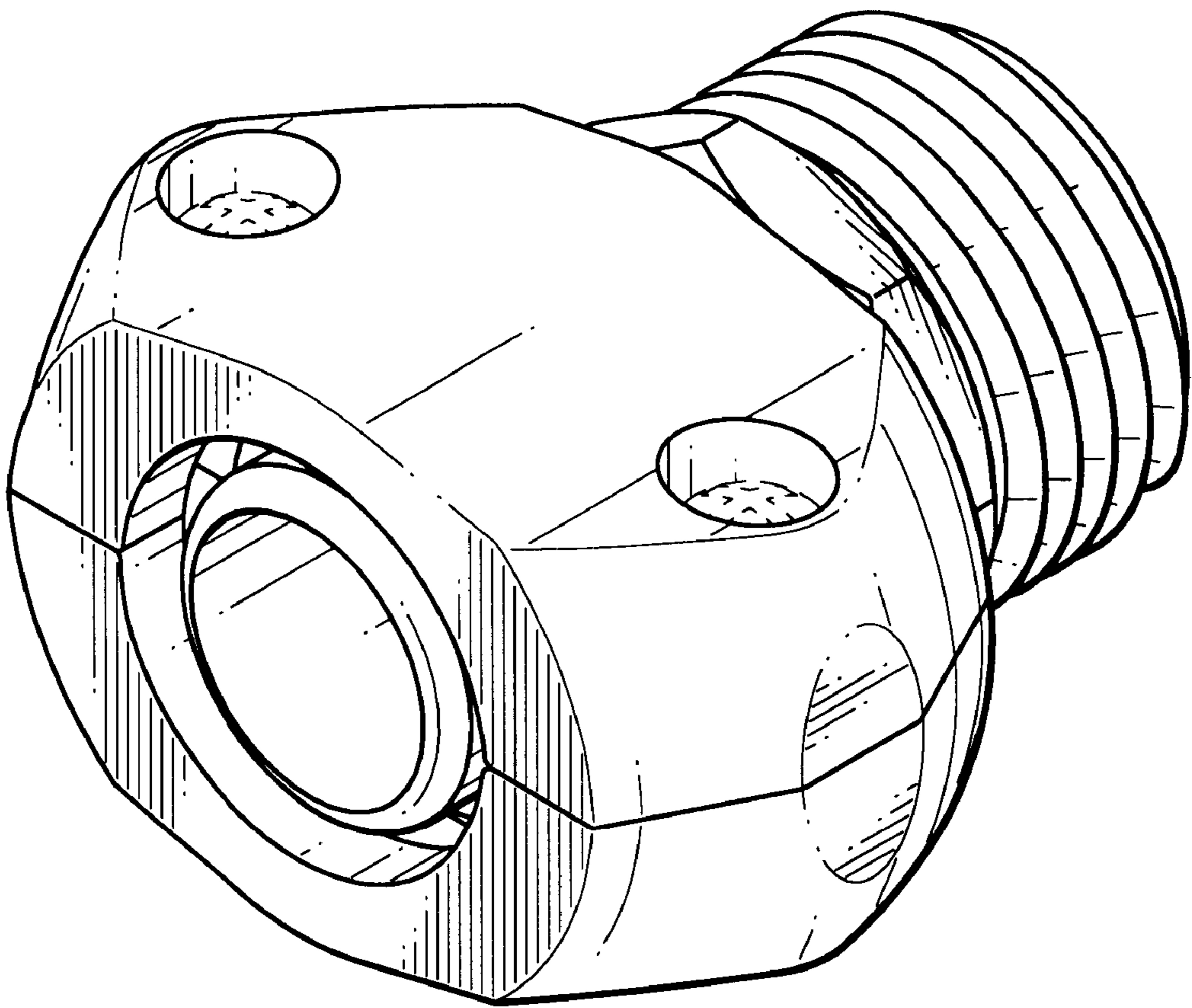
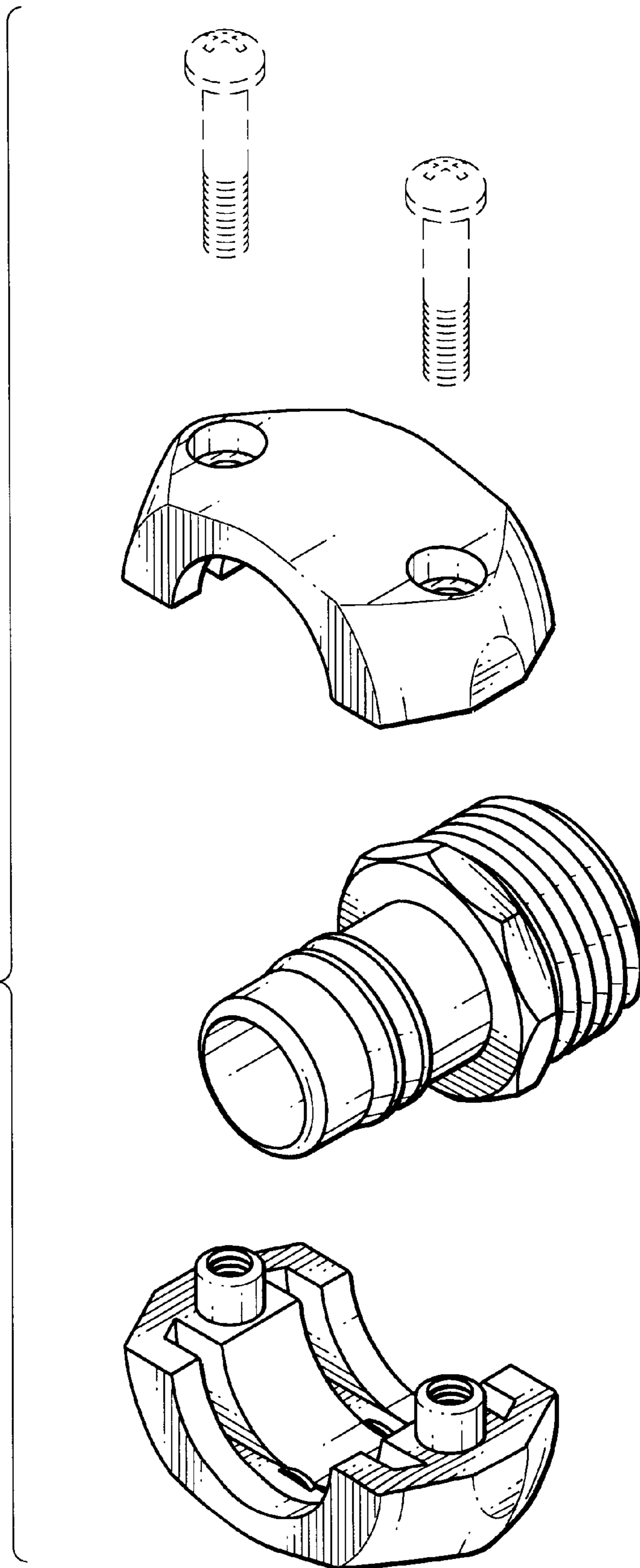


FIG. 1

FIG. 2



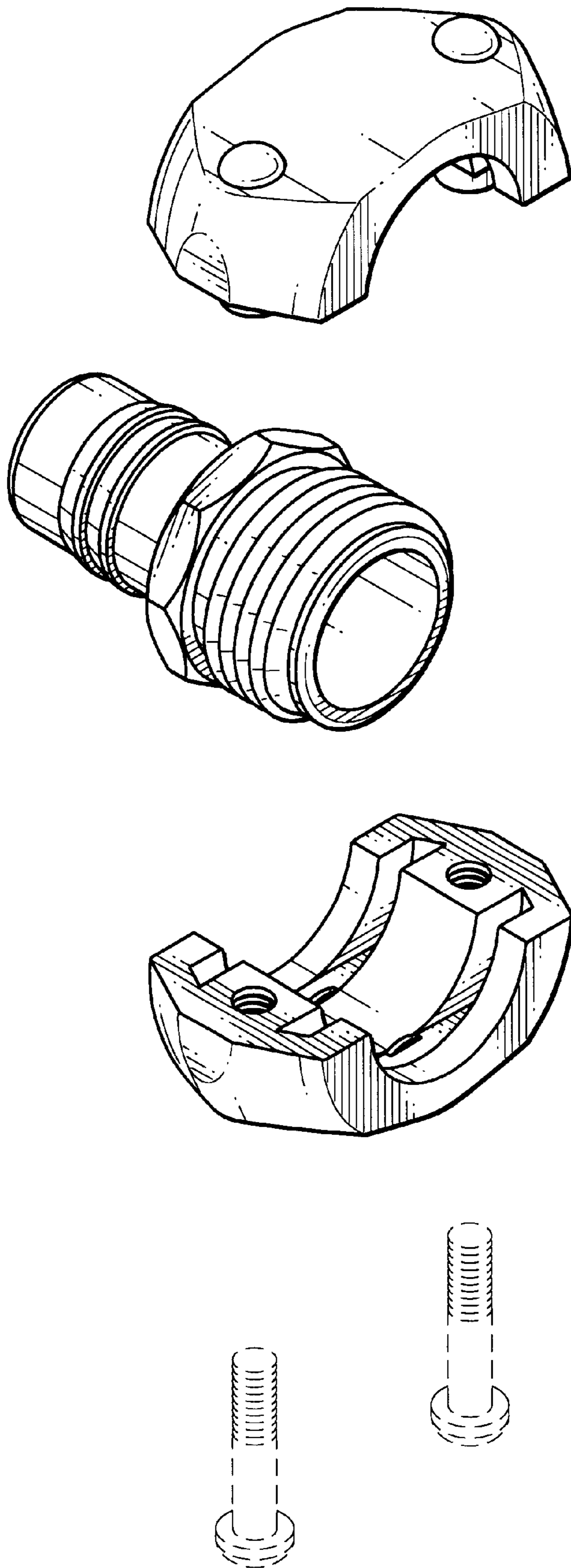


FIG. 3

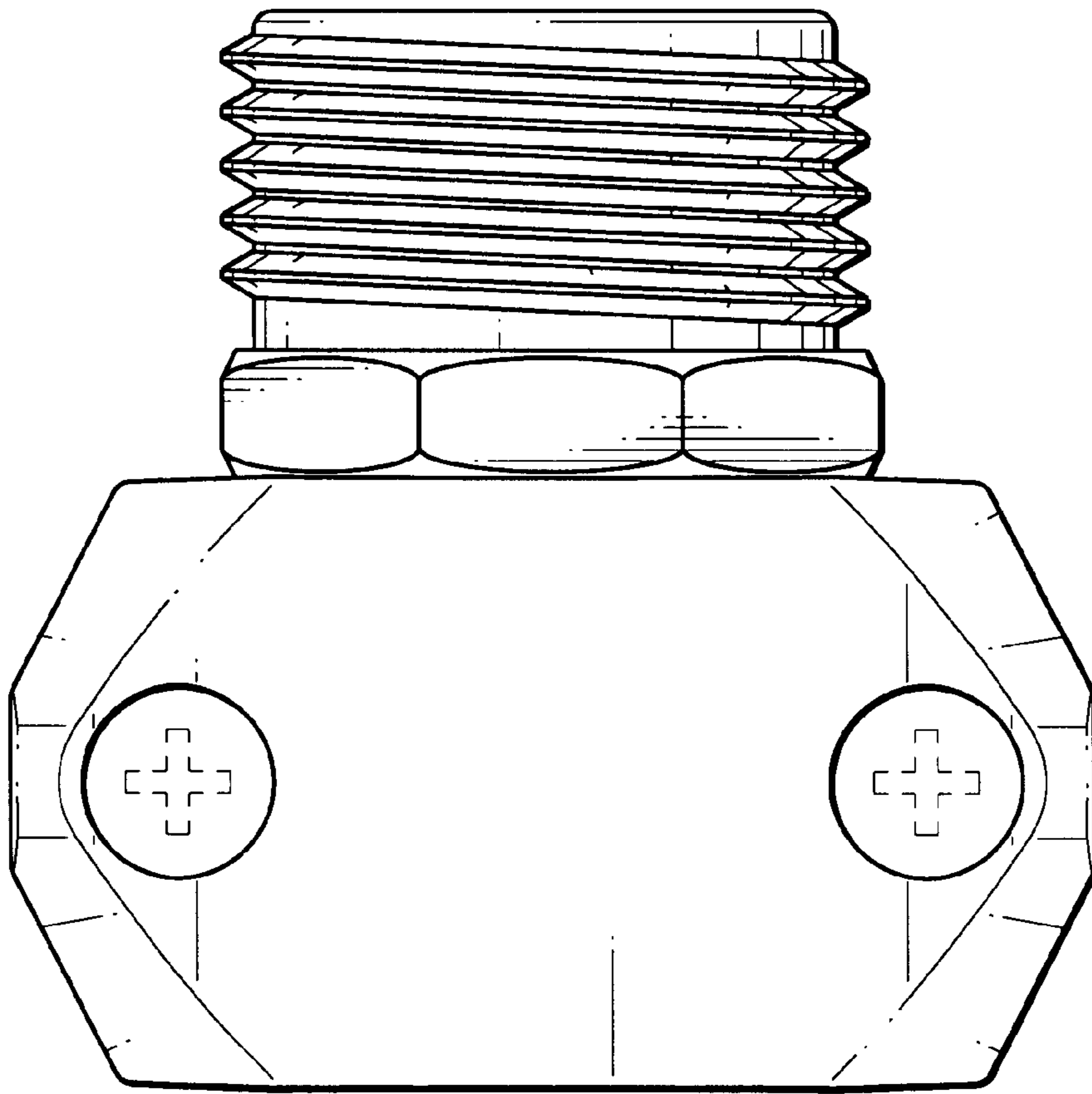


FIG. 4

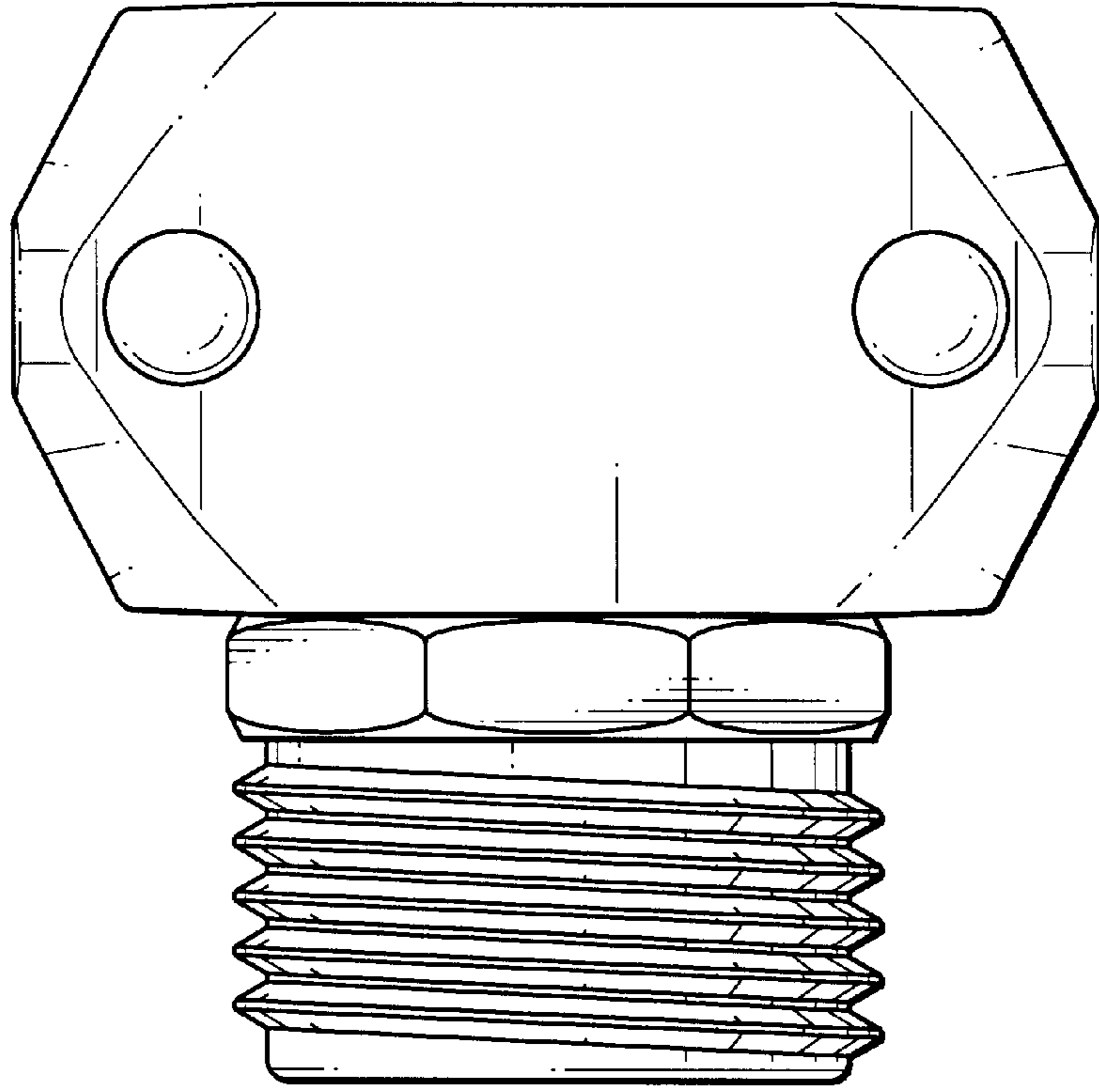


FIG. 5

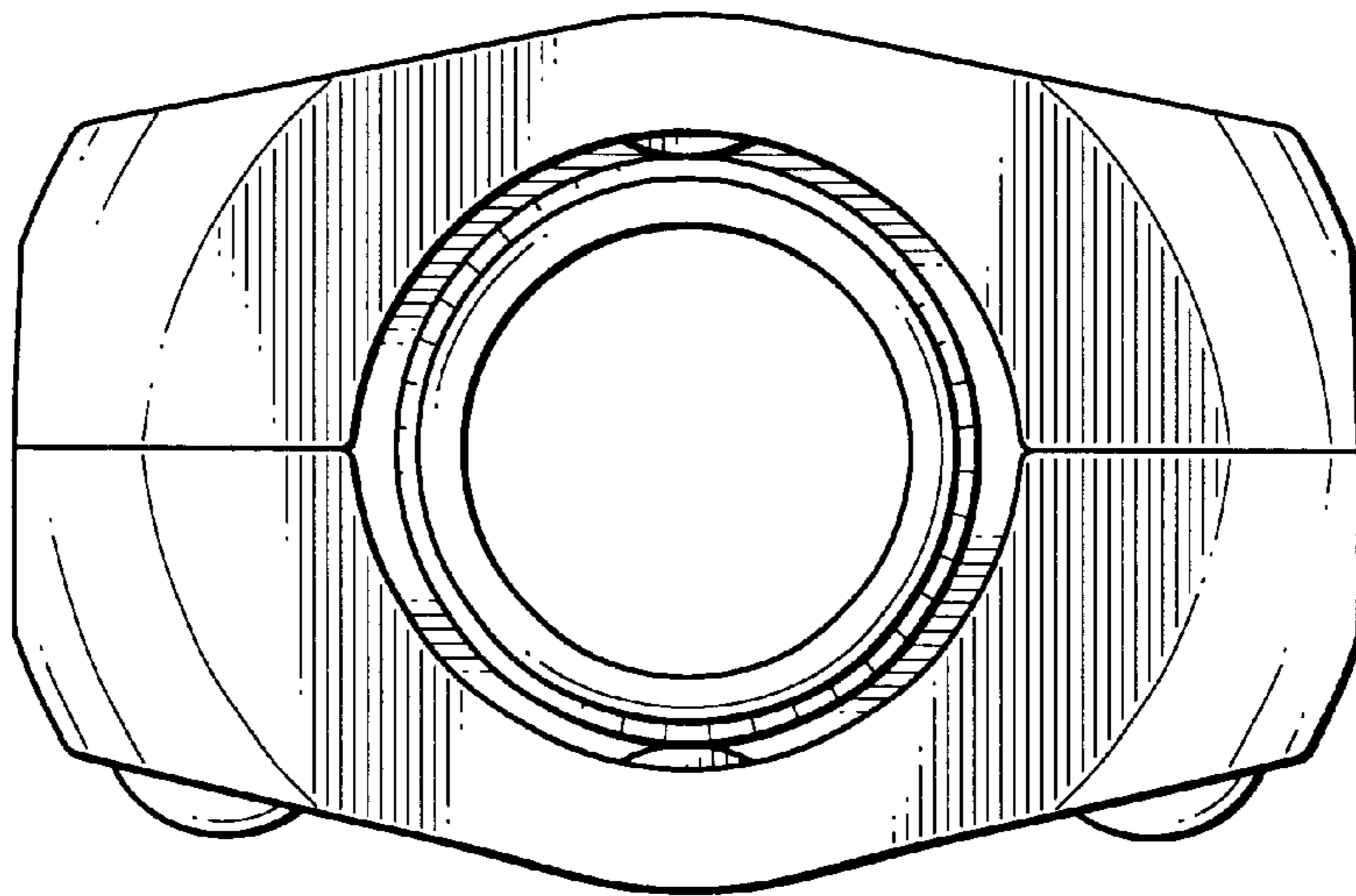


FIG. 6

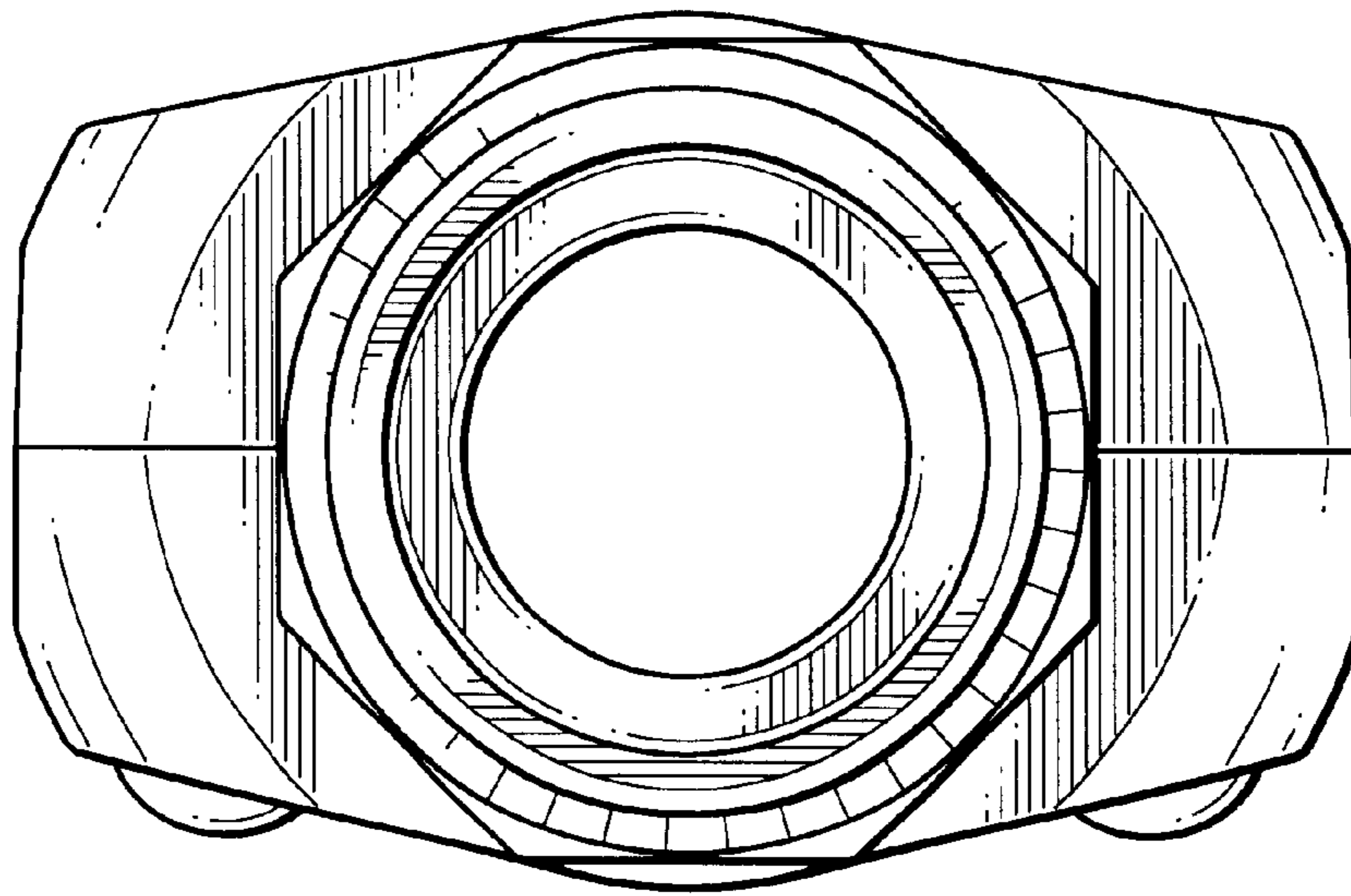


FIG. 7

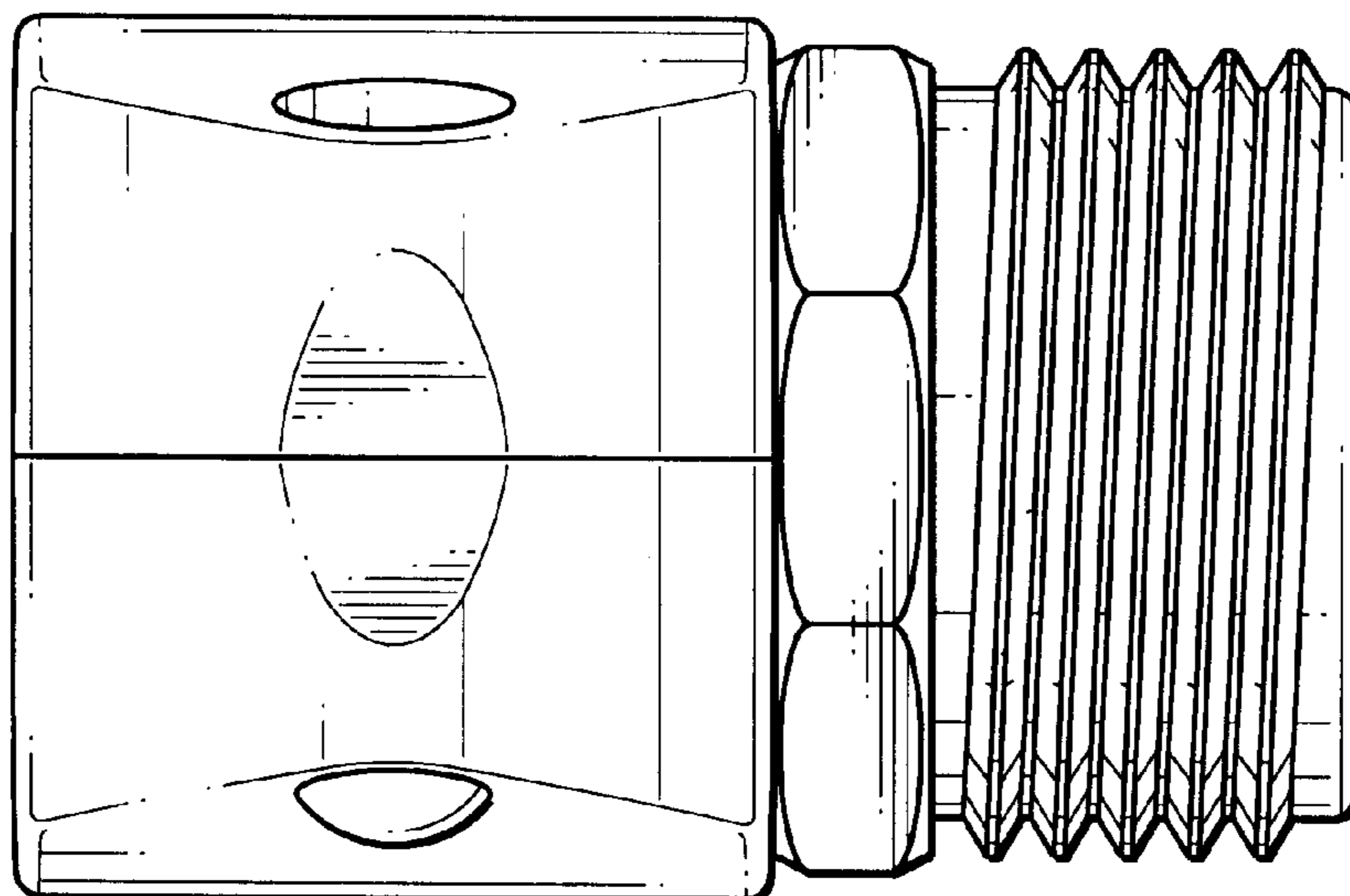


FIG. 8