



US00D475765S

(12) **United States Design Patent**
Singtoroj

(10) **Patent No.:** **US D475,765 S**

(45) **Date of Patent:** **** Jun. 10, 2003**

- (54) **SHOWER HANDLE FLANGE**
- (75) Inventor: **Yos Singtoroj**, Anaheim, CA (US)
- (73) Assignee: **Newfrey LLC**, Newark, DE (US)
- (**) Term: **14 Years**
- (21) Appl. No.: **29/158,489**
- (22) Filed: **Apr. 4, 2002**
- (51) **LOC (7) Cl.** **23-01**
- (52) **U.S. Cl.** **D23/249**
- (58) **Field of Search** D23/213, 233,
D23/238-243, 245-249, 250; D8/350, 352

- D300,238 S * 3/1989 Kohler, Jr. et al. D23/249
- D386,667 S * 11/1997 Smith D8/352
- D415,257 S * 10/1999 Abel D23/250

* cited by examiner

Primary Examiner—Nelson C. Holtje
(74) *Attorney, Agent, or Firm*—Richard J. Veltman; John D. Del Ponti

(57) **CLAIM**

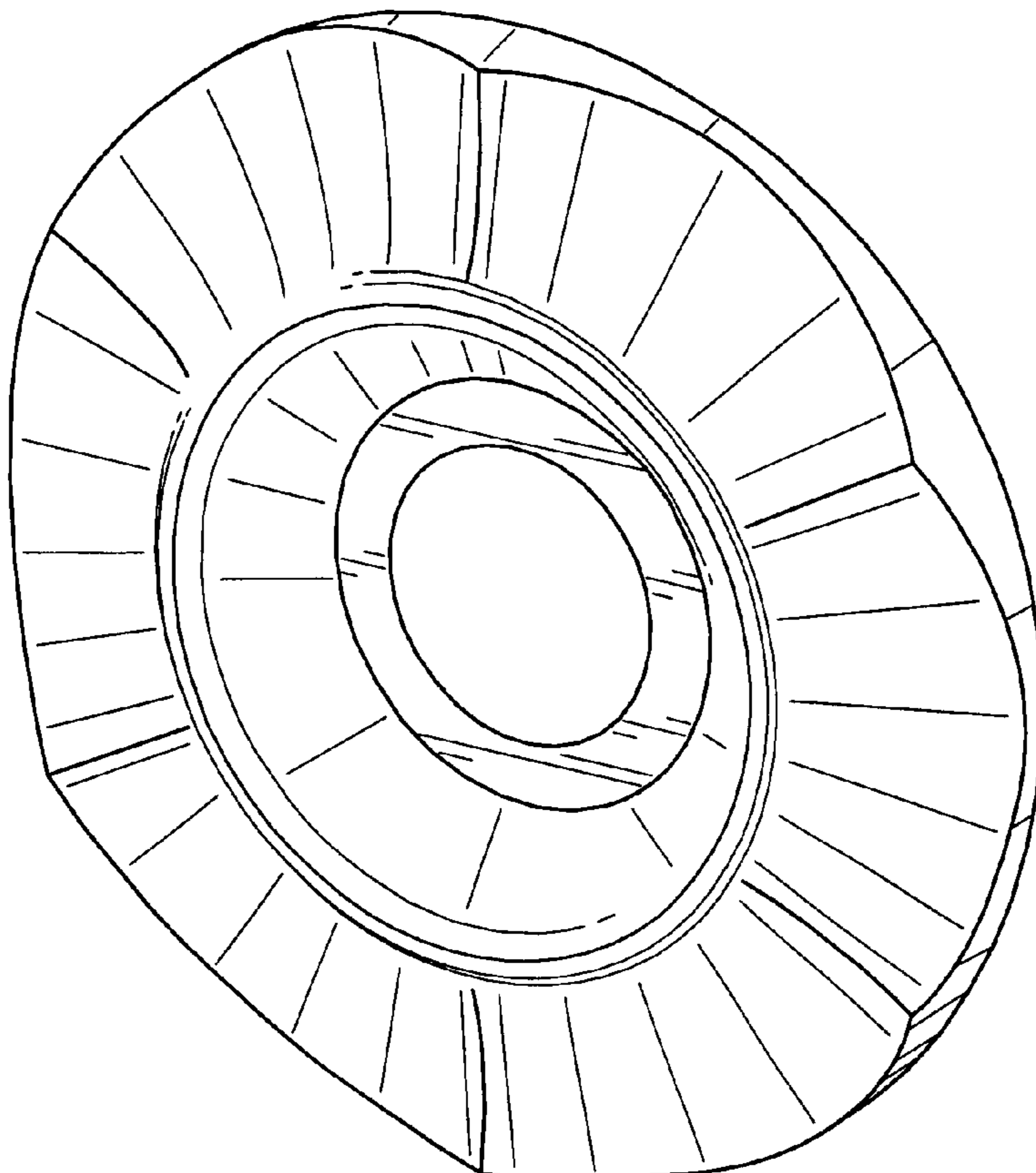
The ornamental design for a shower handle flange, as shown.

DESCRIPTION

FIG. 1 is a perspective view of the new design for a shower handle flange;
 FIG. 2 is a front elevational view of the new design for a shower handle flange;
 FIG. 3 is a rear elevational view of the new design for a shower handle flange;
 FIG. 4 is a top elevational view of the new design for a shower handle flange, the bottom view being a mirror image; and,
 FIG. 5 is a right side elevational view of the new design for a shower handle flange, the left side view being a mirror image.

- (56) **References Cited**
- U.S. PATENT DOCUMENTS**
- D77,334 S 12/1928 Thompson
- D78,619 S 5/1929 Frankenberger
- D82,360 S 10/1930 Albert
- D84,900 S * 8/1931 Moran D23/213
- D87,757 S 9/1932 Pope
- D87,830 S 9/1932 Ferguson
- D90,353 S 7/1933 Balton
- D228,061 S * 8/1973 Kartarik D8/350
- D231,329 S 4/1974 Levy
- D277,537 S 2/1985 Merl et al.
- D284,687 S * 7/1986 Doman et al. D23/249

1 Claim, 5 Drawing Sheets



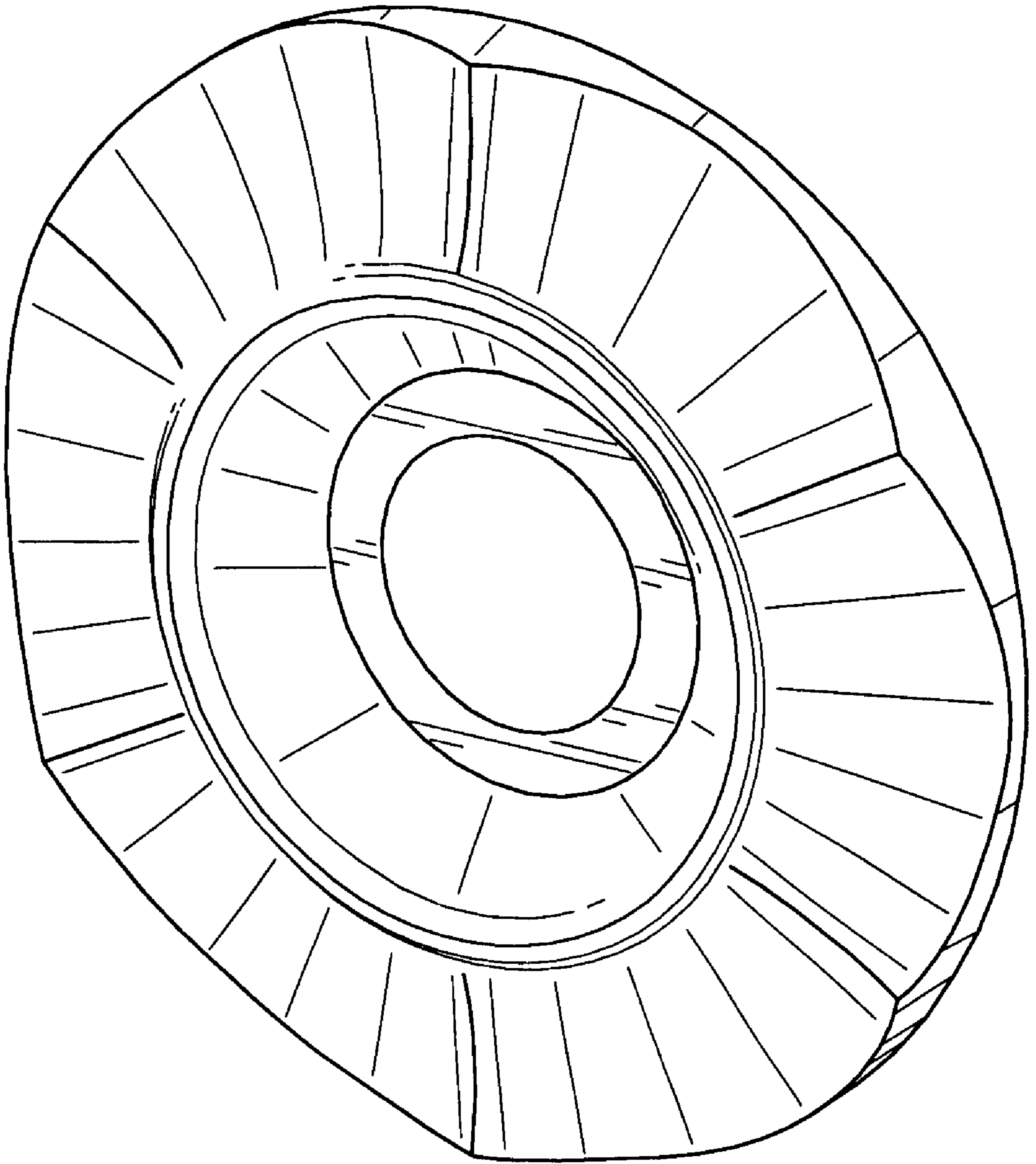


FIG. 1

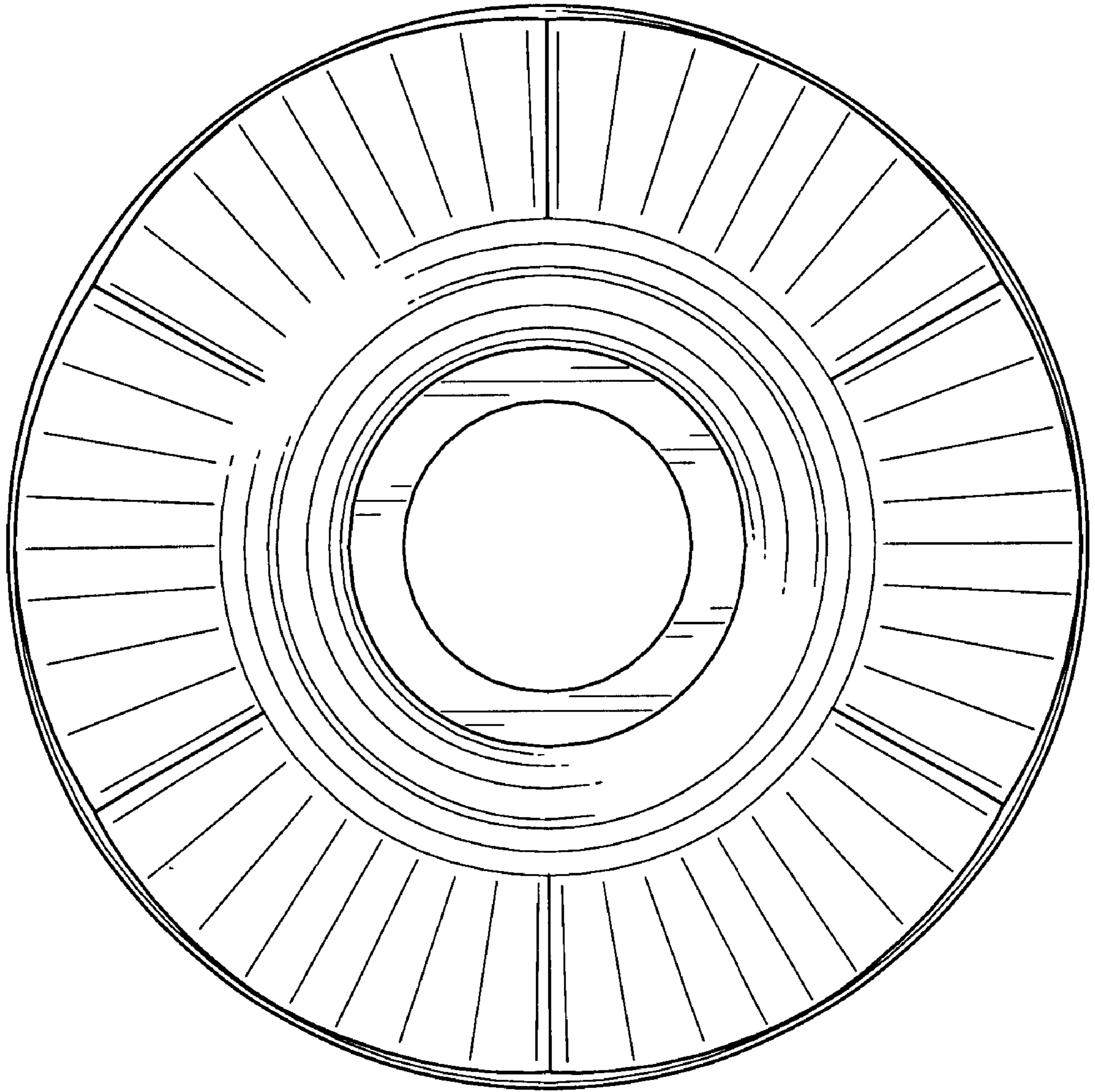


FIG. 2

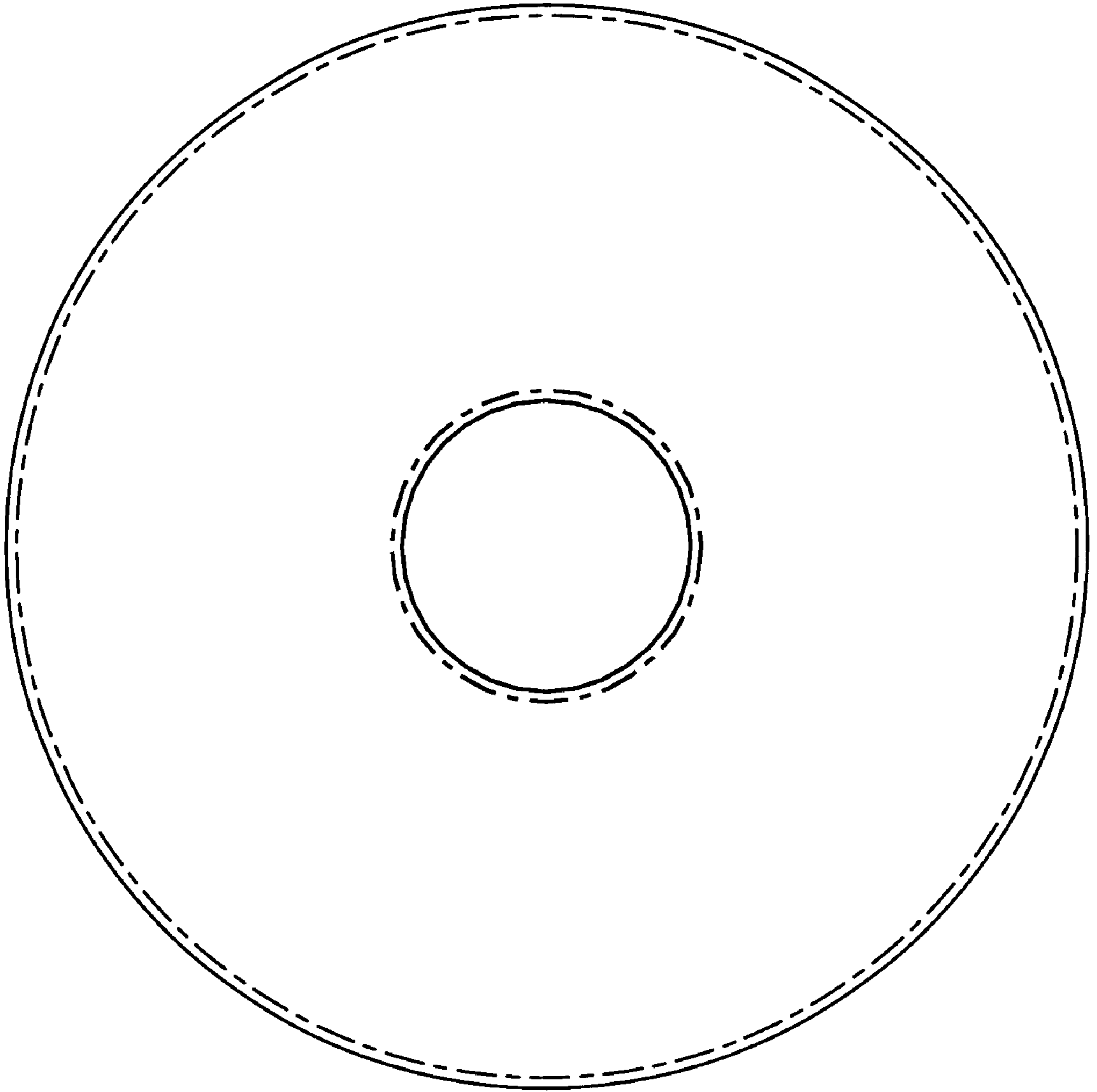


FIG. 3

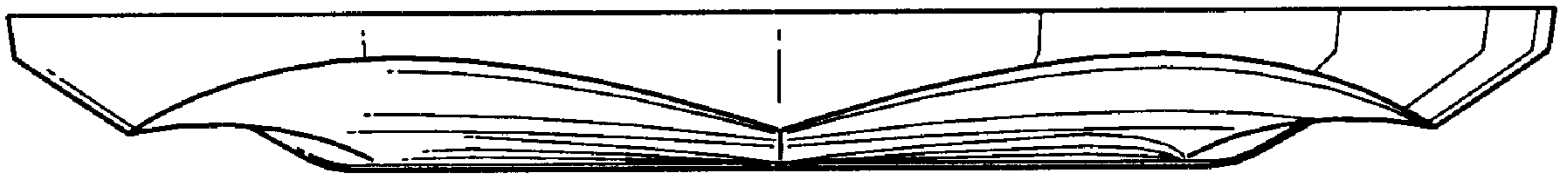


FIG. 4

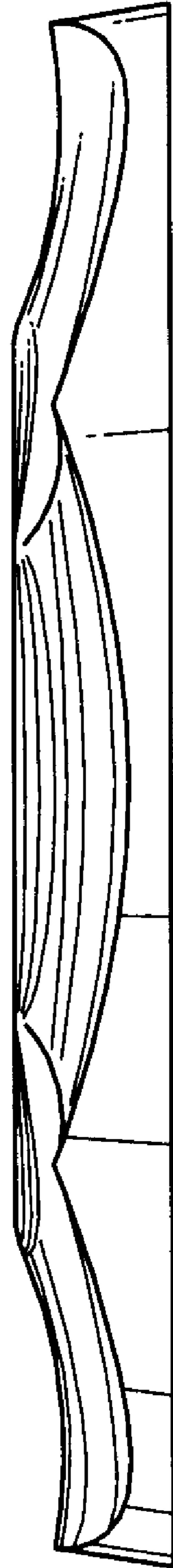


FIG. 5