



US00D475764S

(12) **United States Design Patent**
Singtoroj

(10) **Patent No.:** **US D475,764 S**

(45) **Date of Patent:** **** Jun. 10, 2003**

(54) **FAUCET**

(75) **Inventor:** **Yos Singtoroj, Anaheim, CA (US)**

(73) **Assignee:** **Newfrey LLC, Newark, DE (US)**

(**) **Term:** **14 Years**

(21) **Appl. No.:** **29/167,666**

(22) **Filed:** **Sep. 18, 2002**

(51) **LOC (7) Cl.** **23-01**

(52) **U.S. Cl.** **D23/241**

(58) **Field of Search** **D23/238-257;**
4/675-678; 137/801

D420,102 S * 2/2000 Warshawsky et al. D23/241
D463,015 S 9/2002 Chang
D463,533 S * 9/2002 Ko D23/242
D465,266 S * 11/2002 Singtoroj D23/238
D467,308 S * 12/2002 Otero et al. D23/242

* cited by examiner

Primary Examiner—Louis S. Zarfes

Assistant Examiner—Gregory Andoll

(74) *Attorney, Agent, or Firm*—Richard J. Veltman; John D. Del Ponti

(57) **CLAIM**

The ornamental design for a faucet, as shown and described.

DESCRIPTION

FIG. 1 is a perspective view of the new design for a faucet; FIG. 2 is a front elevational view of the new design for a faucet;

FIG. 3 is a rear elevational view of the new design for a faucet.

FIG. 4 is a right side elevational view of the new design for a faucet, the left side elevational view being a mirror image;

FIG. 5 is a top plan view of the new design for a faucet; and, FIG. 6 is a bottom plan view of the new design for a faucet.

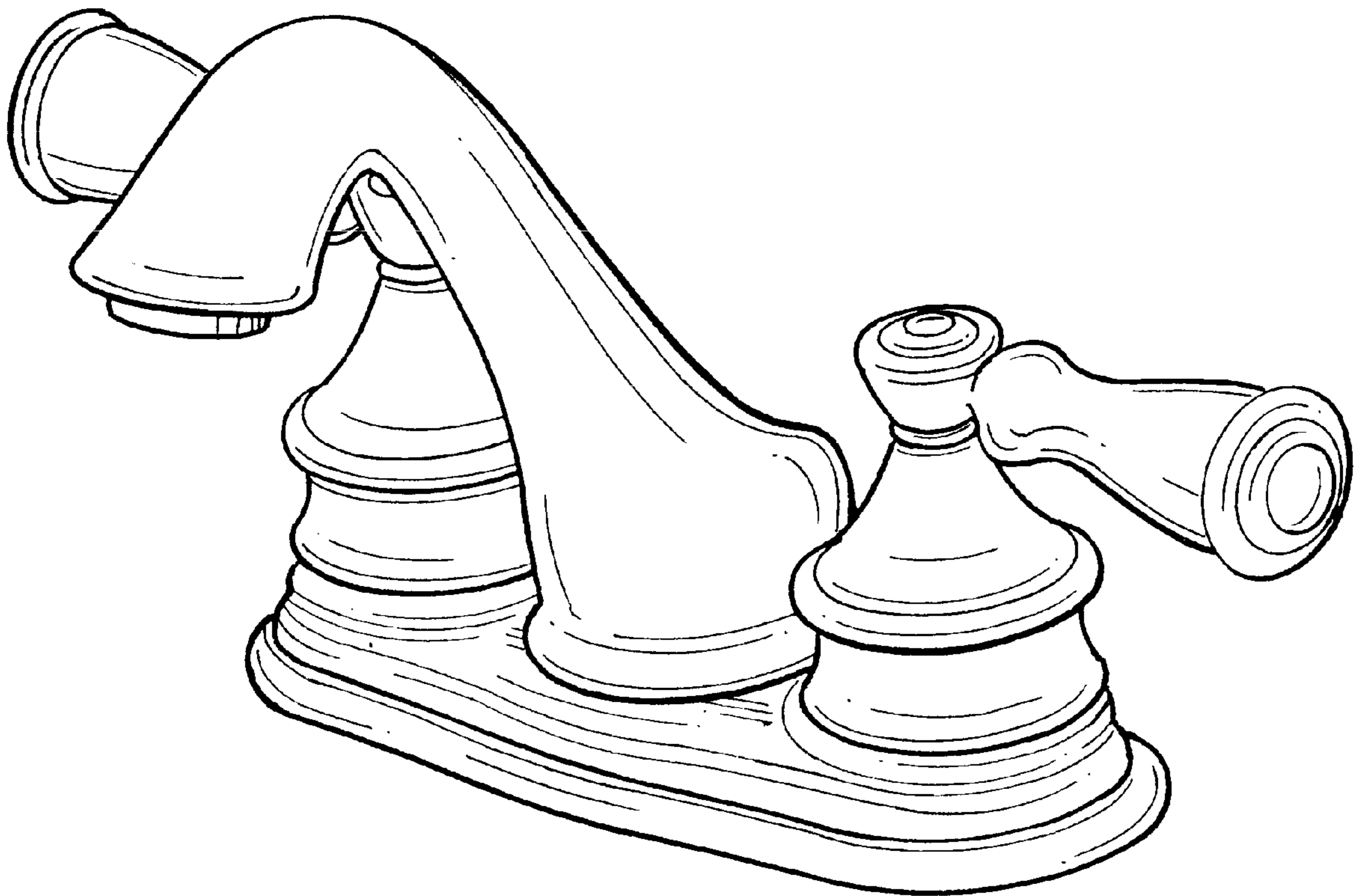
The broken lines in the Figures are for illustrative purposes only and form no part of the claimed design.

1 Claim, 5 Drawing Sheets

(56) **References Cited**

U.S. PATENT DOCUMENTS

D276,259 S	11/1984	Miller
D288,835 S	3/1987	Yost
D293,362 S	12/1987	Hill et al.
D318,717 S	7/1991	Spangler
D321,750 S	11/1991	Spangler
D325,772 S	4/1992	Carr
D334,230 S	3/1993	Bonnell
D361,370 S	8/1995	Fabian
D384,730 S	10/1997	Doughty et al.
D407,143 S	3/1999	Hyde et al.
D412,560 S	8/1999	Kuo
D416,982 S	11/1999	Warshawsky et al.



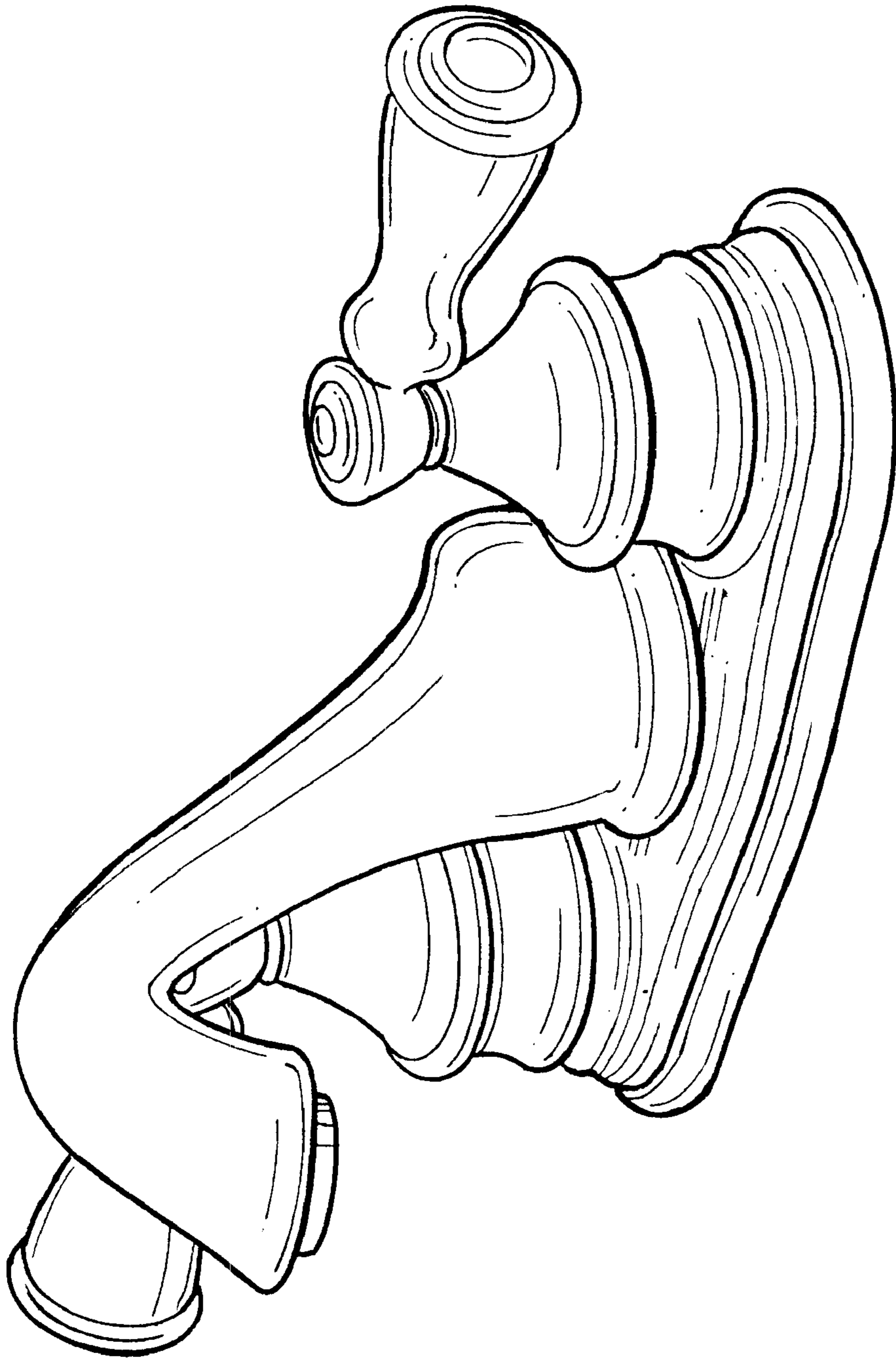


FIG. 1

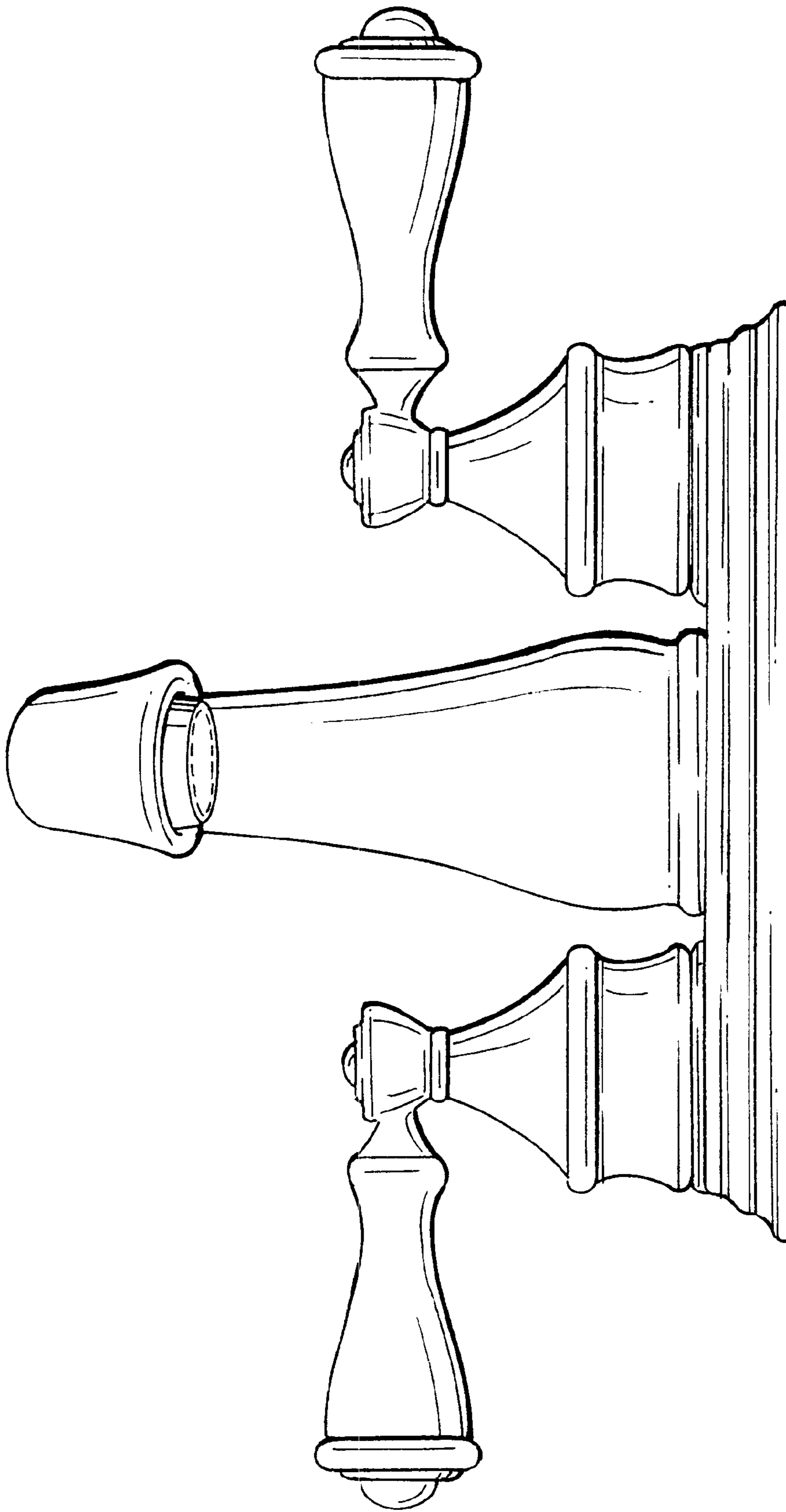


FIG. 2

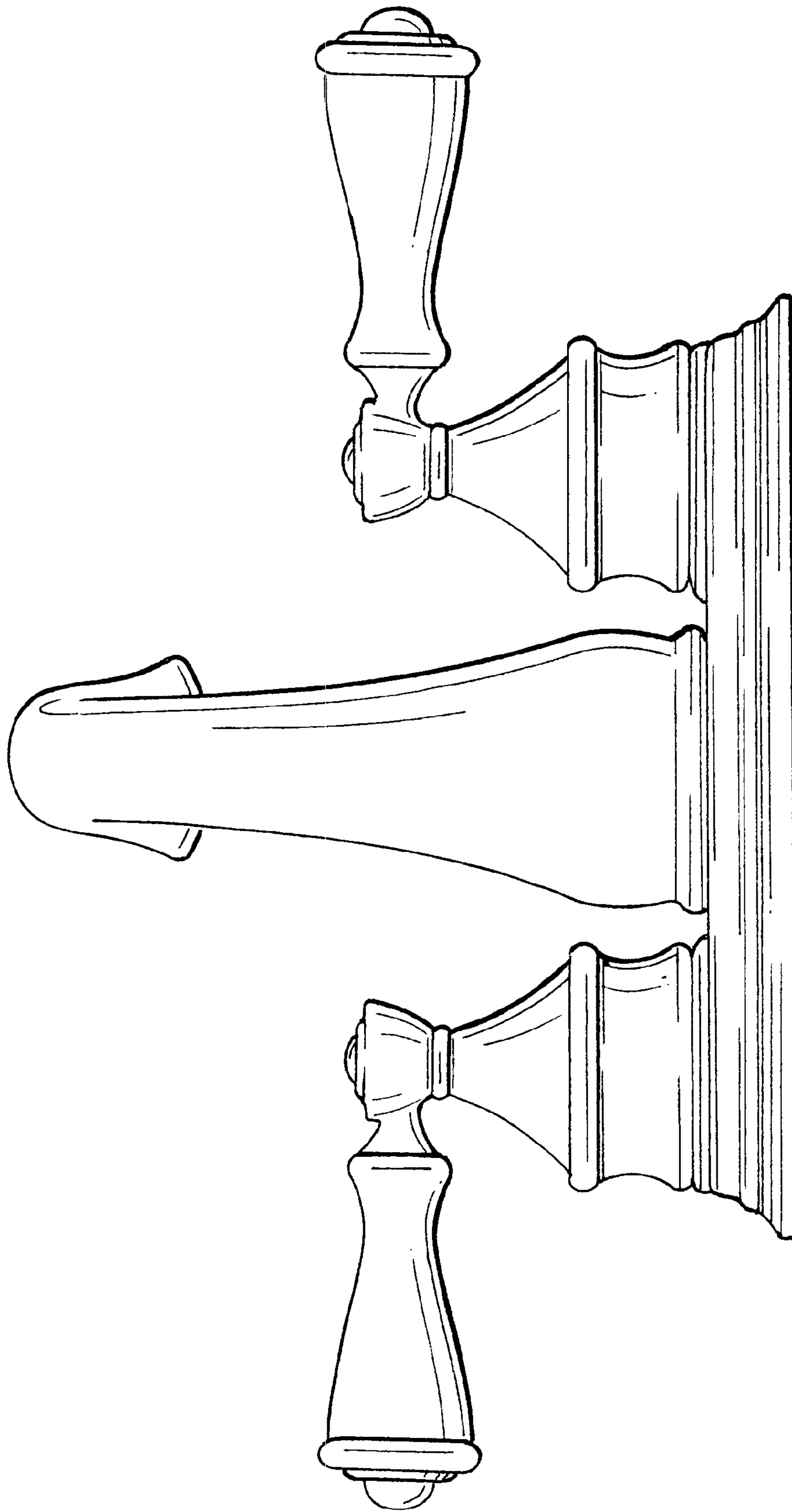


FIG. 3

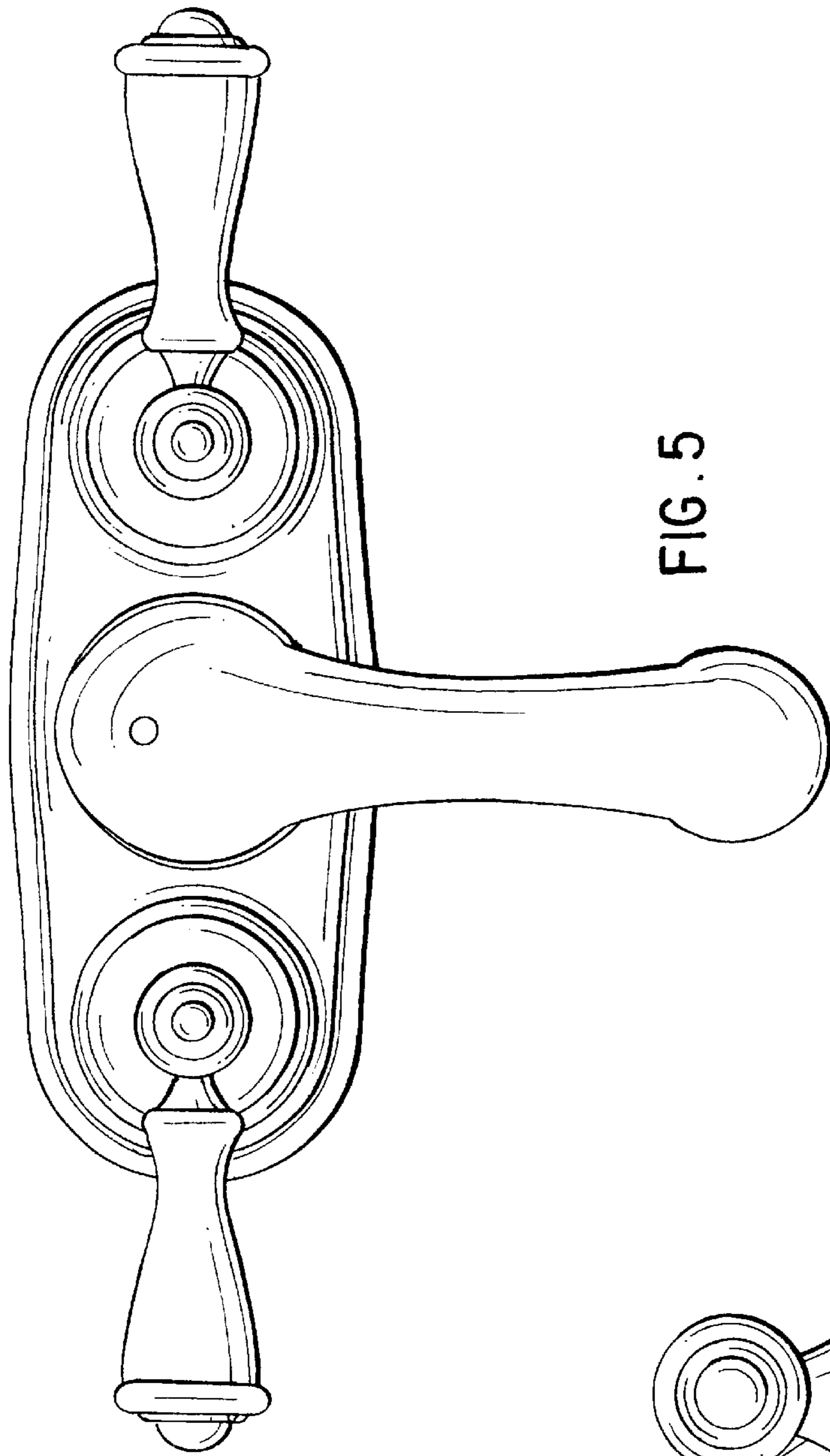


FIG. 5

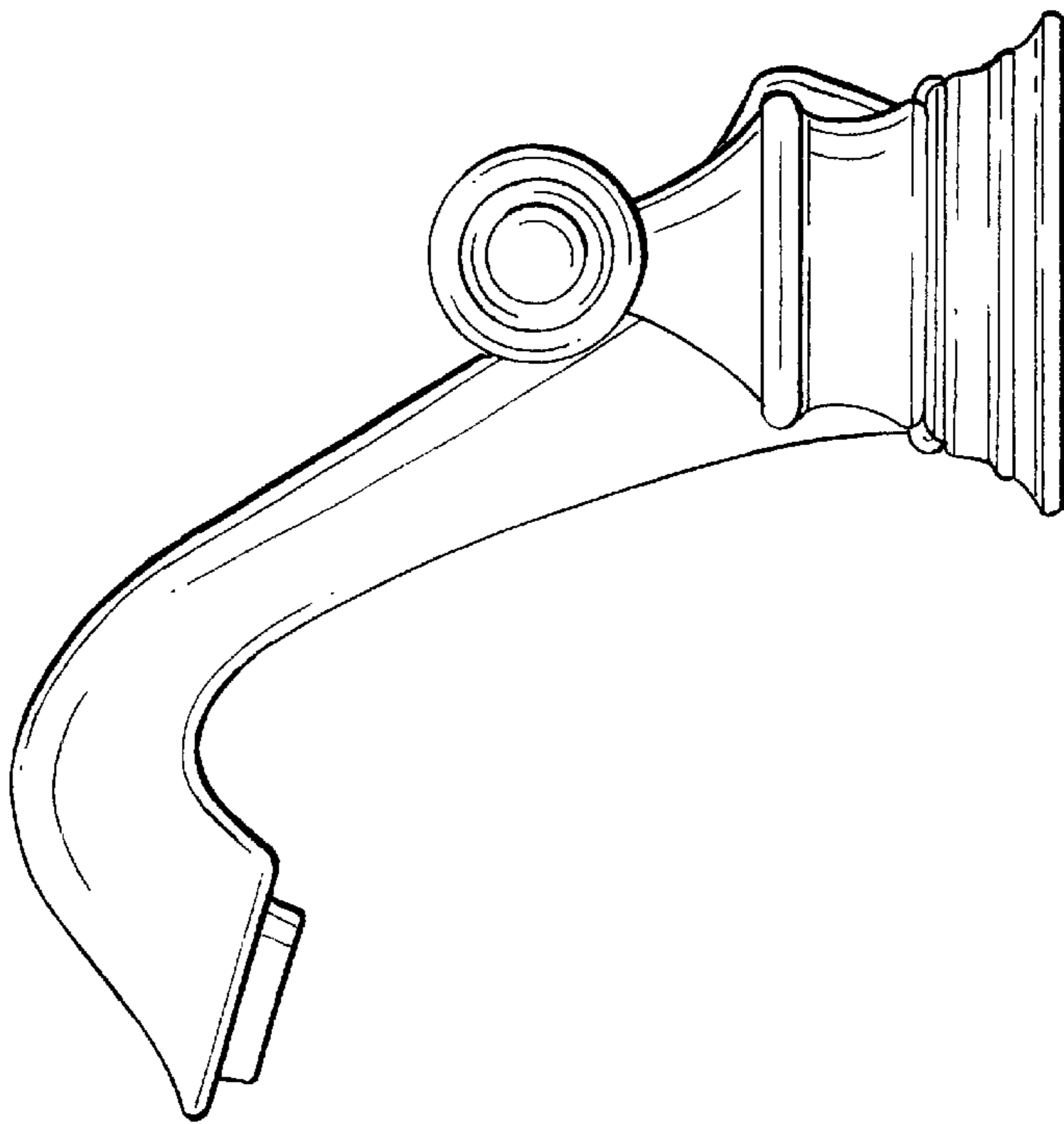


FIG. 4

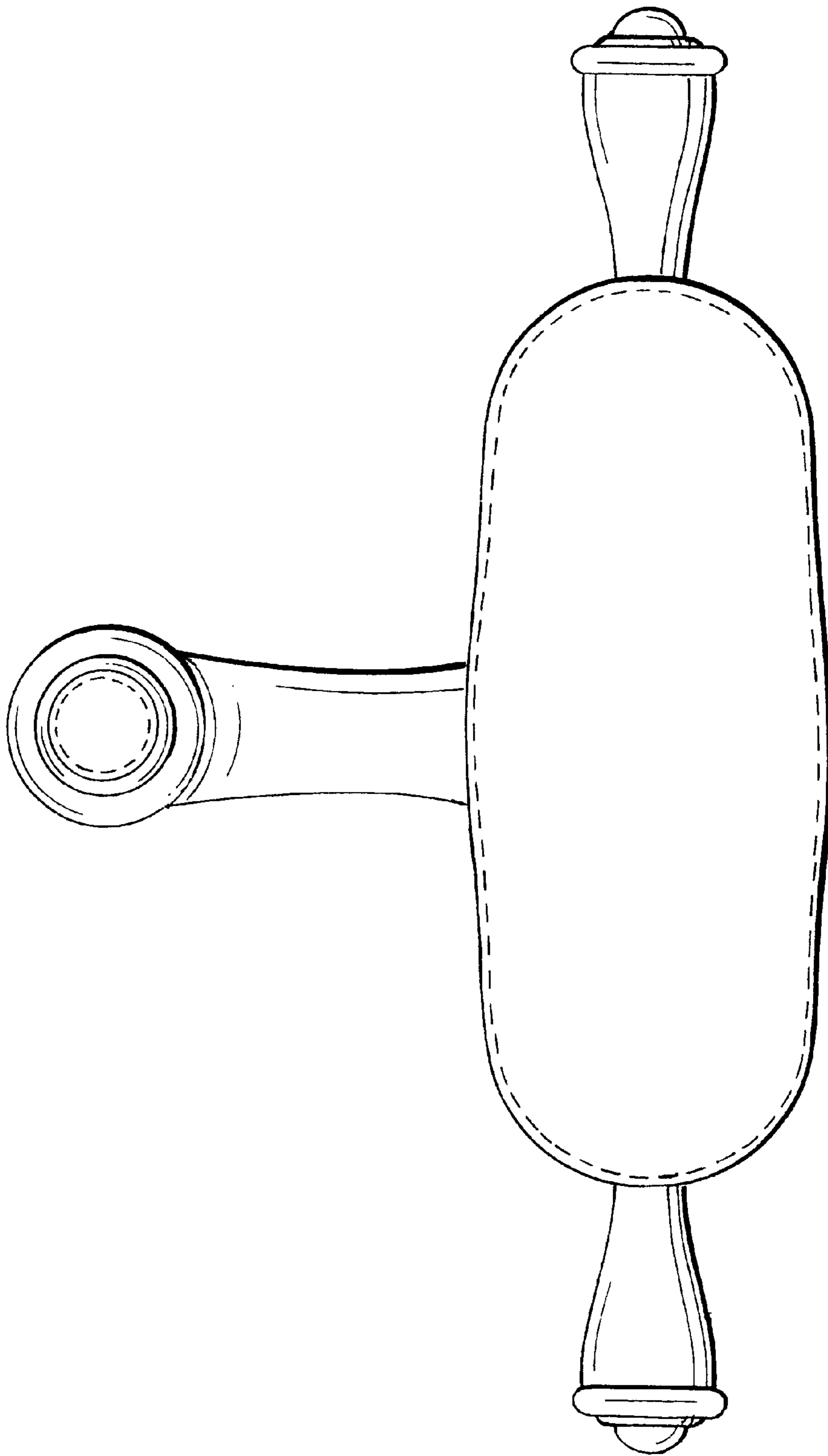


FIG. 6