



US00D475761S

(12) **United States Design Patent**  
**Walker**

(10) **Patent No.:** **US D475,761 S**

(45) **Date of Patent:** **\*\* Jun. 10, 2003**

(54) **HEAD FOR BEAD FILTRATION SYSTEM**

(76) **Inventor:** **Steve M. Walker**, 8585 Park Vista Dr.,  
Granite Bay, CA (US) 95746

(\*\*) **Term:** **14 Years**

(21) **Appl. No.:** **29/154,545**

(22) **Filed:** **Jan. 24, 2002**

(51) **LOC (7) Cl.** ..... **23-01**

(52) **U.S. Cl.** ..... **D23/209**

(58) **Field of Search** ..... **D23/207, 209;**  
**210/291, 459-462**

(56) **References Cited**

**U.S. PATENT DOCUMENTS**

2,594,650	A	*	4/1952	Huppertz	.....	210/291
3,155,612	A	*	11/1964	Weber	.....	210/291
D385,946	S	*	11/1997	Harrison et al.	.....	D23/209
D422,678	S	*	4/2000	King	.....	D23/209
6,488,846	B1	*	12/2002	Marangi	.....	210/460

\* cited by examiner

*Primary Examiner*—Robin V. Taylor

(74) *Attorney, Agent, or Firm*—Heisler & Associates

(57) **CLAIM**

The ornamental design for a head for bead filtration system,  
as shown and described.

**DESCRIPTION**

FIG. 1 is a perspective view of the head for bead filtration system according to this invention;

FIG. 2 is a front elevation view of the invention;

FIG. 3 is a right side view of the invention, the left side view being a mirror image;

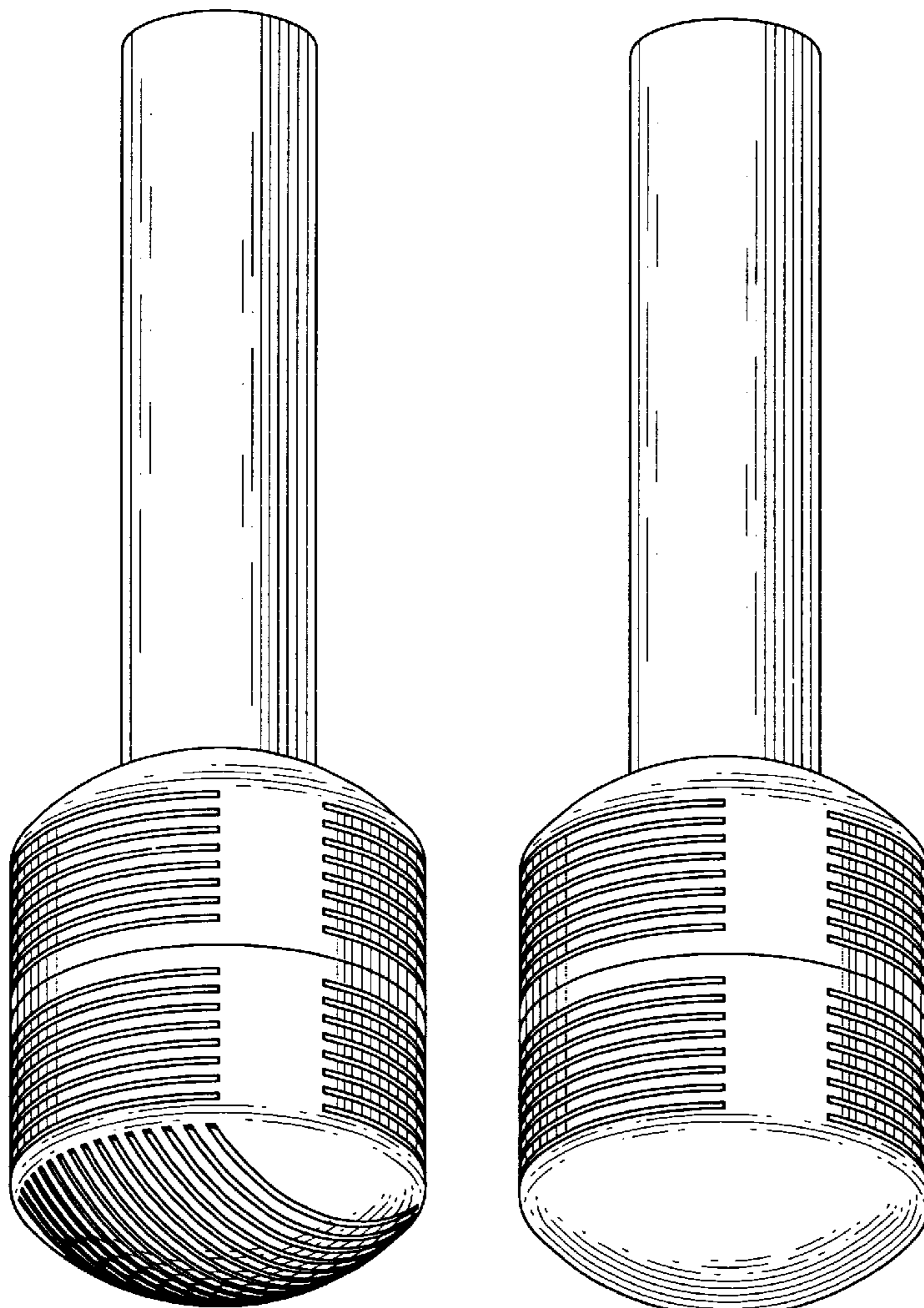
FIG. 4 is a rear elevation view of the invention;

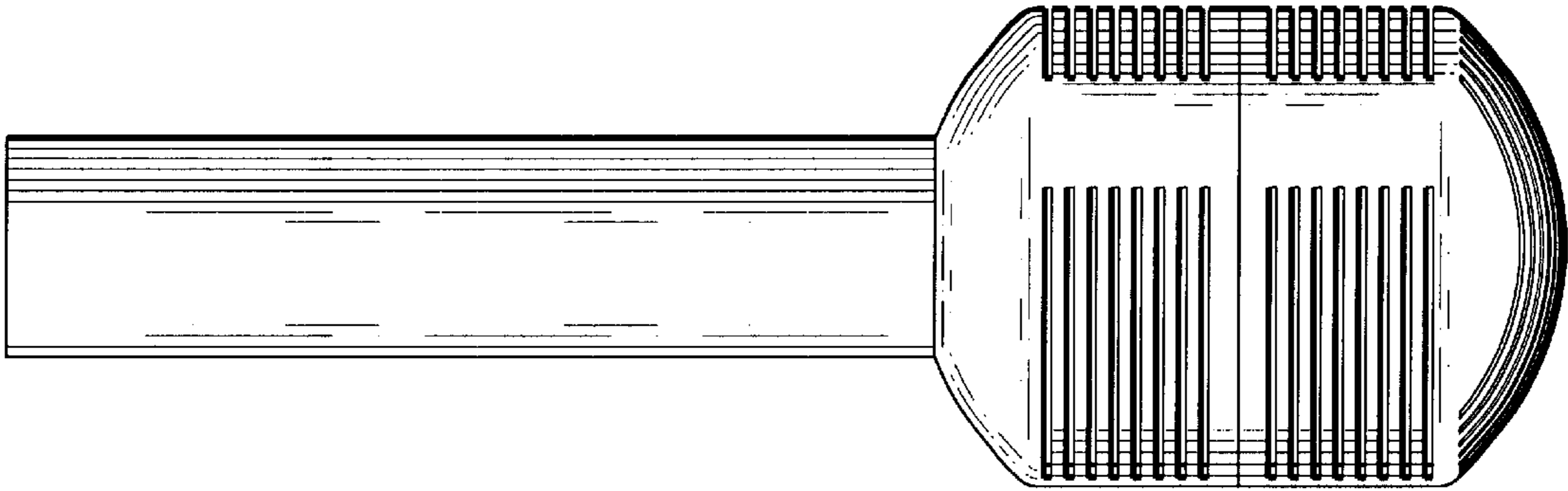
FIG. 5 is a bottom plan view of the invention;

FIG. 6 is a top plan view of the invention; and,

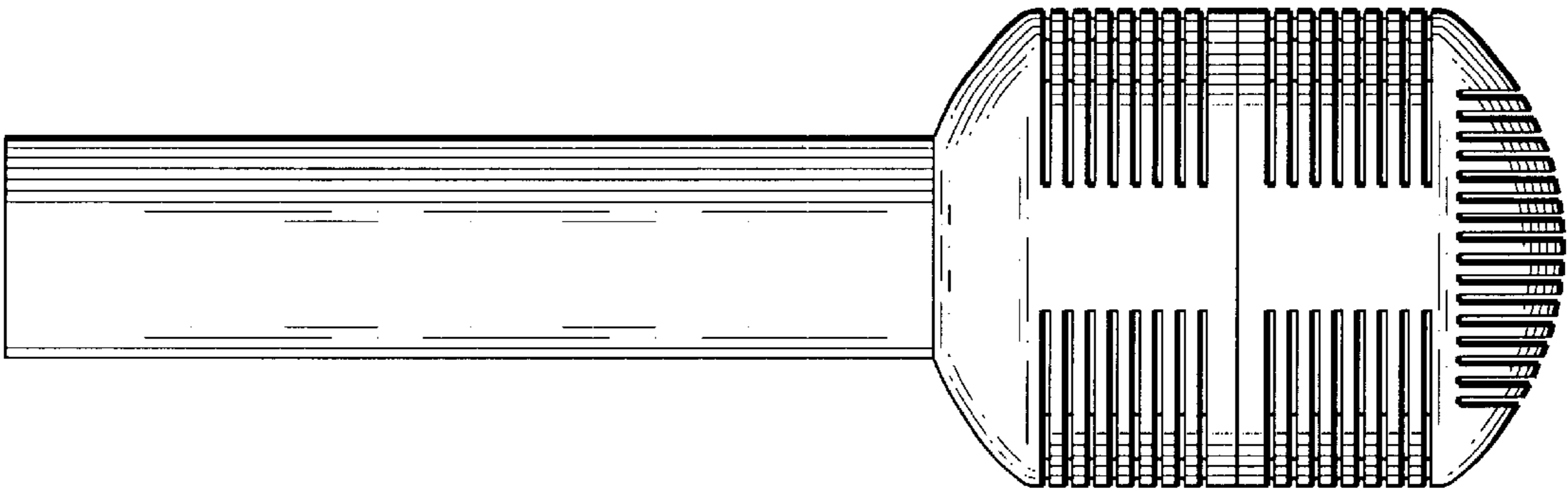
FIG. 7 is a perspective view of a second embodiment of the head for bead filtration system of this invention, the only difference being in the appearance of the bottom.

**1 Claim, 2 Drawing Sheets**

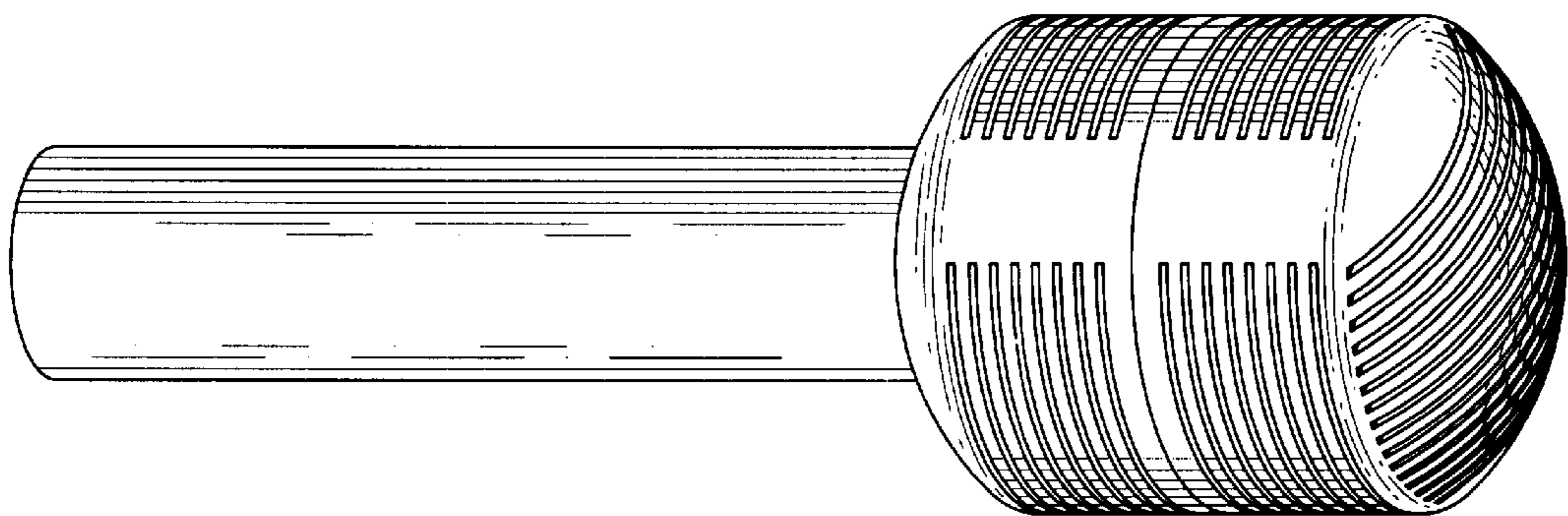




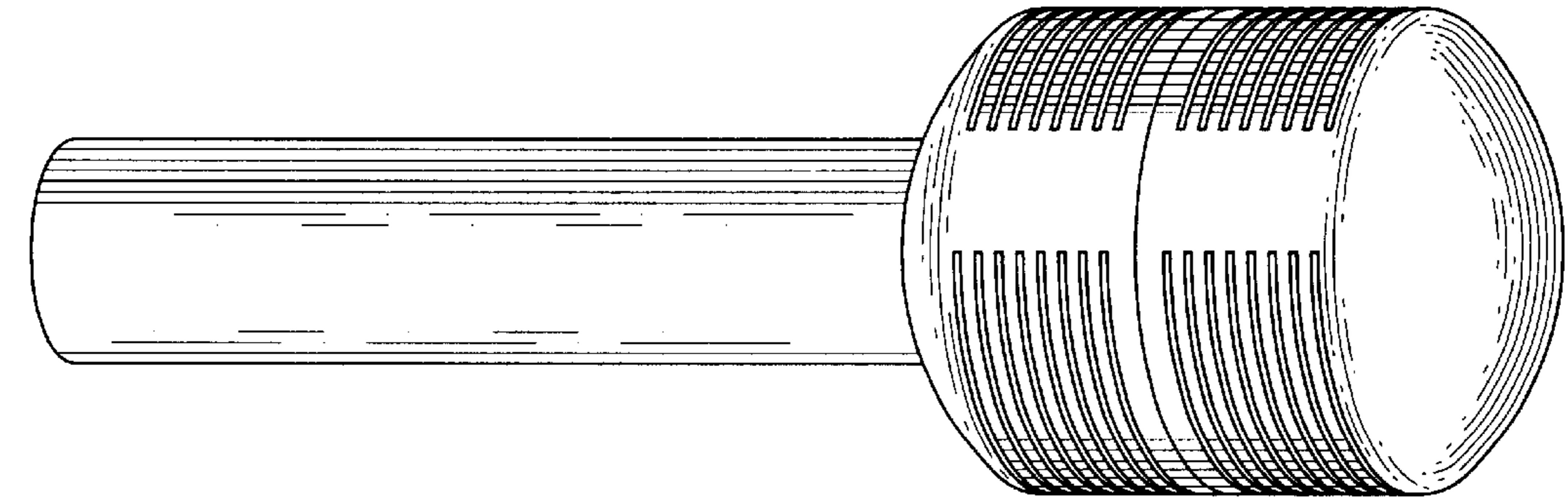
*Fig. 3*



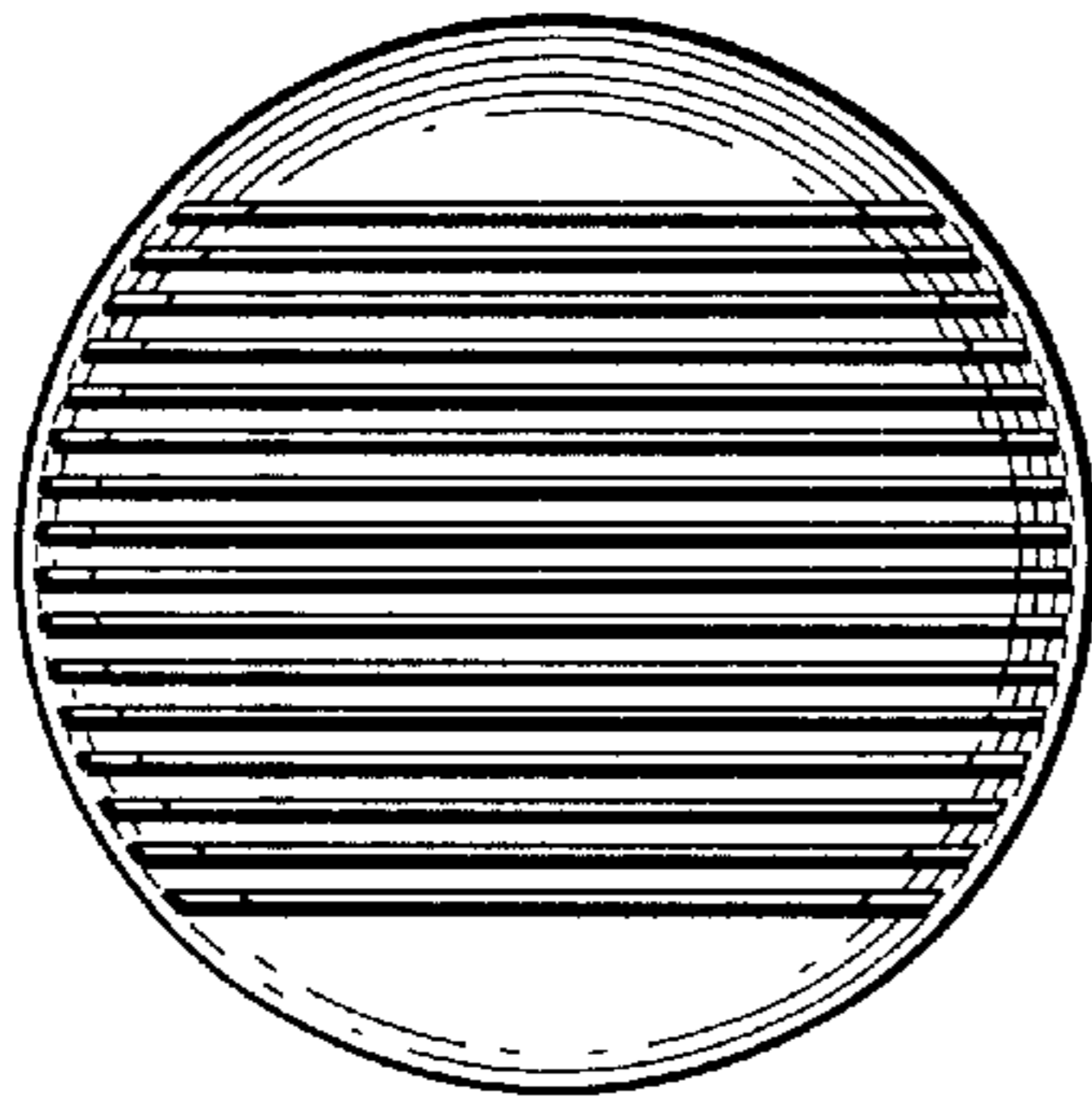
*Fig. 2*



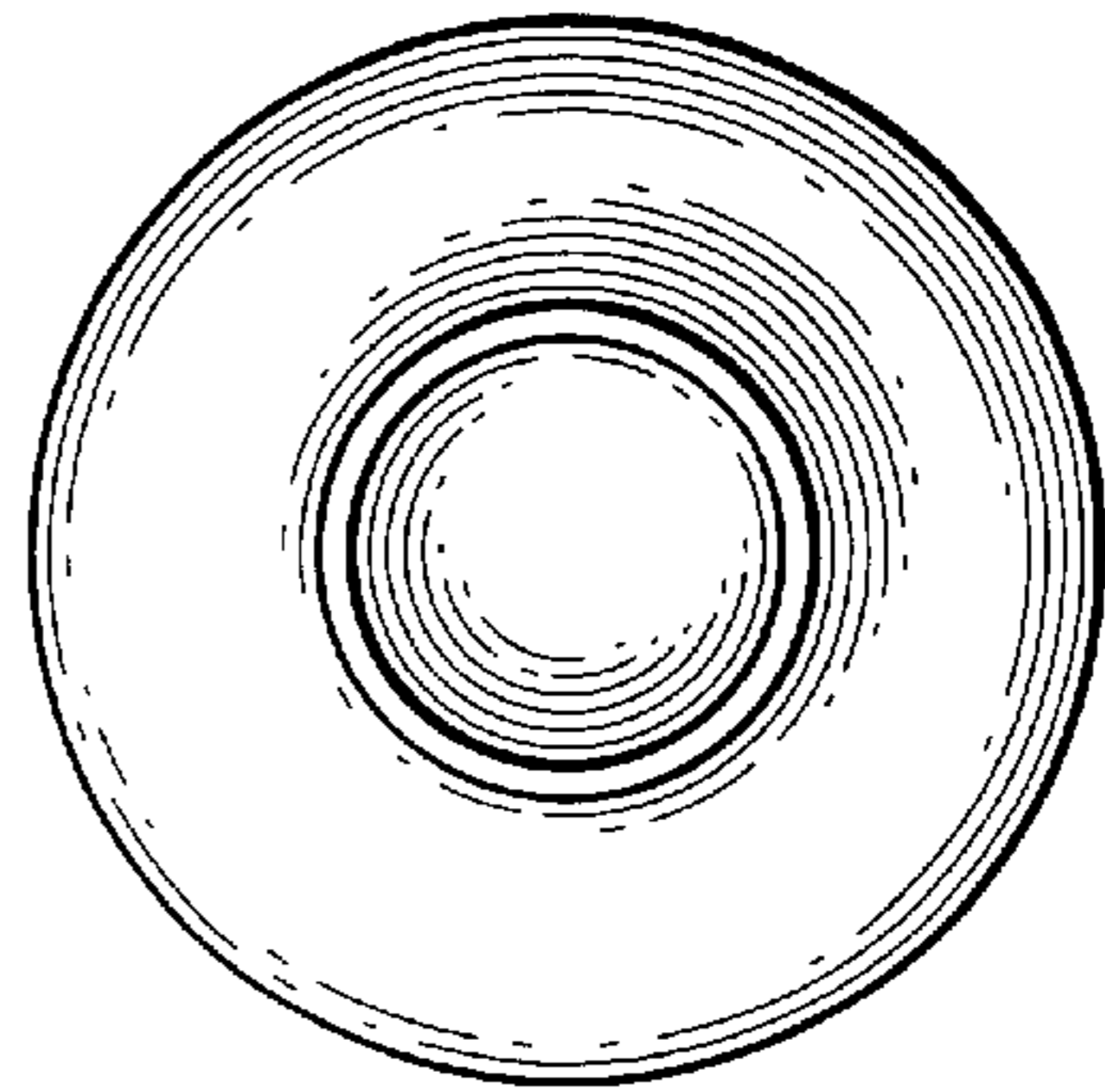
*Fig. 1*



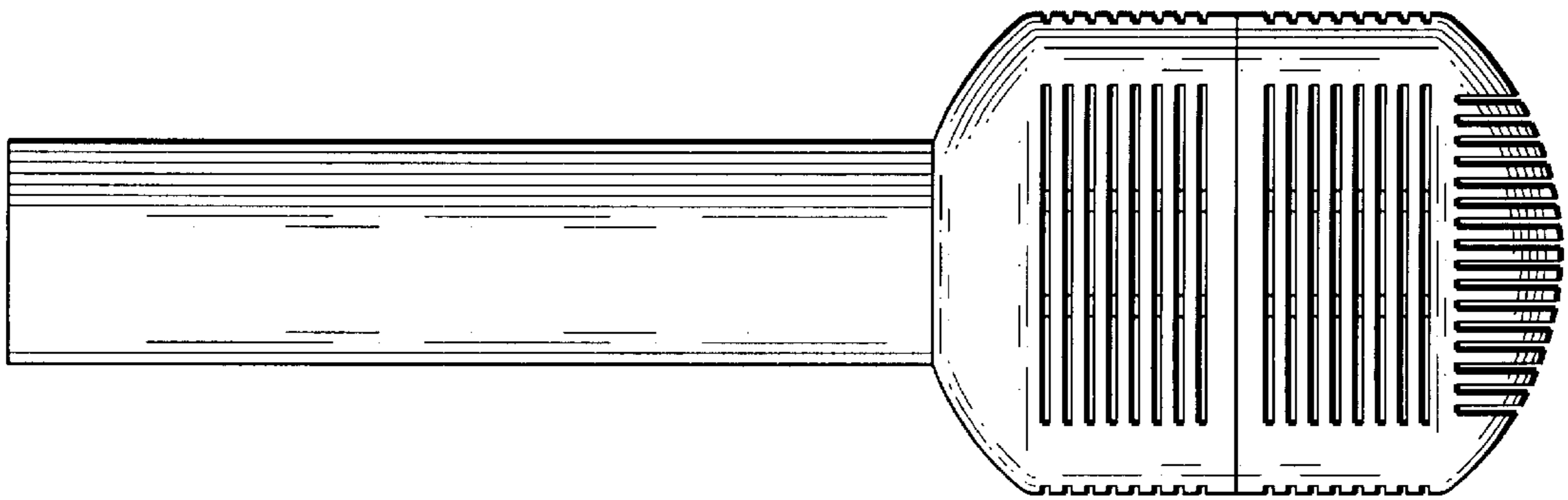
*Fig. 7*



*Fig. 5*



*Fig. 6*



*Fig. 4*