



US00D475757S

(12) **United States Design Patent**
Silverman et al.

(10) **Patent No.:** **US D475,757 S**

(45) **Date of Patent:** **** Jun. 10, 2003**

(54) **SHOULDER EXERCISING APPARATUS**

(75) Inventors: **Marc R. Silverman**, Boulder, CO (US);
Michael F. Mellman, Manhattan Beach,
CA (US); **Brian P. Dunn**, Boulder, CO
(US); **Conrad D. Lackten**, Corona, CA
(US); **Patrick M. Srenar**, Claremont,
CA (US)

(73) Assignee: **Performance Health Technologies,
Inc.**, Boulder, CO (US)

(**) Term: **14 Years**

(21) Appl. No.: **29/165,595**

(22) Filed: **Aug. 12, 2002**

(51) **LOC (7) Cl.** **21-02**

(52) **U.S. Cl.** **D21/673; D21/662; D24/188**

(58) **Field of Search** **D21/662, 673,
D21/675, 676, 684, 686; 482/133, 134,
135, 136, 137, 92; D24/183, 188; 601/33**

(56) **References Cited**

U.S. PATENT DOCUMENTS

D304,058 S * 10/1989 Carlson et al. D21/673
5,080,350 A * 1/1992 Schofield et al. 482/132

5,558,624 A * 9/1996 Hepburn et al. 601/33
5,645,521 A * 7/1997 Hepburn et al. 601/33
6,036,624 A * 3/2000 Cascini 482/97
6,196,956 B1 * 3/2001 Brown 482/137

* cited by examiner

Primary Examiner—Philip S. Hyder
(74) *Attorney, Agent, or Firm*—Michael A. Painter

(57) **CLAIM**

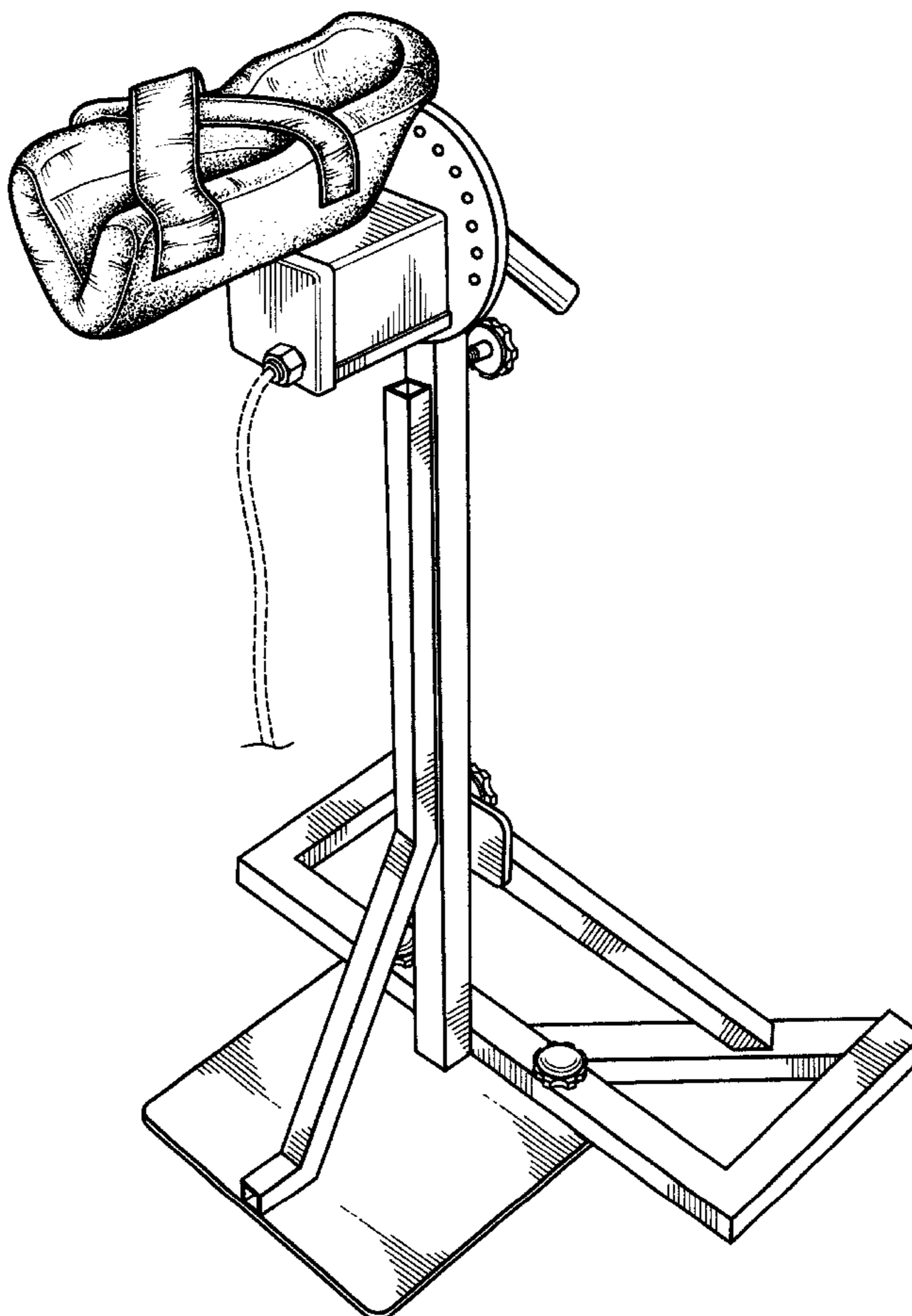
The ornamental design for a shoulder exercising apparatus,
as shown.

DESCRIPTION

FIG. 1 is a front perspective view of a shoulder exercising
apparatus illustrating our new design;
FIG. 2 is a front elevation view thereof;
FIG. 3 is a rear elevation view thereof;
FIG. 4 is a right side elevation view thereof;
FIG. 5 is a left side elevation thereof;
FIG. 6 is a top plan view thereof; and,
FIG. 7 is a bottom plan view thereof.

The broken line showing of a power cord in FIGS. 1–5,
inclusive, is environmental structure only and does not form
part of the claimed invention.

1 Claim, 6 Drawing Sheets



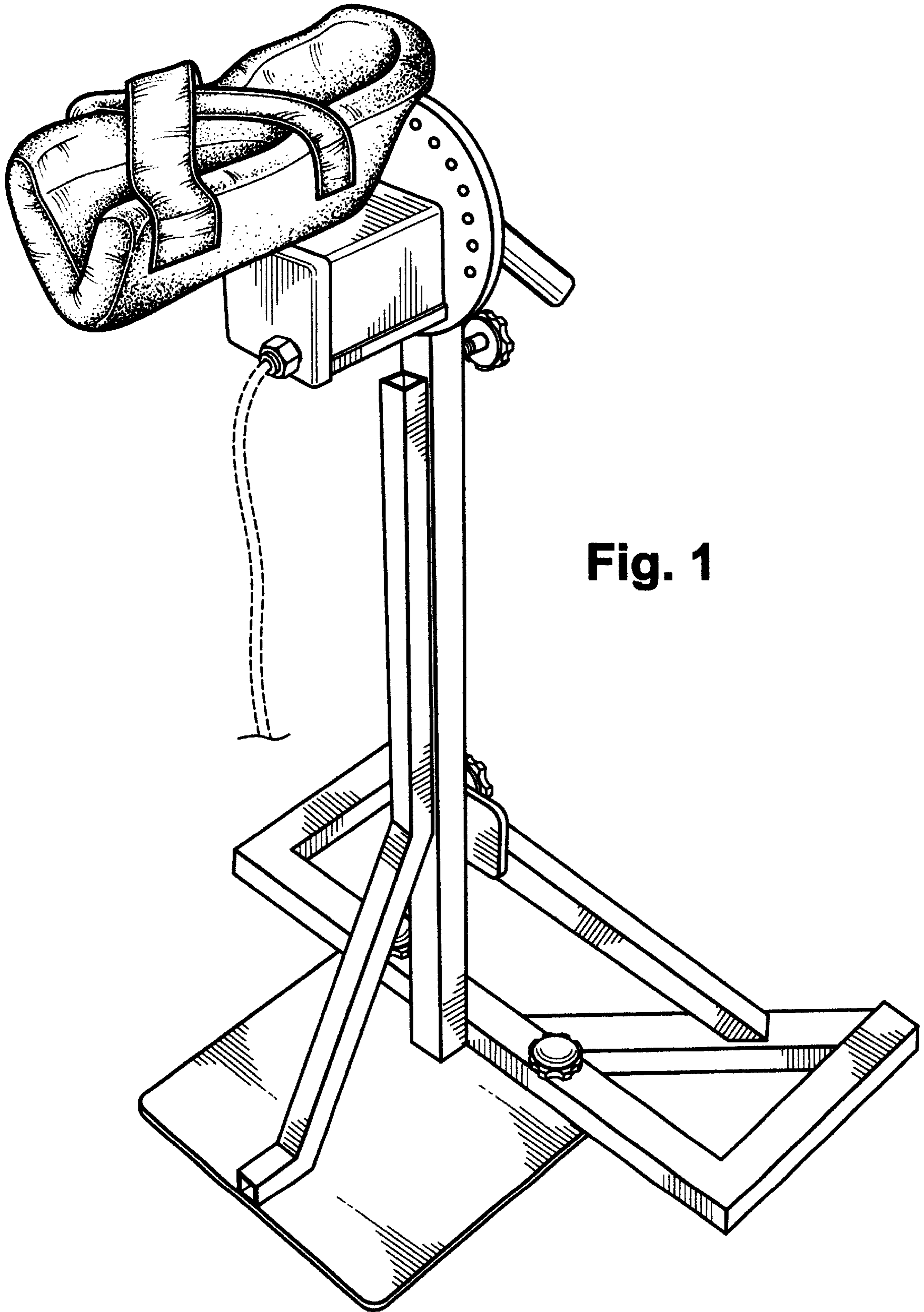


Fig. 1

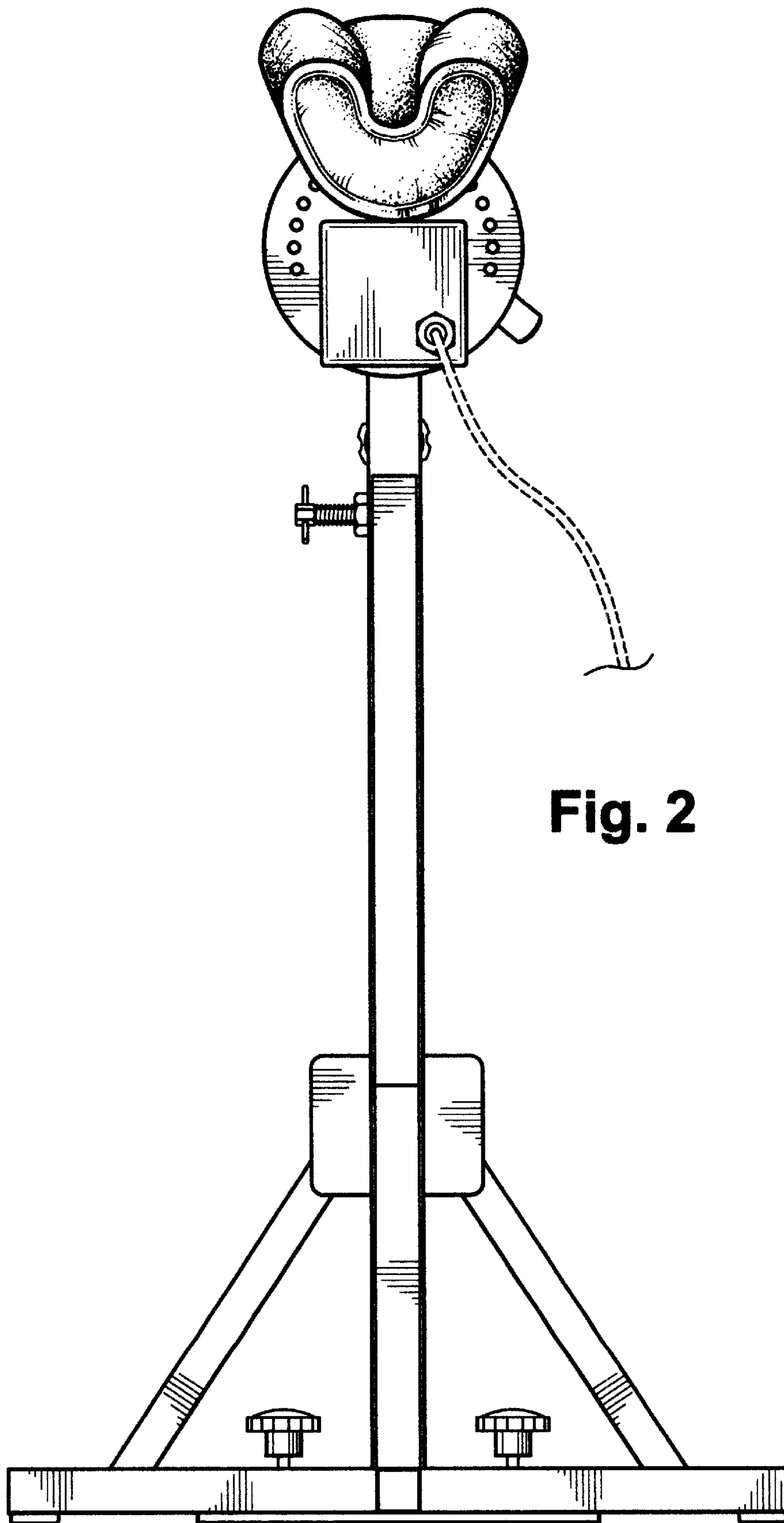


Fig. 2

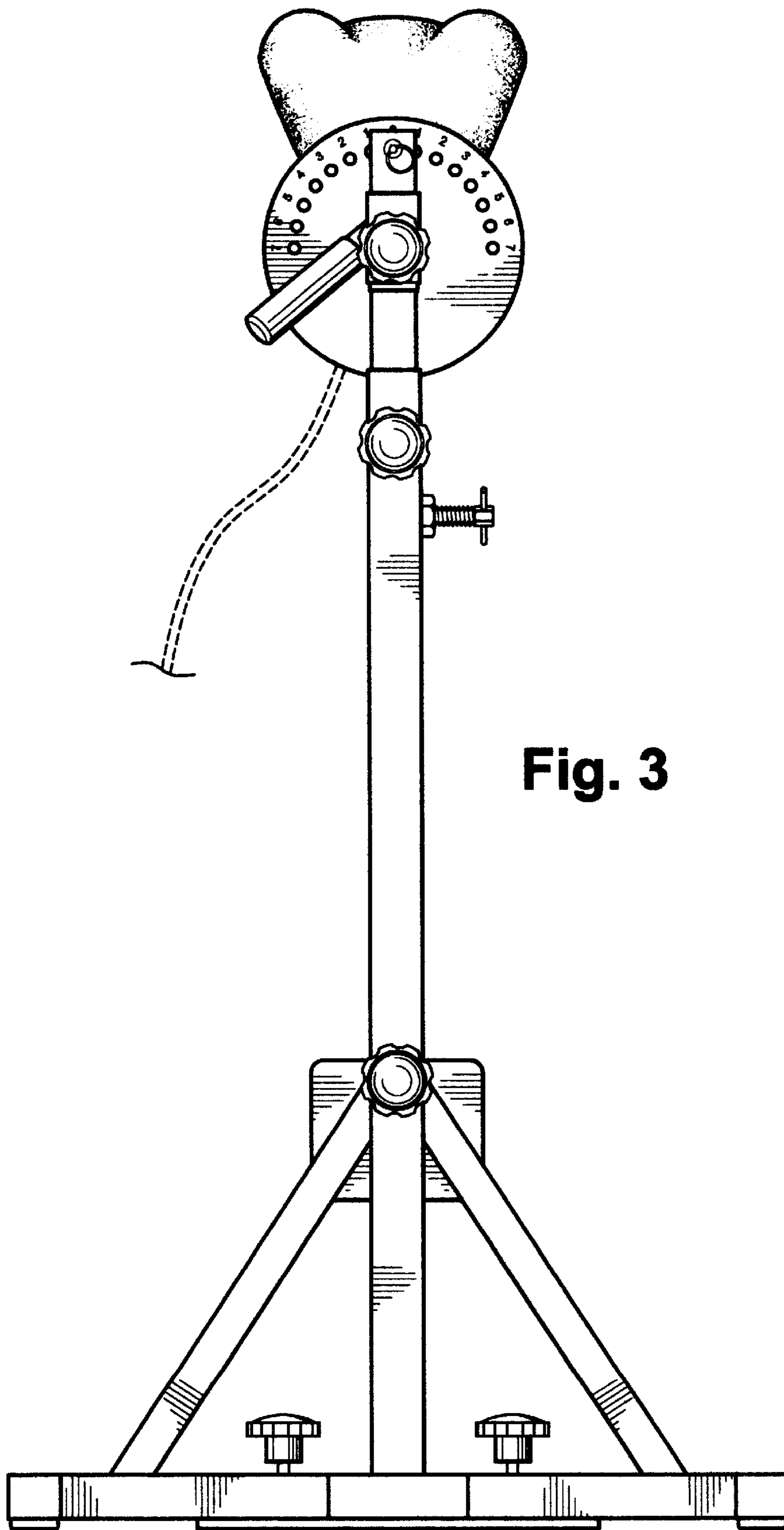


Fig. 3

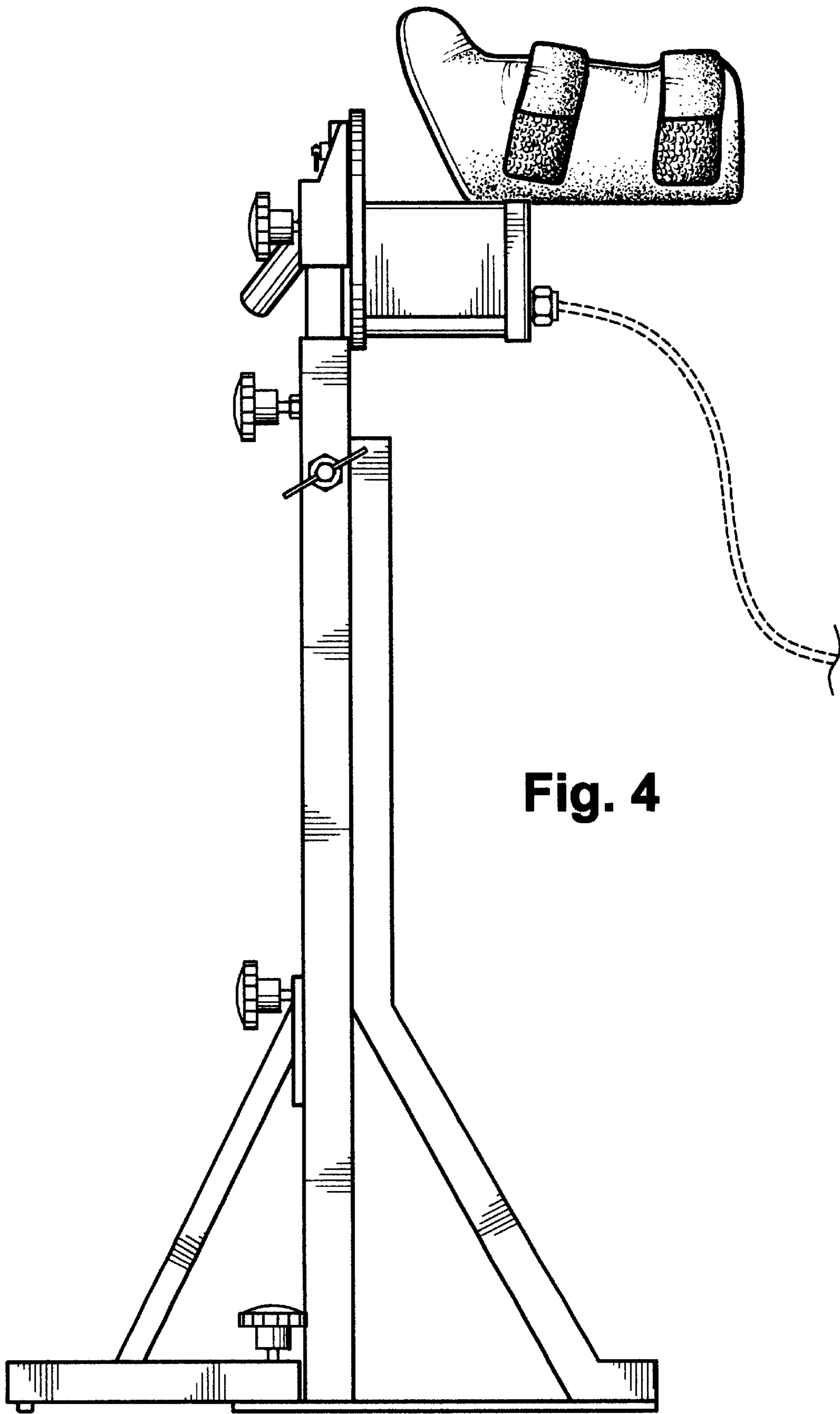


Fig. 4

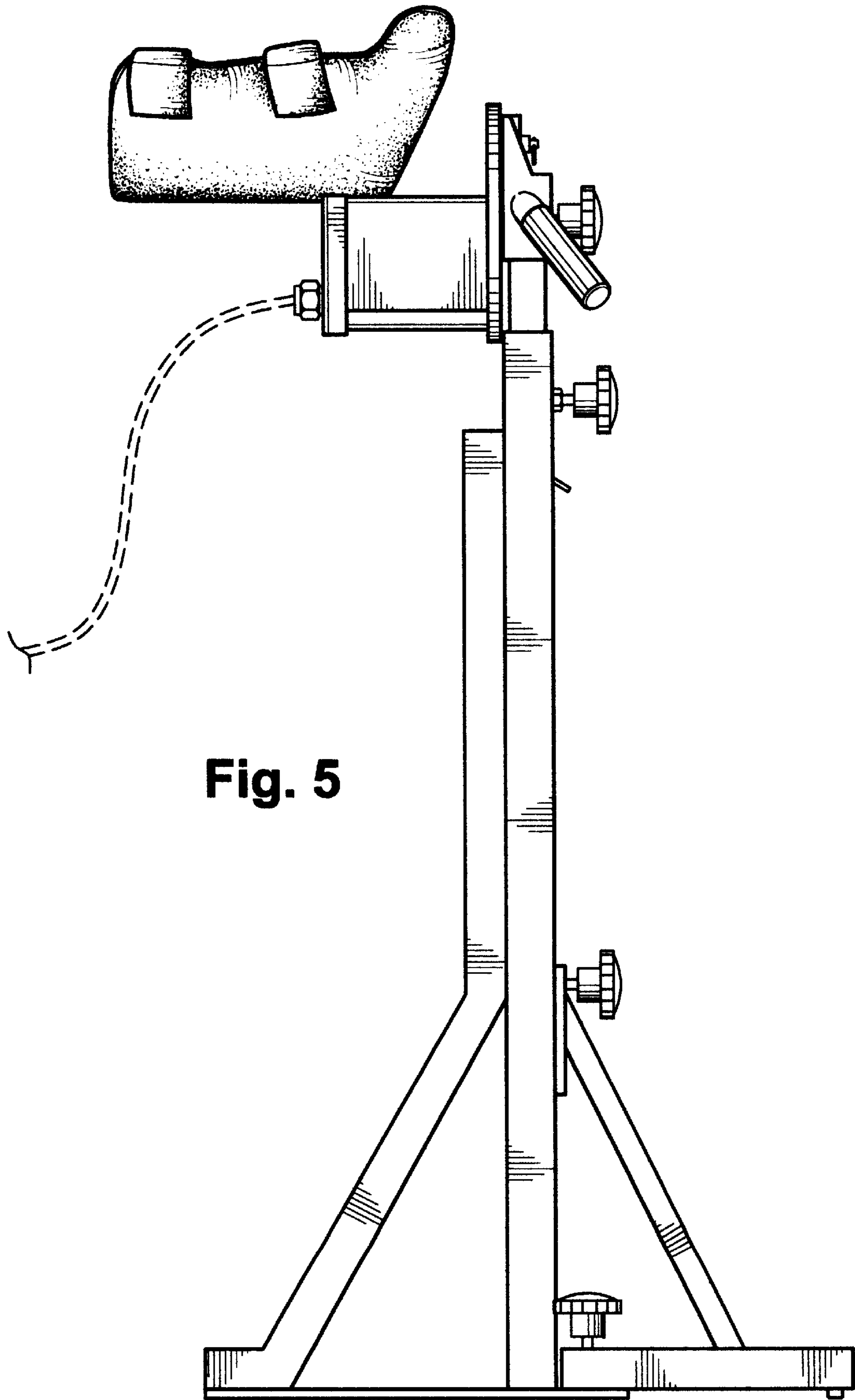


Fig. 5

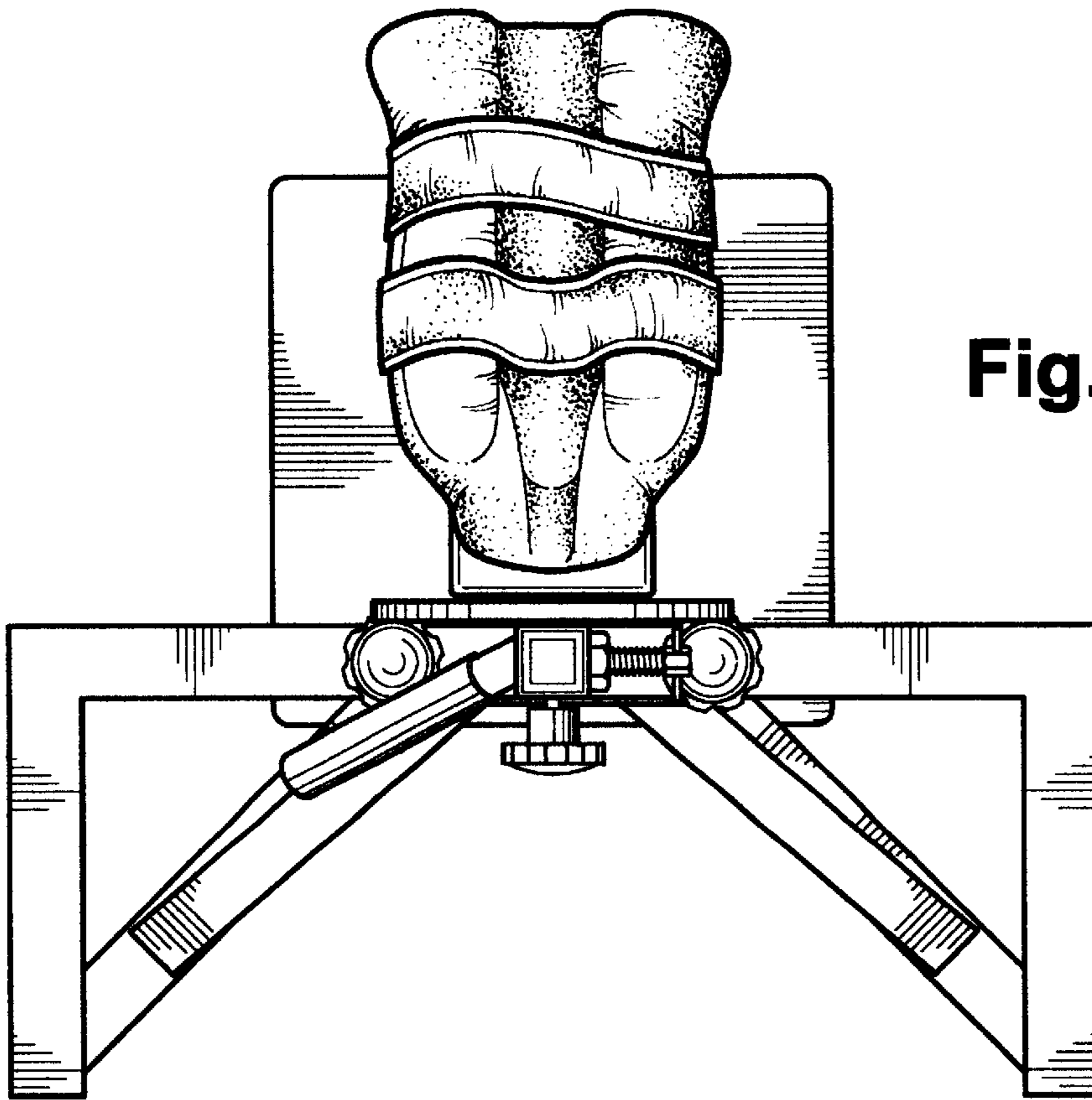


Fig. 6

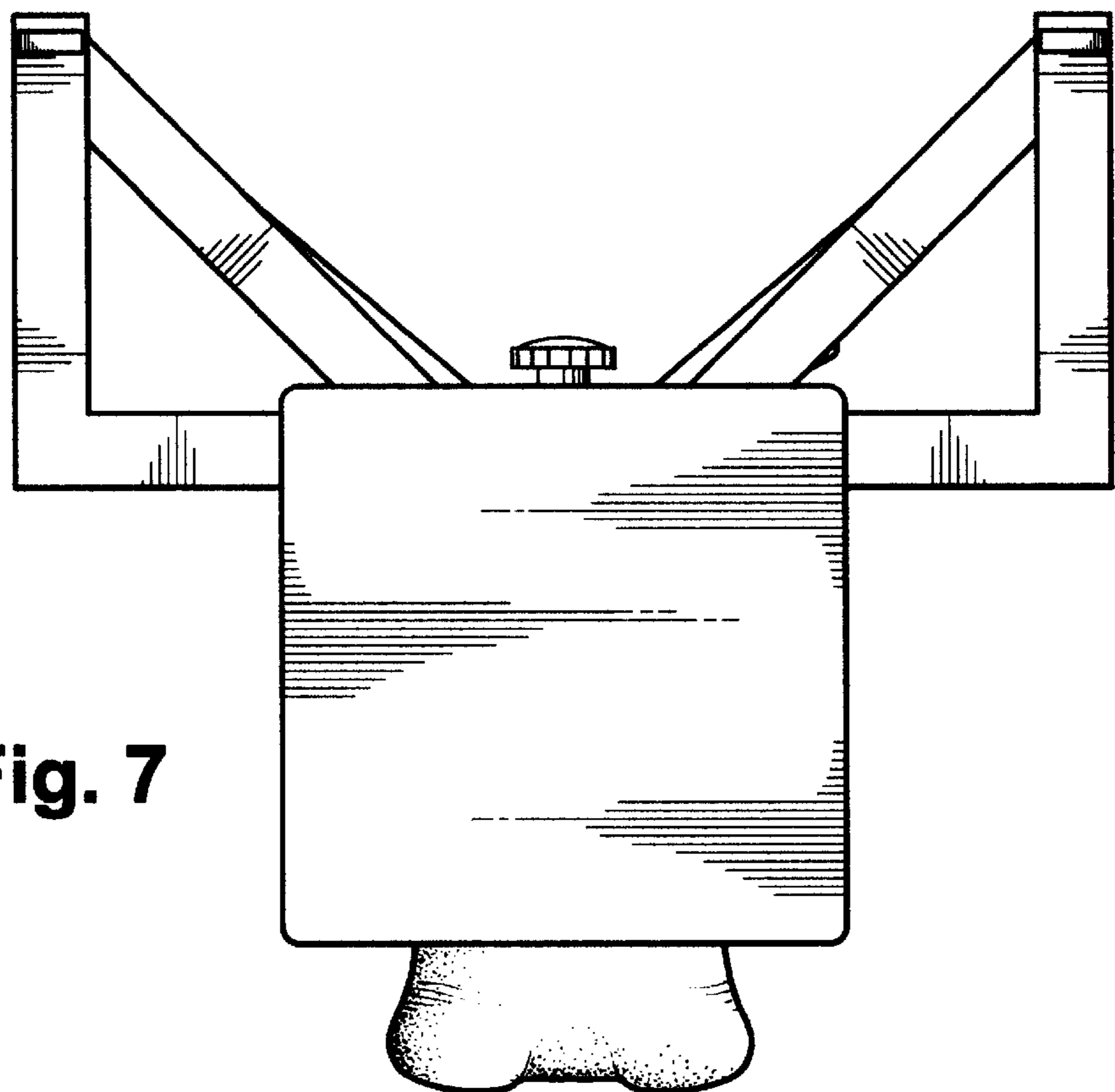


Fig. 7