



US00D475753S

(12) **United States Design Patent**
Valiulis

(10) **Patent No.:** **US D475,753 S**

(45) **Date of Patent:** **** Jun. 10, 2003**

(54) **TOP INSERT LABEL HOLDER**

(75) Inventor: **Stanley C. Valiulis**, Rockford, IL (US)

(73) Assignee: **Southern Imperial, Inc.**, Rockford, IL (US)

(**) Term: **14 Years**

(21) Appl. No.: **29/161,092**

(22) Filed: **May 22, 2002**

Related U.S. Application Data

(63) Continuation-in-part of application No. 09/872,115, filed on Jun. 1, 2001.

(51) **LOC (7) Cl.** **20-02**

(52) **U.S. Cl.** **D20/43**

(58) **Field of Search** D20/10, 40, 42,
D20/43, 44, 99; D25/119, 121, 122, 124;
40/124.01, 584, 642.01, 649, 653, 654.01,
661; 52/522

(56) **References Cited**

U.S. PATENT DOCUMENTS

3,912,084	A	10/1975	Valiulis	
4,850,557	A	7/1989	Valiulis	
D305,911	S	* 2/1990	Burlando D20/44
5,231,779	A	8/1993	Valiulis	
5,236,163	A	8/1993	Valiulis	
D362,455	S	* 9/1995	Bowers D18/18
5,582,376	A	* 12/1996	Thompson 248/214
D447,518	S	* 9/2001	Lau D20/43

OTHER PUBLICATIONS

Southern Imperial, Inc., 1999 Catalog, 3 pages.

* cited by examiner

Primary Examiner—Robert M. Spear

(74) *Attorney, Agent, or Firm*—Leydig, Voit & Mayer, Ltd.

(57) **CLAIM**

I claim the ornamental design for a top insert label holder, as shown and described.

DESCRIPTION

FIG. 1 is a perspective view of a label holder, taken from the front and right of the label holder;

FIG. 2 is a perspective view of the top insert label holder shown in FIG. 1, taken from the rear and left of the label holder;

FIG. 3 is a perspective view of the label holder shown in FIG. 1, taken from the front and left of the label holder;

FIG. 4 is a perspective view of the label holder shown in FIG. 1, taken from the rear and right of the label holder;

FIG. 5 is a top view of the label holder shown in FIG. 1;

FIG. 6 is a rear view of the label holder shown in FIG. 1;

FIG. 7 is a bottom view of the label holder shown in FIG. 1;

FIG. 8 is a side view of the label holder shown in FIG. 1, taken from the right;

FIG. 9 is a side view of the label holder shown in FIG. 1, taken from the left;

FIG. 10 is a perspective view of an alternate embodiment of the top insert label holder shown in FIGS. 1–9, taken from the front and right of the label holder;

FIG. 11 is a perspective view of the label holder shown in FIG. 10, taken from the rear and left of the label holder;

FIG. 12 is a perspective view of the label holder shown in FIG. 10, taken from the front and left of the label holder;

FIG. 13 is a perspective view of the label holder shown in FIG. 10, taken from the rear and right of the label holder;

FIG. 14 is a top view of the label holder shown in FIG. 10;

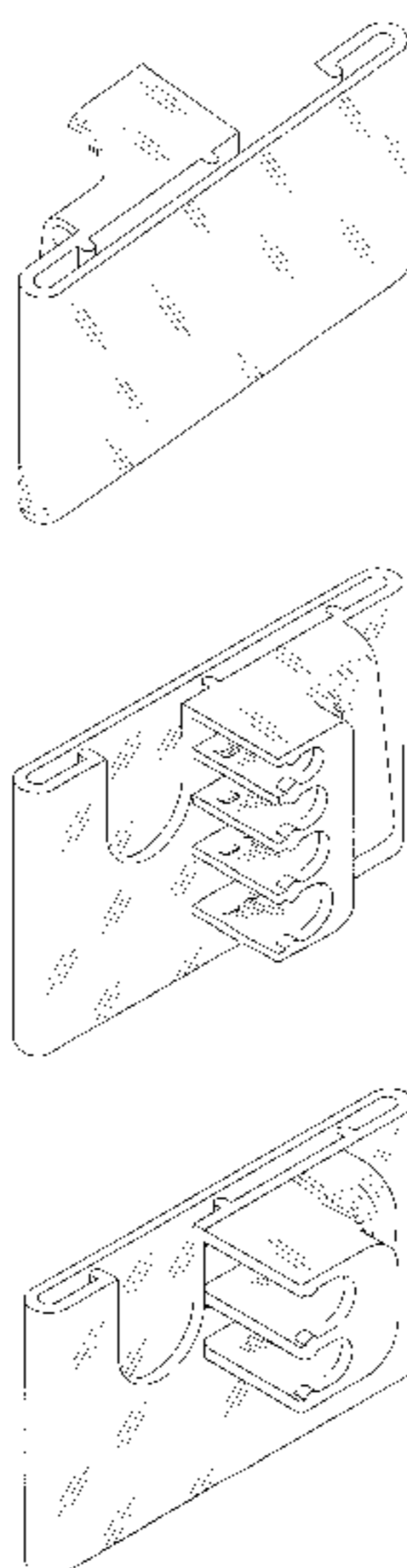
FIG. 15 is a rear view of the label holder shown in FIG. 10;

FIG. 16 is a bottom view of the label holder shown in FIG. 10;

FIG. 17 is a side view of the label holder shown in FIG. 10, taken from the right; and,

FIG. 18 is a side view of the label holder shown in FIG. 10, taken from the left.

1 Claim, 8 Drawing Sheets



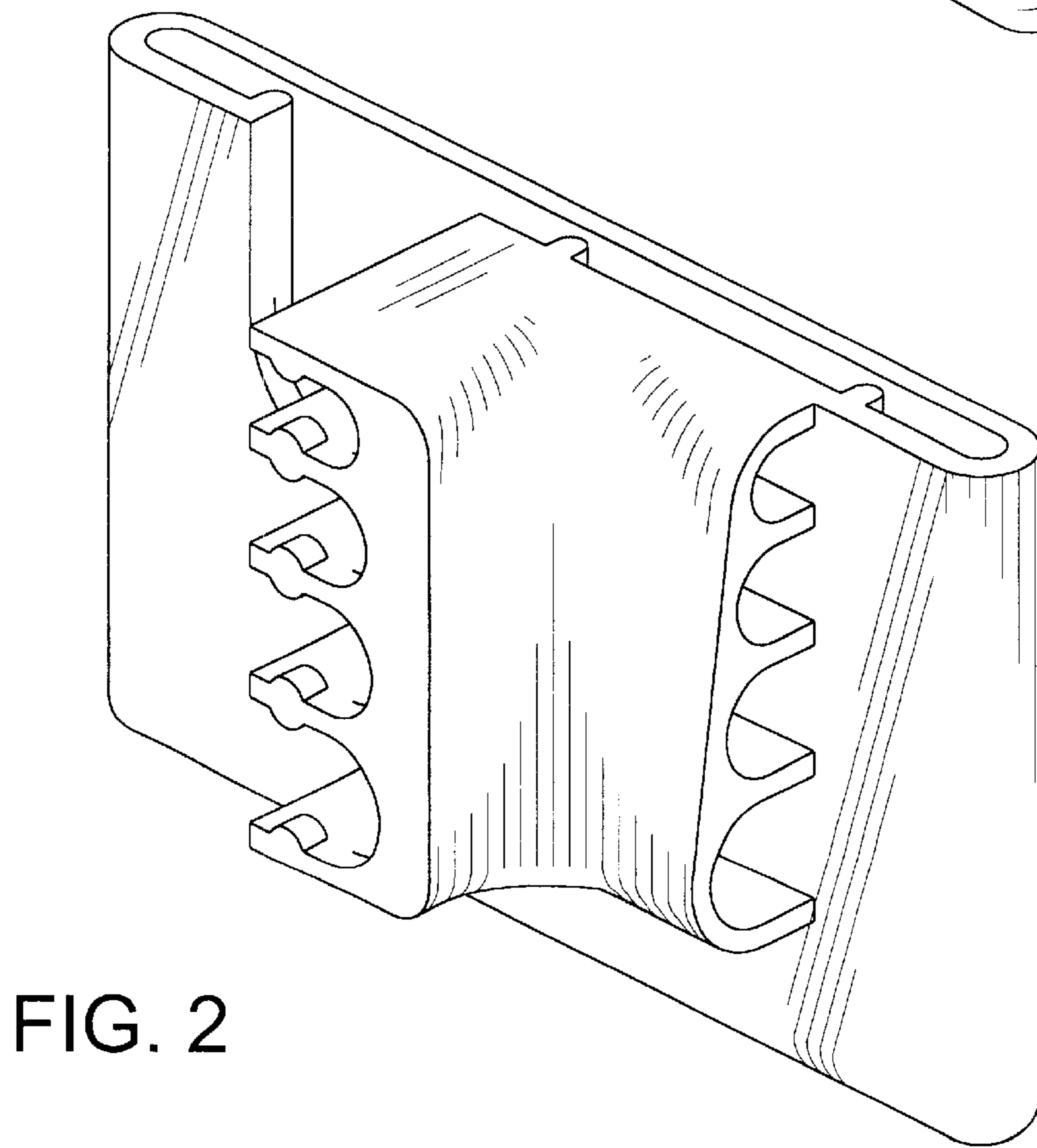
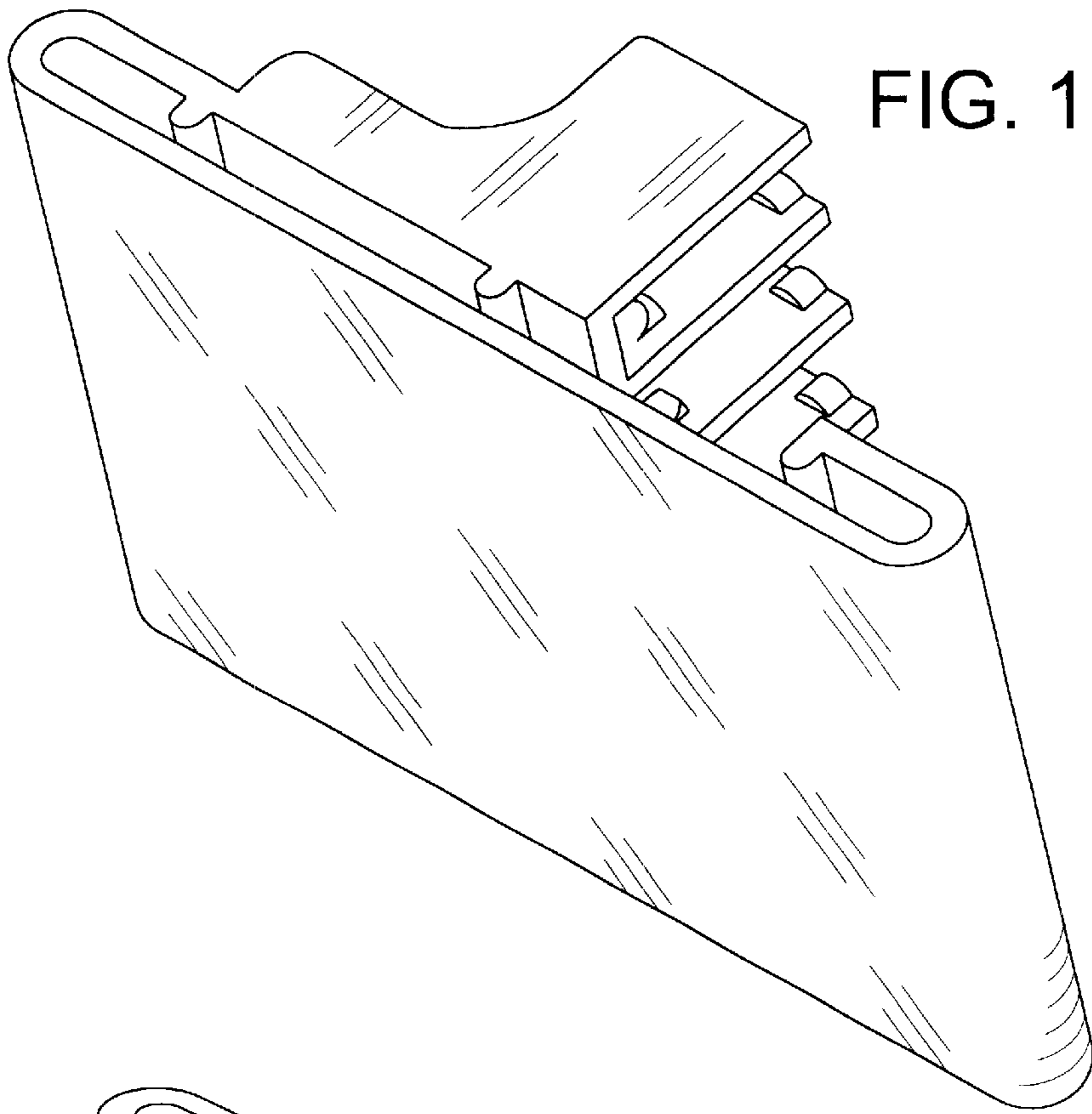


FIG. 3

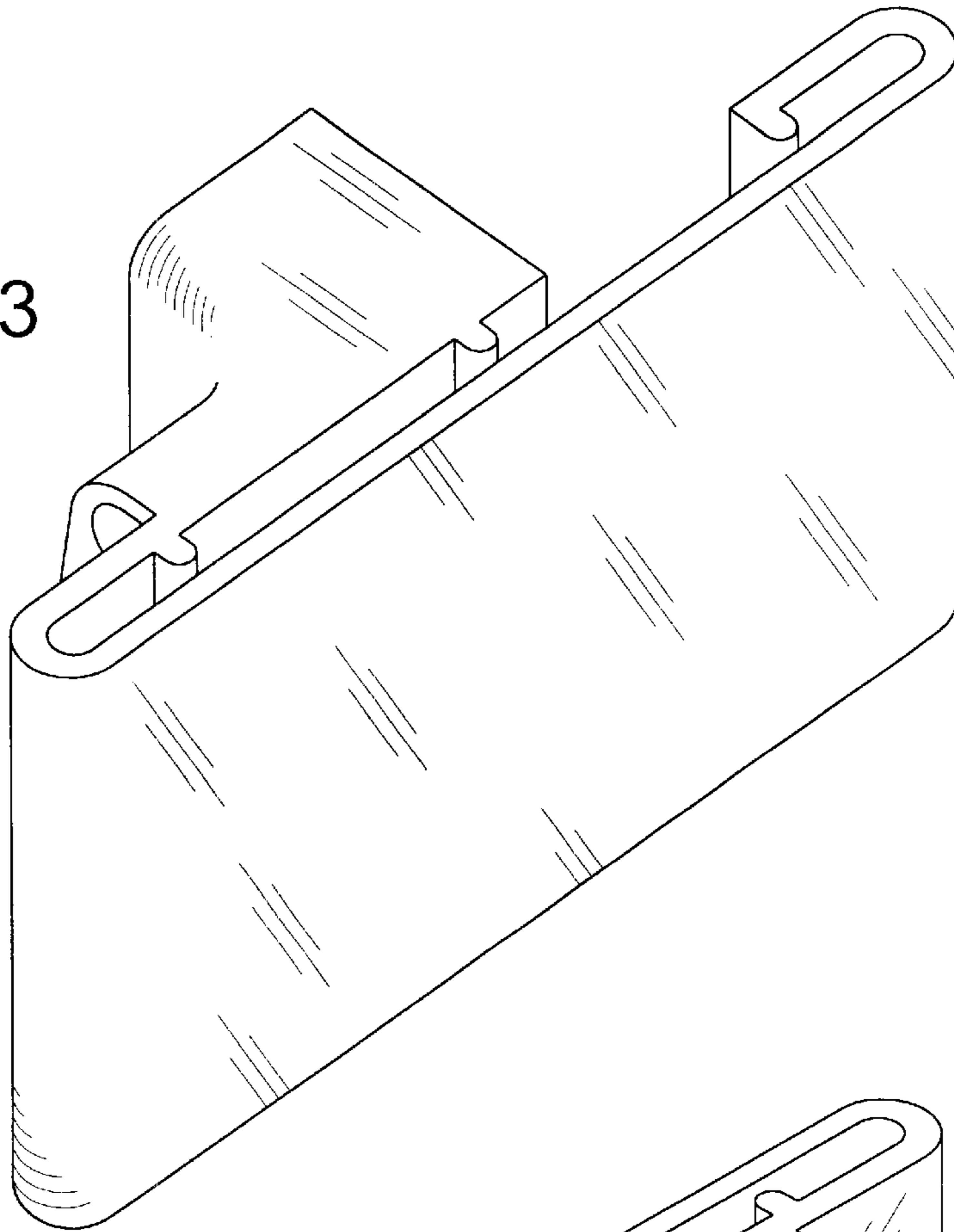


FIG. 4

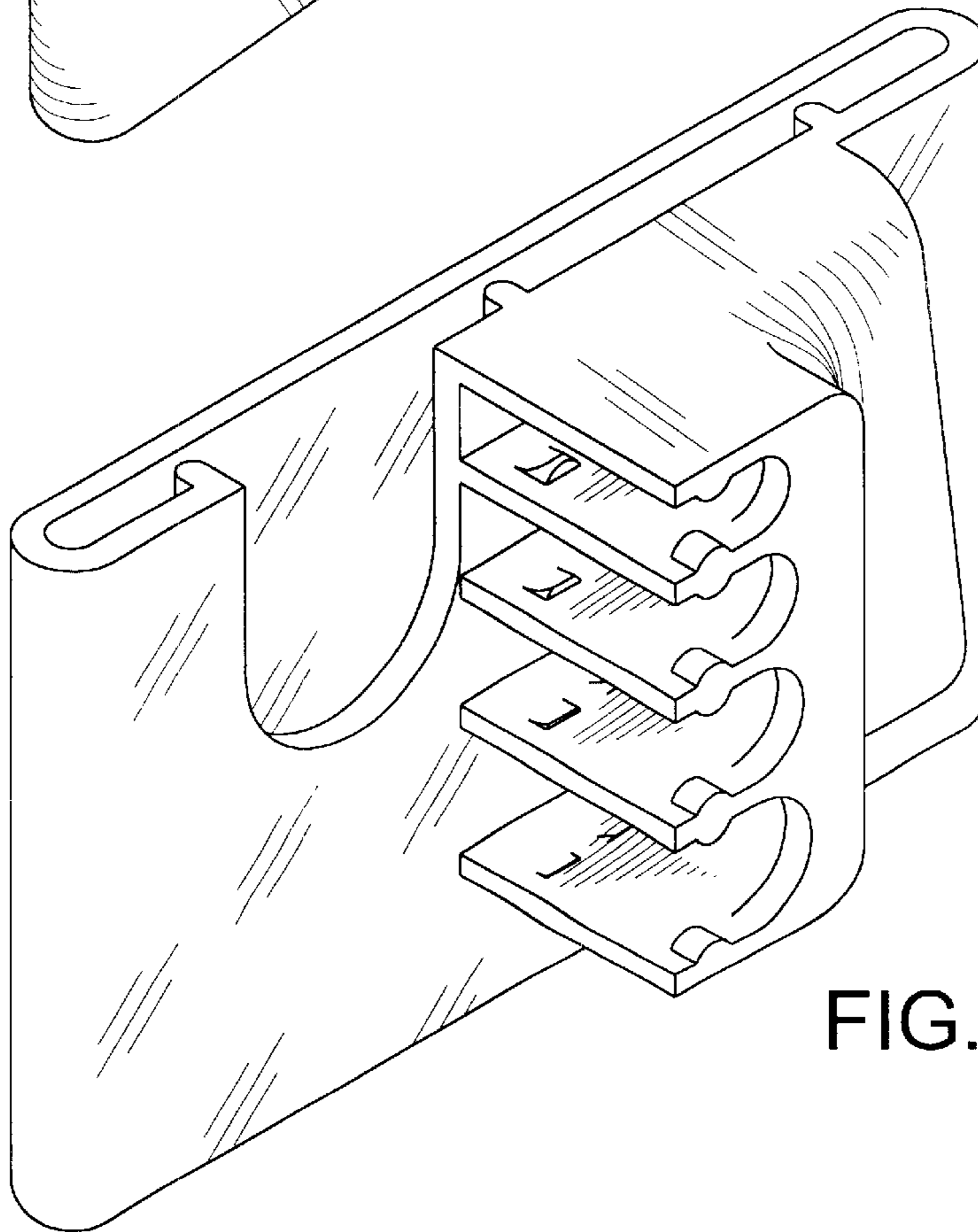


FIG. 5

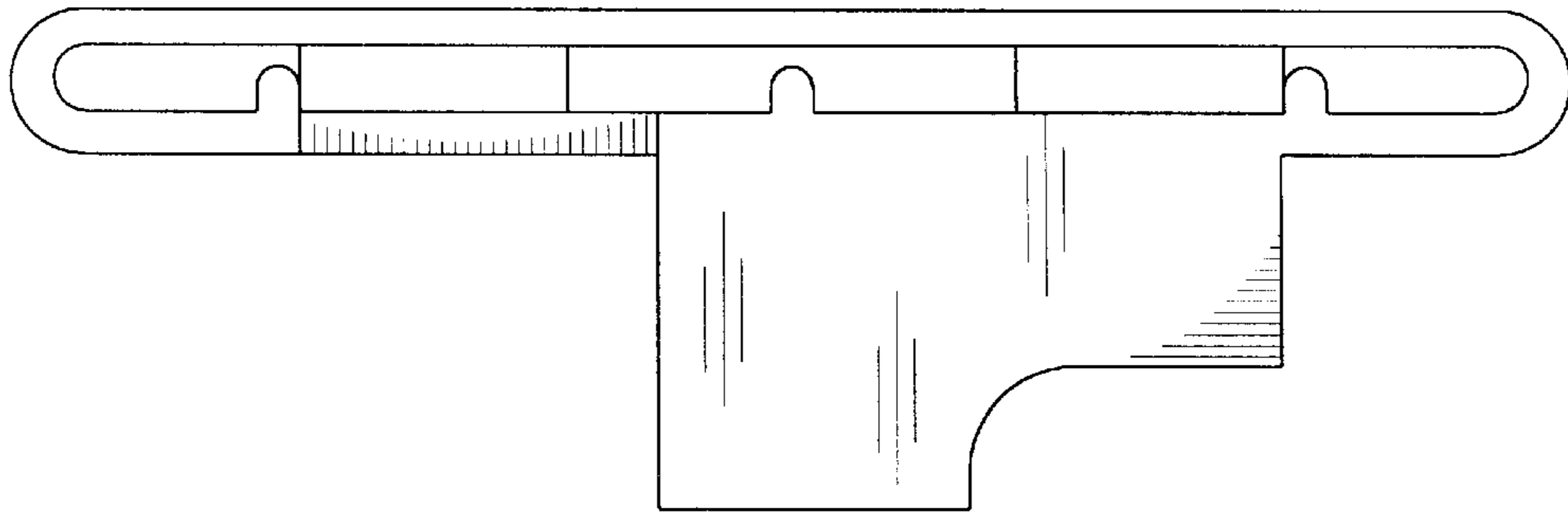


FIG. 6

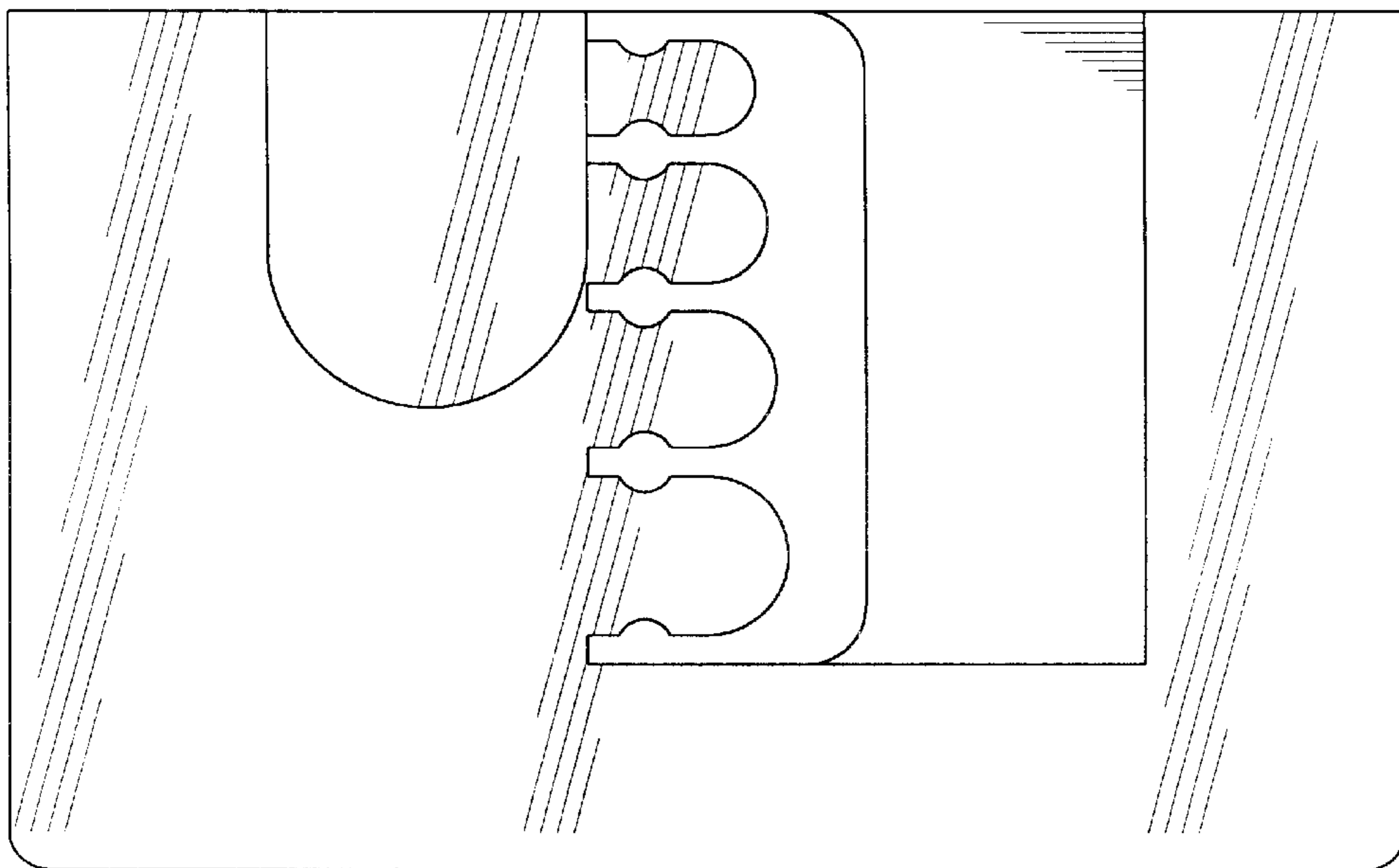
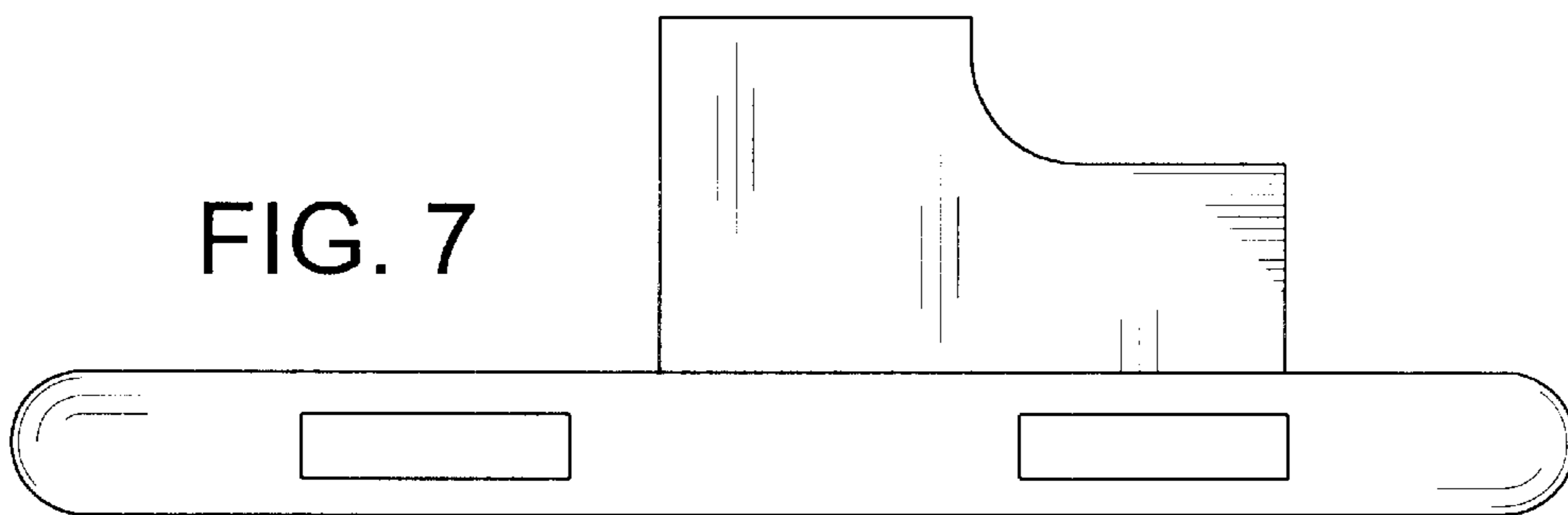


FIG. 7



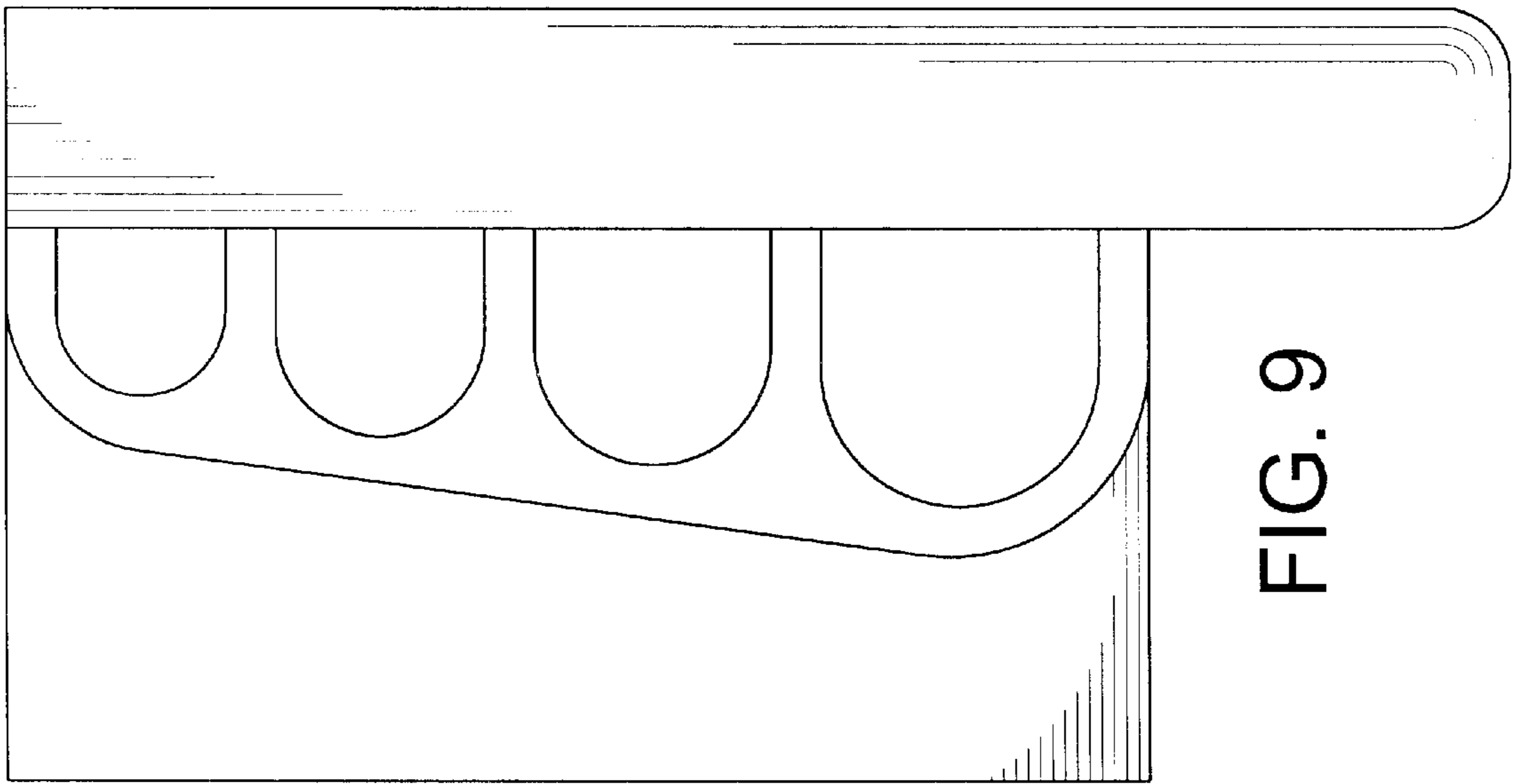


FIG. 9

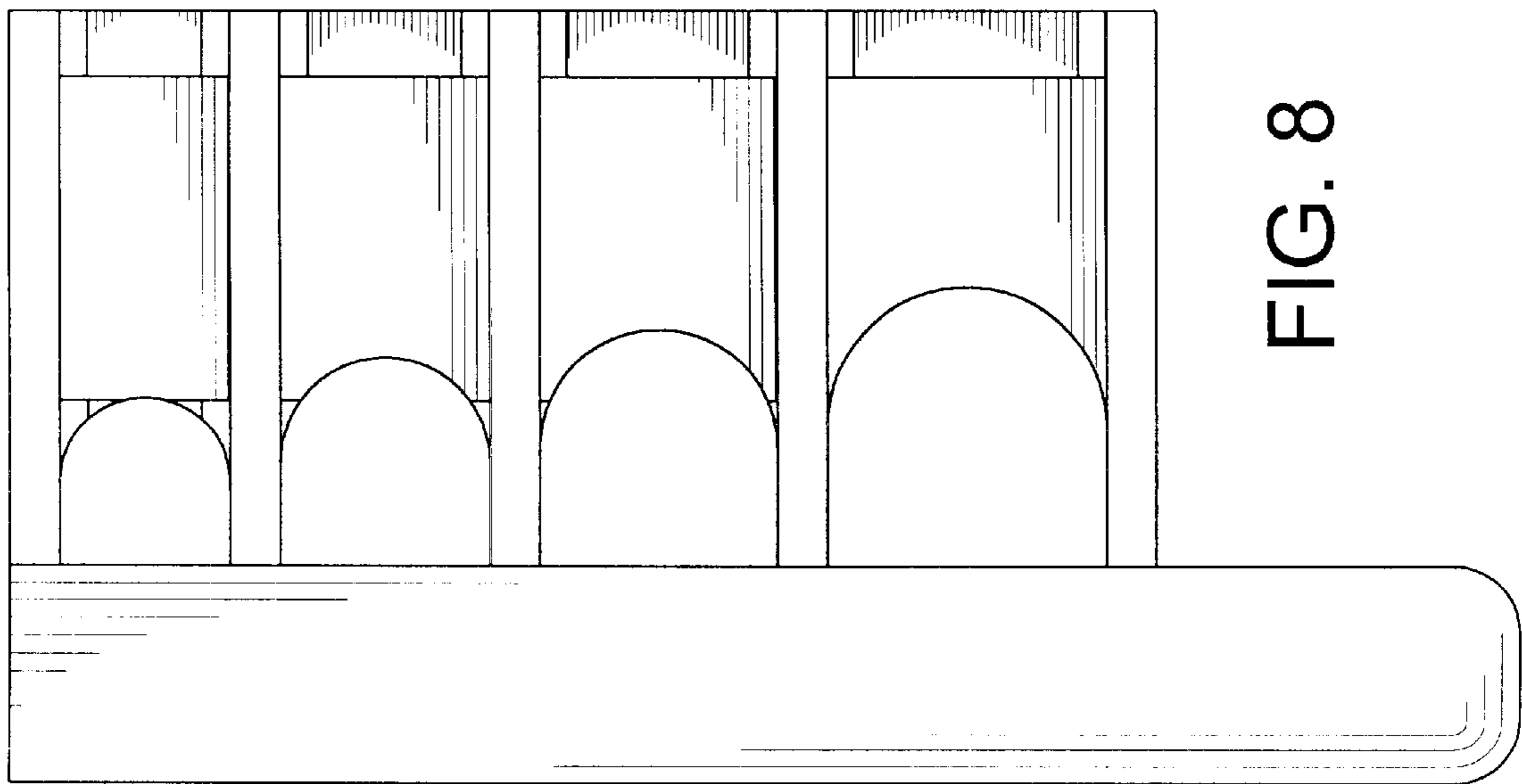


FIG. 8

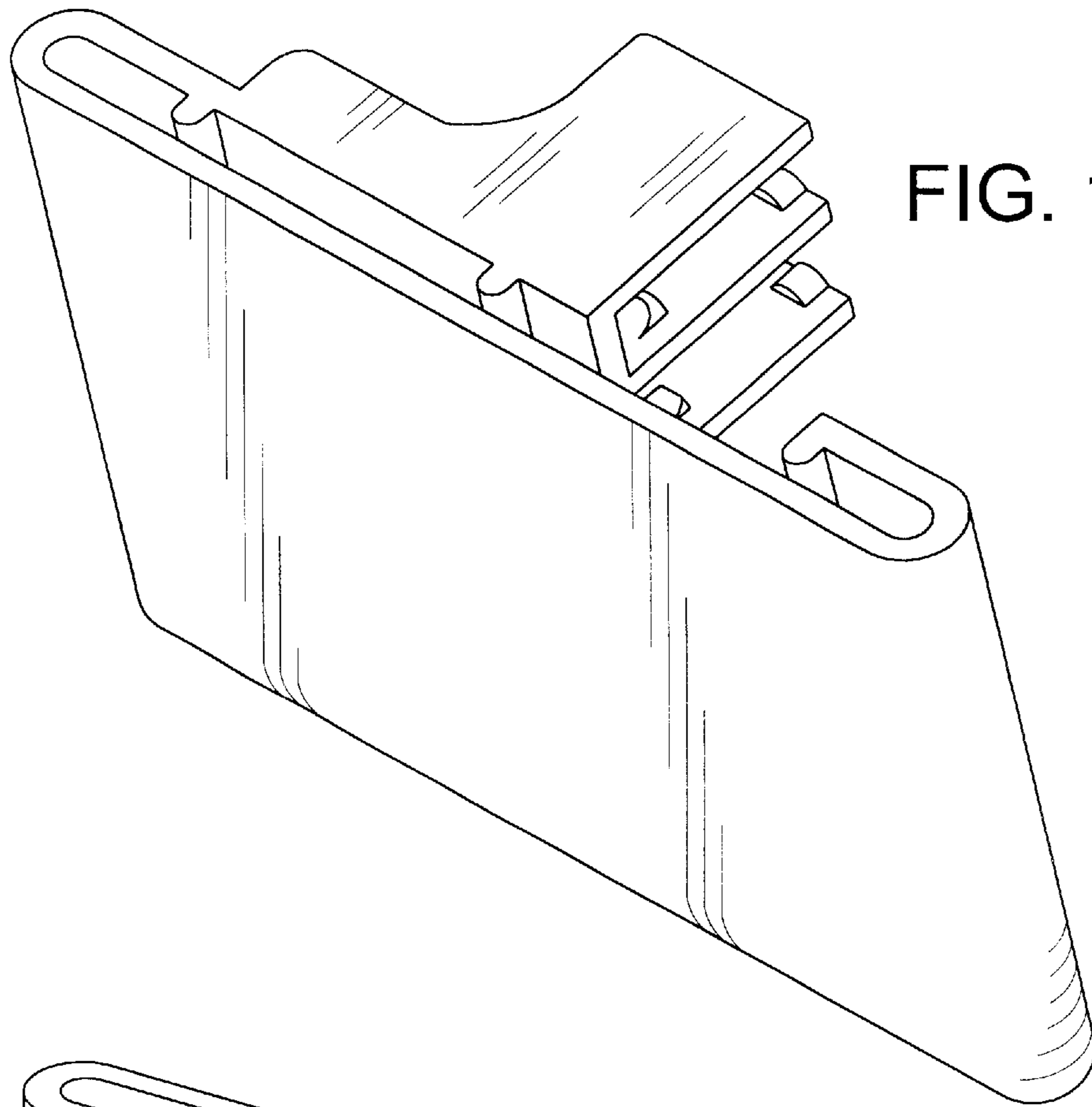


FIG. 10

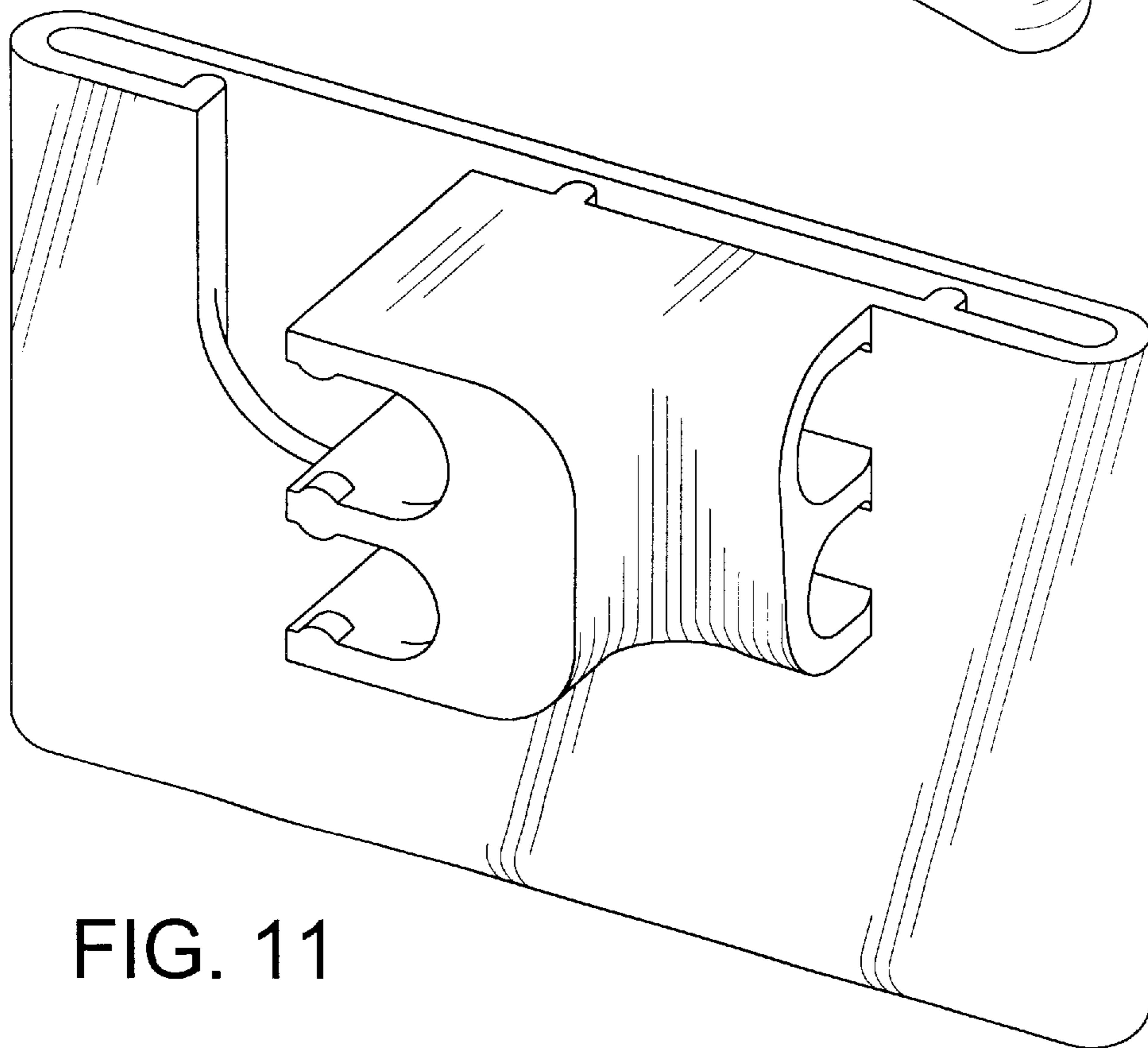


FIG. 11

FIG. 12

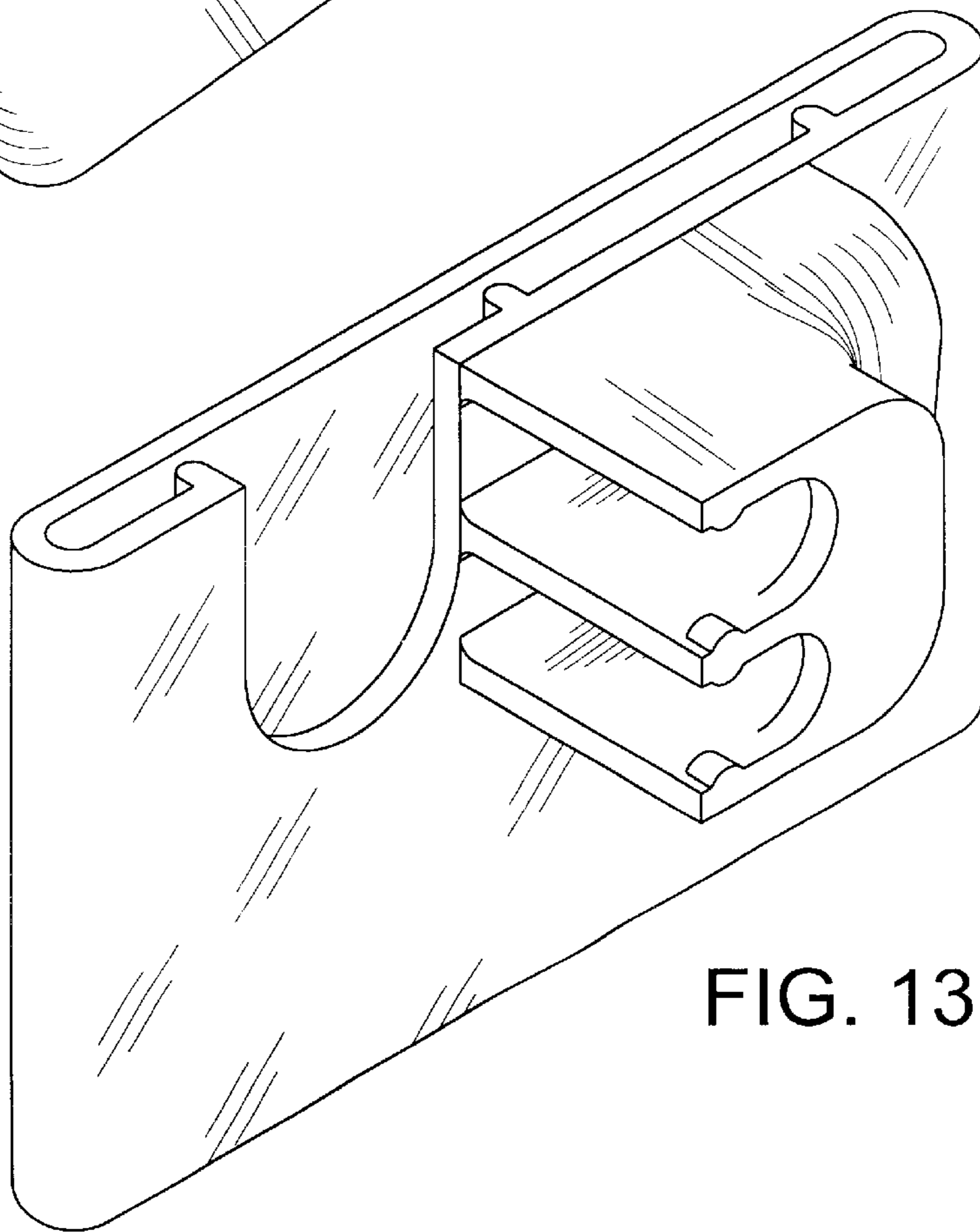
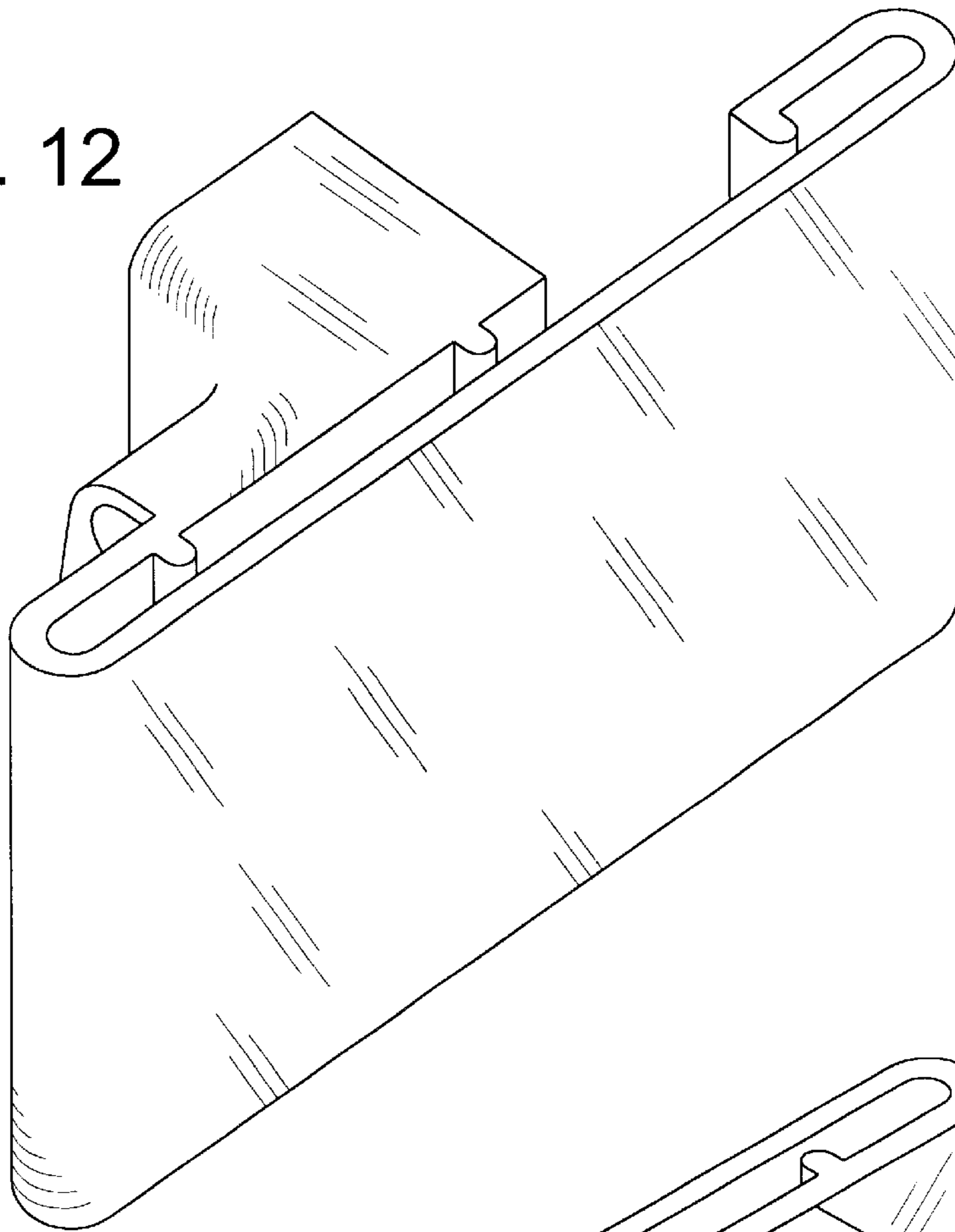


FIG. 13

FIG. 14

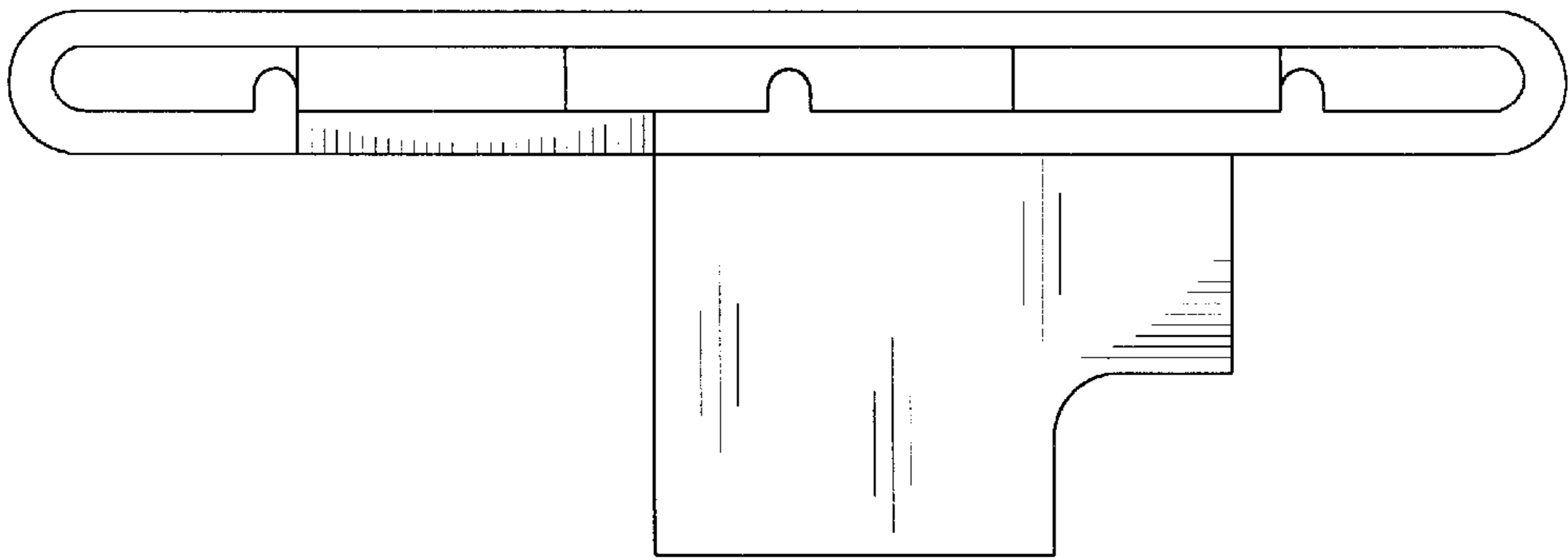


FIG. 15

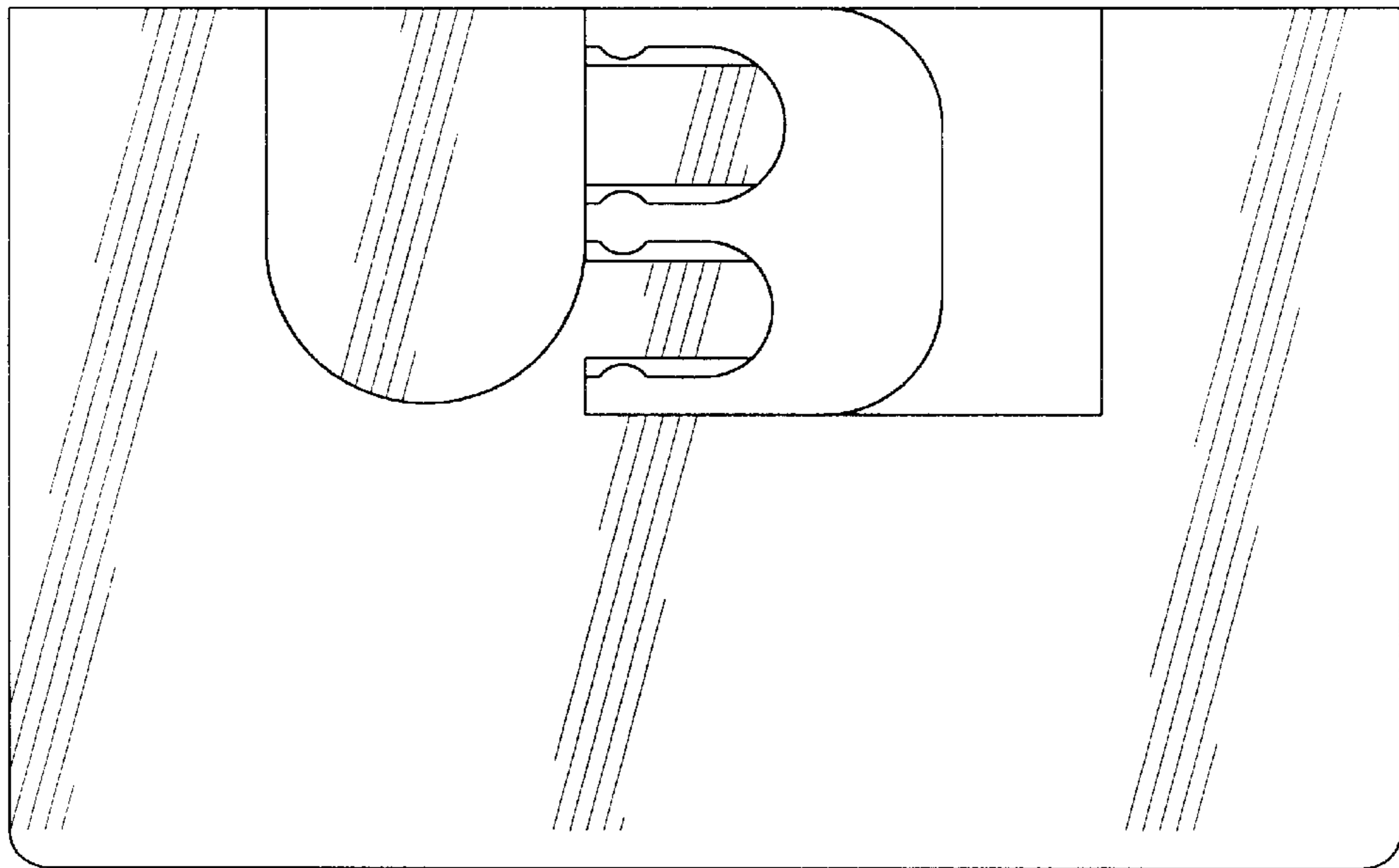
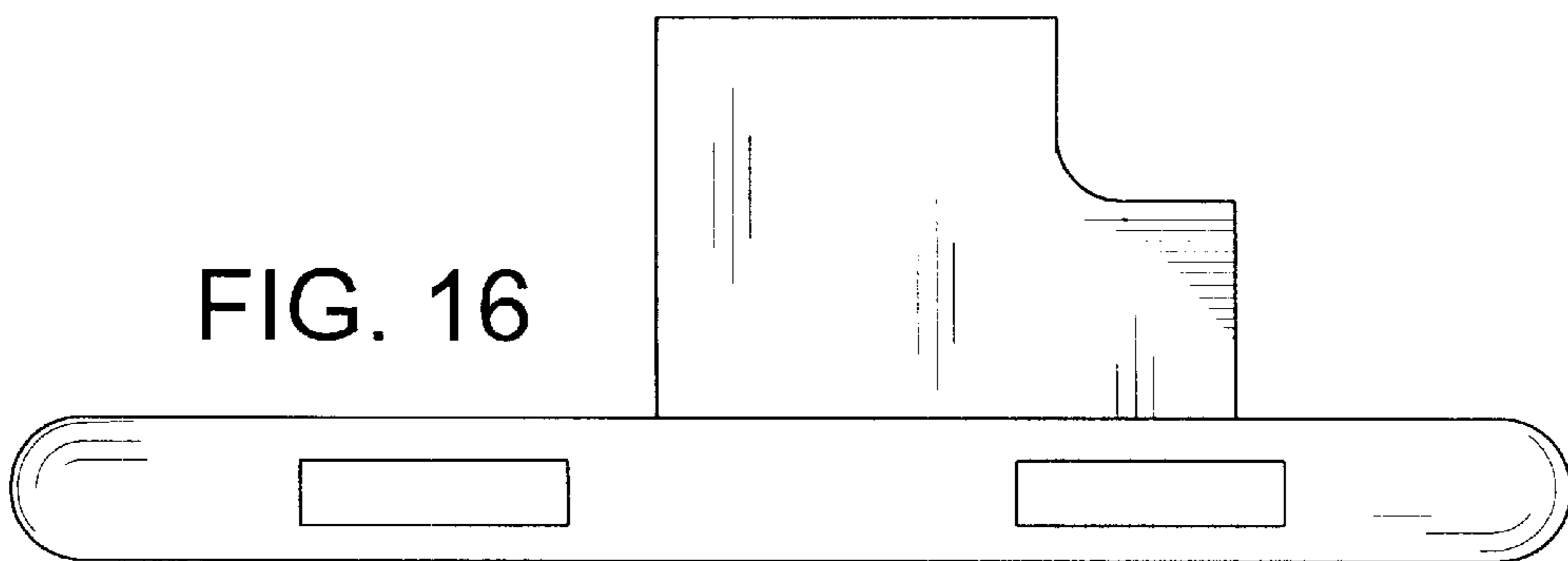


FIG. 16



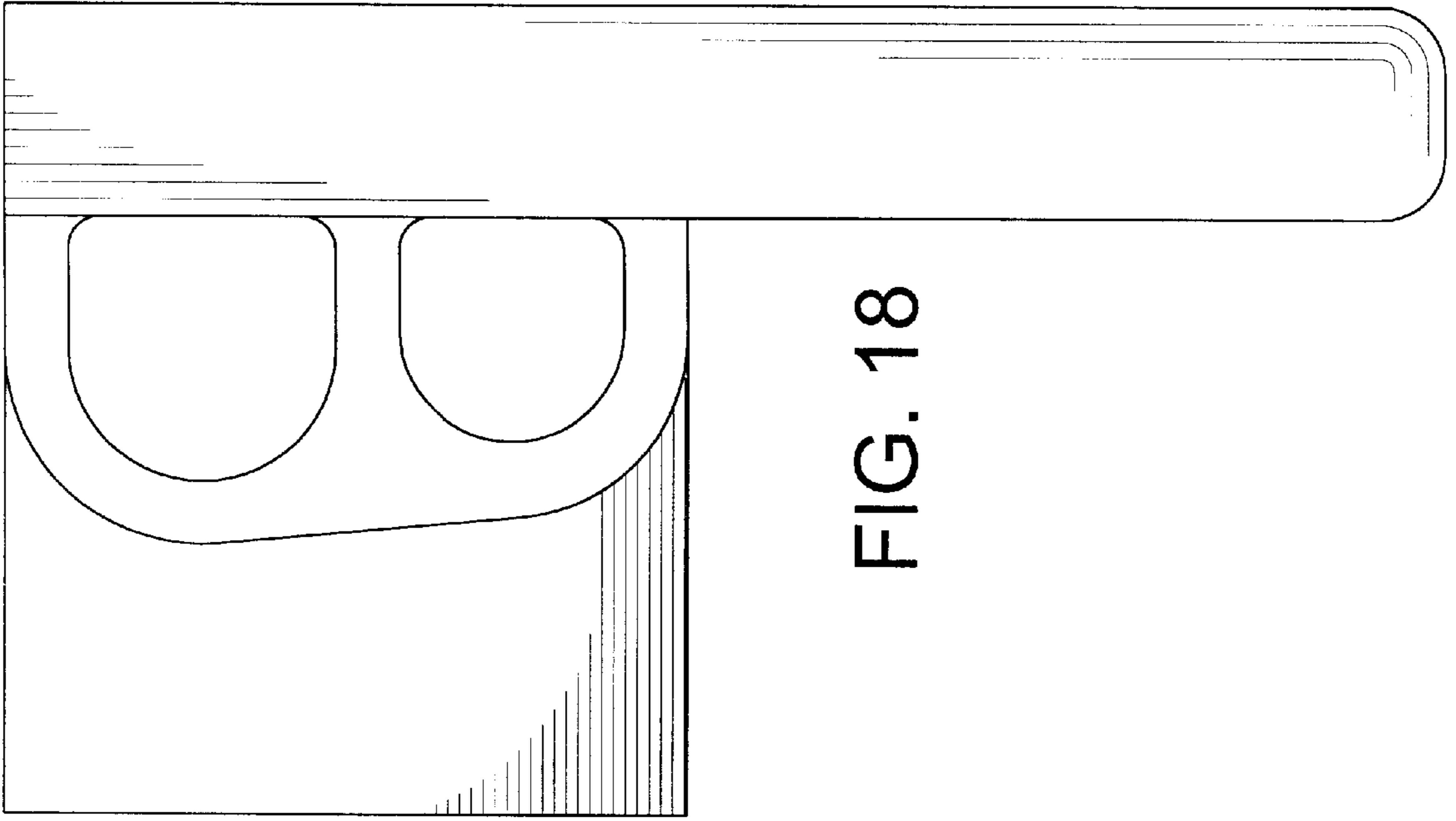


FIG. 18

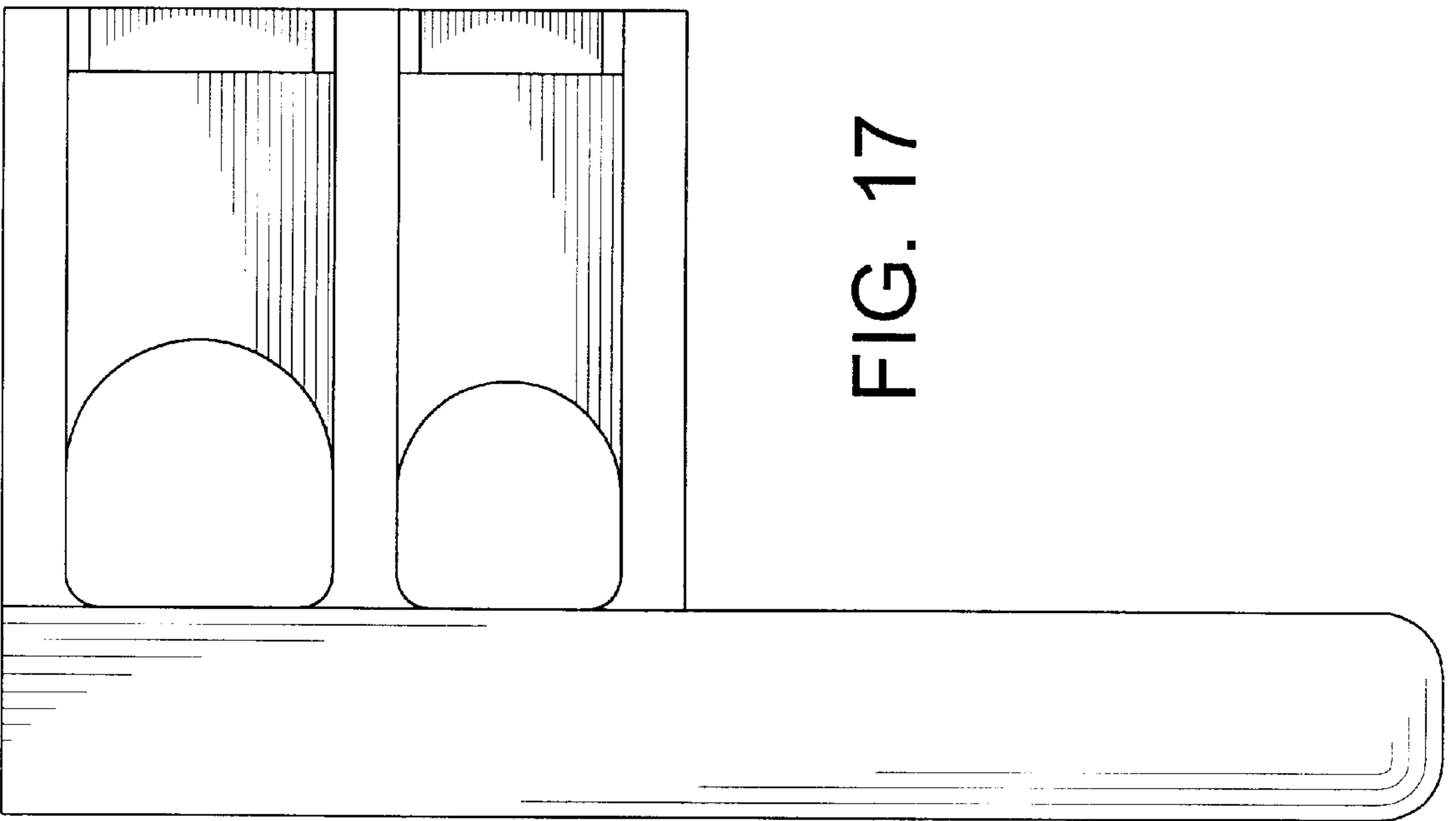


FIG. 17