



US00D475741S

(12) **United States Design Patent**
Cetera

(10) **Patent No.:** **US D475,741 S**

(45) **Date of Patent:** **** Jun. 10, 2003**

(54) **PEN**

(75) **Inventor:** **Carl Cetera**, Tenafly, NJ (US)

(73) **Assignee:** **Cotapaxi, Inc.**, Englewood, NJ (US)

(**) **Term:** **14 Years**

(21) **Appl. No.:** **29/165,188**

(22) **Filed:** **Aug. 5, 2002**

(51) **LOC (7) Cl.** **19-06**

(52) **U.S. Cl.** **D19/51; D19/56**

(58) **Field of Search** D19/35, 36, 41-51,
D19/53-58, 81-85; 401/6, 7, 88, 99, 100,
101, 103-106, 107-110, 111-117, 209

(56) **References Cited**

U.S. PATENT DOCUMENTS

D319,845 S	*	9/1991	Grotsch et al.	D19/48
D338,915 S	*	8/1993	Willat	D19/51
D345,577 S	*	3/1994	Hohner	D19/48
5,988,909 A	*	11/1999	Luke, Jr. et al.	401/6
D424,110 S	*	5/2000	Hu	D19/51
D443,896 S	*	6/2001	Briggl et al.	D19/49

D448,805 S	*	10/2001	Willat et al.	D19/55
D454,589 S	*	3/2002	Pellissa Beneyto	D19/48
D456,845 S	*	5/2002	Rommel	D19/49
D470,530 S	*	2/2003	Moon	D19/55

* cited by examiner

Primary Examiner—Martie K. Holtje

(74) *Attorney, Agent, or Firm*—Andrew S. Naglestad; Mark D. Nielsen; The Soni Law Firm

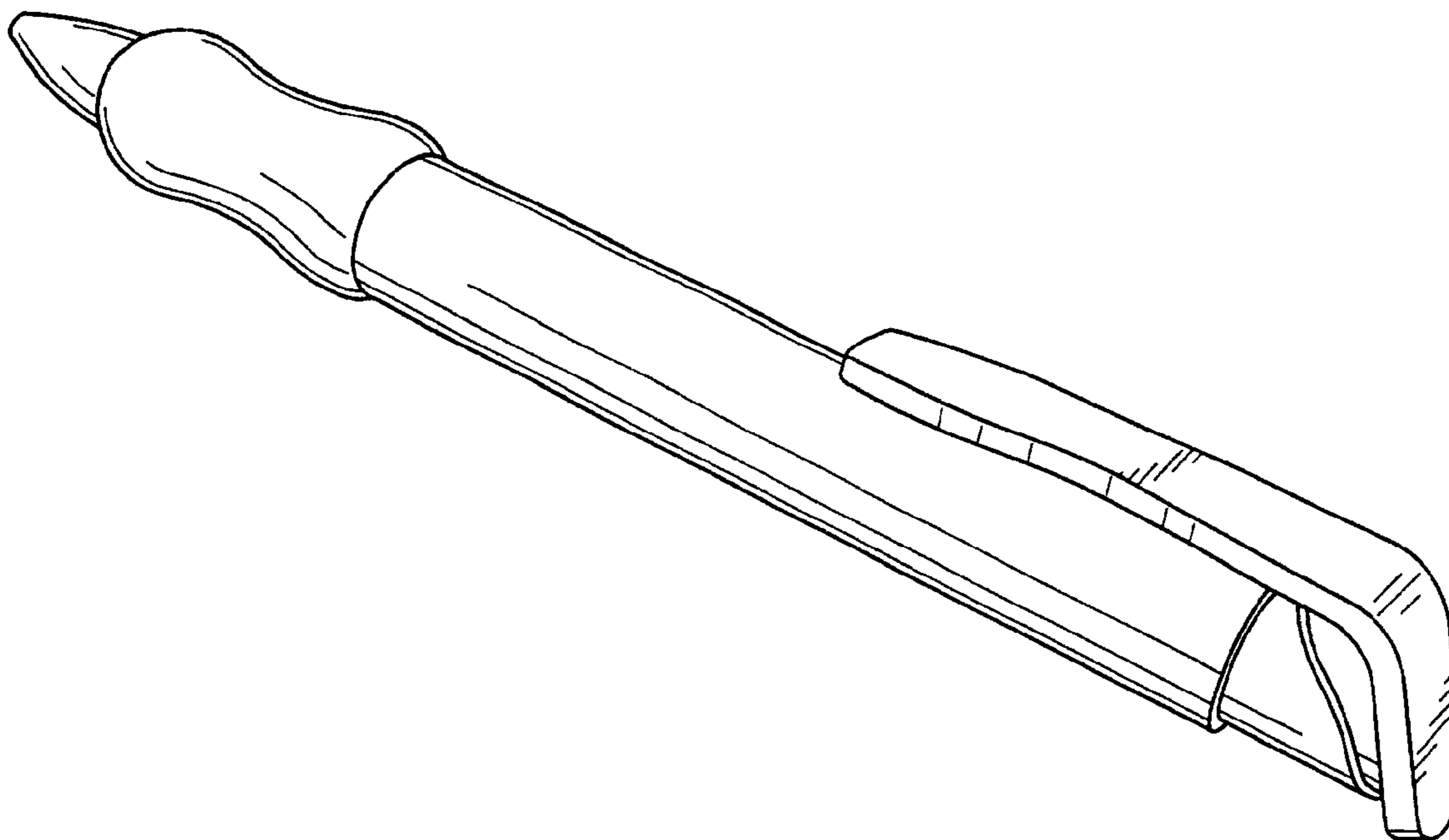
(57) **CLAIM**

The ornamental design for a pen, as shown and described.

DESCRIPTION

FIG. 1 is a perspective view of a pen;
 FIG. 2 is a front elevational view of the pen of FIG. 1;
 FIG. 3 is a rear elevational view of the pen of FIG. 1;
 FIG. 4 is a right side elevational view of the pen of FIG. 1;
 FIG. 5 is a top plan view of the pen of FIG. 1; and,
 FIG. 6 is a bottom plan view of the pen of FIG. 1.
 The left side elevational view of the pen shown in FIG. 1 is opposite from and a mirror image of the right side elevational view of FIG. 4.

1 Claim, 1 Drawing Sheet



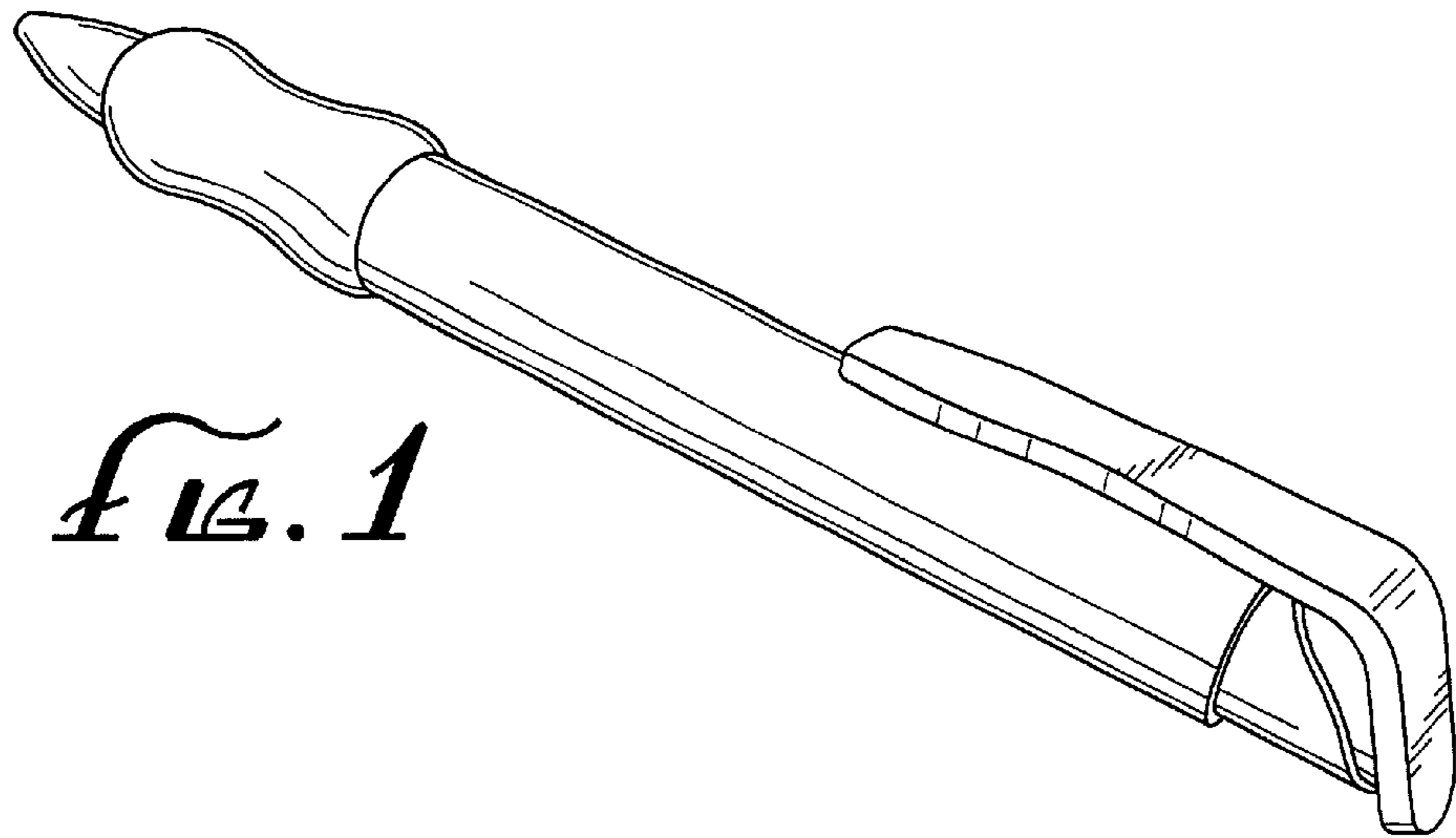


FIG. 1

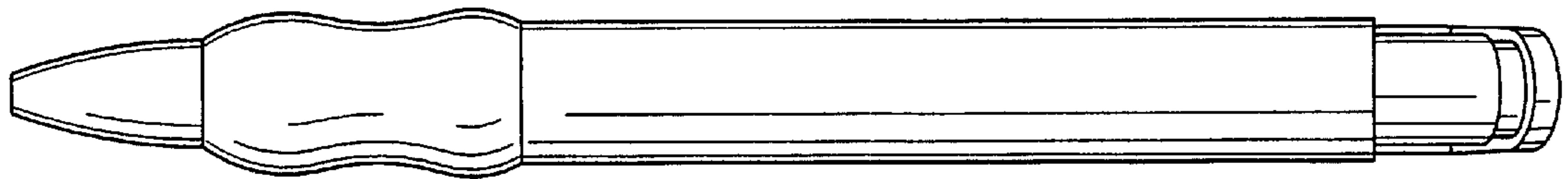


FIG. 2

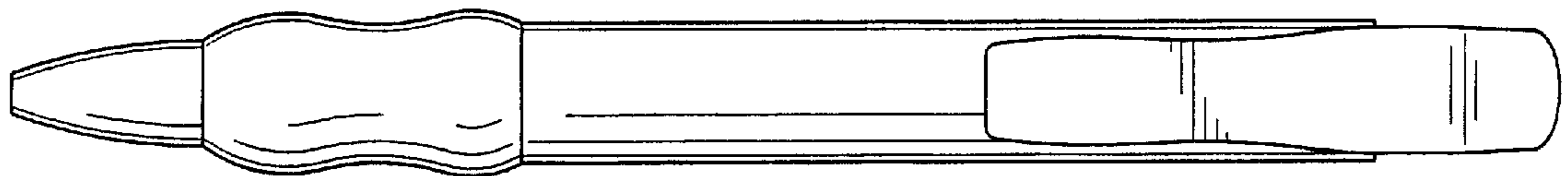


FIG. 3

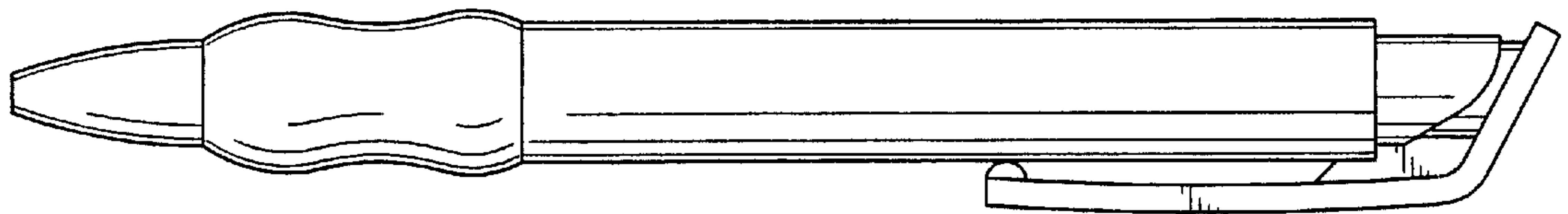


FIG. 4

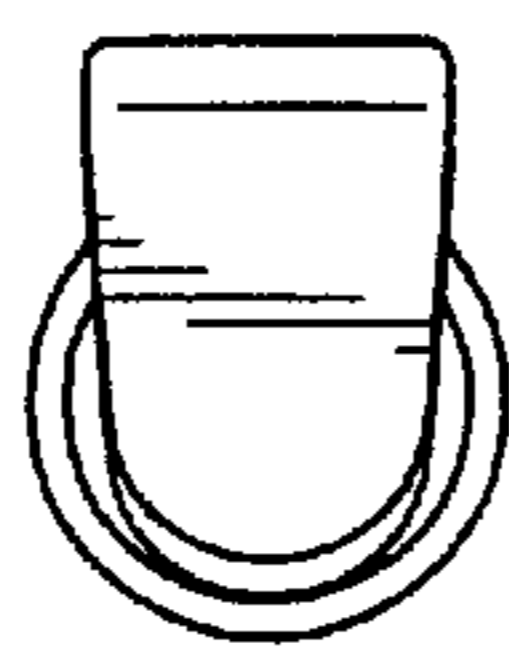


FIG. 5

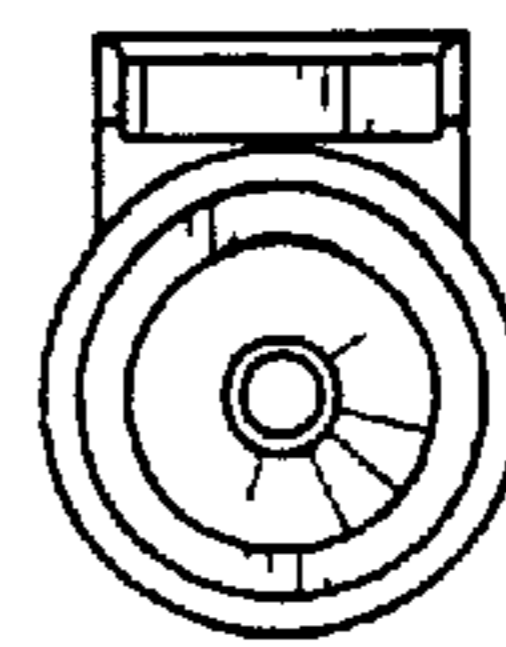


FIG. 6