



US00D475730S

(12) **United States Design Patent**
Folsom

(10) **Patent No.:** **US D475,730 S**

(45) **Date of Patent:** **** Jun. 10, 2003**

(54) **BULGED EYE GOGGLES**

(76) **Inventor:** **Ralph Folsom**, 4413 Farriswood Dr.,
Nashville, TN (US) 37204

(**) **Term:** **14 Years**

(21) **Appl. No.:** **29/151,531**

(22) **Filed:** **Nov. 9, 2001**

(51) **LOC (7) Cl.** **16-06**

(52) **U.S. Cl.** **D16/303; D16/101; D16/300;**
D16/326

(58) **Field of Search** D16/101, 310-330,
D16/332, 900; D29/109, 110; 351/41, 44-47,
49, 51, 52, 158; 2/13, 12, 426, 427, 430,
436, 437, 439, 440, 452, 454

(56) **References Cited**

U.S. PATENT DOCUMENTS

1,272,939	A	*	7/1918	Gammon	2/439
1,856,879	A		5/1932	Lufkin		
D109,761	S	*	5/1938	Foster		
D114,994	S	*	5/1939	McGlynn		
D138,889	S	*	9/1944	Moss et al.		
2,706,815	A		4/1955	Parmelee		
D178,328	S	*	7/1956	Tilton		
D212,261	S	*	9/1968	Bolle		
3,530,506	A		9/1970	Hoffmaster		
4,068,918	A	*	1/1978	Holcombe, Jr.	351/44
4,452,516	A	*	6/1984	Salia-Munoz	351/45
4,790,031	A	*	12/1988	Duerer	2/433
4,831,665	A		5/1989	Palmaer		

D328,752	S	*	8/1992	Blake
5,184,354	A		2/1993	Alfaro et al.
5,631,717	A		5/1997	Spector
5,825,452	A		10/1998	Spector
5,996,129	A		12/1999	Lopez

* cited by examiner

Primary Examiner—Raphael Barkai

(74) *Attorney, Agent, or Firm*—Waddey & Patterson,P.C.;
Douglas W. Schelling

(57) **CLAIM**

What is claimed is the ornamental design for bulged eye goggles, as shown and described.

DESCRIPTION

FIG. 1 is a front elevation of the bulged eye goggles of applicant's invention.

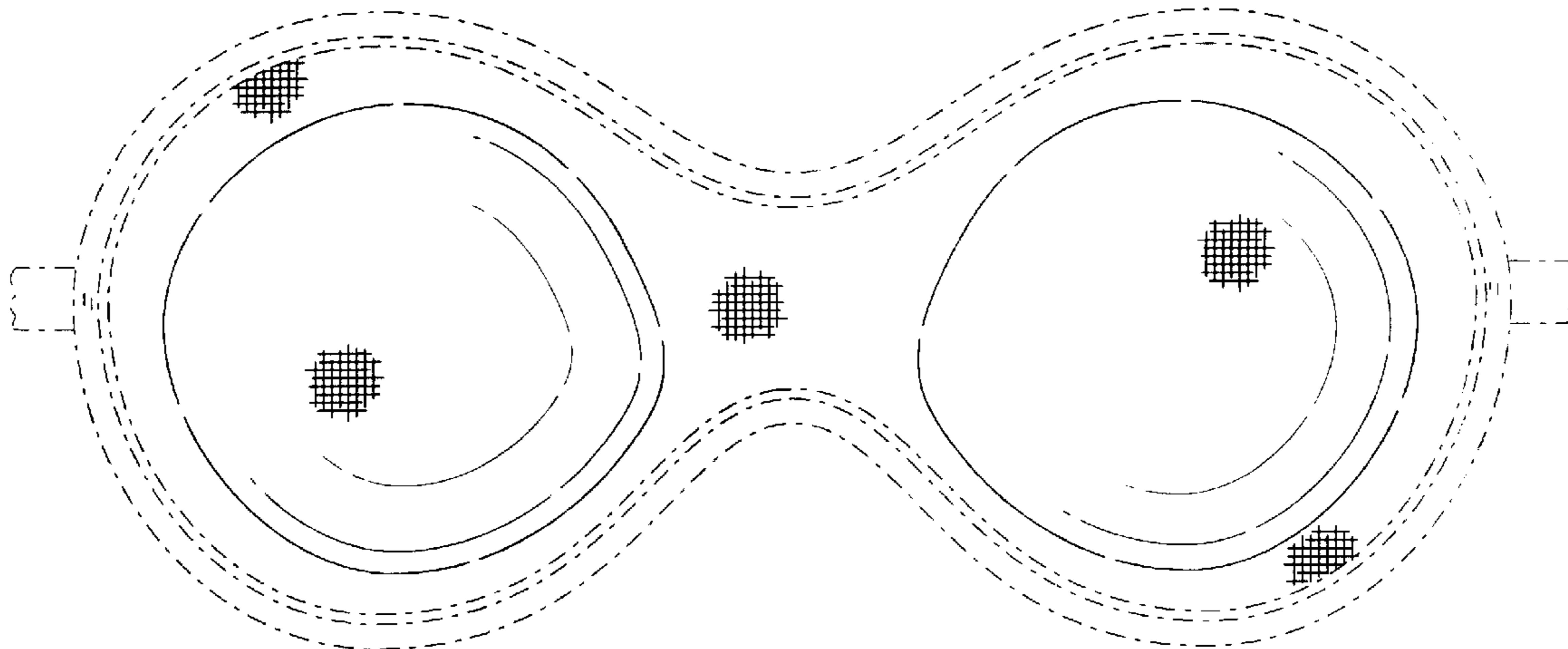
FIG. 2 is a top elevation and a bottom elevation of the bulged eye goggles of applicant's invention, both sides being identical.

FIG. 3 is a back elevation of the bulged eye goggles of applicant's invention.

FIG. 4 is a left elevation and a right elevation of the bulged eye goggles of applicant's invention, both sides being identical; and,

FIG. 5 is a top elevation of the bulged eye goggles of applicant's invention showing the flexibility of the design. The broken lines shown in FIGS. 1-5 are for illustrative purposes only and form no part of the claimed design.

1 Claim, 2 Drawing Sheets



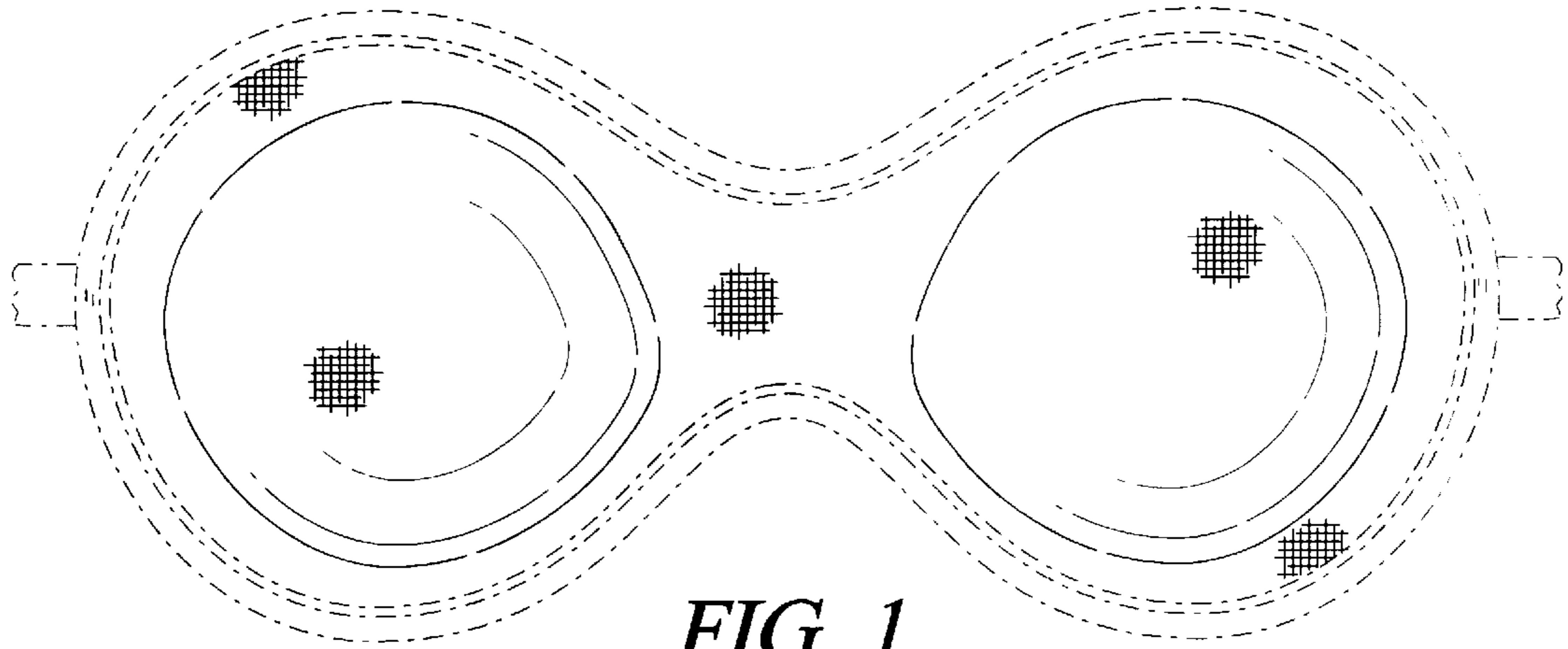


FIG. 1

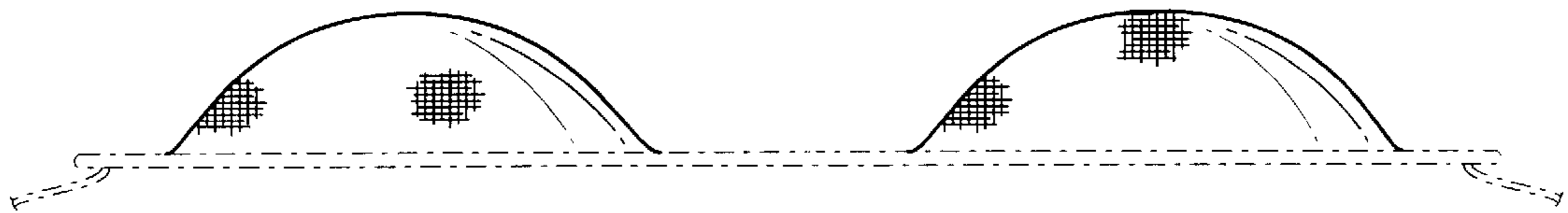


FIG. 2

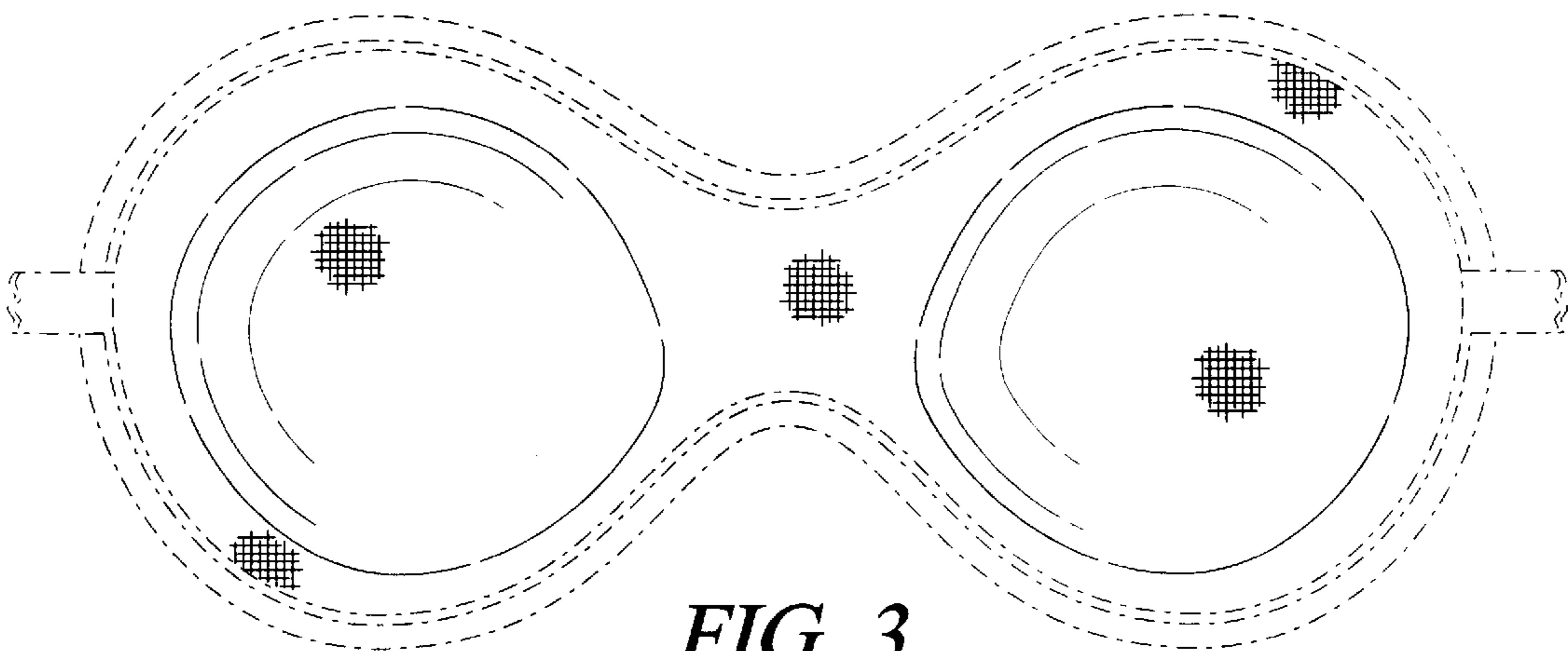


FIG. 3

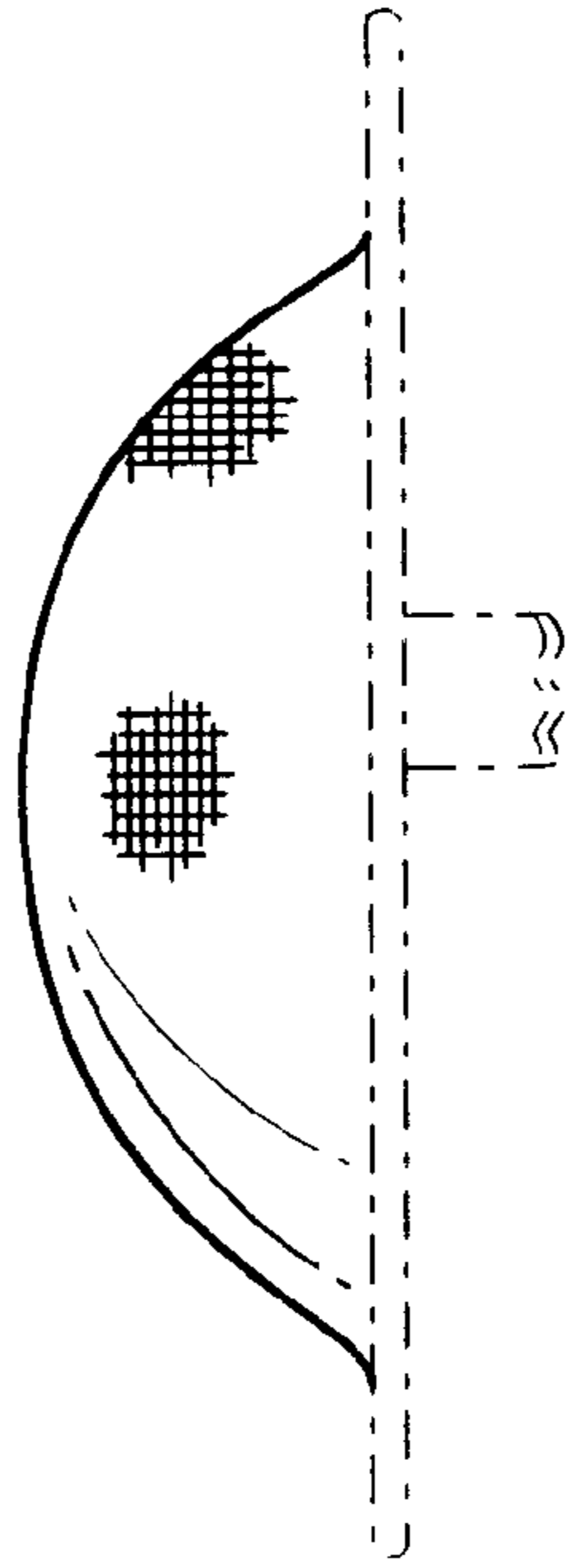


FIG. 4

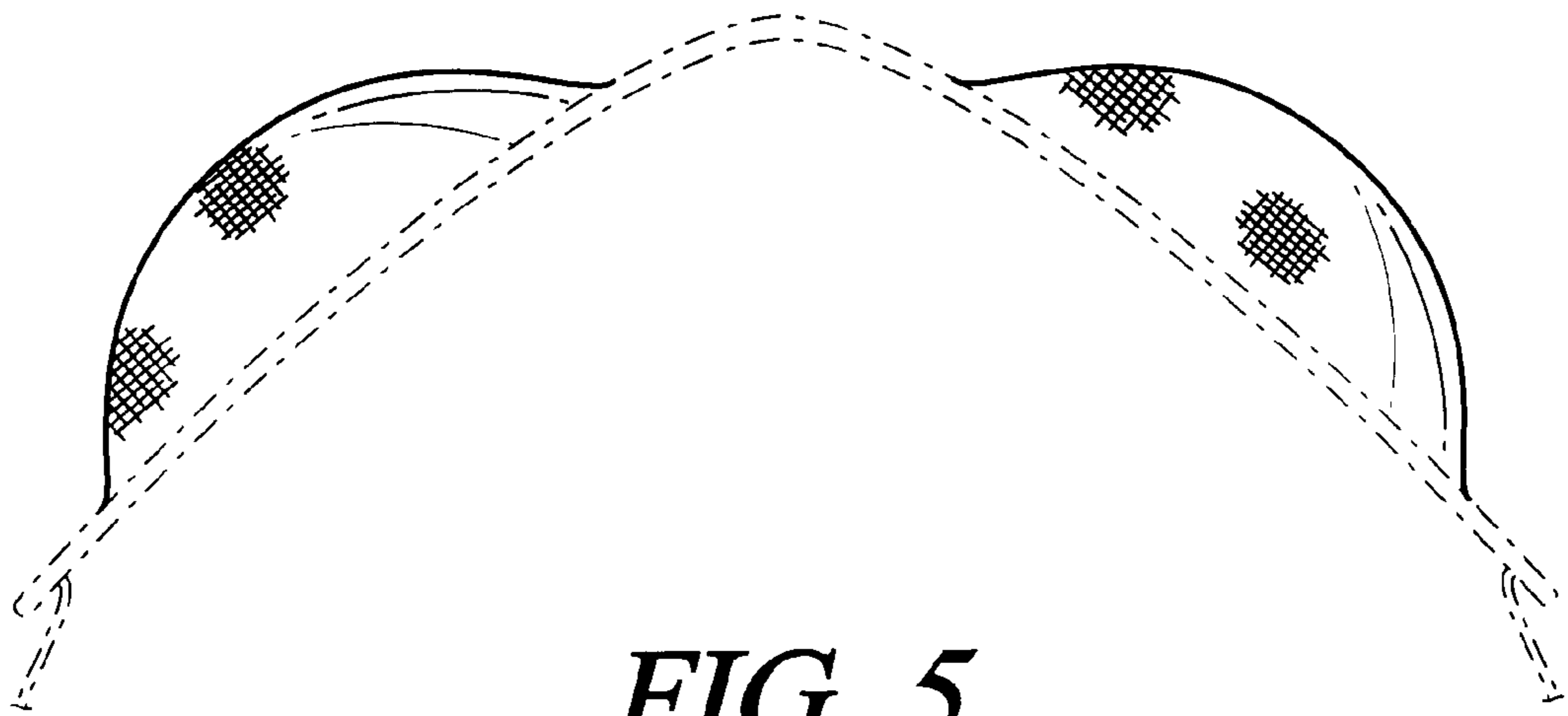


FIG. 5