



US00D475728S

(12) **United States Design Patent**  
**Friedman**

(10) **Patent No.:** **US D475,728 S**

(45) **Date of Patent:** **\*\* Jun. 10, 2003**

(54) **MAGNIFIER WITH DUAL HAND GRIPS AND ATTACHABLE STAND**

(76) **Inventor:** **Arthur S. Friedman**, 2144 Seneca Dr.  
West, Box 625, Merrick, NY (US)  
11566-0625

(\*\*) **Term:** **14 Years**

(21) **Appl. No.:** **29/163,334**

(22) **Filed:** **Jul. 3, 2002**

(51) **LOC (7) Cl.** ..... **16-06**

(52) **U.S. Cl.** ..... **D16/135**

(58) **Field of Search** ..... D16/130, 135,  
D16/136; 359/800, 801, 802, 804, 810,  
811, 442; D26/39, 44, 51; 40/352, 355;  
248/165, 471

(56) **References Cited**

**U.S. PATENT DOCUMENTS**

- D60,010 S \* 12/1921 Bugbee ..... D16/135
- 1,806,422 A \* 5/1931 Shaen ..... 359/442
- D133,366 S \* 8/1942 Stegman ..... D16/135
- D135,421 S \* 4/1943 Austin ..... D16/135

- D146,272 S \* 1/1947 Van Dyke ..... D16/135
- D257,044 S \* 9/1980 Speaker ..... D16/135
- D303,977 S \* 10/1989 Steel et al. .... D16/135
- D424,591 S \* 5/2000 Goff et al. .... D16/135

\* cited by examiner

*Primary Examiner*—Paula A. Mortimer  
(74) *Attorney, Agent, or Firm*—Dennison, Schultz & Dougherty

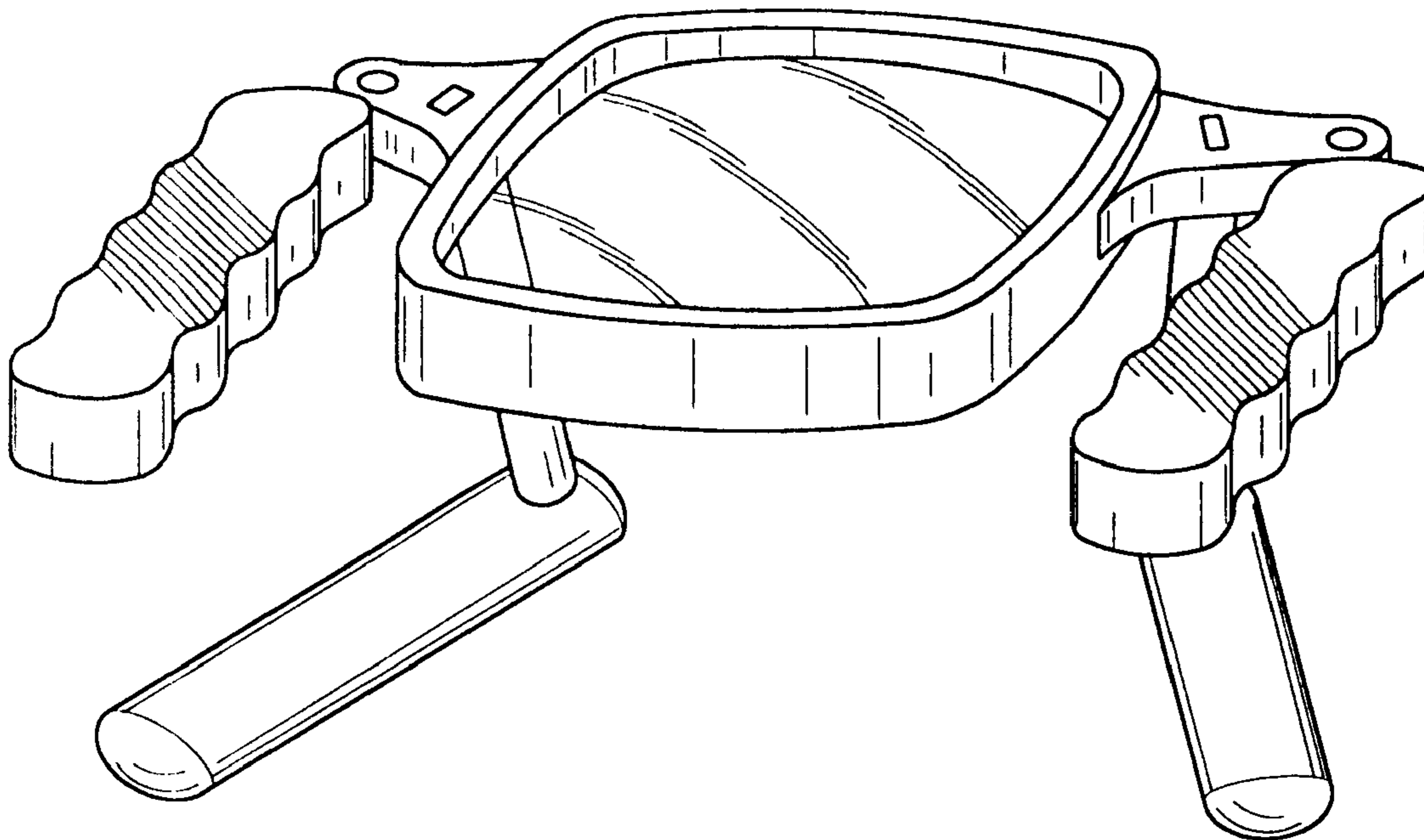
(57) **CLAIM**

The ornamental design for a magnifier with dual hand grips and attachable stand, as shown.

**DESCRIPTION**

FIG. 1 is a top, front and side perspective view of a magnifier with dual hand grips and attachable stand showing my new design  
FIG. 2 is a top plan view thereof;  
FIG. 3 is a front elevation view thereof;  
FIG. 4 is a right side elevation view thereof;  
FIG. 5 is a bottom plan view thereof; and,  
FIG. 6 is a rear elevation thereof.

**1 Claim, 2 Drawing Sheets**



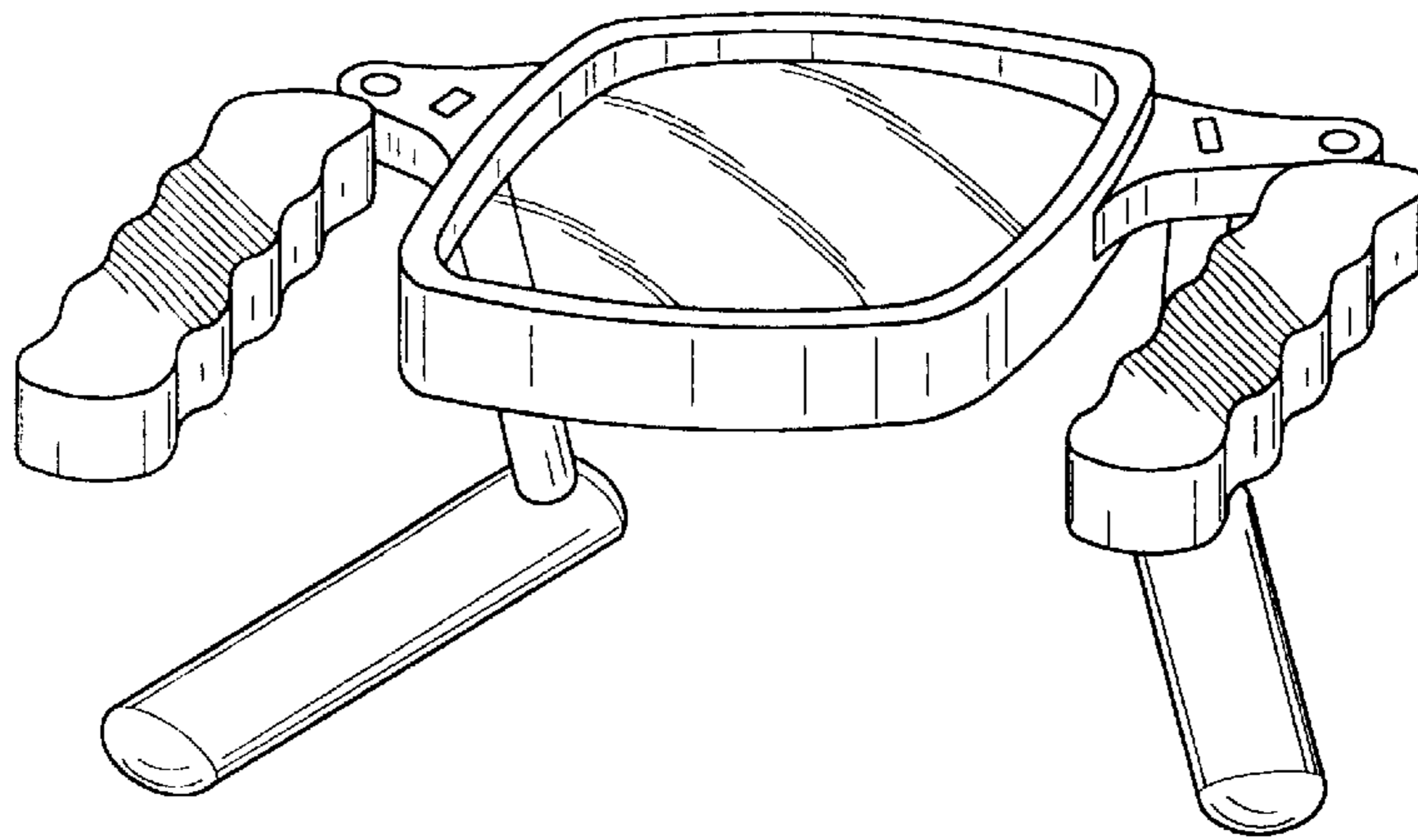


FIG. 1

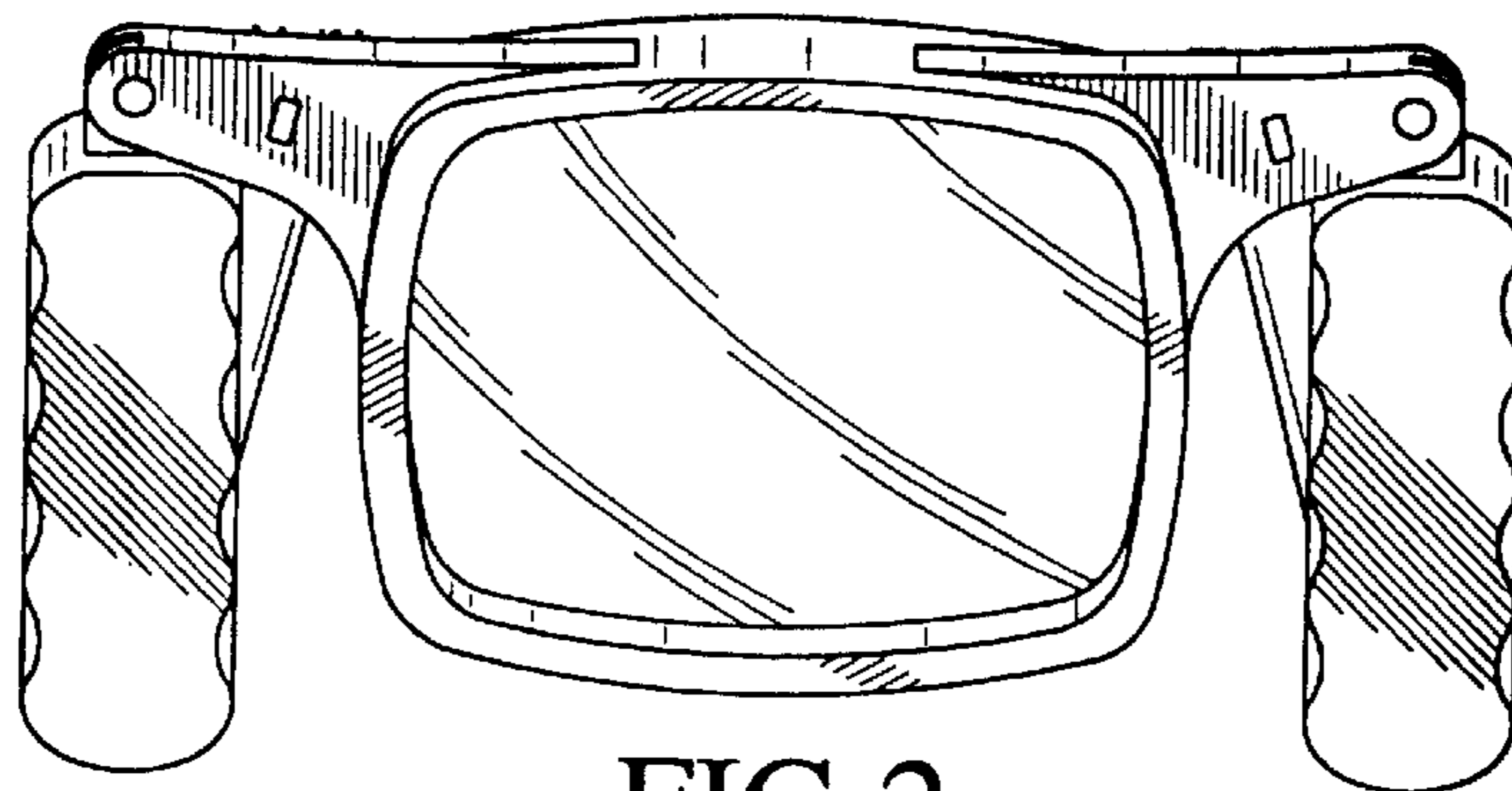


FIG. 2

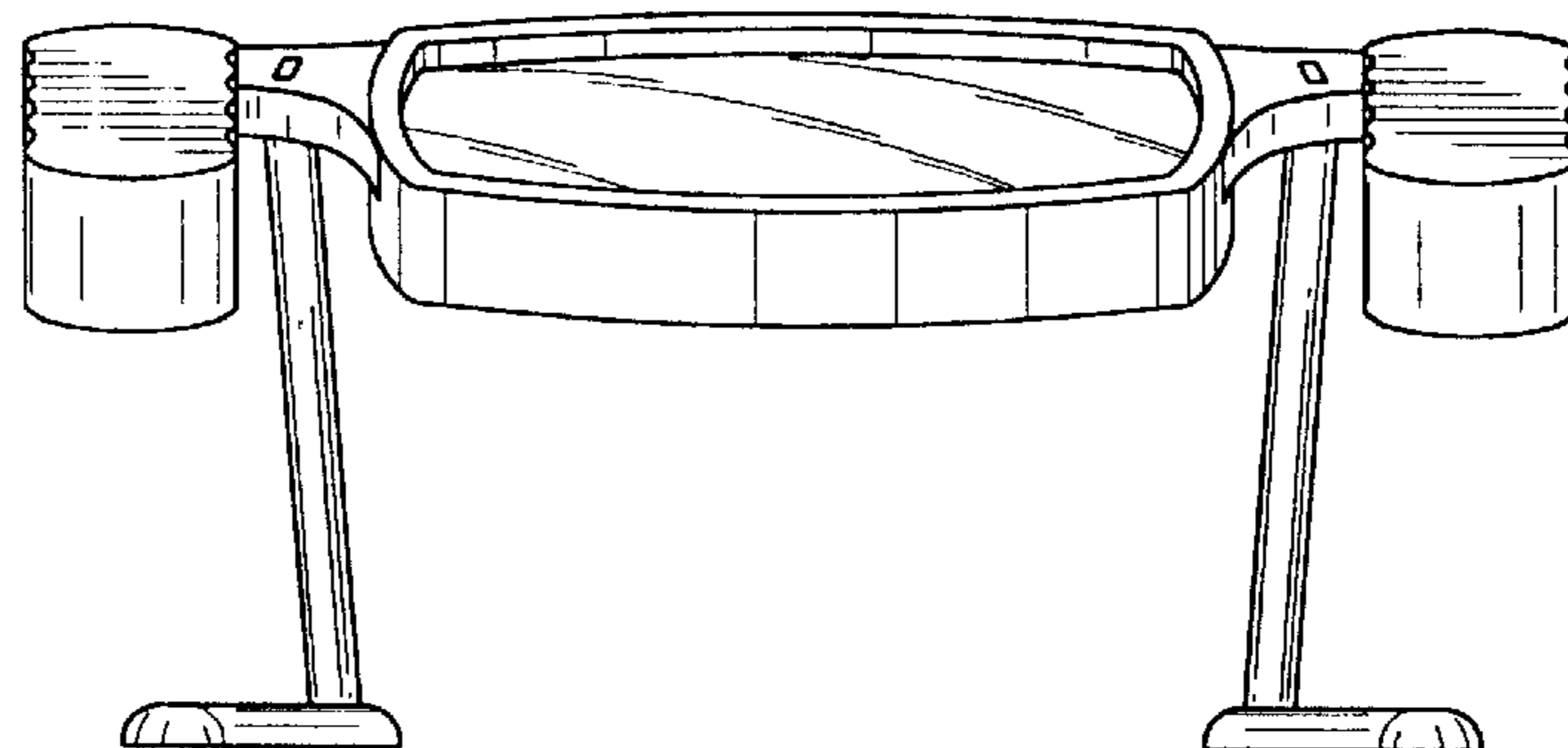


FIG. 3

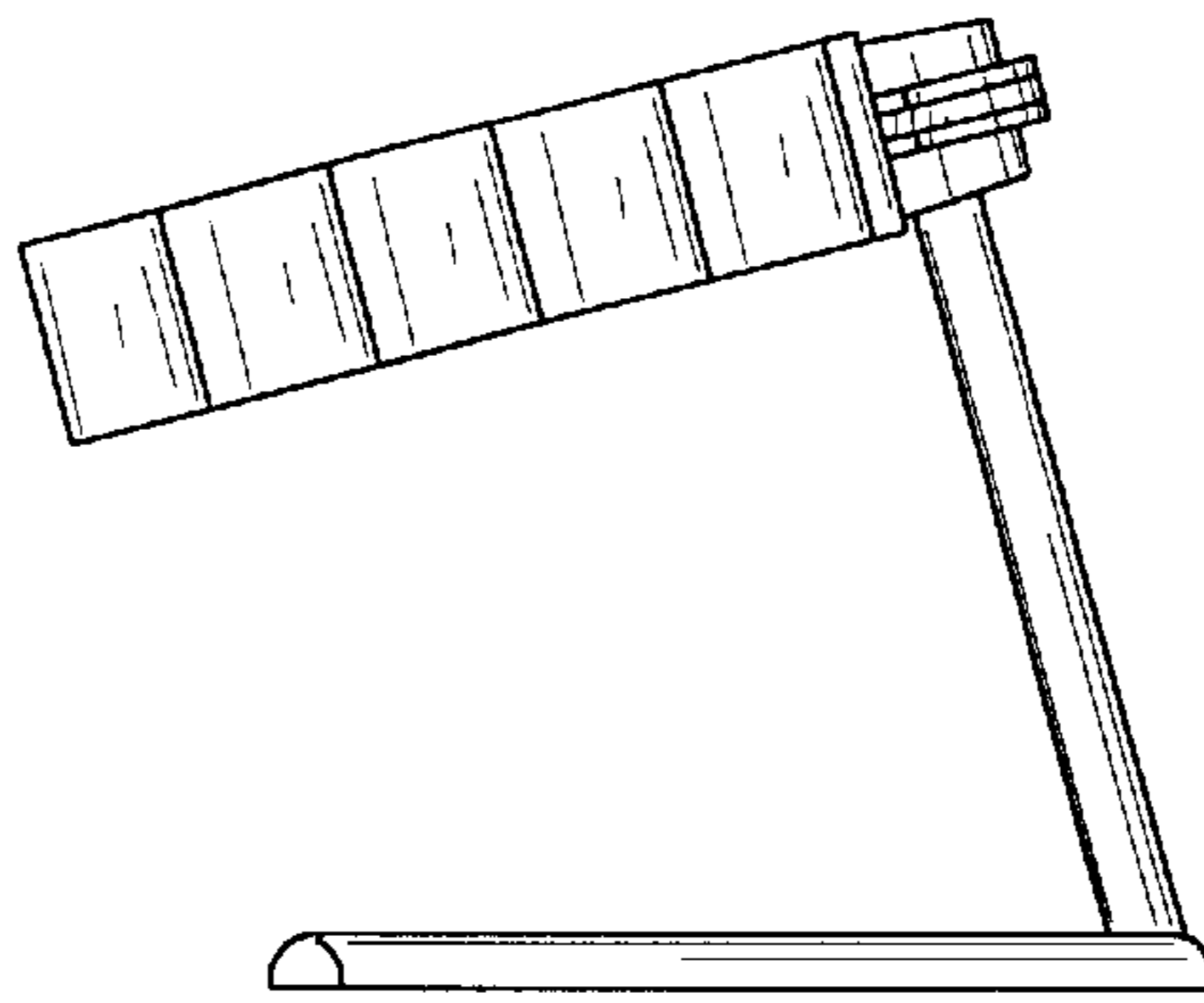


FIG. 4

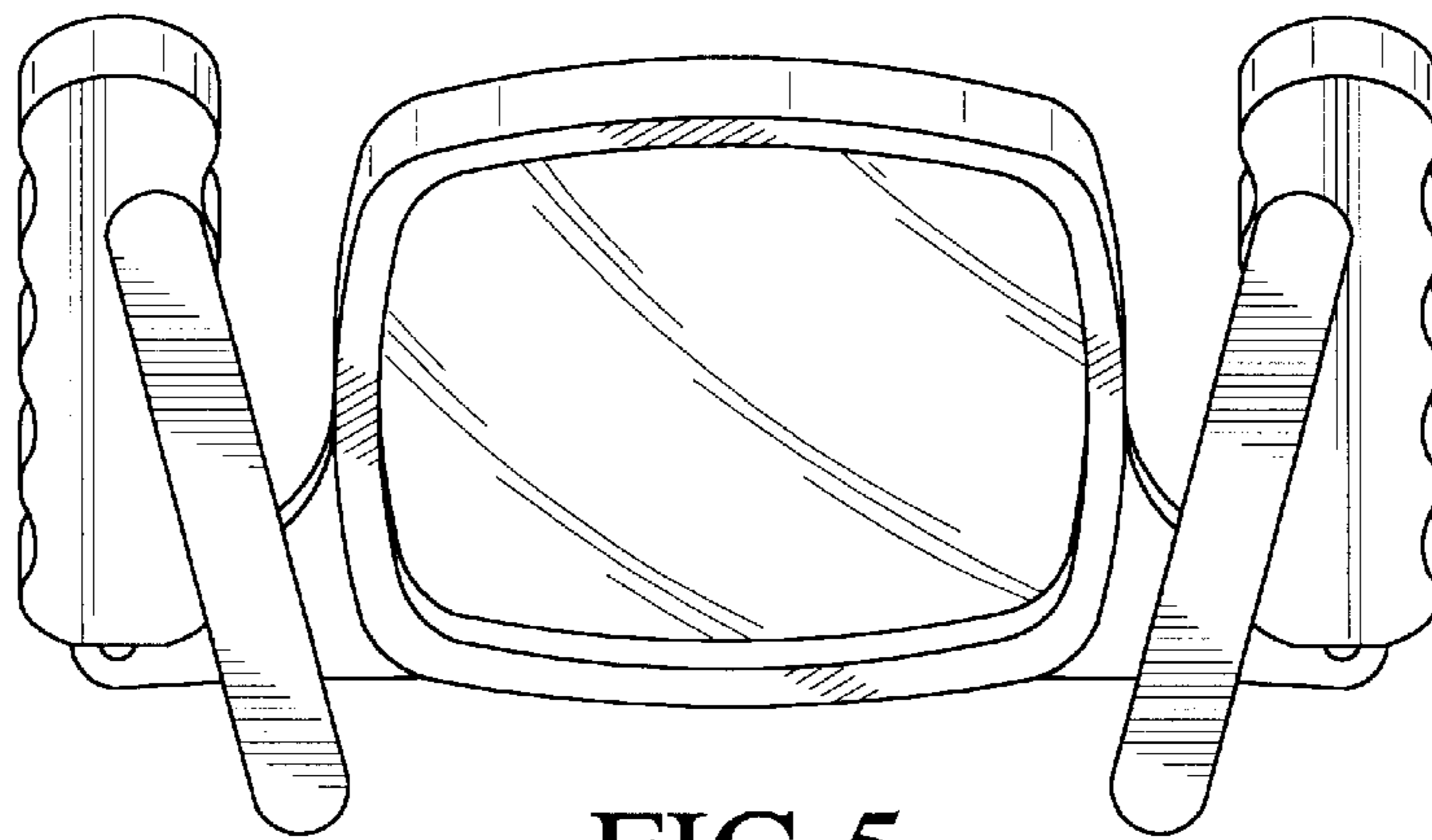


FIG. 5

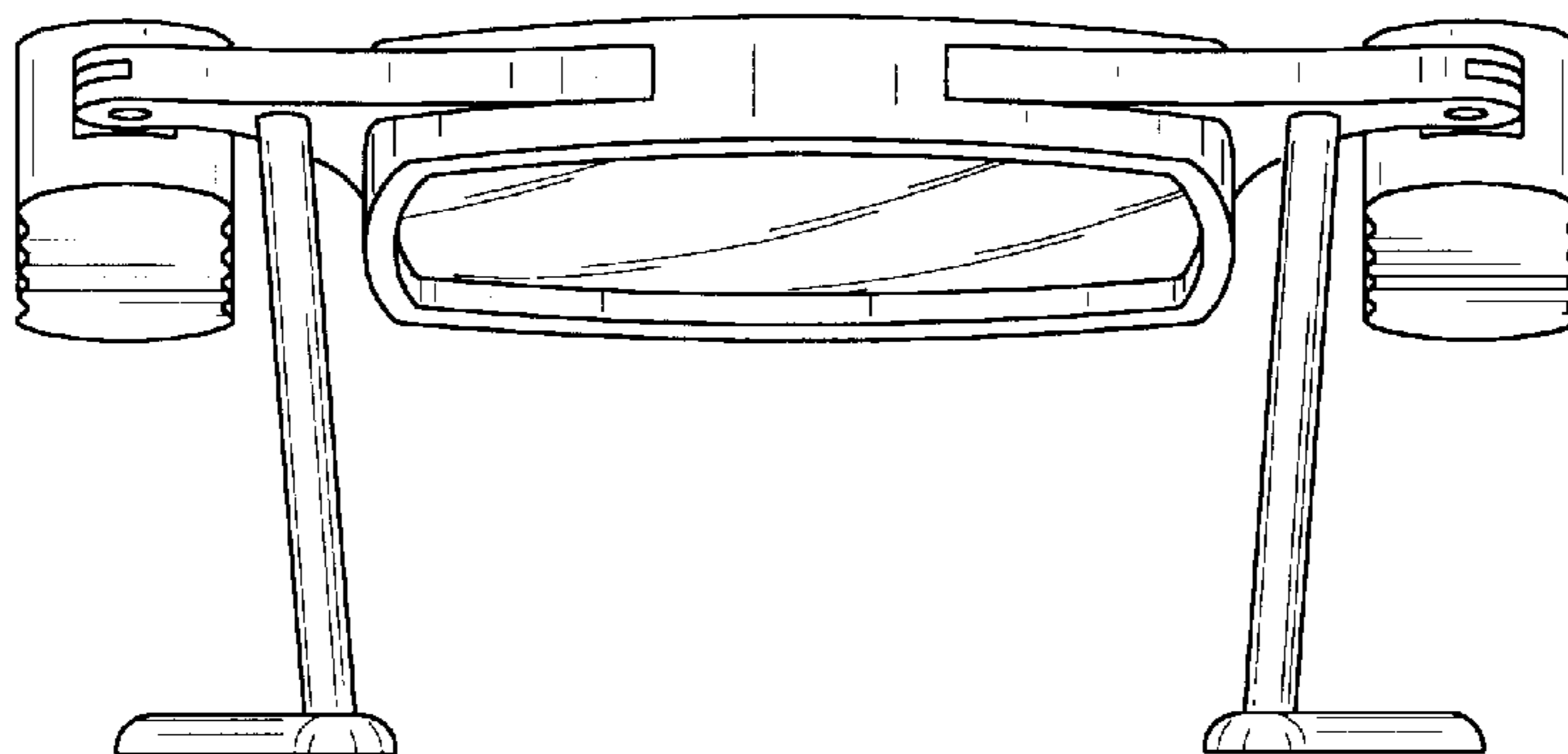


FIG. 6