



US00D475723S

(12) **United States Design Patent**
Sikström et al.

(10) **Patent No.:** **US D475,723 S**

(45) **Date of Patent:** **** Jun. 10, 2003**

(54) **CUTTING TOOL**

(75) Inventors: **Ronnie Sikström**, Sandviken (SE);
Sture Sjöo, Gävle (SE)

(73) Assignee: **Sandvik Aktiebloag**, Sandviken (SE)

(**) Term: **14 Years**

(21) Appl. No.: **29/156,838**

(22) Filed: **Mar. 11, 2002**

(30) **Foreign Application Priority Data**

Sep. 11, 2001 (SE) 01-1474
Sep. 11, 2001 (SE) 01-1478
Sep. 11, 2001 (SE) 01-1482

(51) **LOC (7) Cl.** **15-09**

(52) **U.S. Cl.** **D15/139**

(58) **Field of Search** D15/138, 139;
407/97-102, 110, 111, 117

(56) **References Cited**

U.S. PATENT DOCUMENTS

5,688,080 A * 11/1997 Hedland 407/101
6,176,649 B1 * 1/2001 Friedman 407/110

OTHER PUBLICATIONS

Turning Tools and Inserts Catalogue, Mar. 2000, Sandvik,
Denmark, pp. A77, A105-A107 and A113.

* cited by examiner

Primary Examiner—Antoine Duval Davis

(74) *Attorney, Agent, or Firm*—Burns, Doane, Swecker &
Mathis, L.L.P.

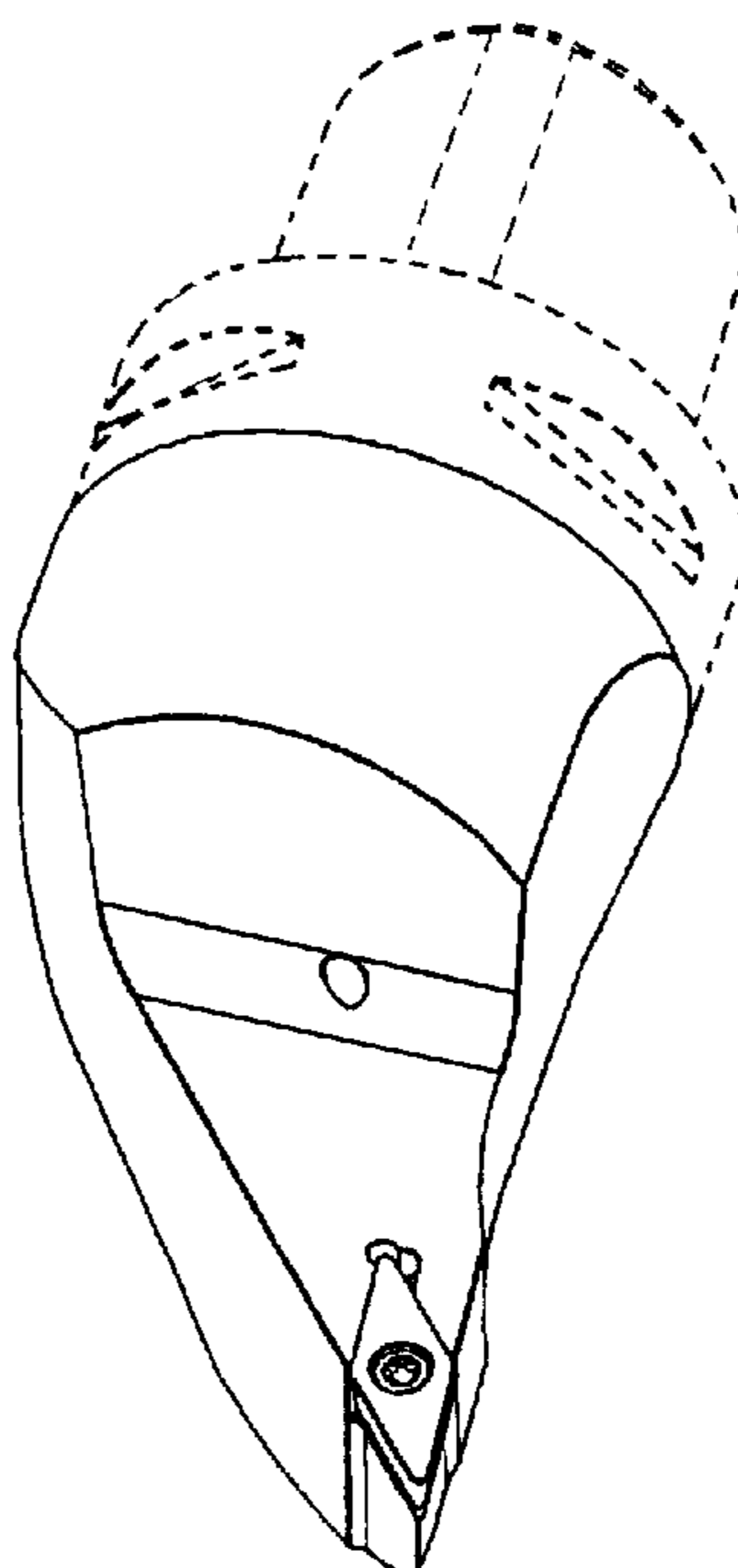
(57) **CLAIM**

The ornamental design for a cutting tool, as shown and described.

DESCRIPTION

FIG. 1 is a top, front perspective view of a cutting tool showing a first embodiment of our new design.
FIG. 2 is a top plan view thereof.
FIG. 3 is a bottom plan view thereof.
FIG. 4 is a right side elevational view thereof.
FIG. 5 is a left side elevational view thereof.
FIG. 6 is a front elevational view thereof.
FIG. 7 is a rear elevational view thereof.
FIG. 8 is a top, front perspective view of a second embodiment of our new design.
FIG. 9 is a top plan view thereof.
FIG. 10 is a bottom plan view thereof.
FIG. 11 is a right side elevational view thereof.
FIG. 12 is a left side elevational view thereof.
FIG. 13 is a front elevational view thereof.
FIG. 14 is a rear elevational view thereof.
FIG. 15 is a top, front perspective view of a third embodiment of our new design.
FIG. 16 is a top plan view thereof.
FIG. 17 is a bottom plan view thereof.
FIG. 18 is a right side elevational view thereof.
FIG. 19 is a left side elevational view thereof.
FIG. 20 is a front elevational view thereof; and,
FIG. 21 is a rear elevational view thereof.
The broken line showing of the rear portion of the cutting tool in FIGS. 1-5, 7-12, 14-19, and 21 is for illustrative purposes only and forms no part of the claimed design.

1 Claim, 3 Drawing Sheets



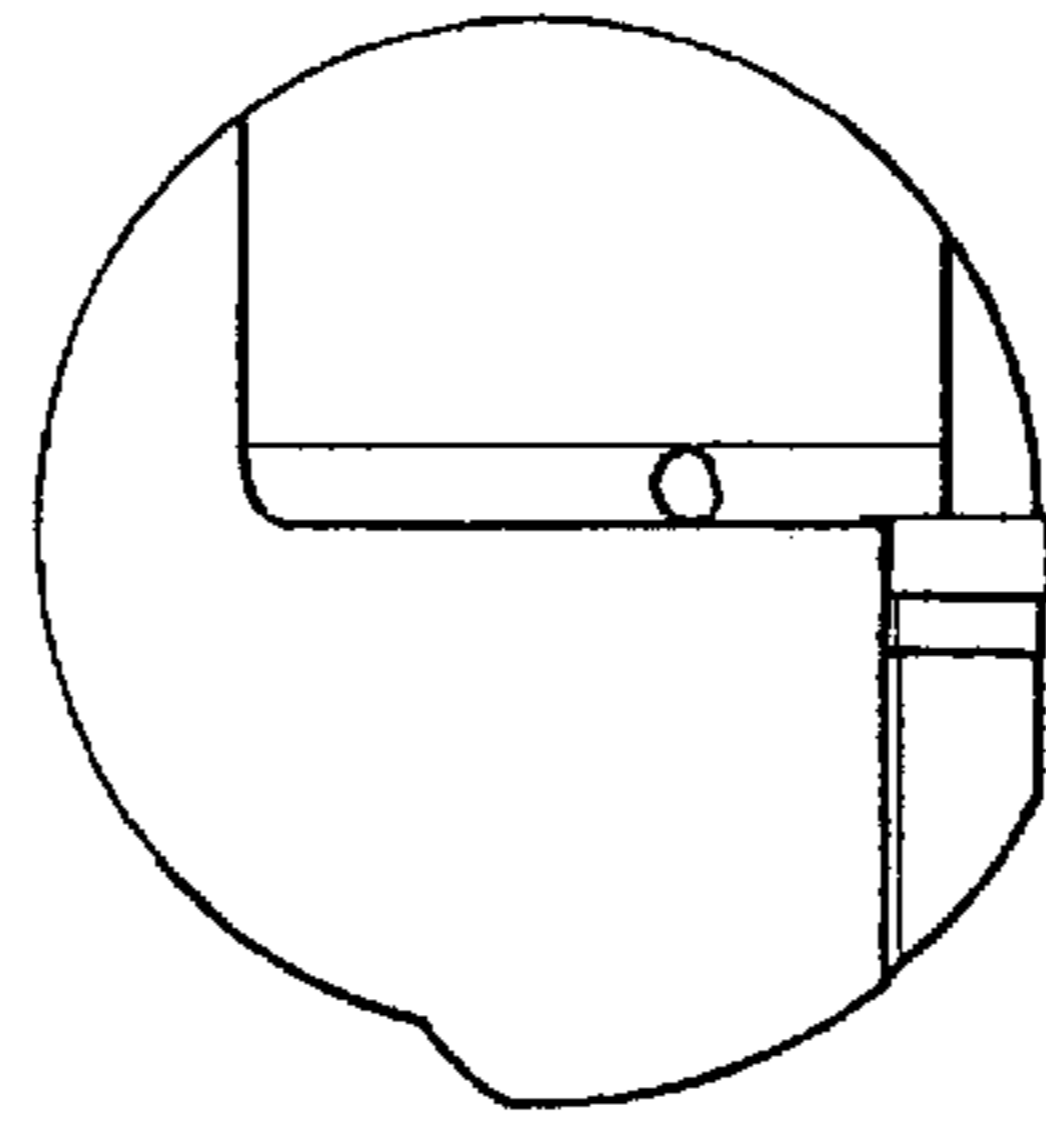


FIG. 6

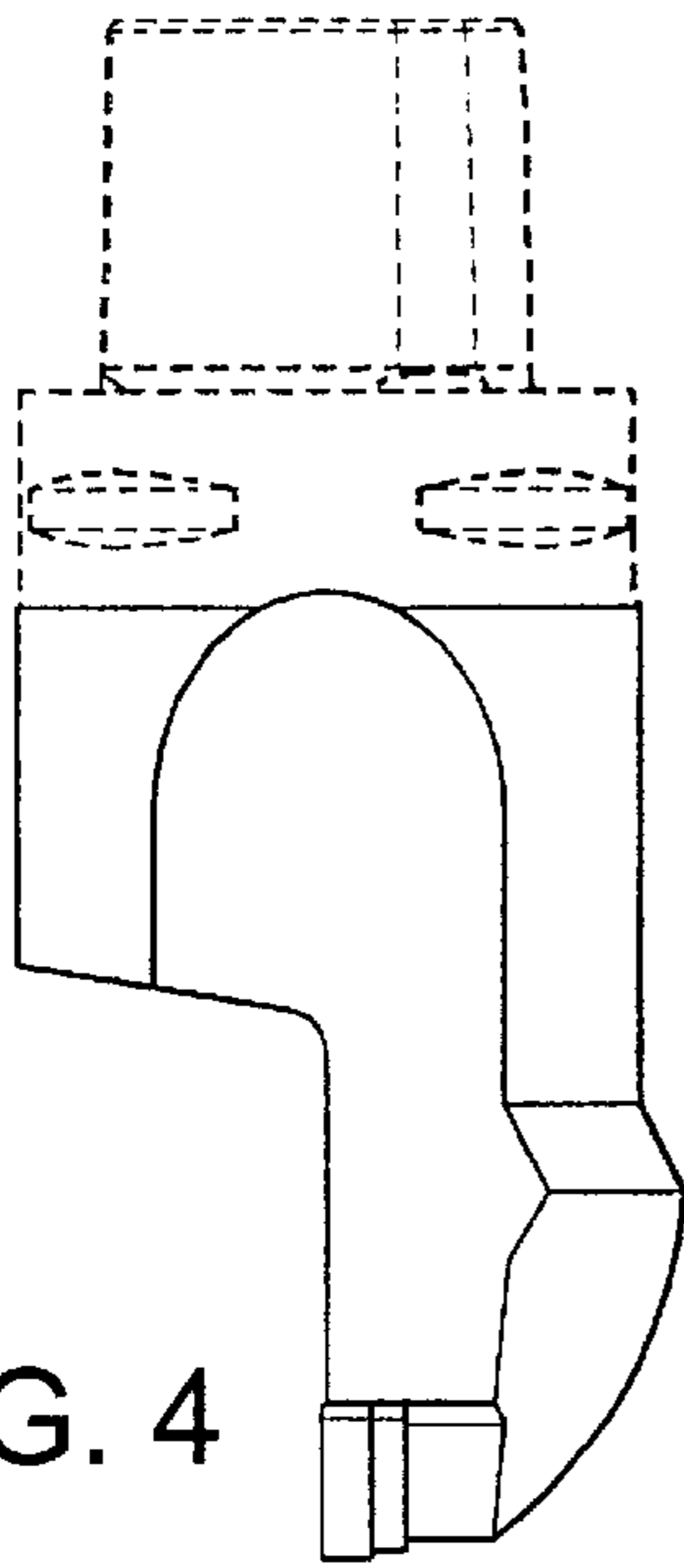


FIG. 4

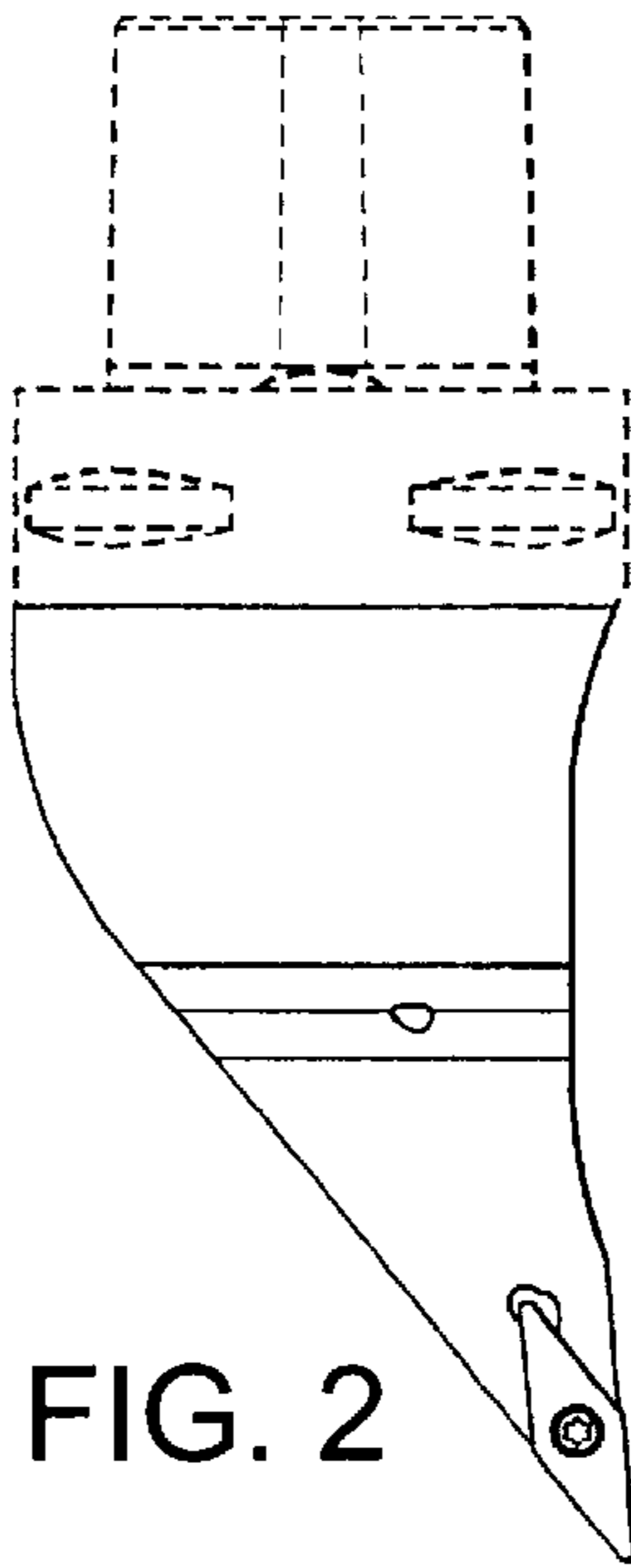


FIG. 2

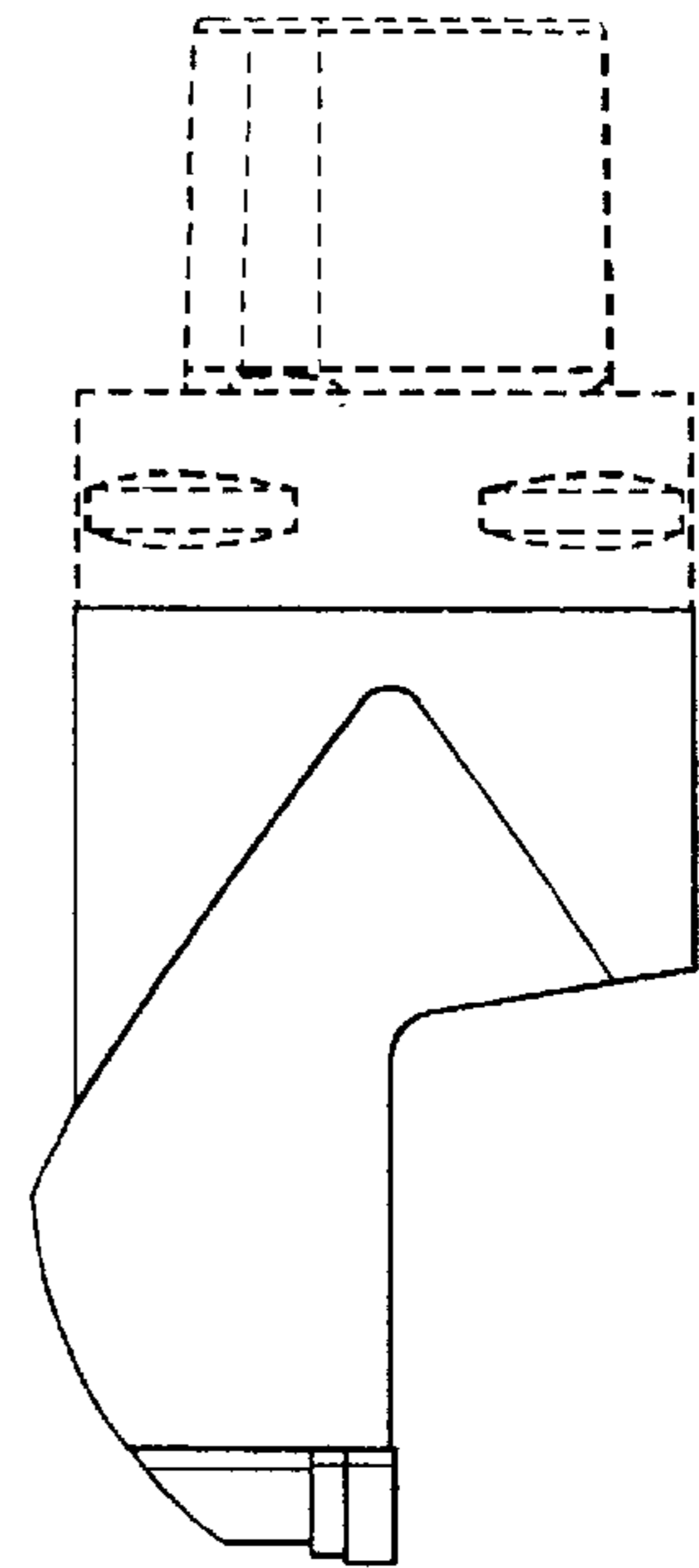


FIG. 5

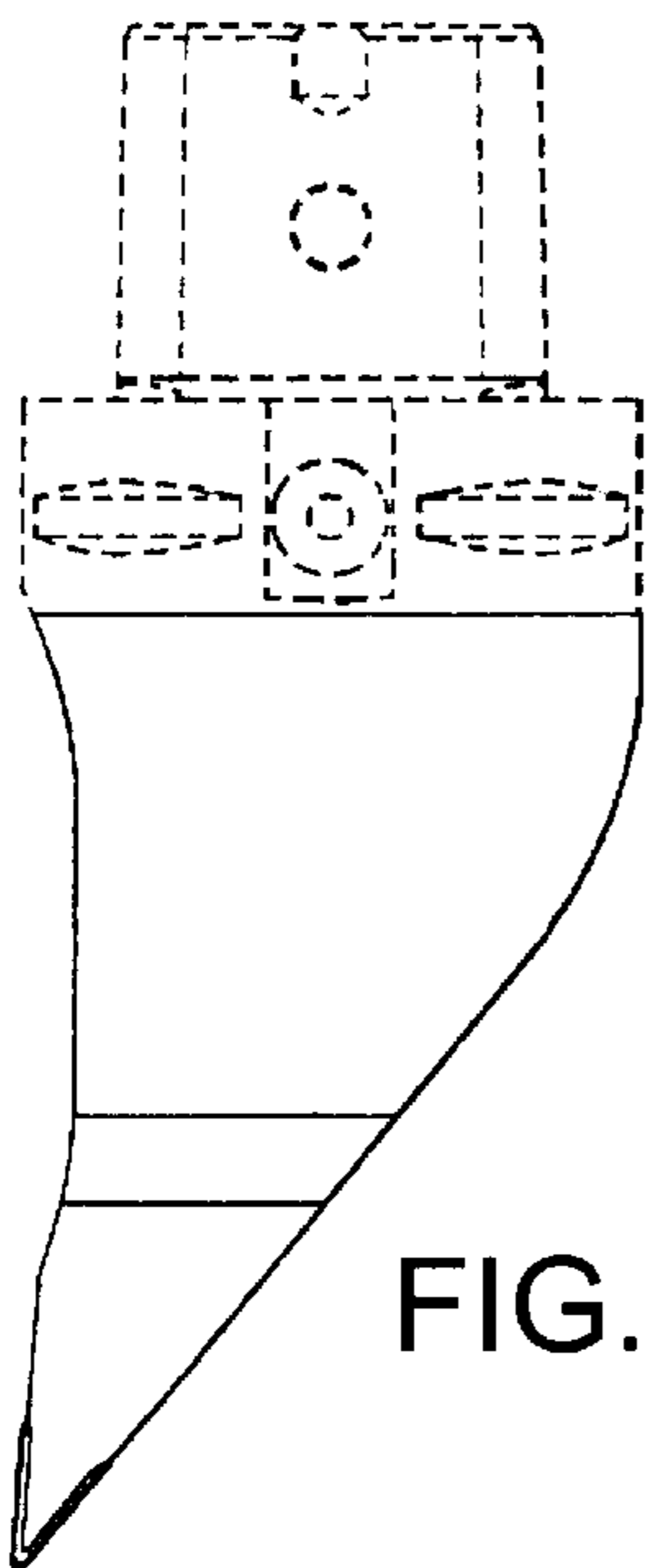


FIG. 3

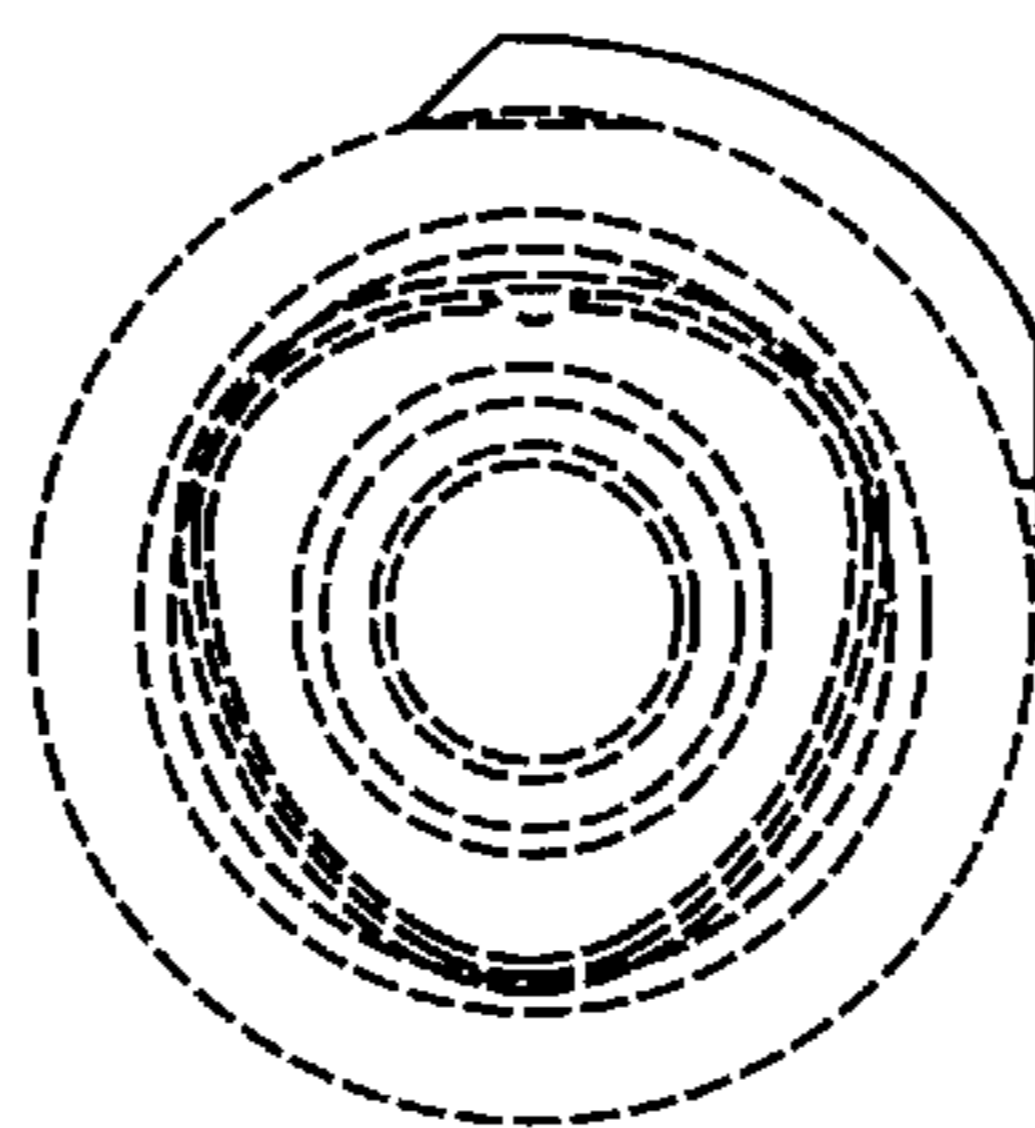


FIG. 7

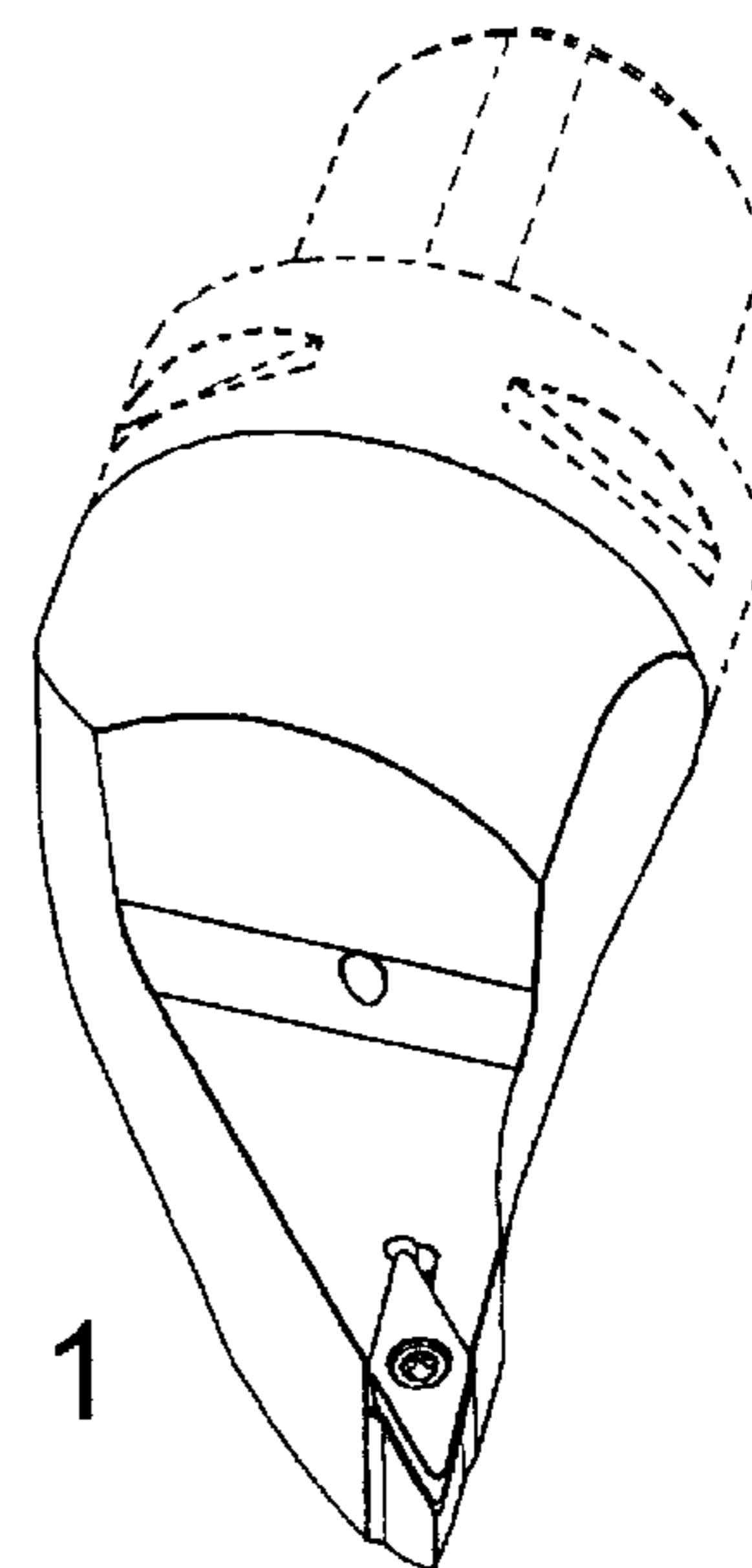


FIG. 1

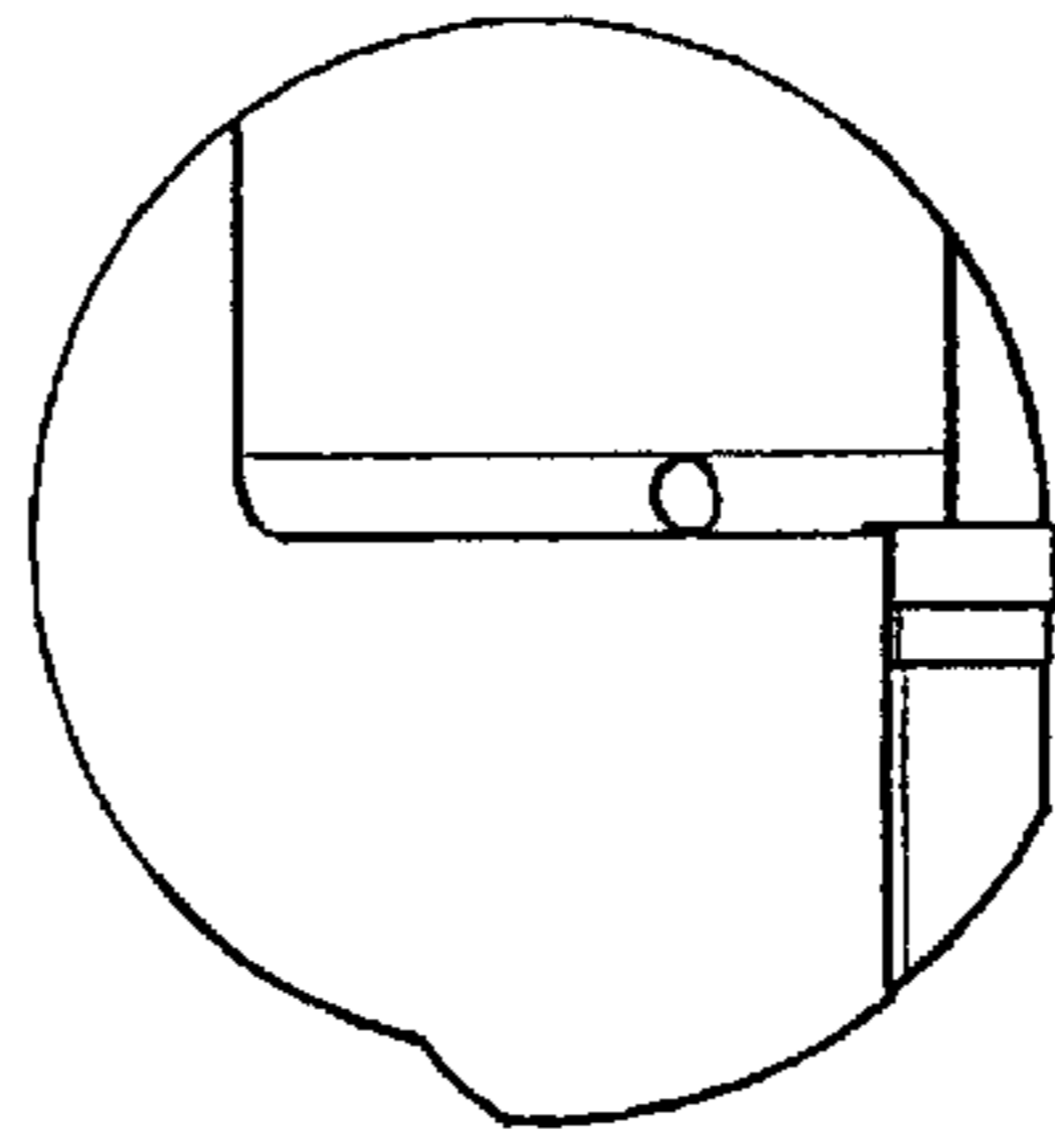


FIG. 13

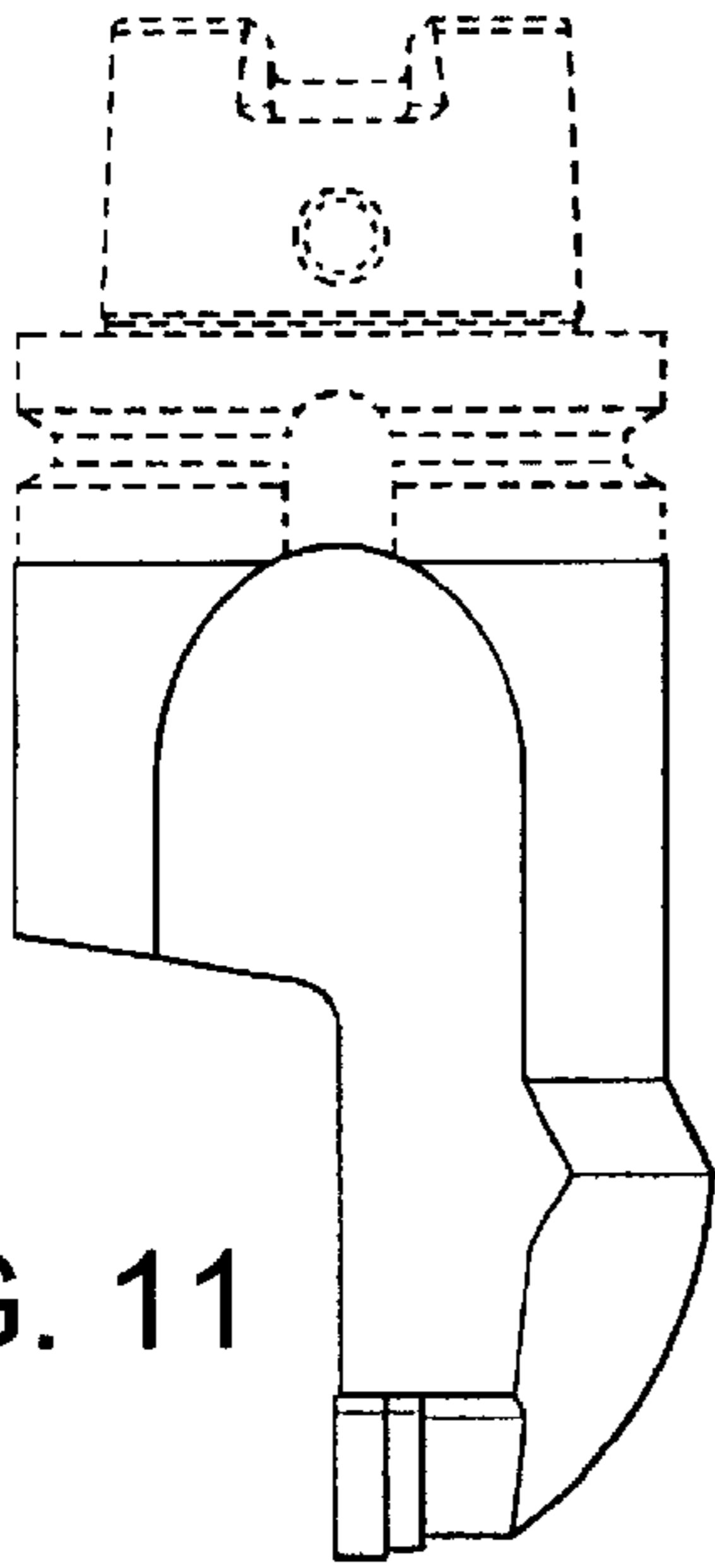


FIG. 11

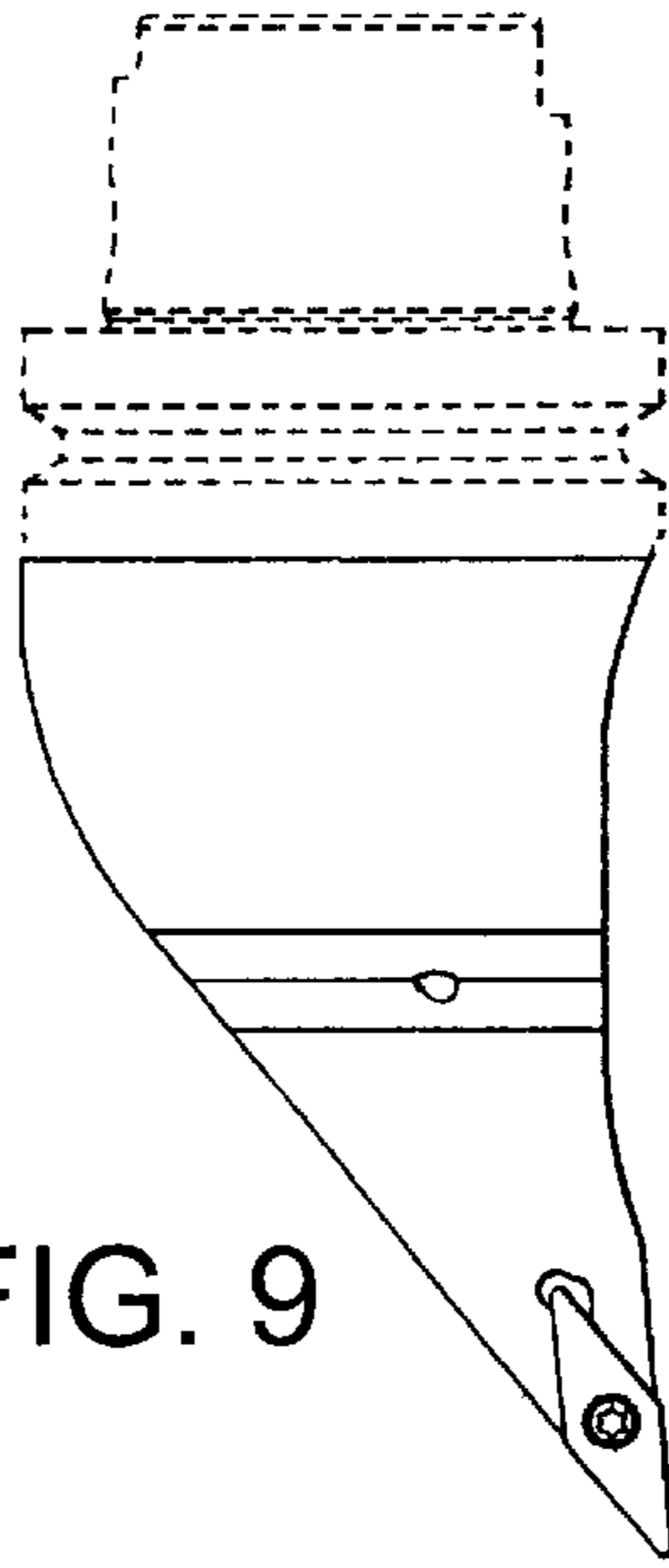


FIG. 9

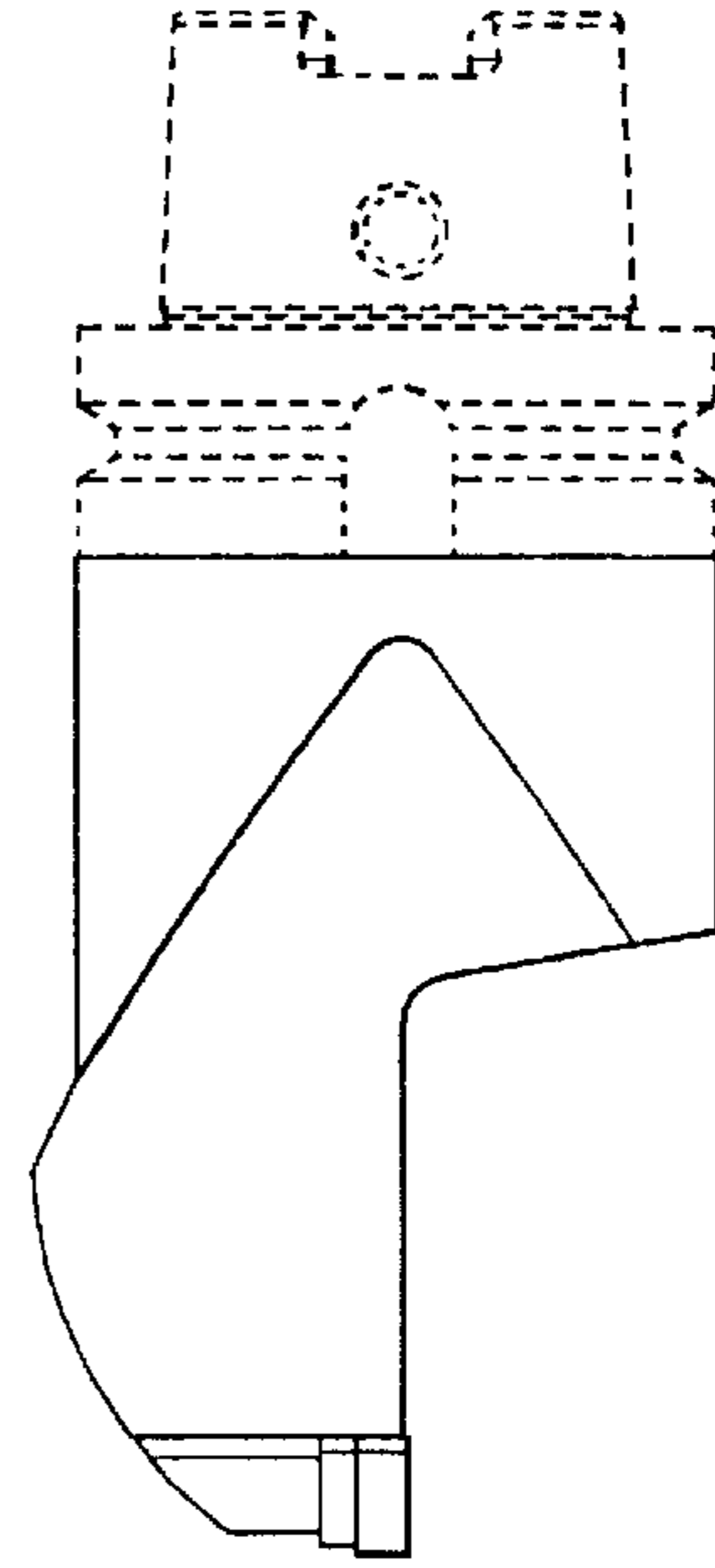


FIG. 12

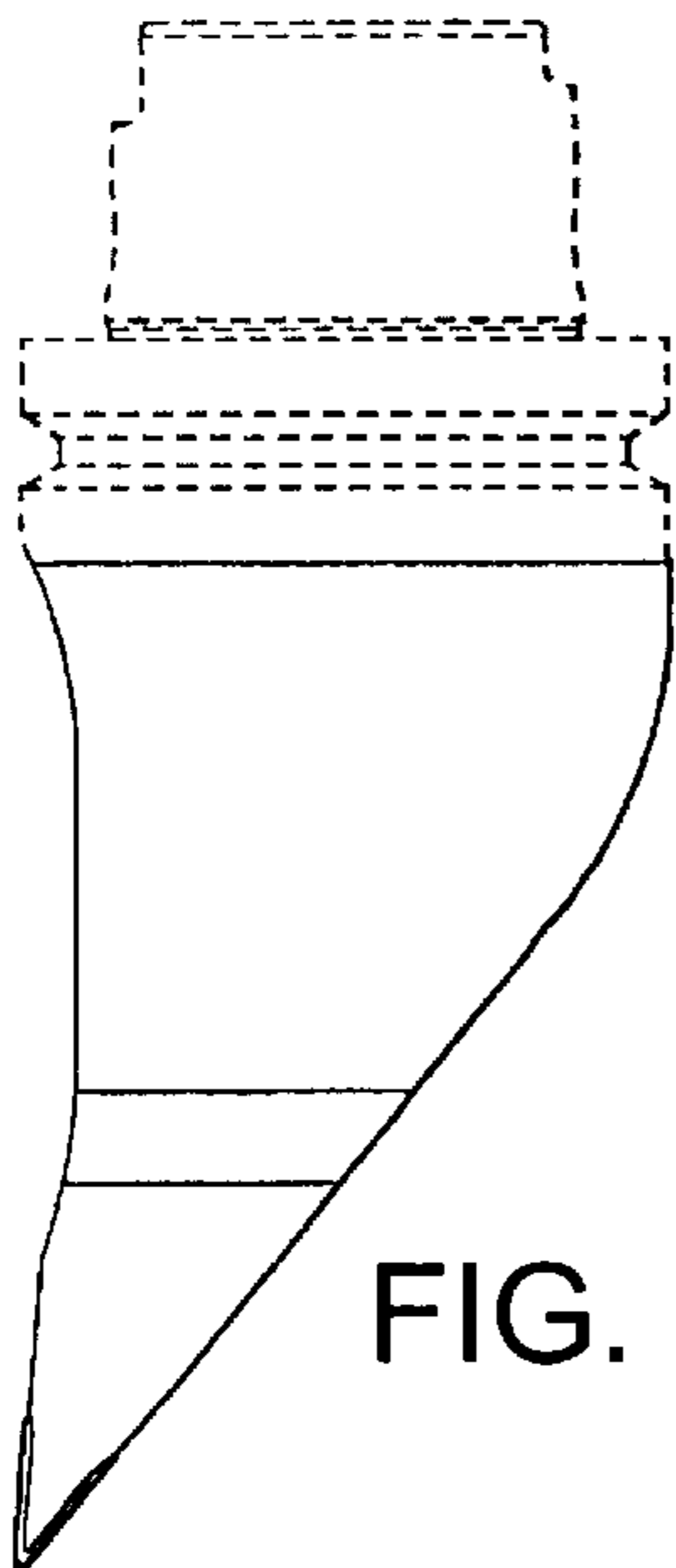


FIG. 10

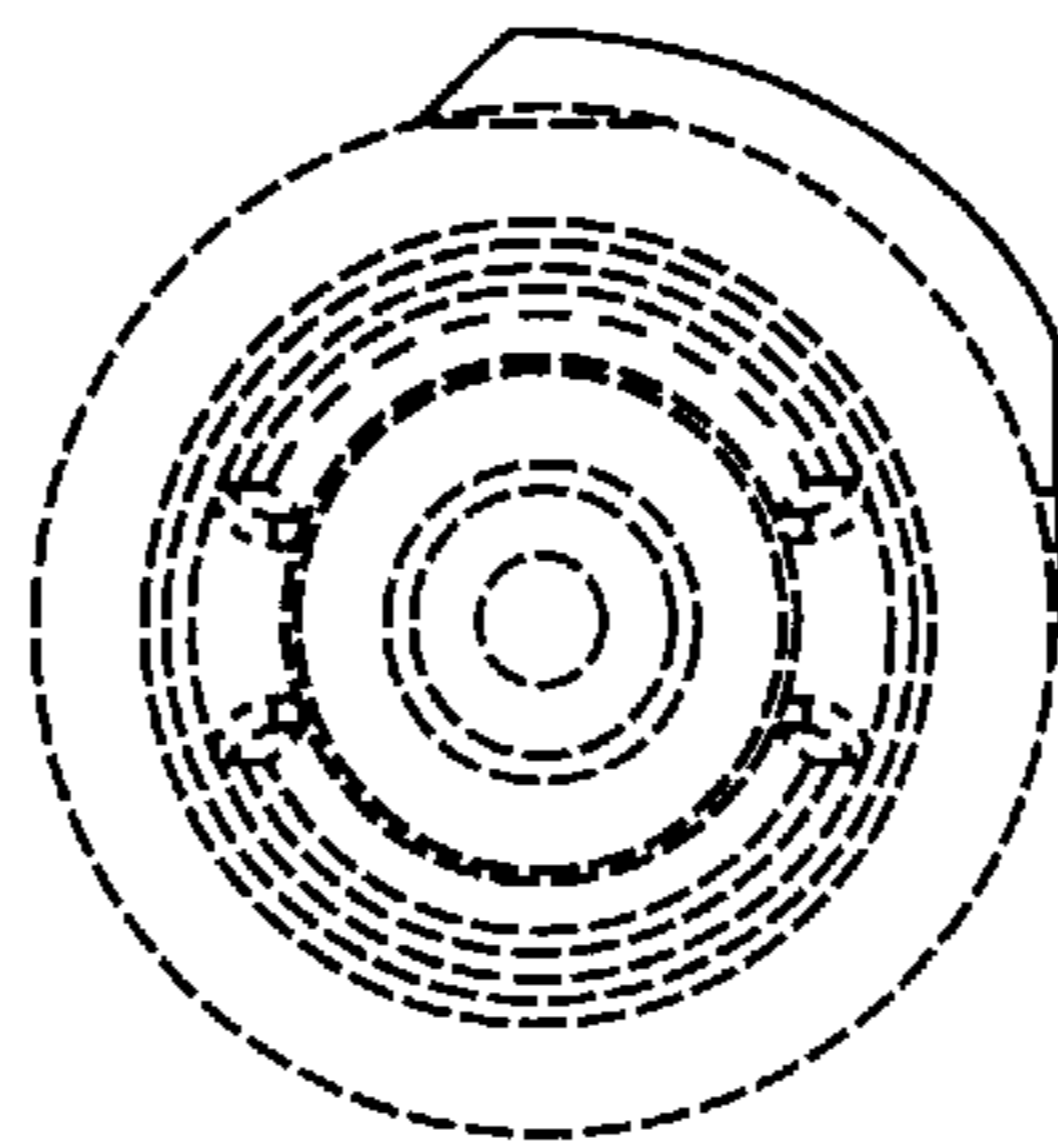


FIG. 14

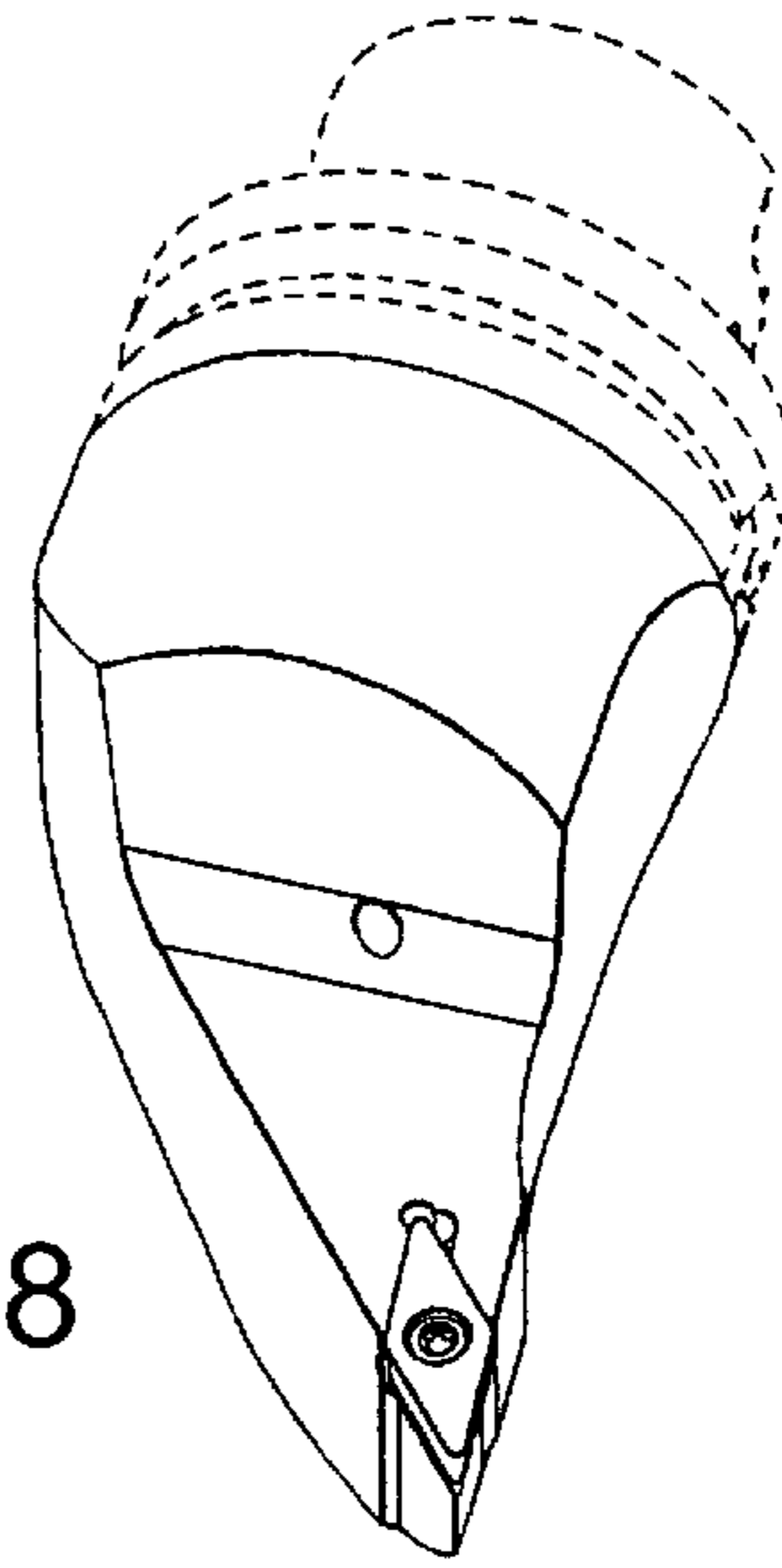


FIG. 8

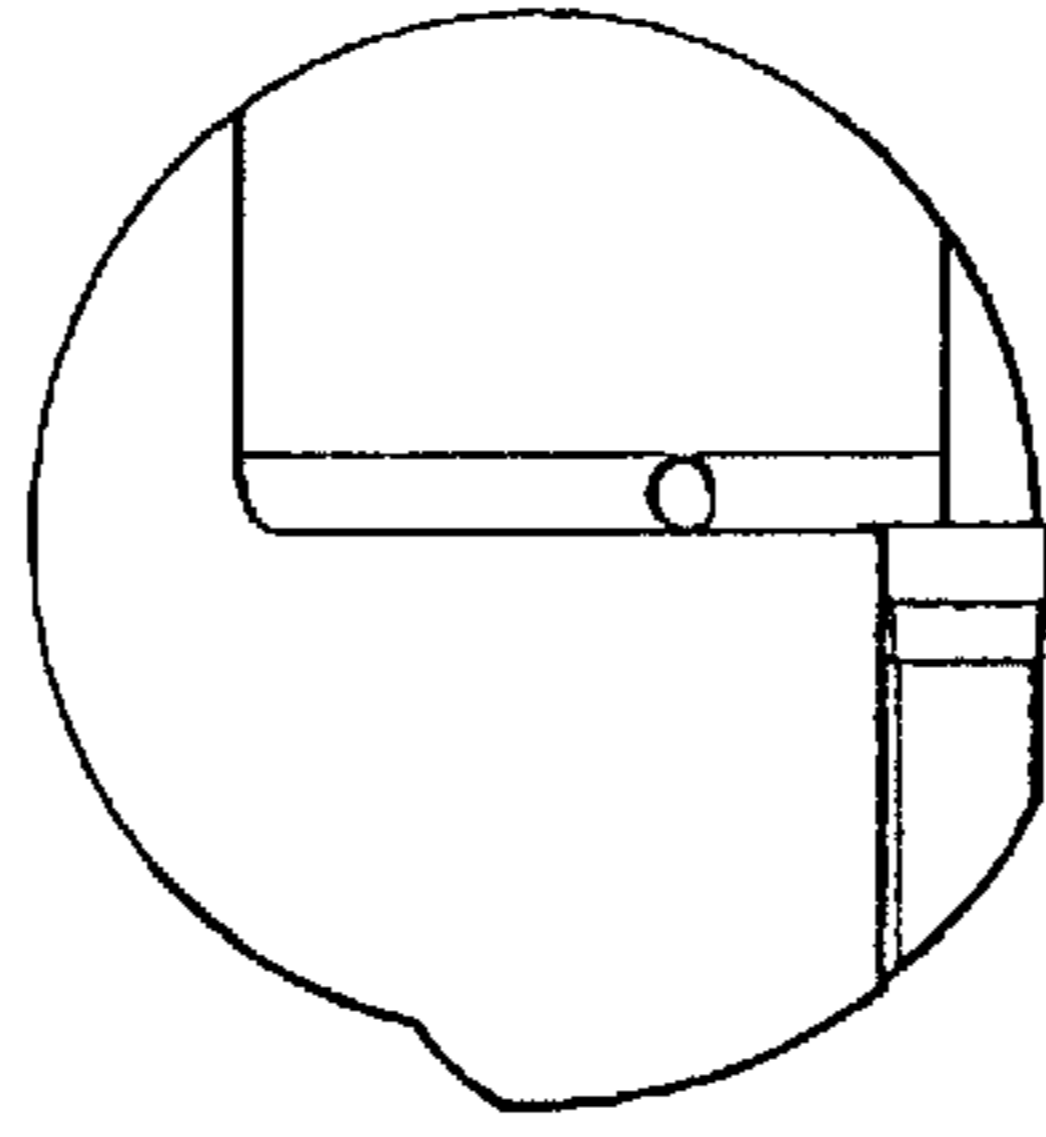


FIG. 20

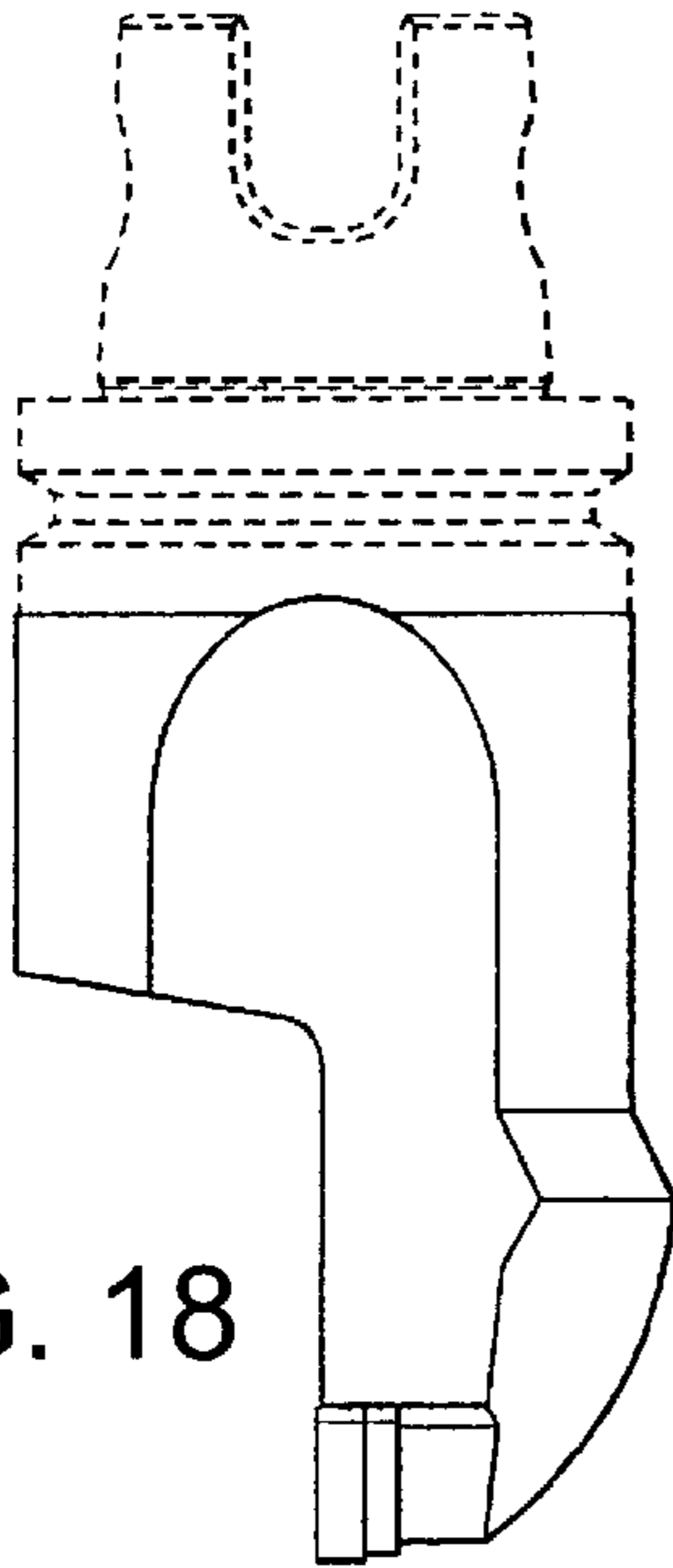


FIG. 18

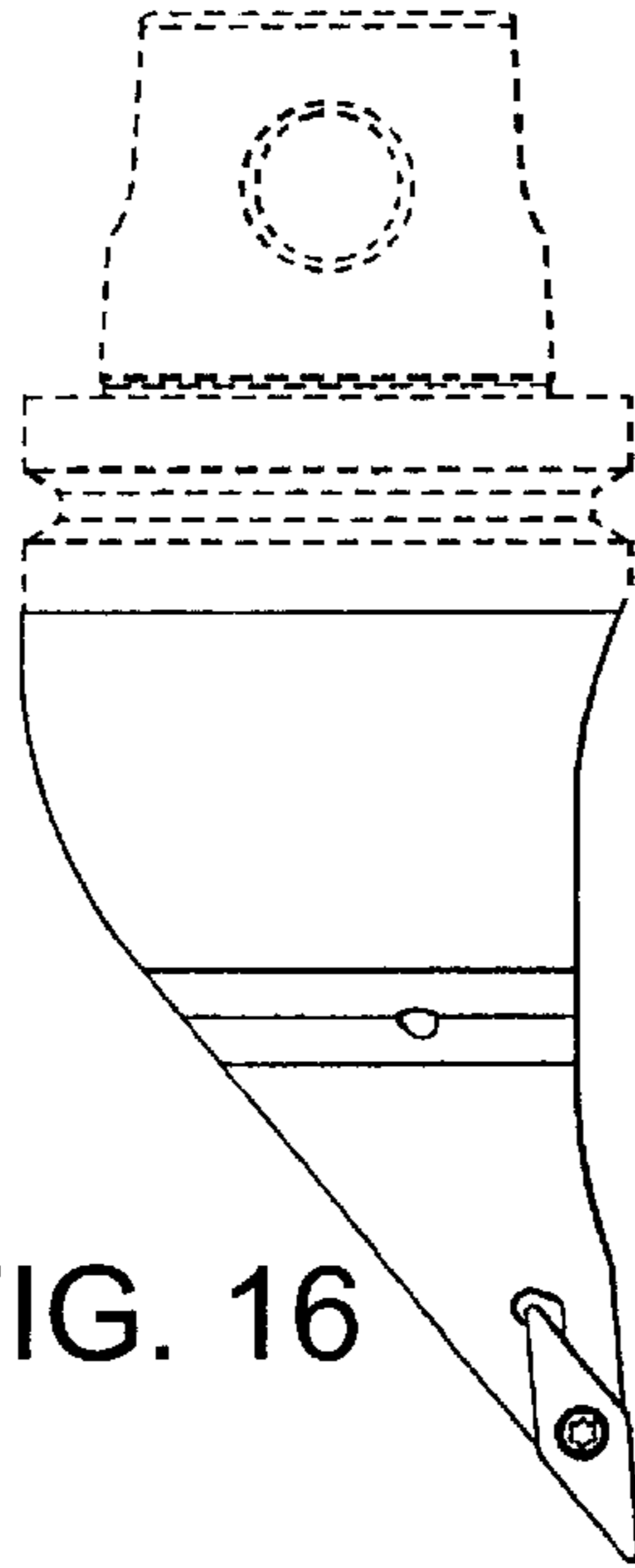


FIG. 16

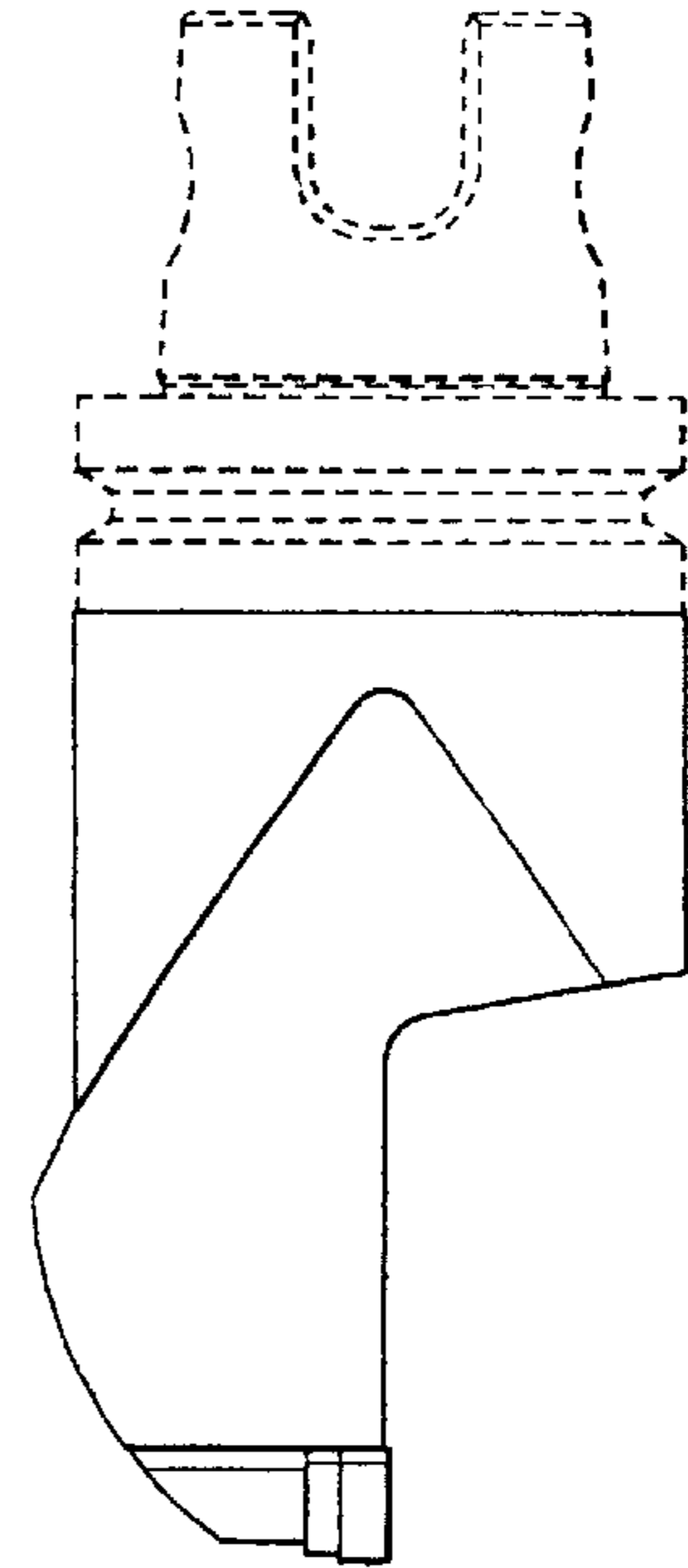


FIG. 19

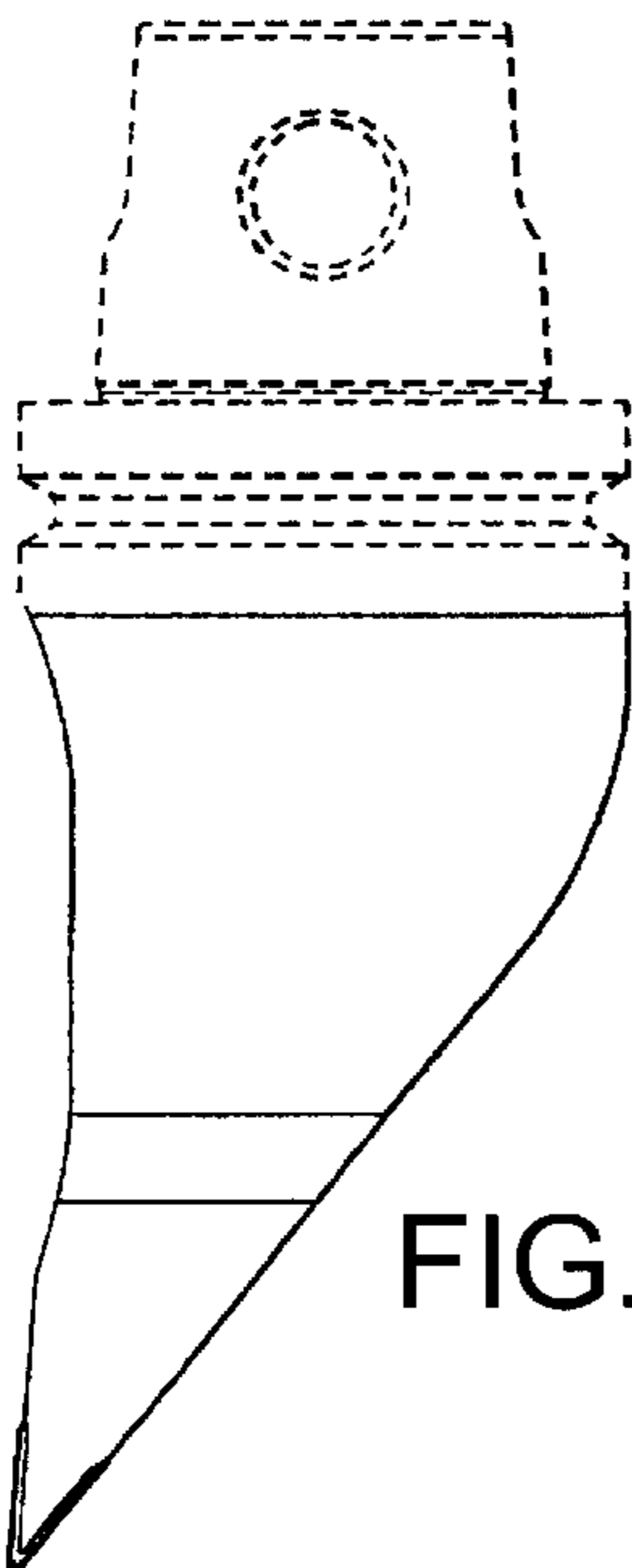


FIG. 17

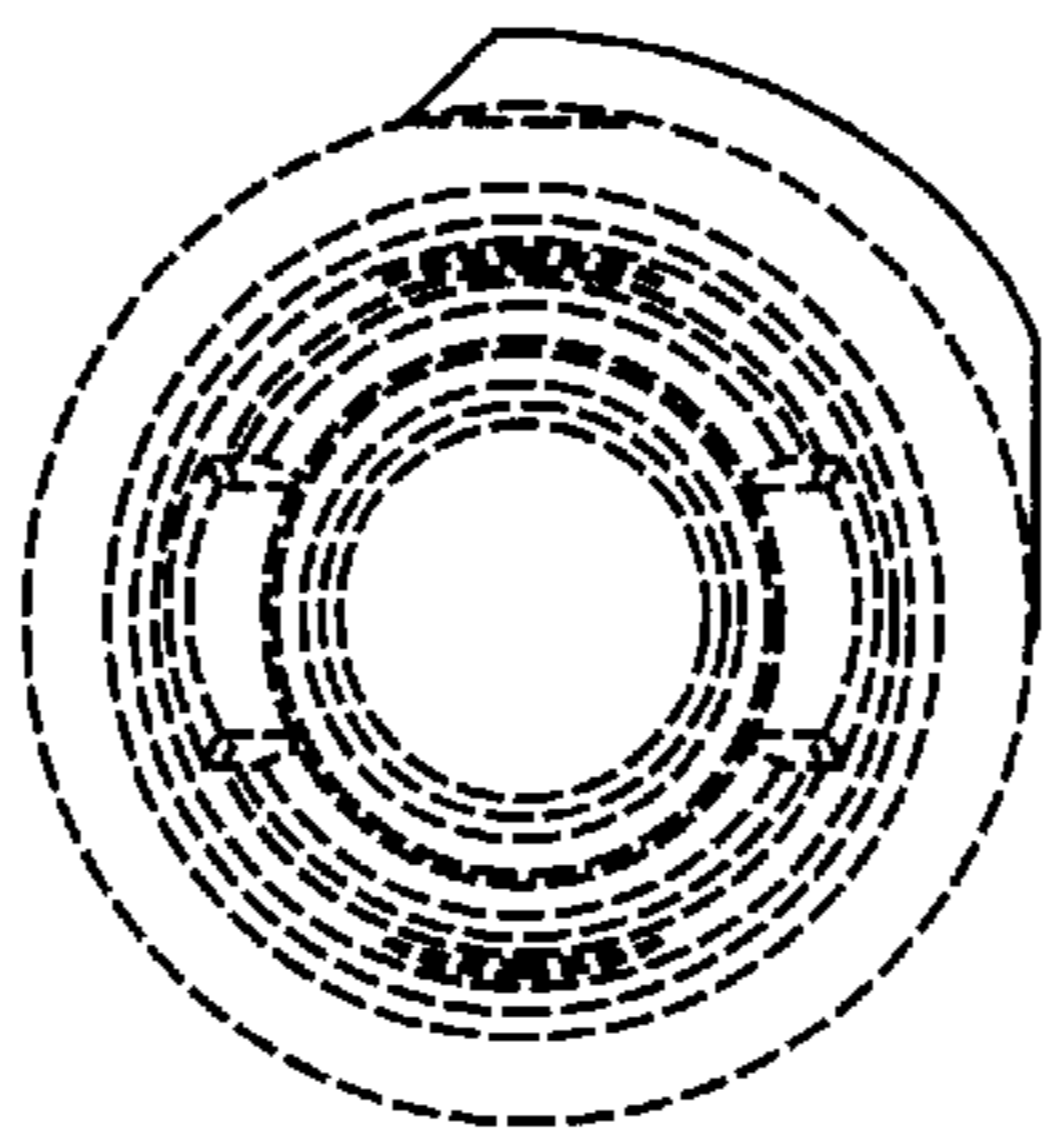


FIG. 21

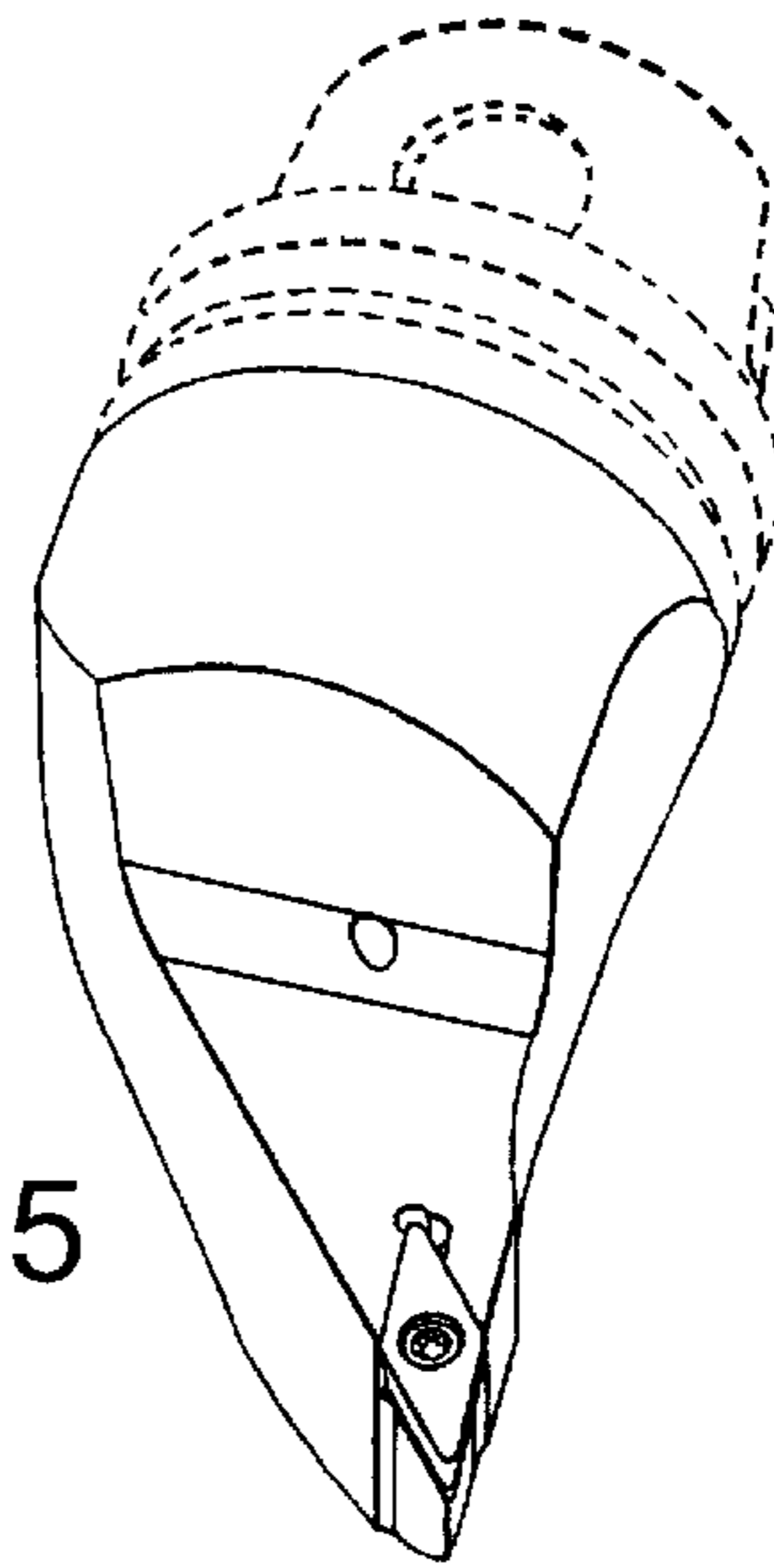


FIG. 15