



US00D475721S

(12) **United States Design Patent**
Harper et al.

(10) **Patent No.: US D475,721 S**

(45) **Date of Patent: ** Jun. 10, 2003**

(54) **COMPRESSOR SHROUD**

(75) Inventors: **Douglas R. Harper**, Harrison, OH (US); **James Louie Tobergtn**, Batavia, OH (US); **Tony Michael Guard**, Union, KY (US); **Min-Hsieng Wang**, Taipei (TW); **Joseph Robert Stephens**, Middletown, OH (US)

(73) Assignee: **Campbell Hausfeld/Scott Fetzer Company**, Harrison, OH (US)

(**) Term: **14 Years**

(21) Appl. No.: **29/156,415**

(22) Filed: **Feb. 27, 2002**

(51) **LOC (7) Cl. 05-01**

(52) **U.S. Cl. D15/9**

(58) **Field of Search** D15/7-9; 417/415, 417/419, 234, 229, 321, 410-411, 265, 360; D26/39; 248/645, 675

(56) **References Cited**

U.S. PATENT DOCUMENTS

D352,292 S	*	11/1994	Morgan	D15/9
D352,293 S	*	11/1994	Morgan	D15/9
D352,294 S	*	11/1994	Morgan	D15/9
D398,011 S	*	9/1998	Wang	D15/9
D434,048 S		11/2000	Orschell et al.		
D441,376 S	*	5/2001	Gohil et al.	D15/7
D443,881 S	*	6/2001	Tsai	D15/7

* cited by examiner

Primary Examiner—Ralf Seifert

(74) *Attorney, Agent, or Firm*—Jones Day

(57) **CLAIM**

We claim the ornamental design for a compressor shroud, as shown and described.

DESCRIPTION

FIG. 1 is a perspective view of a compressor shroud comprising a first embodiment of the ornamental design of the present invention, the view indicating recesses with broken lines;

FIG. 2 is a side view of the compressor shroud of FIG. 1; FIG. 3 is an opposite side view of the compressor shroud of FIG. 1;

FIG. 4 is a front view of the compressor shroud of FIG. 1; FIG. 5 is a rear view of the compressor shroud of FIG. 1;

FIG. 6 is a top view of the compressor shroud of FIG. 1; FIG. 7 is a bottom view of the compressor shroud of FIG. 1;

FIG. 8 is a perspective view of a compressor shroud comprising a second embodiment of the ornamental design of the present invention, indicating some of the recesses with solid lines;

FIG. 9 is a side view of the compressor shroud of FIG. 8; FIG. 10 is an opposite side view of the compressor shroud of FIG. 8;

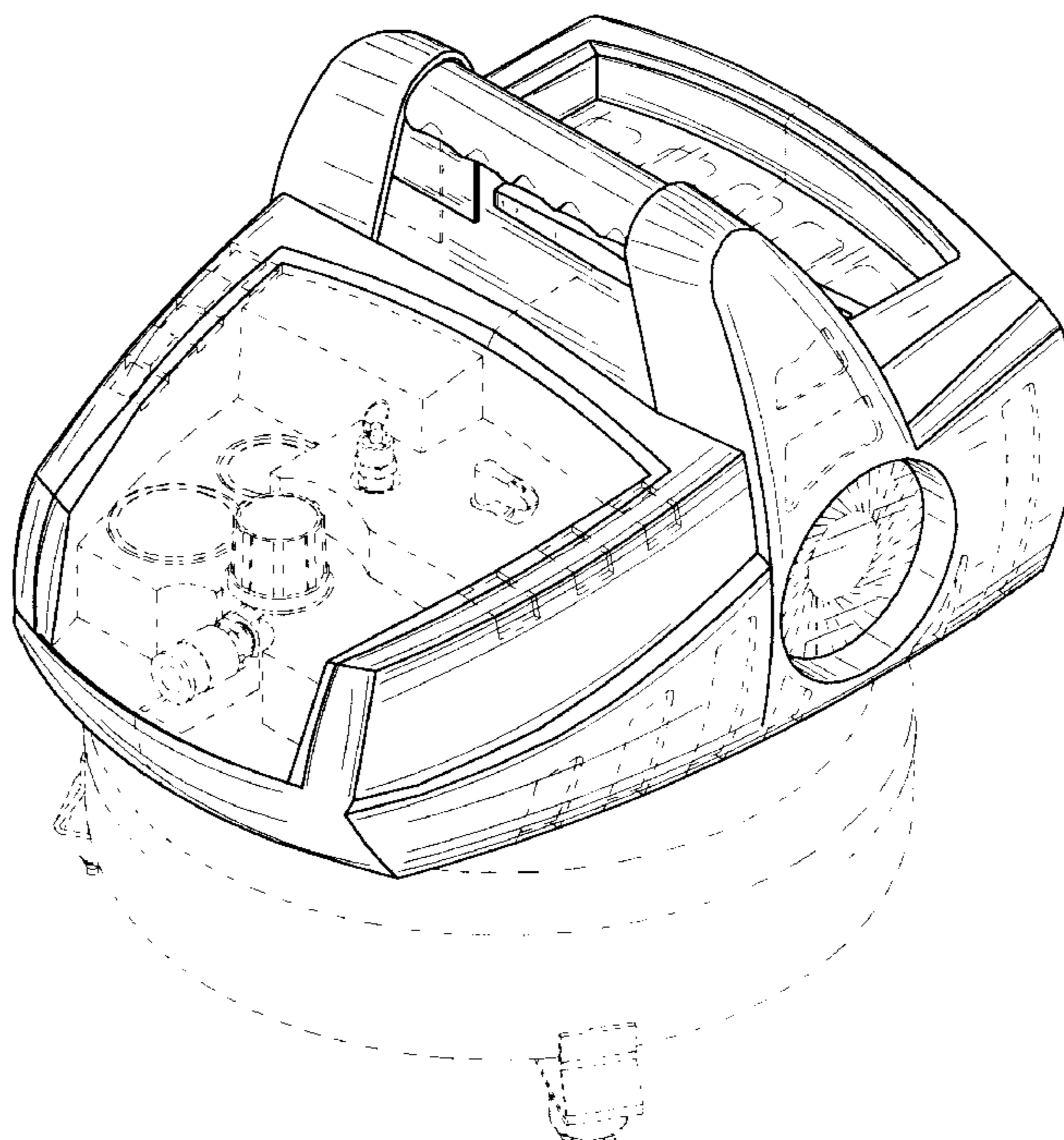
FIG. 11 is a front view of the compressor shroud of FIG. 8; FIG. 12 is a rear view of the compressor shroud of FIG. 8;

FIG. 13 is a top view of the compressor shroud of FIG. 8; and,

FIG. 14 is a bottom view of the compressor shroud of FIG. 8.

The broken line showings in FIGS. 1-14 are for illustrative purposes only and form no part of the claimed design.

1 Claim, 8 Drawing Sheets



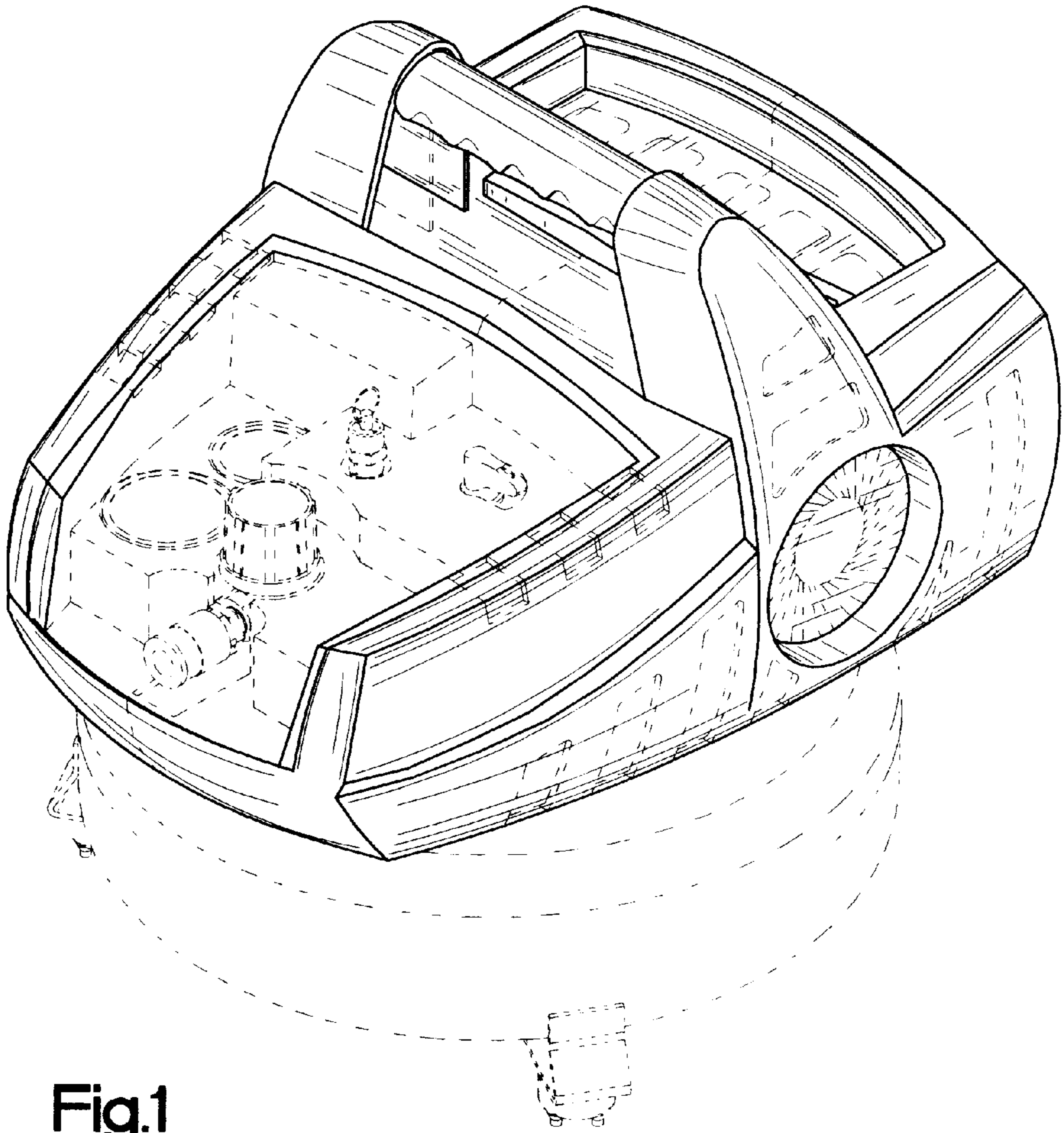


Fig.1

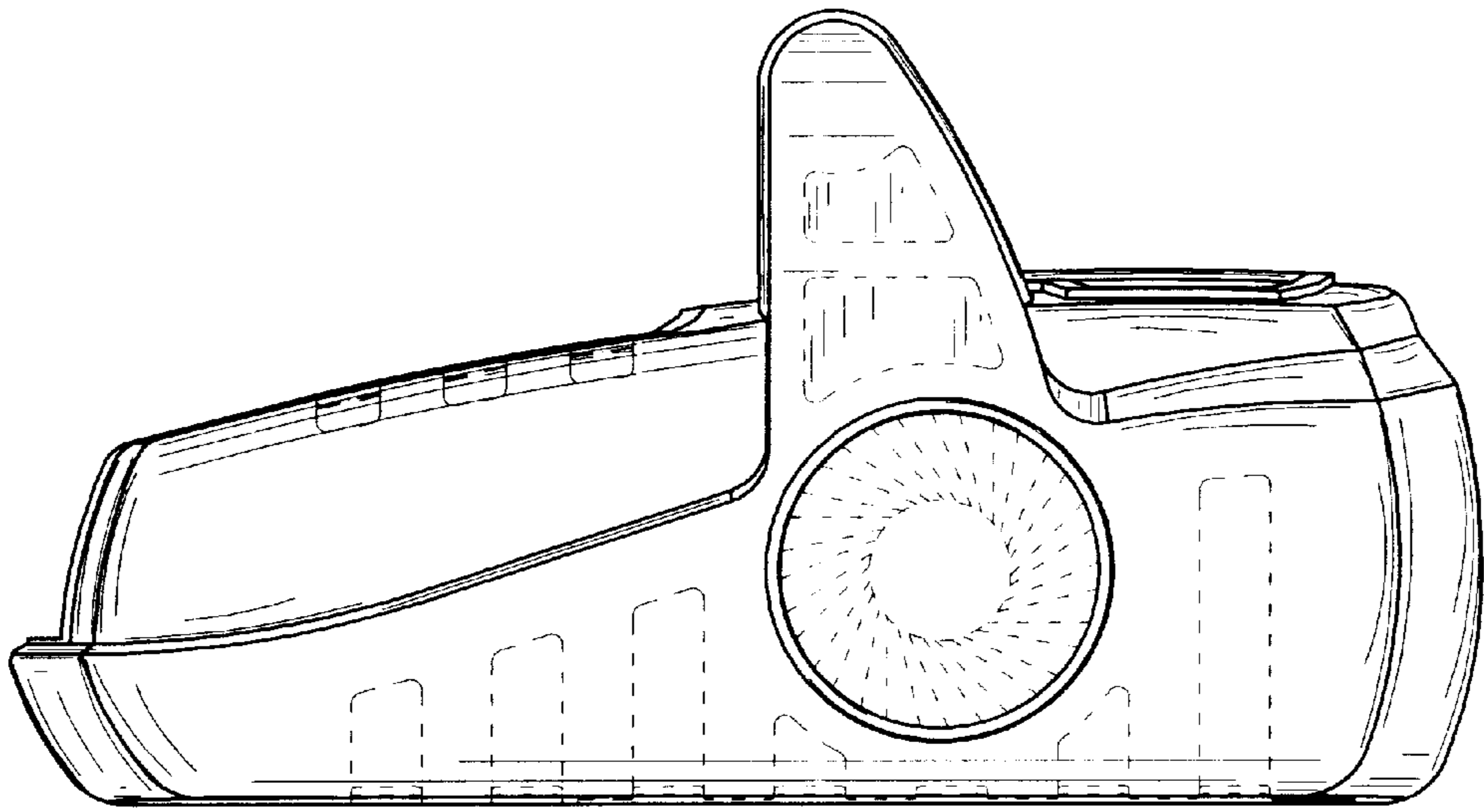


Fig.2

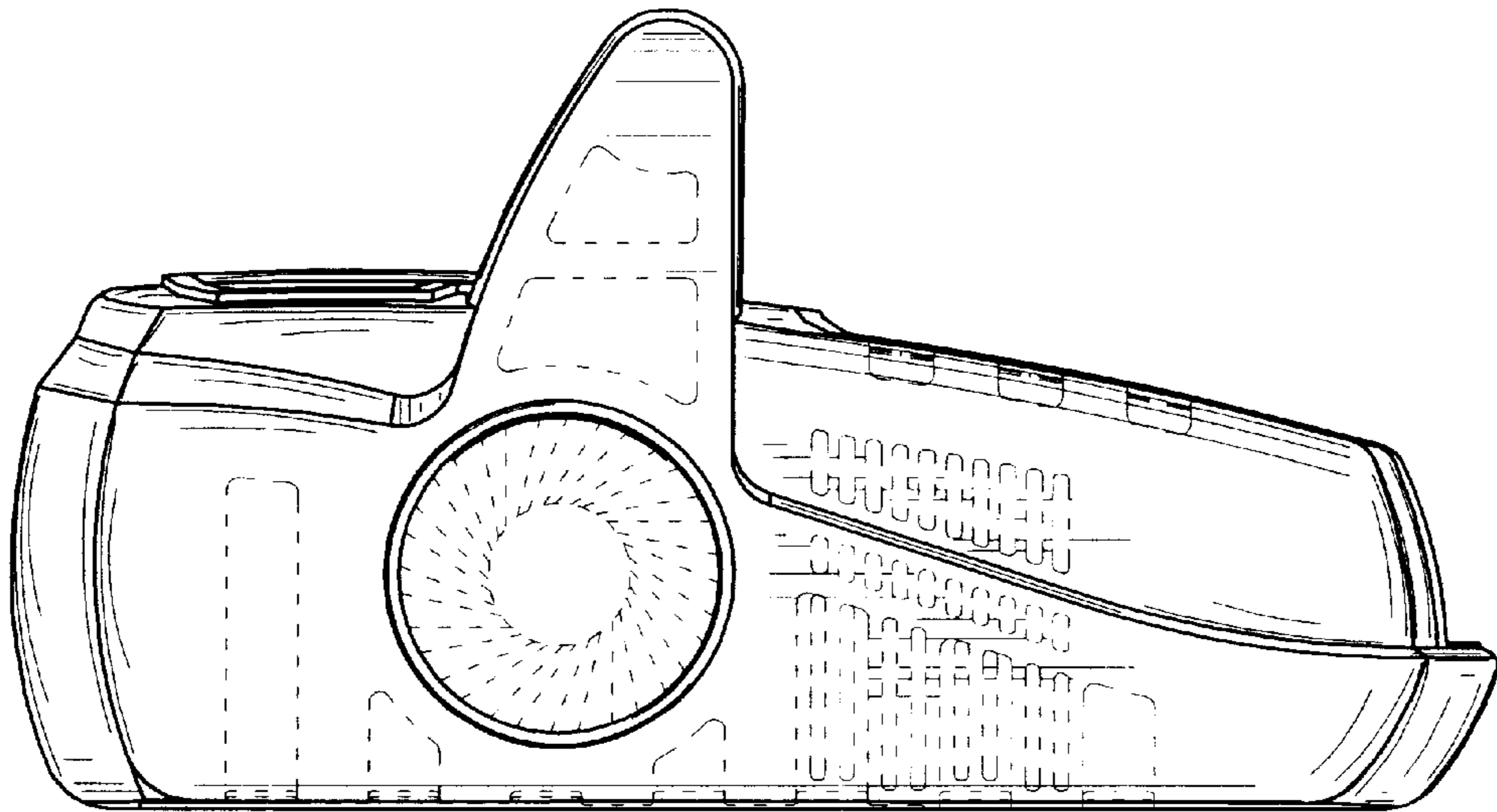


Fig.3

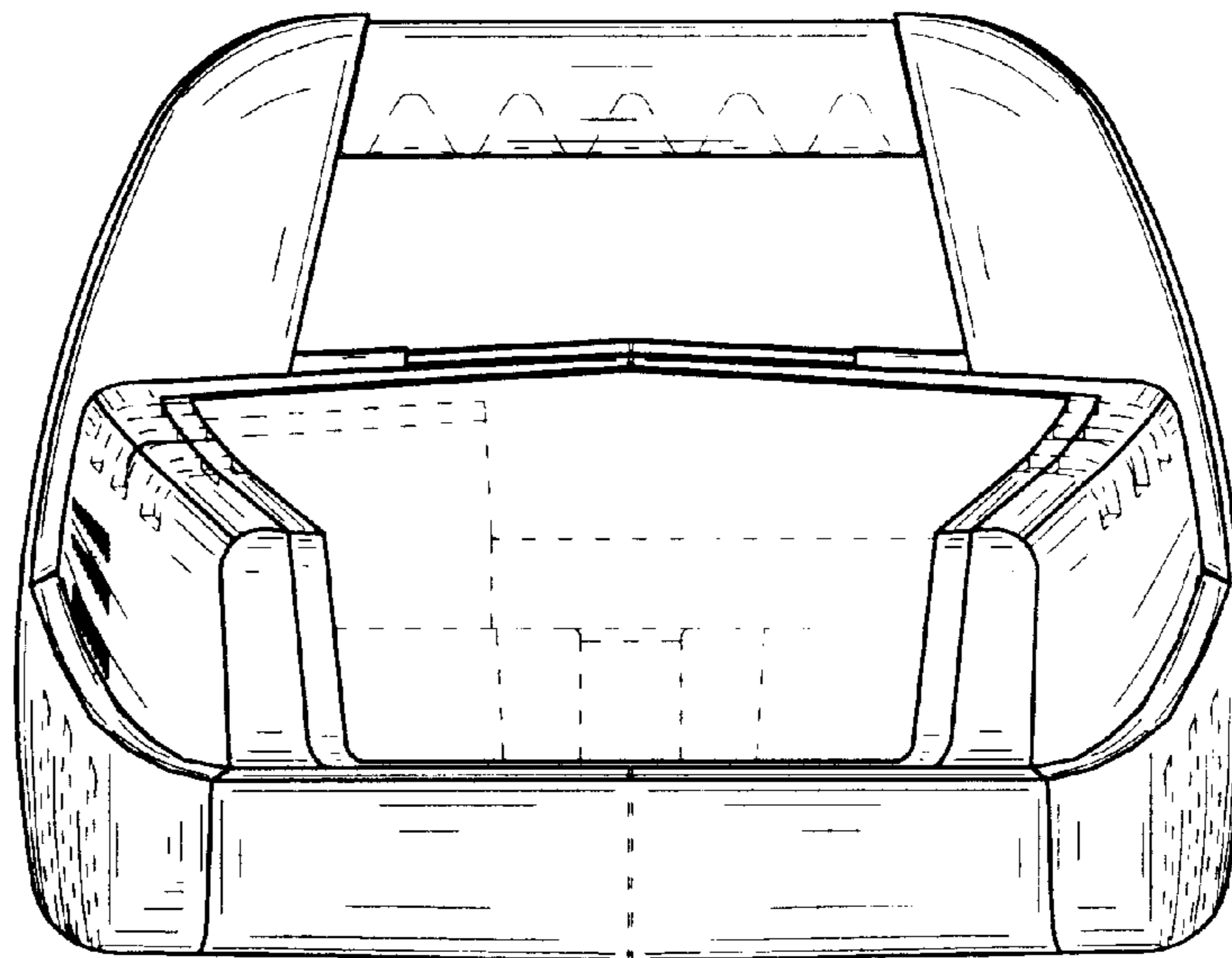


Fig.4

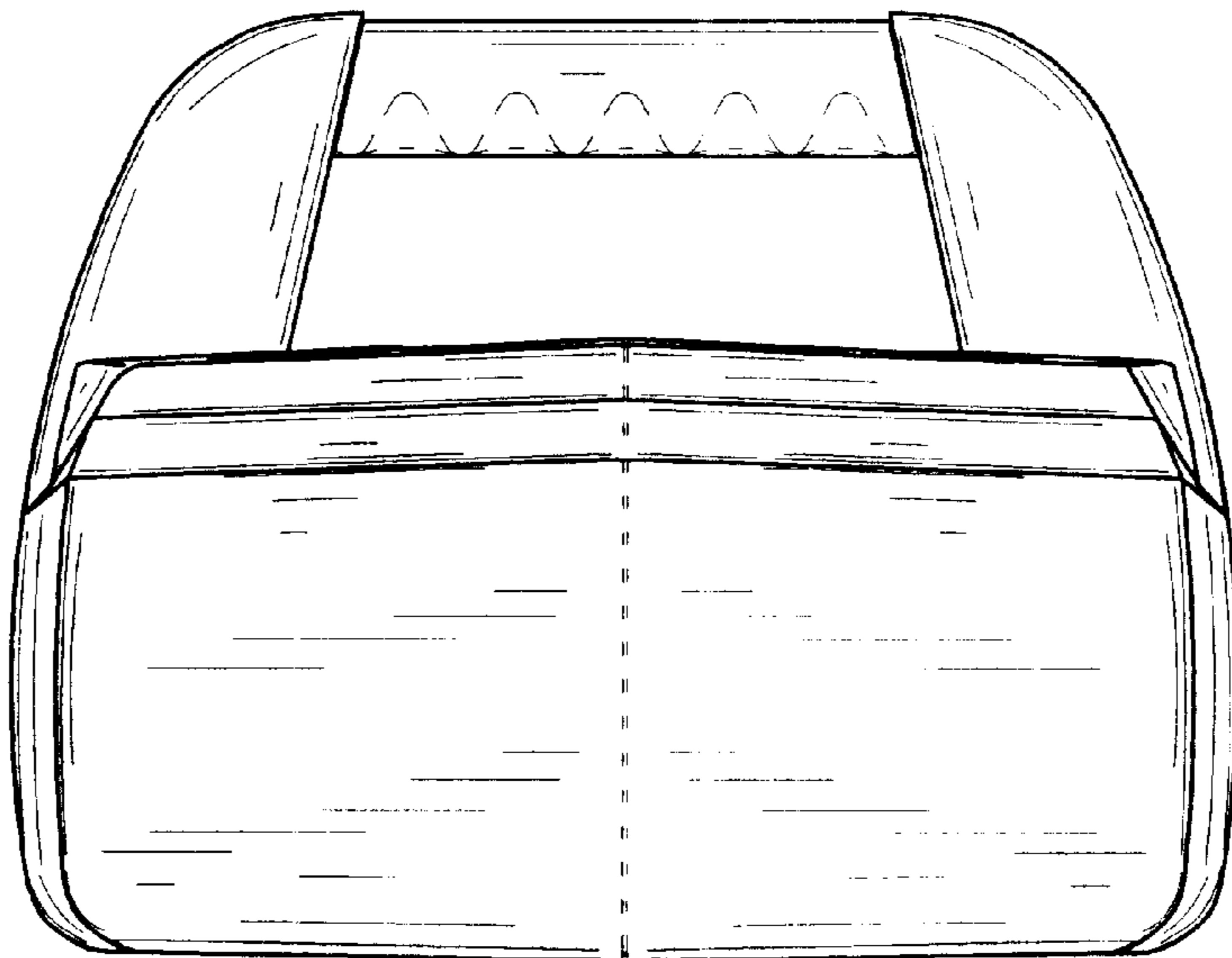


Fig.5

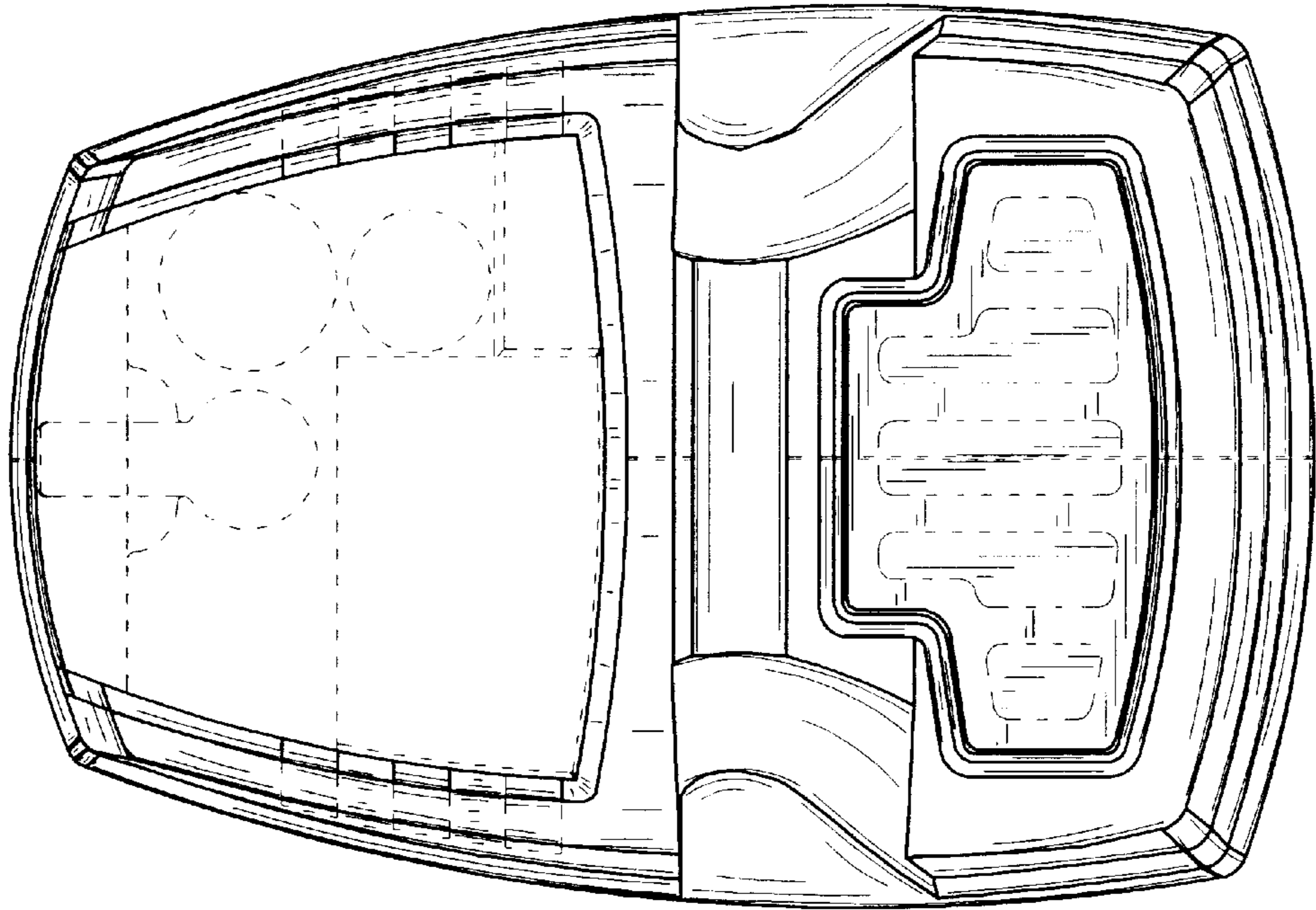


Fig.6

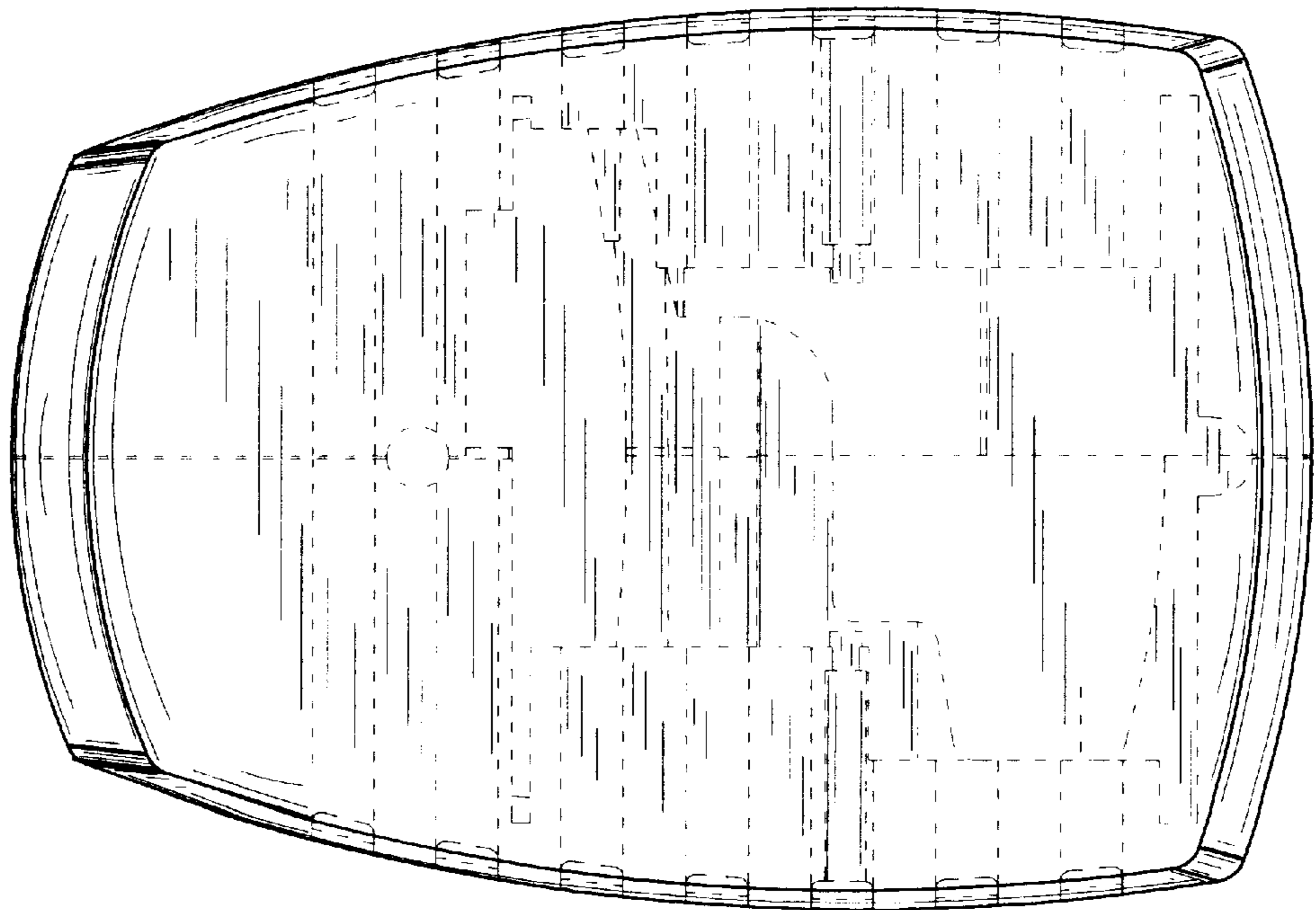


Fig.7

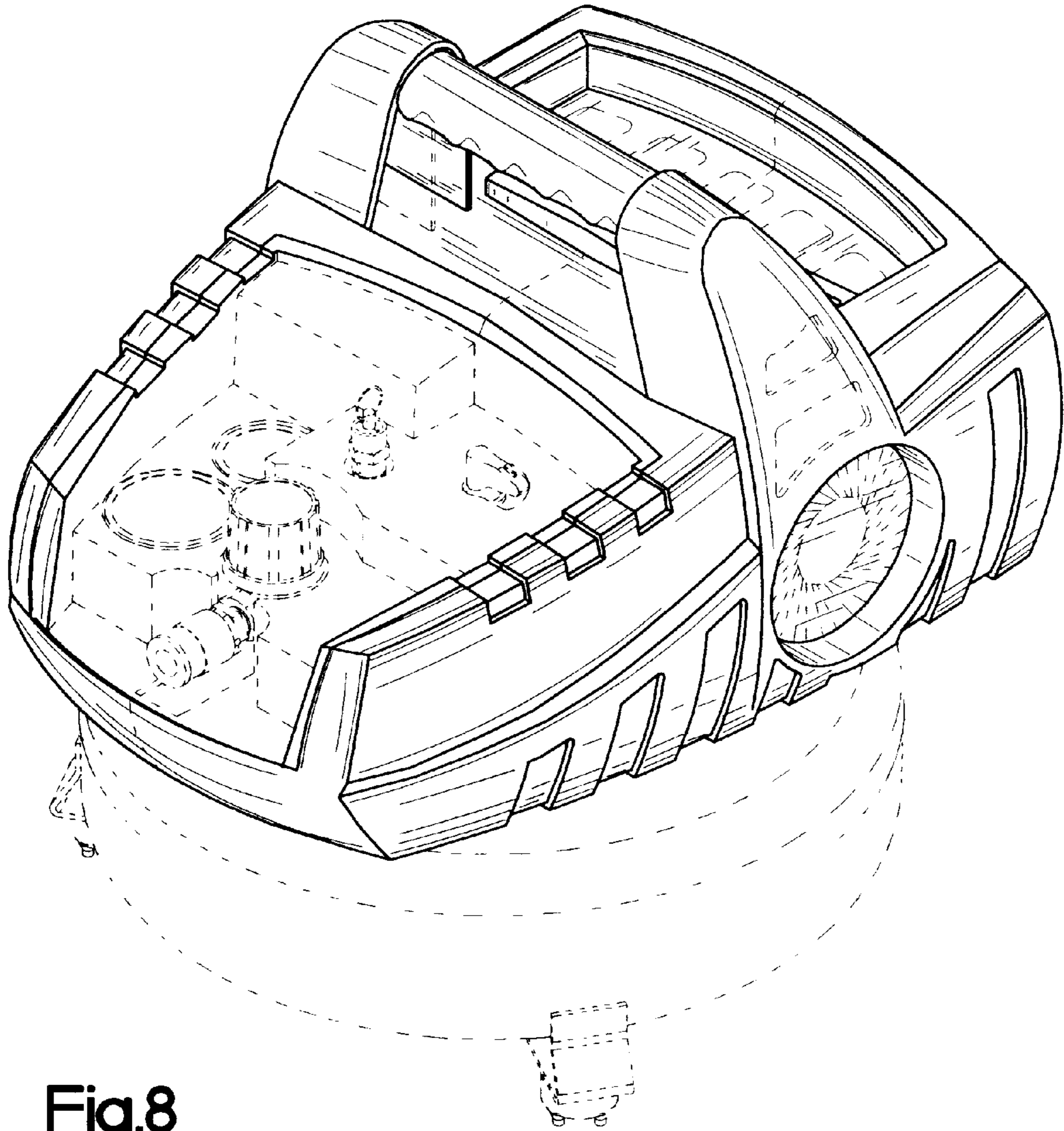


Fig.8

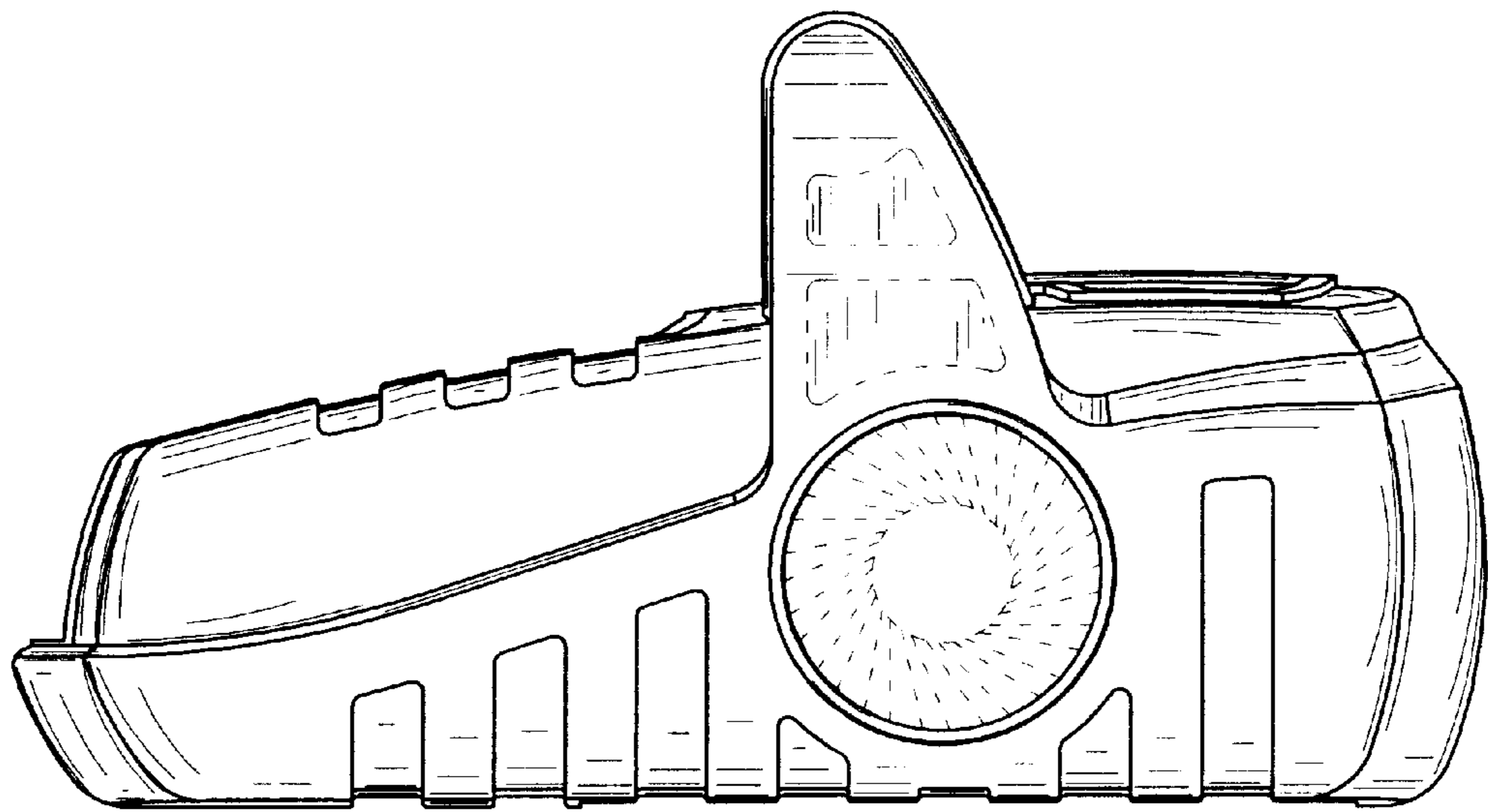


Fig.9

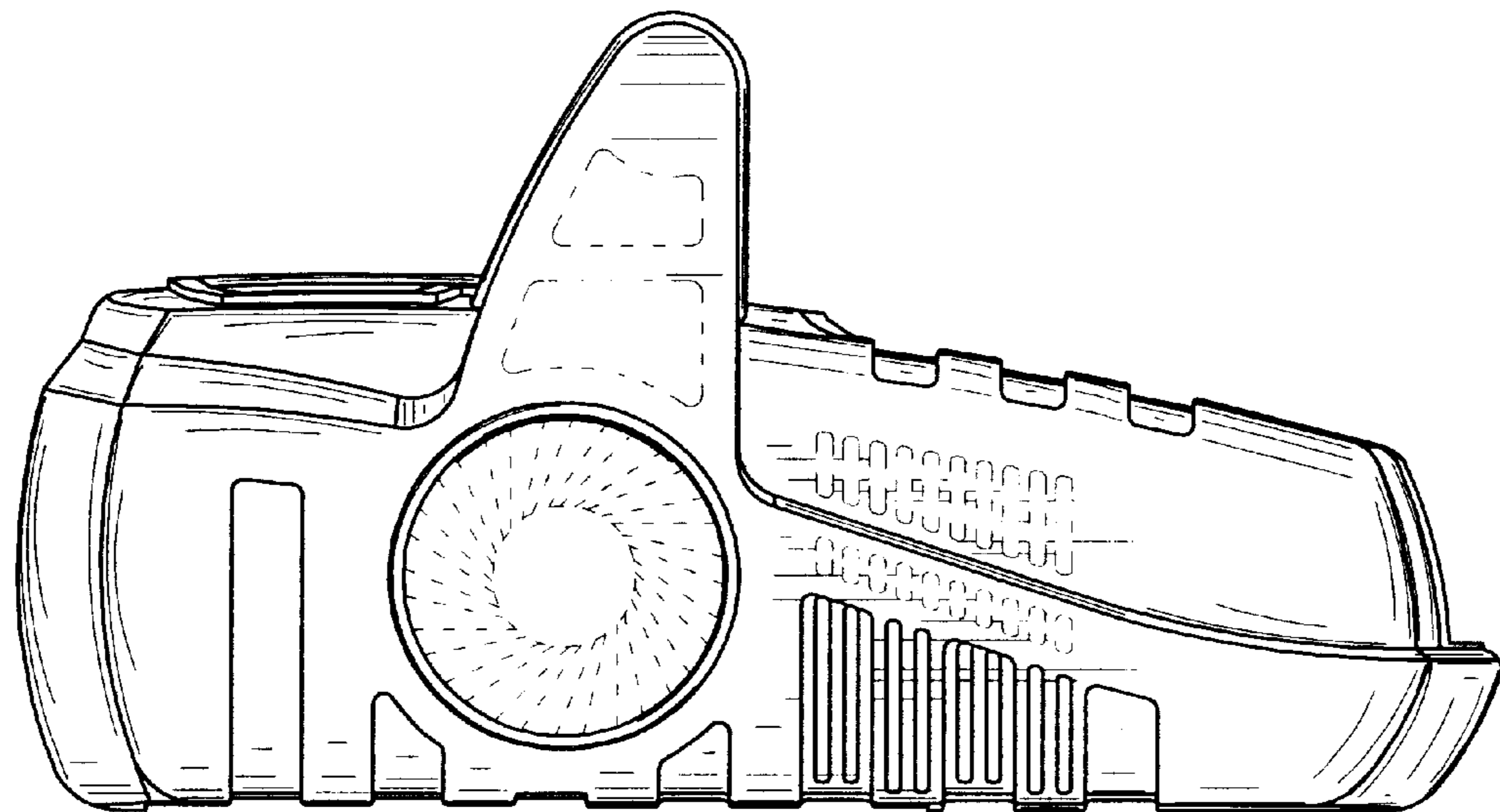


Fig.10

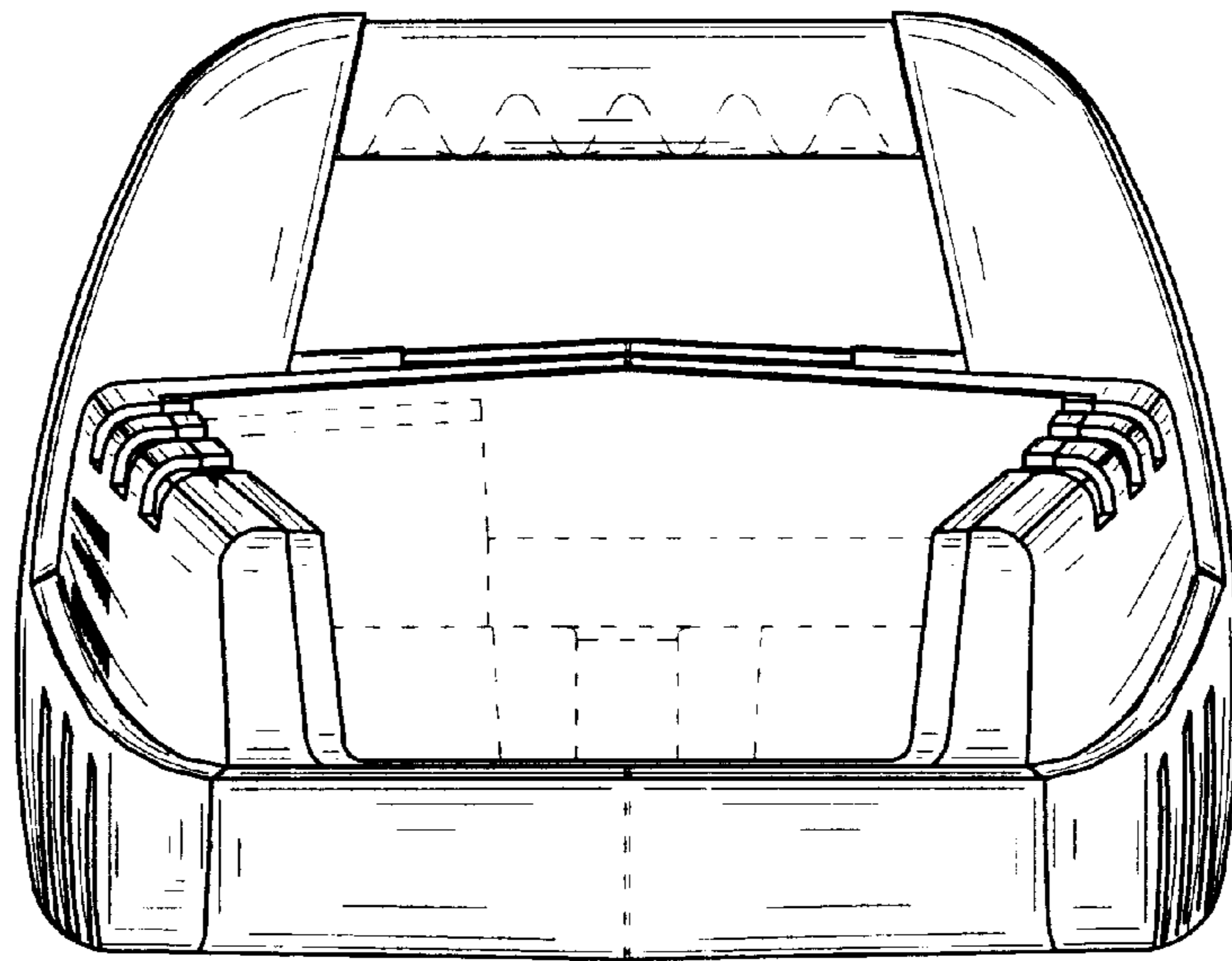


Fig.11

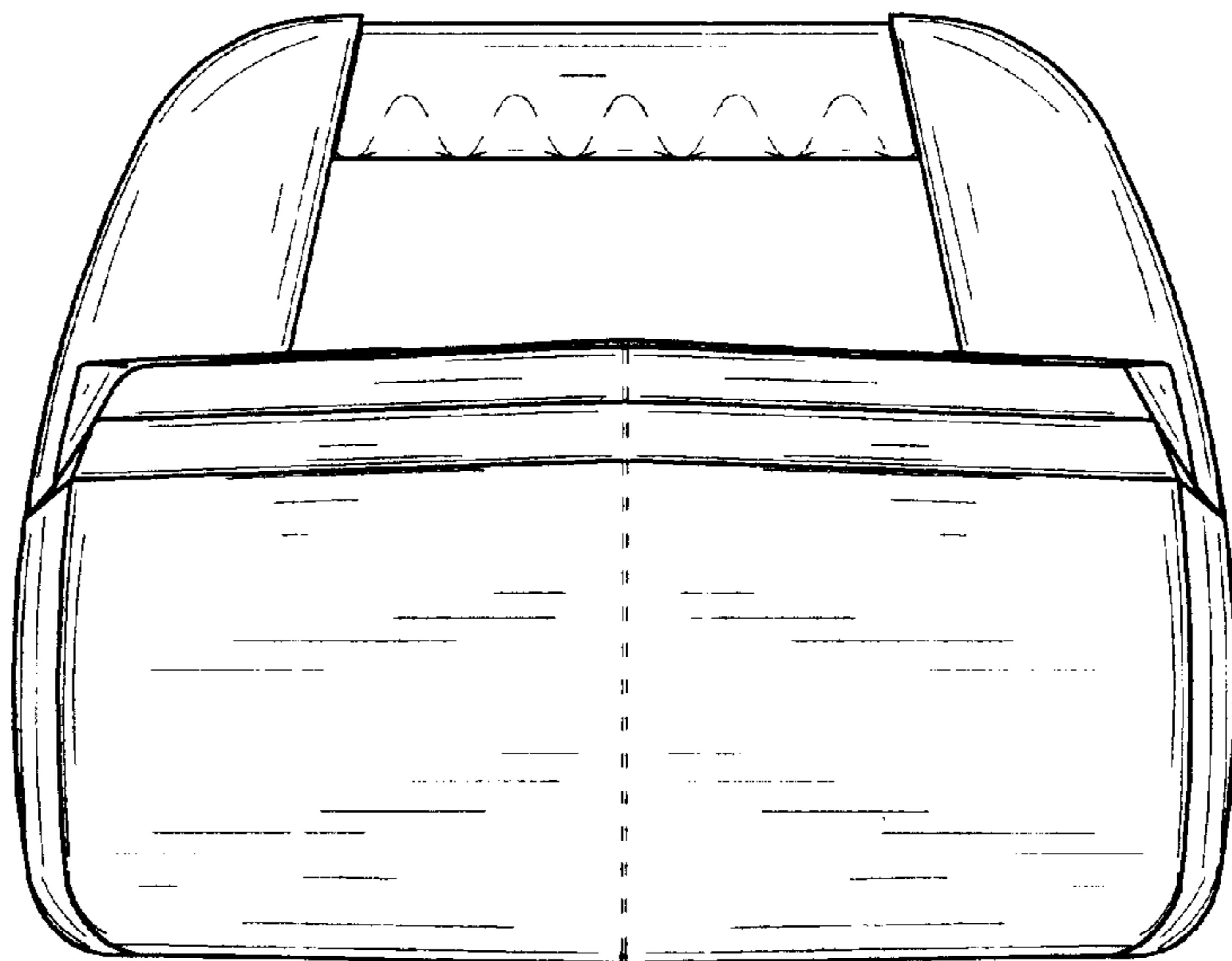


Fig.12

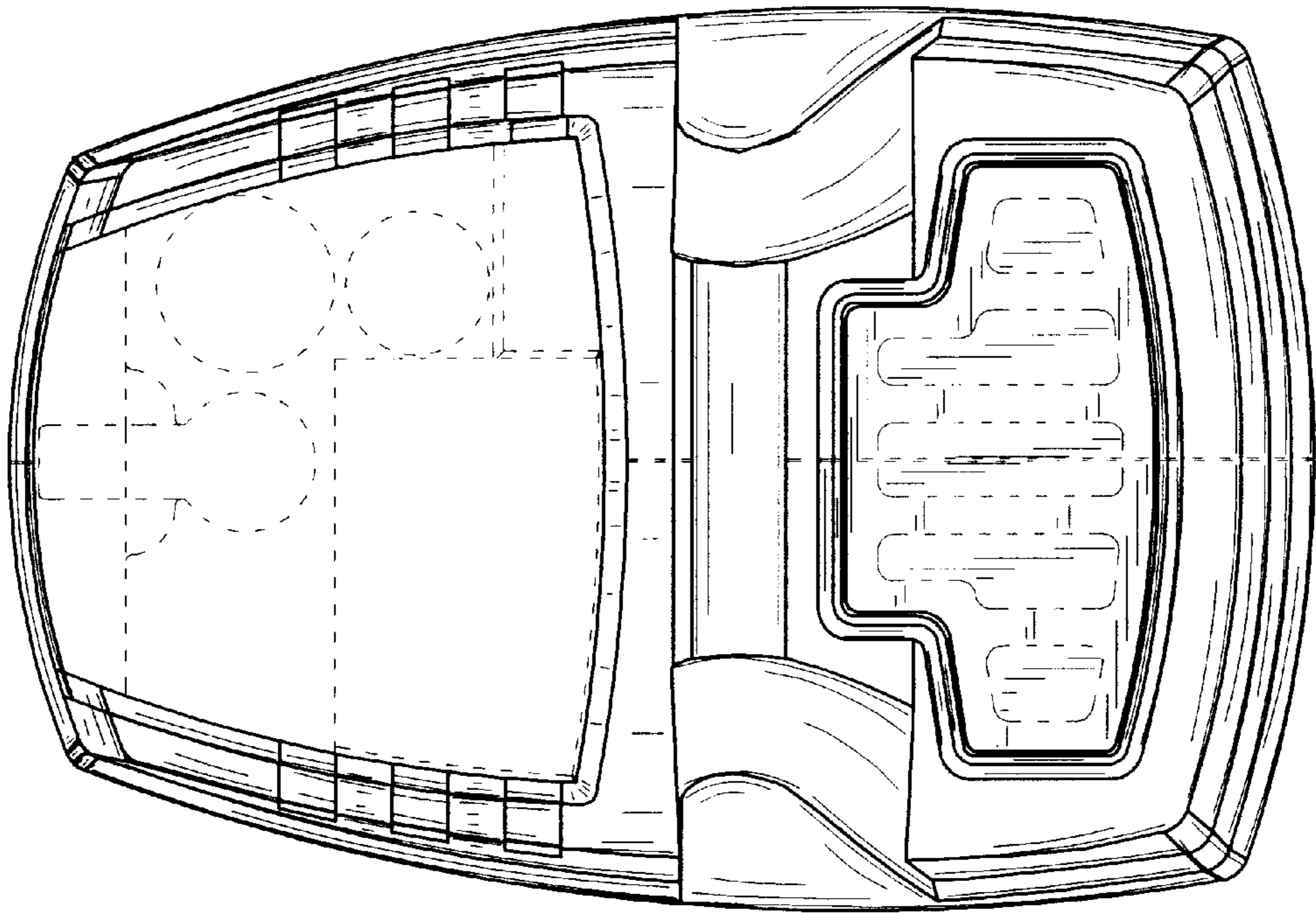


Fig.13

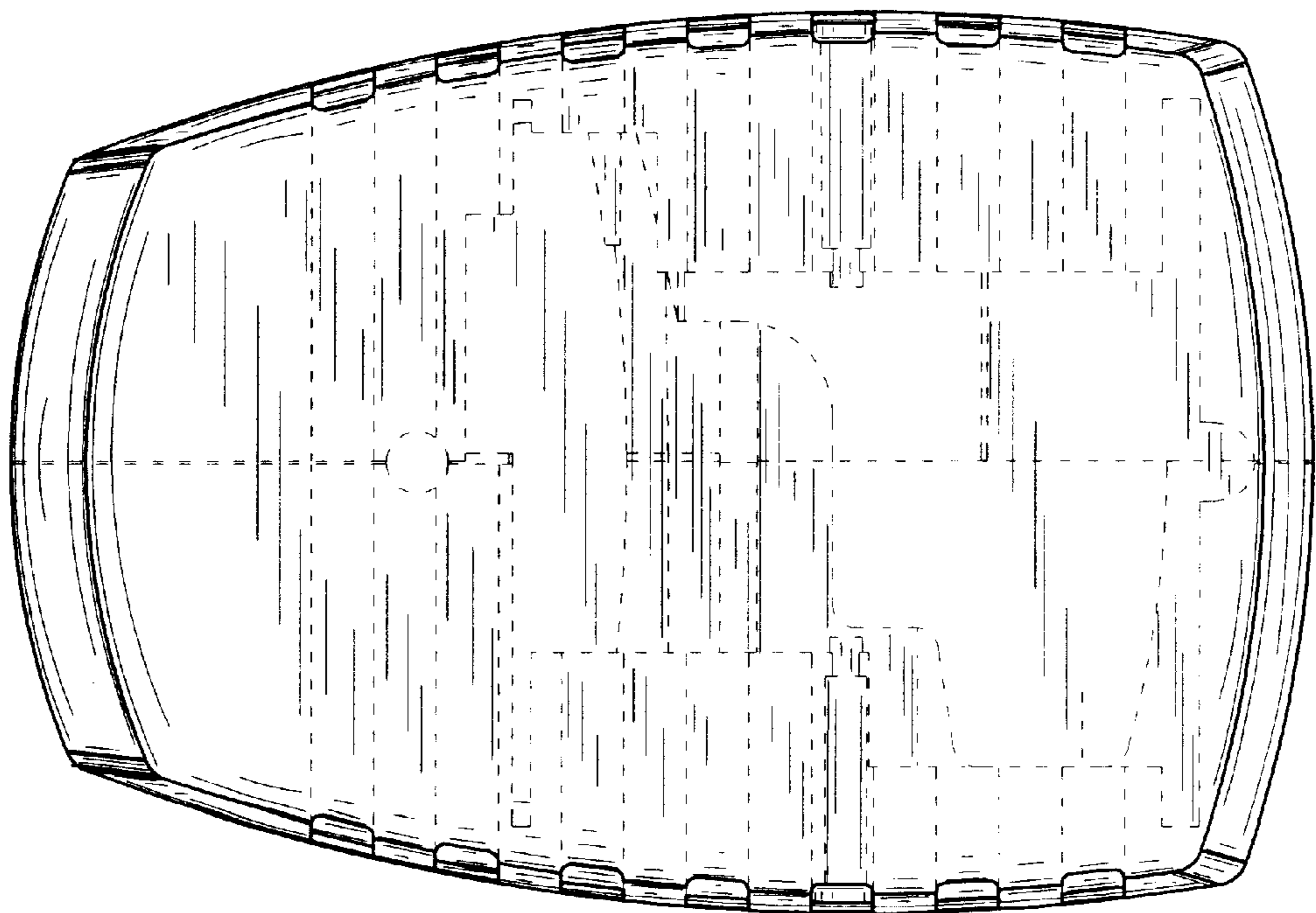


Fig.14