



US00D475706S

(12) **United States Design Patent**
Lin

(10) **Patent No.:** **US D475,706 S**

(45) **Date of Patent:** **** Jun. 10, 2003**

(54) **LCD DISPLAY**

(75) Inventor: **Roger Lin**, Taipei (TW)

(73) Assignee: **HannStar Display Corp.**, Taipei (TW)

(**) Term: **14 Years**

(21) Appl. No.: **29/161,058**

(22) Filed: **May 22, 2002**

(51) **LOC (7) Cl.** **14-02**

(52) **U.S. Cl.** **D14/371**

(58) **Field of Search** D14/125-130,
D14/371, 374-376; D16/227; D21/328,
329, 315, 333, 515; 341/12; 345/104, 156,
168, 173, 87; 348/180, 184, 325, 739; 349/1,
2, 11, 62; 248/918-924; 40/594

(56) **References Cited**

U.S. PATENT DOCUMENTS

D221,968 S	*	9/1971	Fieldhouse	D21/329
D398,659 S	*	9/1998	Yokoi	D21/333
D401,605 S	*	11/1998	Shirley	D16/227
D434,399 S	*	11/2000	Lanet	D14/130
D453,511 S	*	2/2002	Goto	D14/371

* cited by examiner

Primary Examiner—Freda Nunn

(74) *Attorney, Agent, or Firm*—Merchant & Gould; Tim Tingkang Xia

(57) **CLAIM**

The ornamental design for an LCD display, as shown and described.

DESCRIPTION

FIG. 1 is a front perspective view of an LCD display showing my design;

FIG. 2 is a right side elevational view of the embodiment shown in FIG. 1 thereof;

FIG. 3 is a top plane view of the embodiment shown in FIG. 1 thereof;

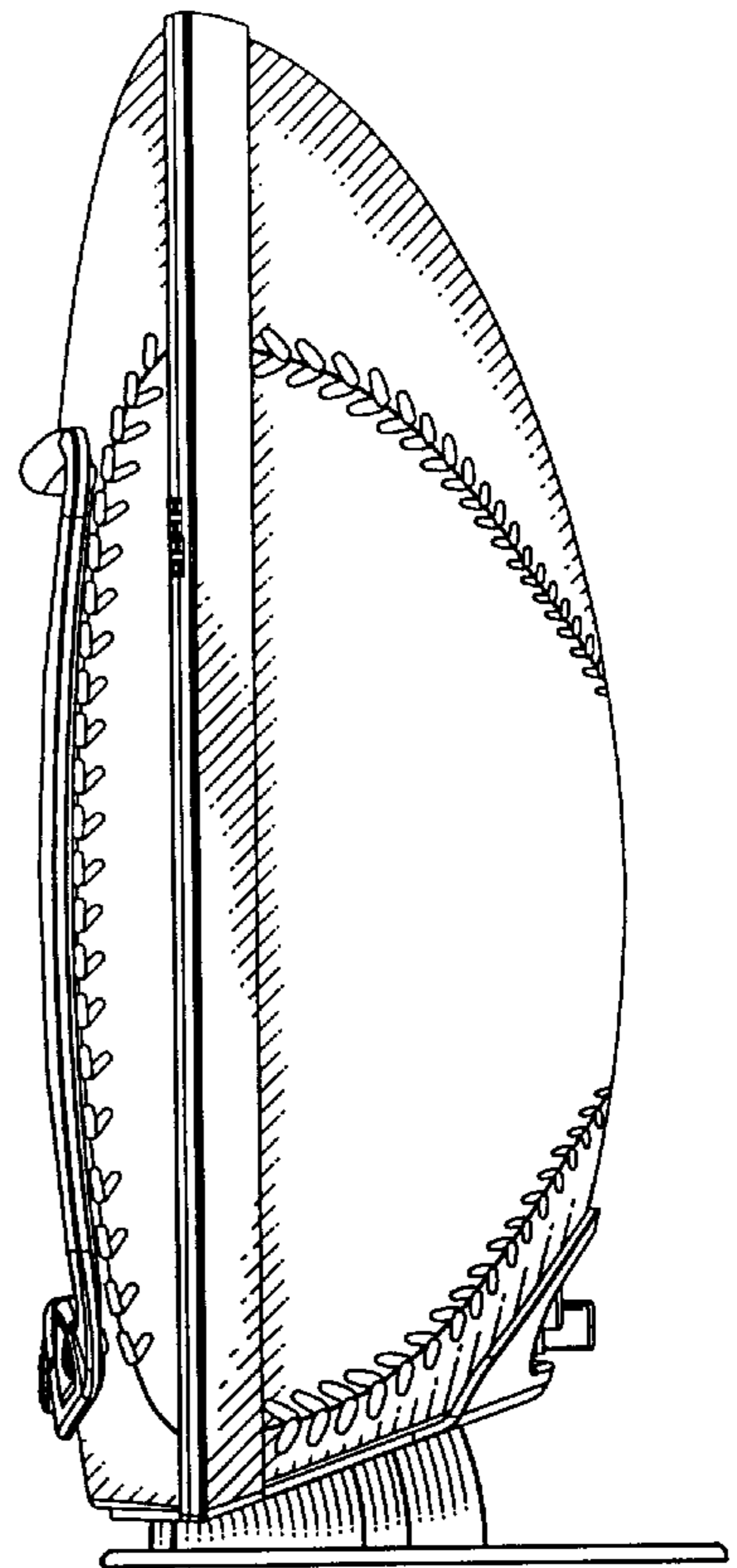
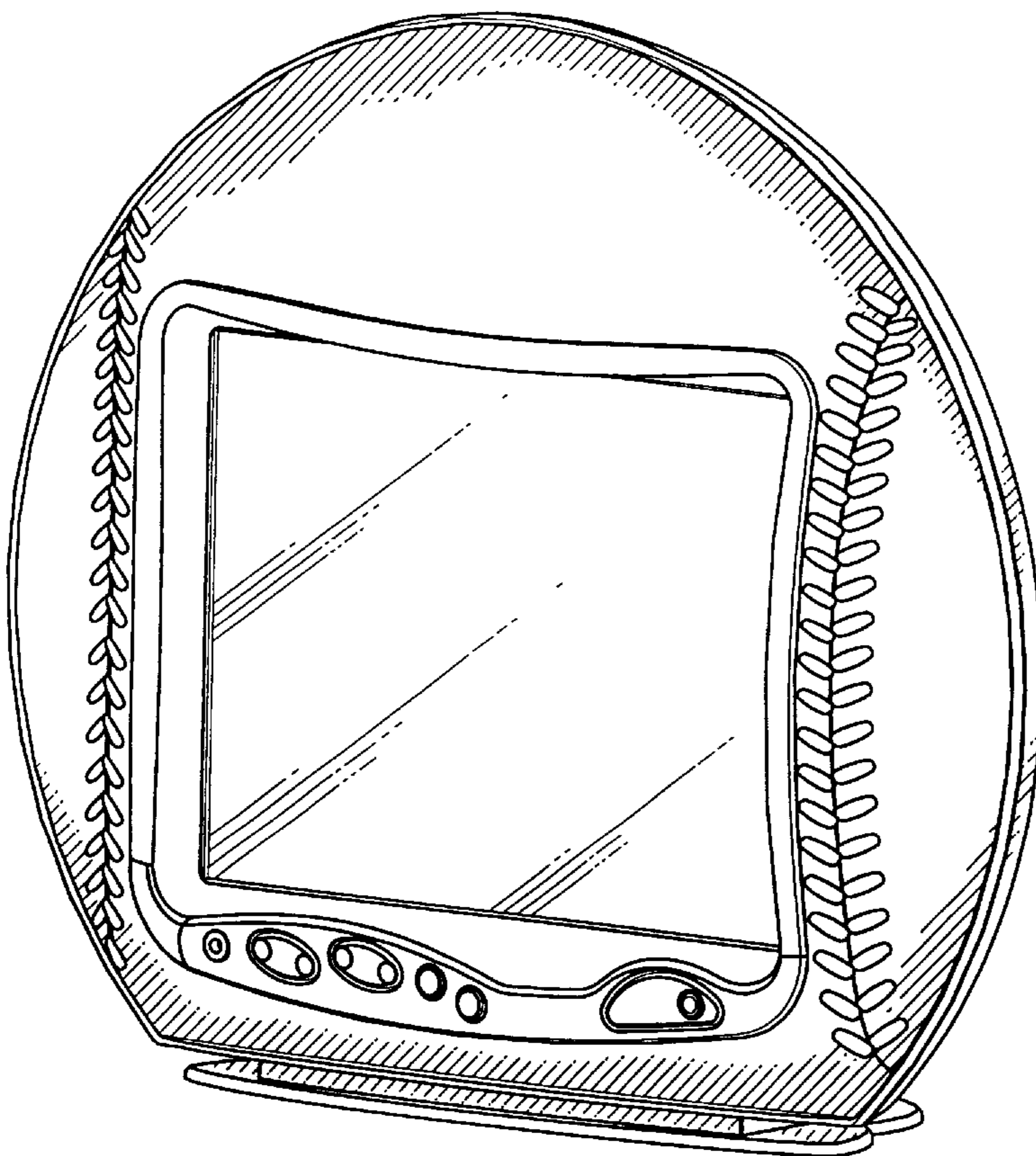
FIG. 4 is a front elevational view of the embodiment shown in FIG. 1 thereof;

FIG. 5 is a bottom plane view of the embodiment shown in FIG. 1 thereof;

FIG. 6 is a left side elevational view of the embodiment shown in FIG. 1 thereof; and,

FIG. 7 is a rear elevational view of the embodiment shown in FIG. 1 thereof.

1 Claim, 7 Drawing Sheets



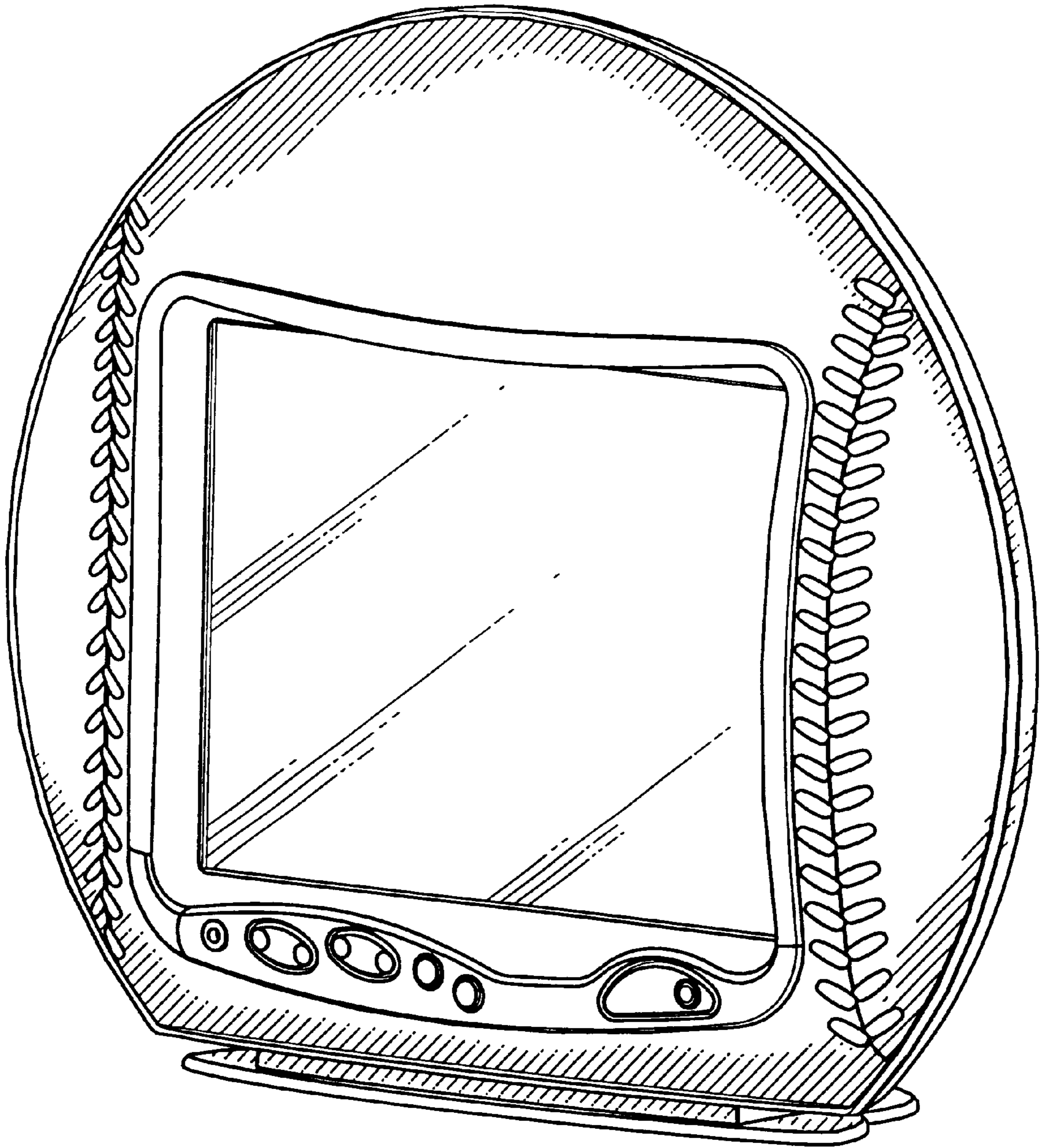


FIG. 1

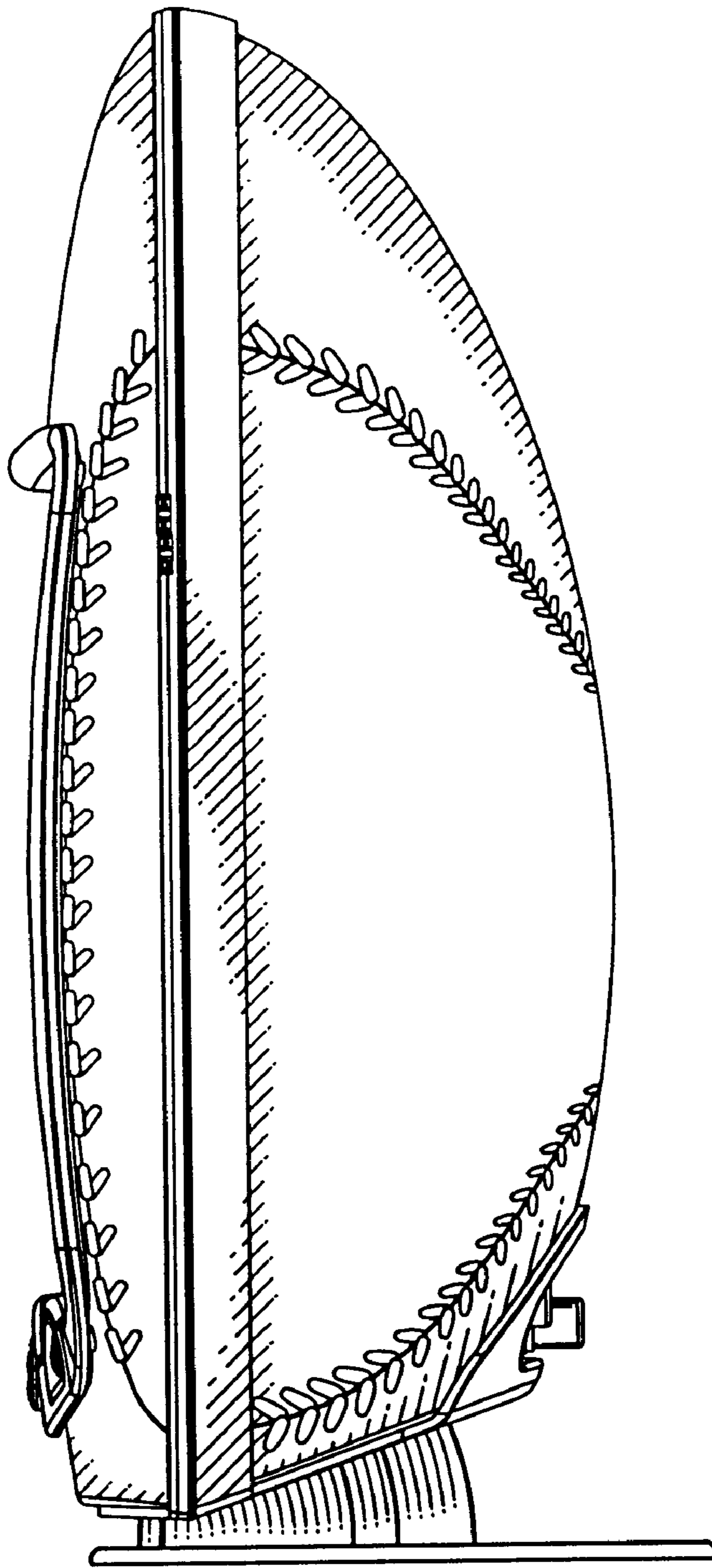


FIG. 2

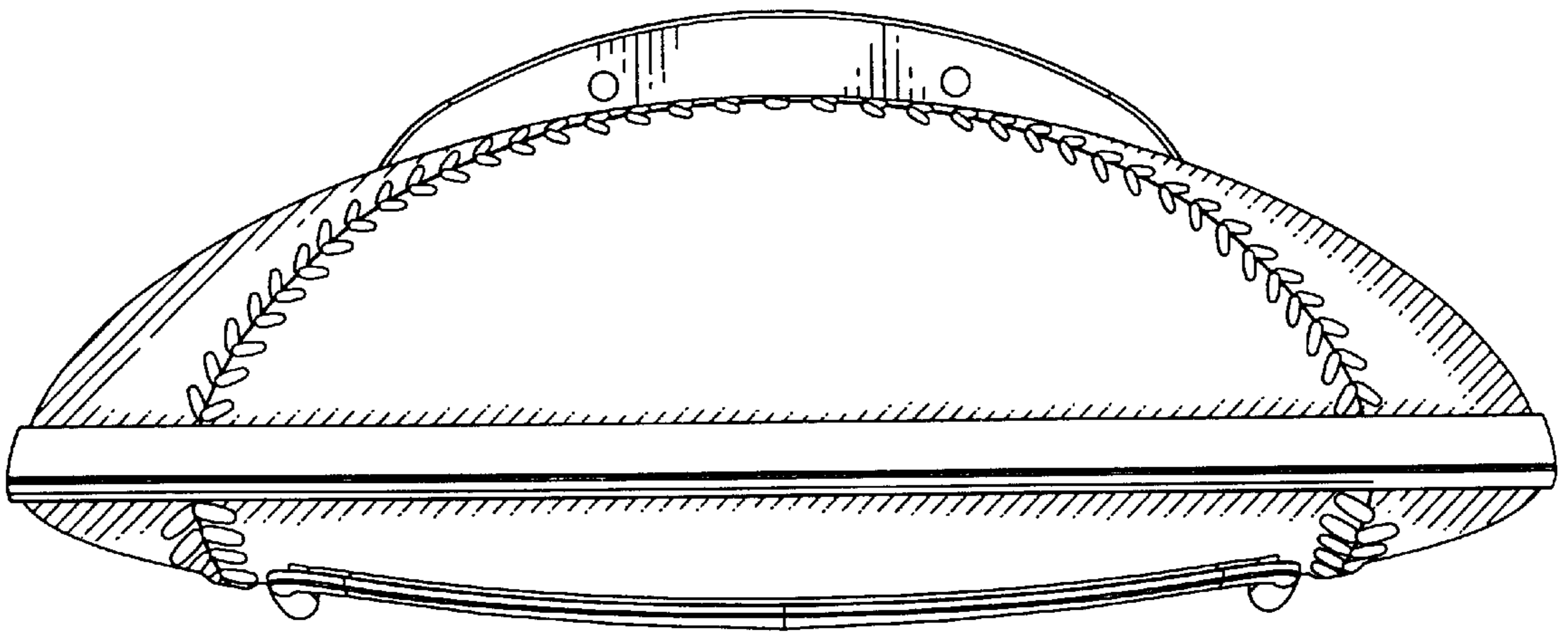


FIG. 3

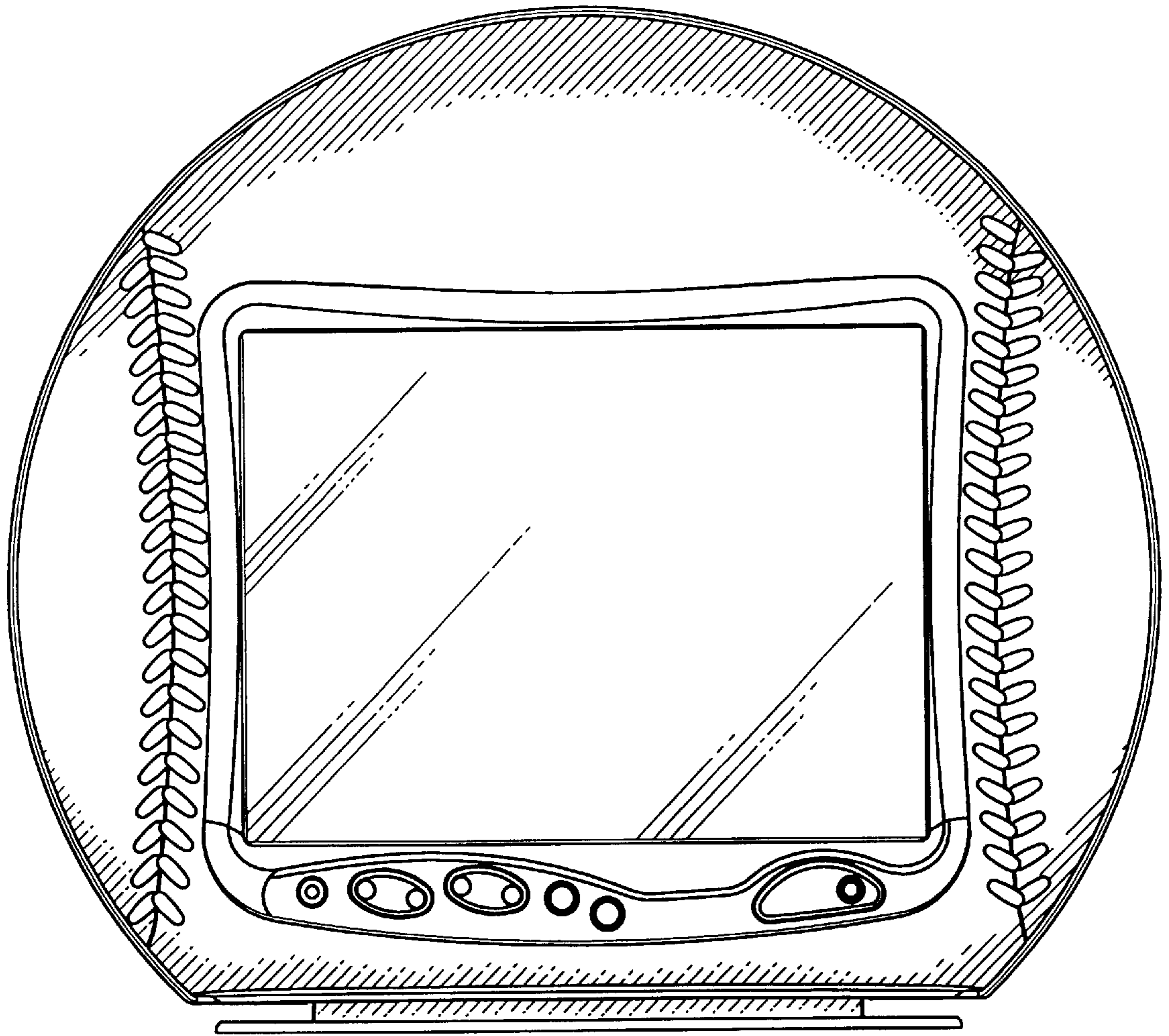


FIG. 4

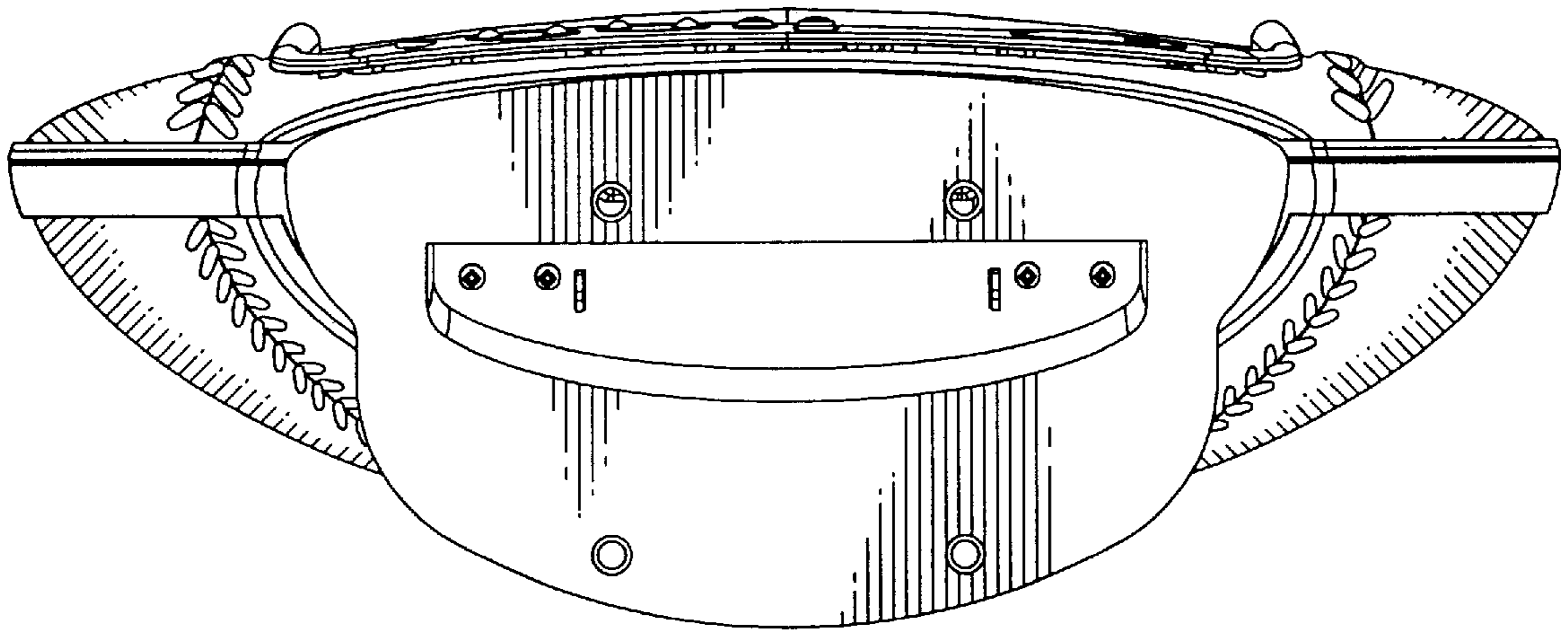


FIG. 5

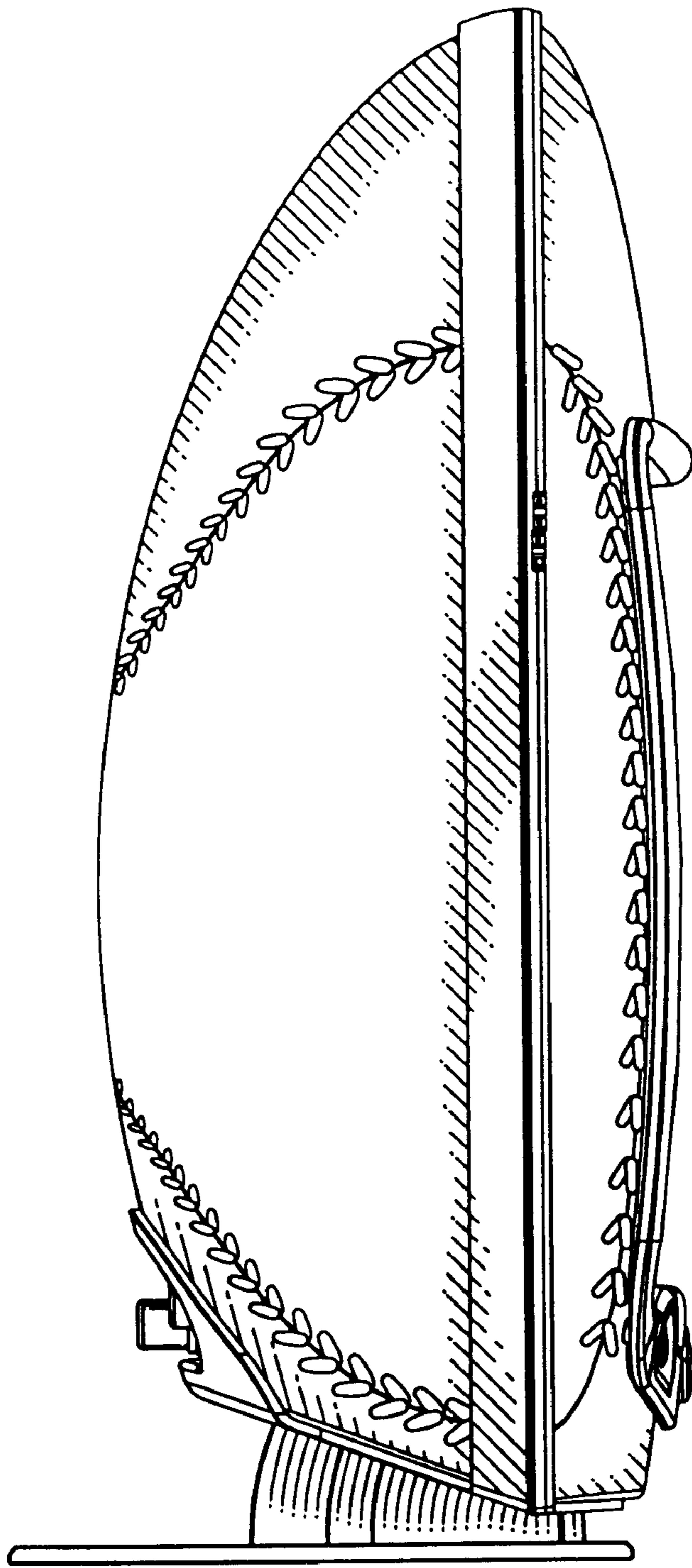


FIG. 6

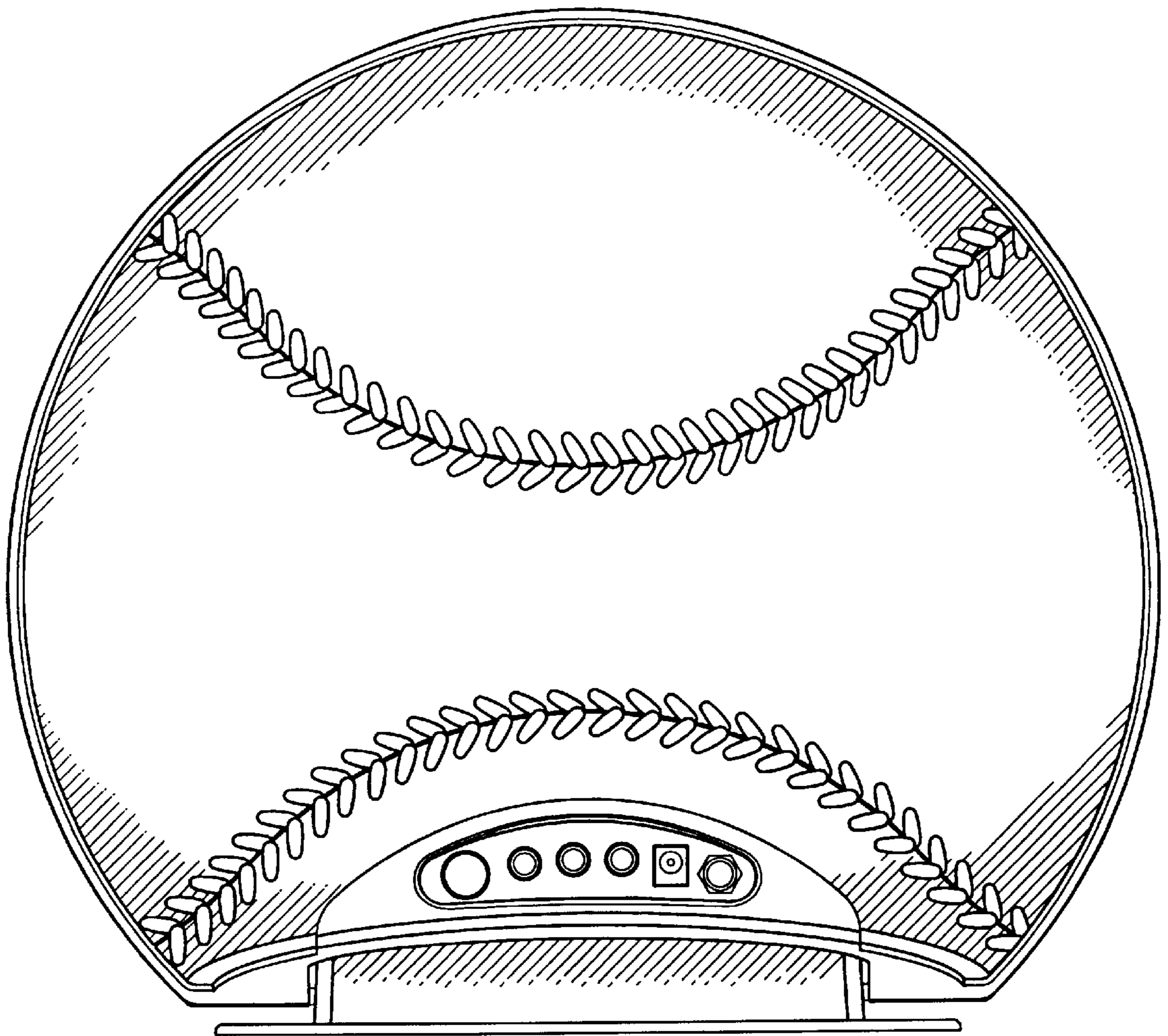


FIG. 7