



US00D475697S

(12) **United States Design Patent**  
**Hussaini et al.**

(10) **Patent No.:** **US D475,697 S**  
(45) **Date of Patent:** **\*\* Jun. 10, 2003**

(54) **AUDIO AND VIDEO ACCESSORY FOR AN ELECTRONIC DEVICE**

6,466,436 B2 10/2002 Faranda et al.

\* cited by examiner

(75) Inventors: **Saied Hussaini**, Miami, FL (US); **Marc Iacovelli**, Miami, FL (US)

*Primary Examiner*—Nanda Bondade

(74) *Attorney, Agent, or Firm*—Liniak, Berenato & White

(73) Assignee: **Intec, Inc.**, Miami, FL (US)

(57) **CLAIM**

(\*\*) Term: **14 Years**

The ornamental design for an audio and video accessory for an electronic device, as shown and described.

(21) Appl. No.: **29/175,738**

**DESCRIPTION**

(22) Filed: **Feb. 11, 2003**

**Related U.S. Application Data**

(63) Continuation of application No. 29/172,772, filed on Dec. 18, 2002.

FIG. 1 is a front view of the audio and video accessory for an electronic device according to the present invention.

FIG. 2 is a rear view of the audio and video accessory for an electronic device of FIG. 1.

(51) **LOC (7) Cl.** ..... **14-99**

FIG. 3 is a left side view of the audio and video accessory for an electronic device of FIG. 1.

(52) **U.S. Cl.** ..... **D14/217**

FIG. 4 is a right side view of the audio and video accessory for an electronic device of FIG. 1.

(58) **Field of Search** ..... D14/126-129,  
D14/162, 168, 172, 217, 299, 371, 374-376,  
379; 312/223.2; 361/90, 683-686, 725;  
381/152, 386, 398

FIG. 5 is a top view of the audio and video accessory for an electronic device of FIG. 1.

FIG. 6 is a bottom view of the audio and video accessory for an electronic device of FIG. 1.

(56) **References Cited**

**U.S. PATENT DOCUMENTS**

- 5,519,572 A 5/1996 Luo
- 5,825,614 A \* 10/1998 Kim ..... 361/683
- D433,021 S 10/2000 Shibata
- 6,144,746 A 11/2000 Azima et al.
- D441,352 S \* 5/2001 Kuo ..... D14/217
- D464,947 S 10/2002 Hussaini et al.

FIG. 7 is a top view of the audio and video accessory for an electronic device of FIG. 1 with the display in a closed position; and,

FIG. 8 is a reduced front and left perspective view of the audio and video accessory for an electronic device according to the present invention.

The broken line showing on FIGS. 1-5 and 7 is for illustrative purposes only and form no part of the claimed design.

**1 Claim, 7 Drawing Sheets**

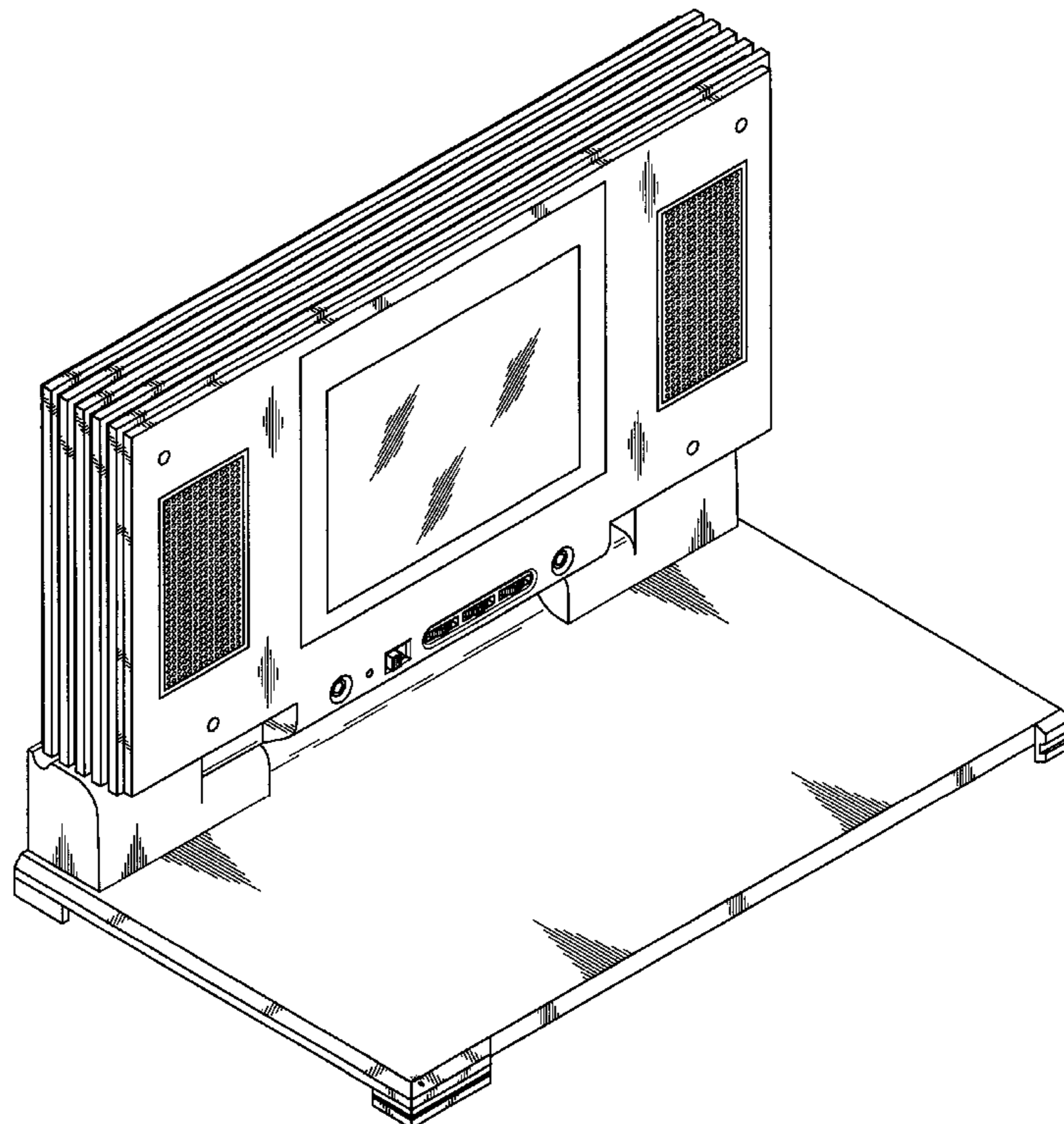


Fig. 1

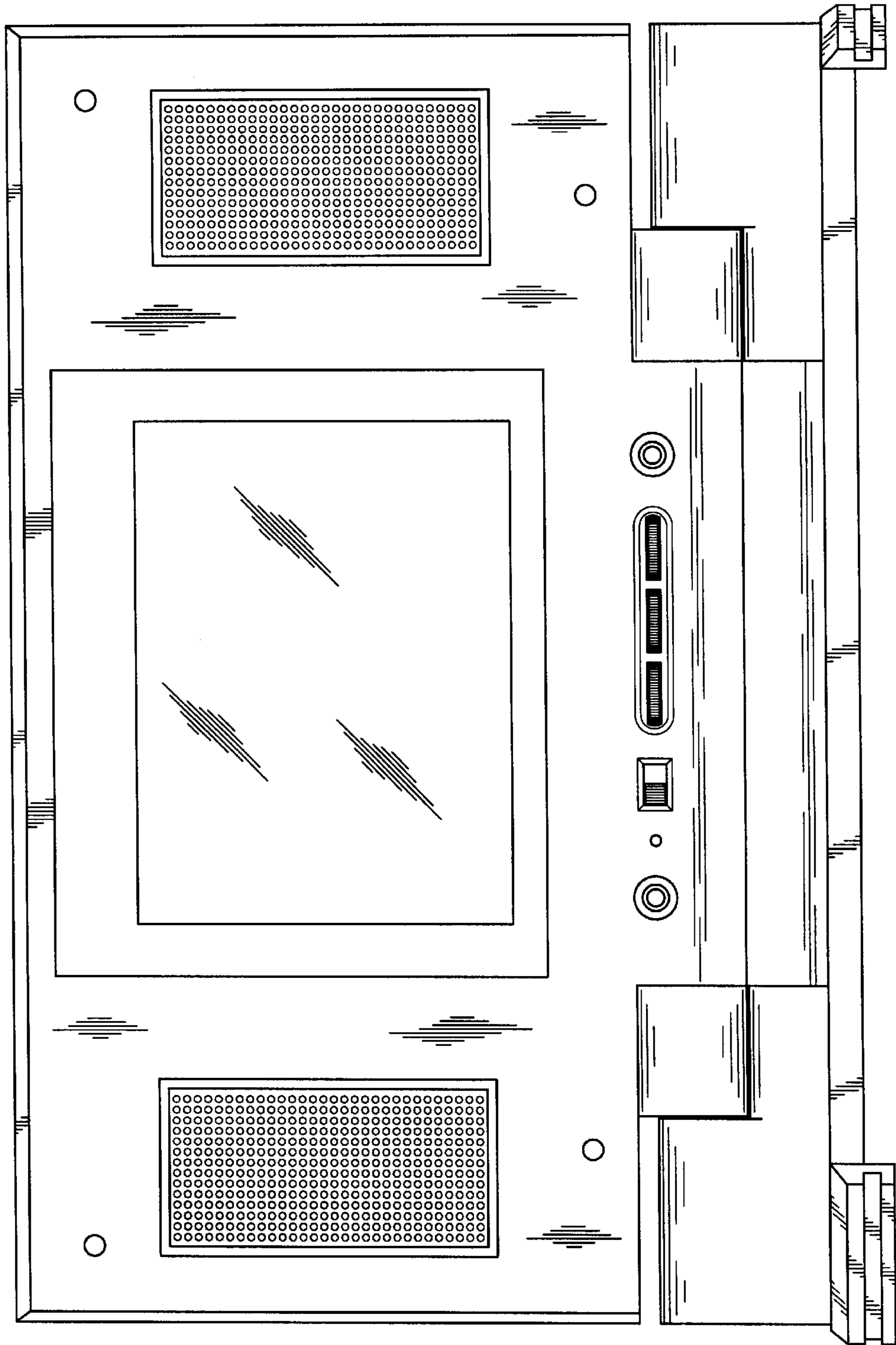
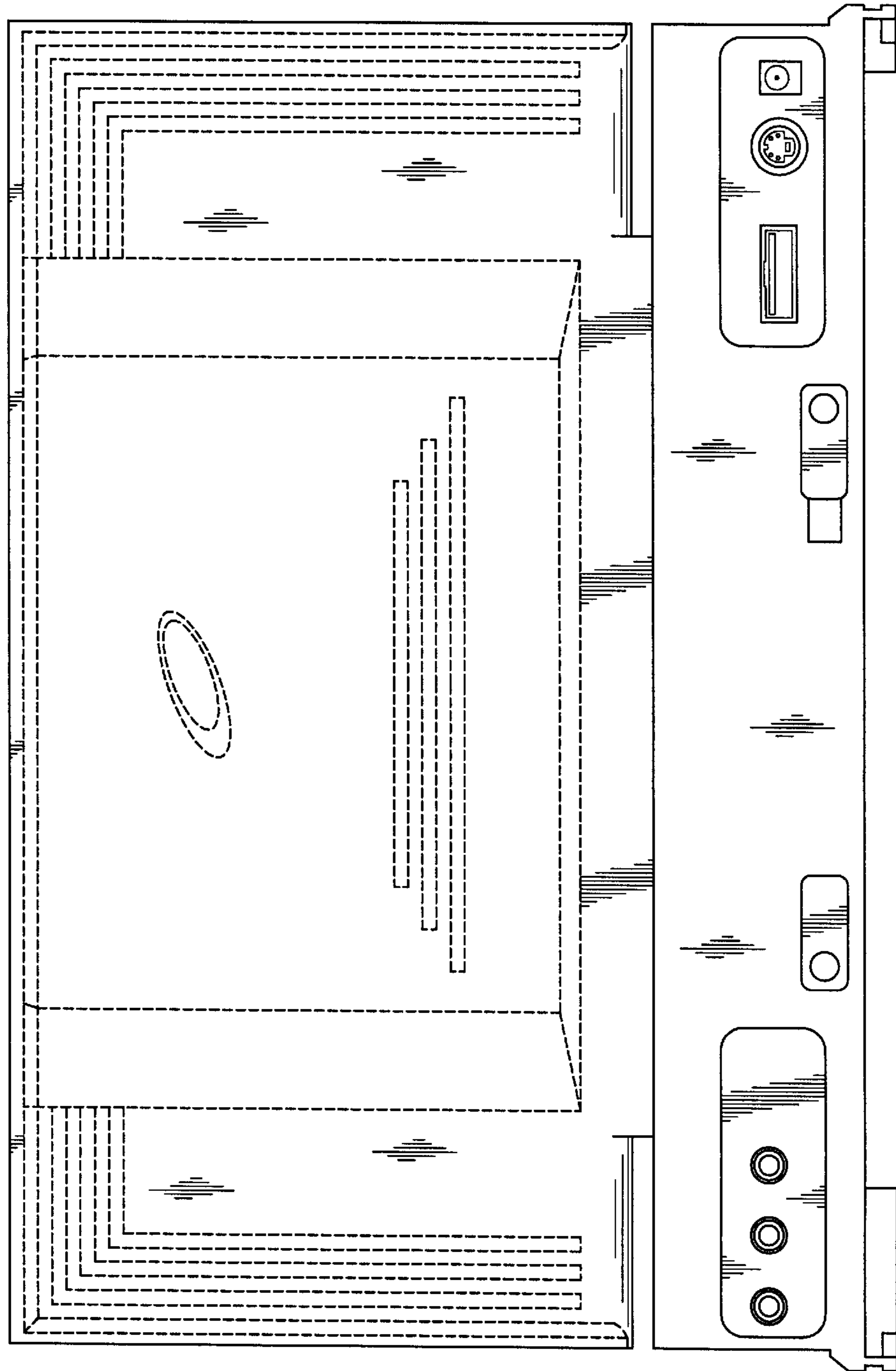


Fig. 2



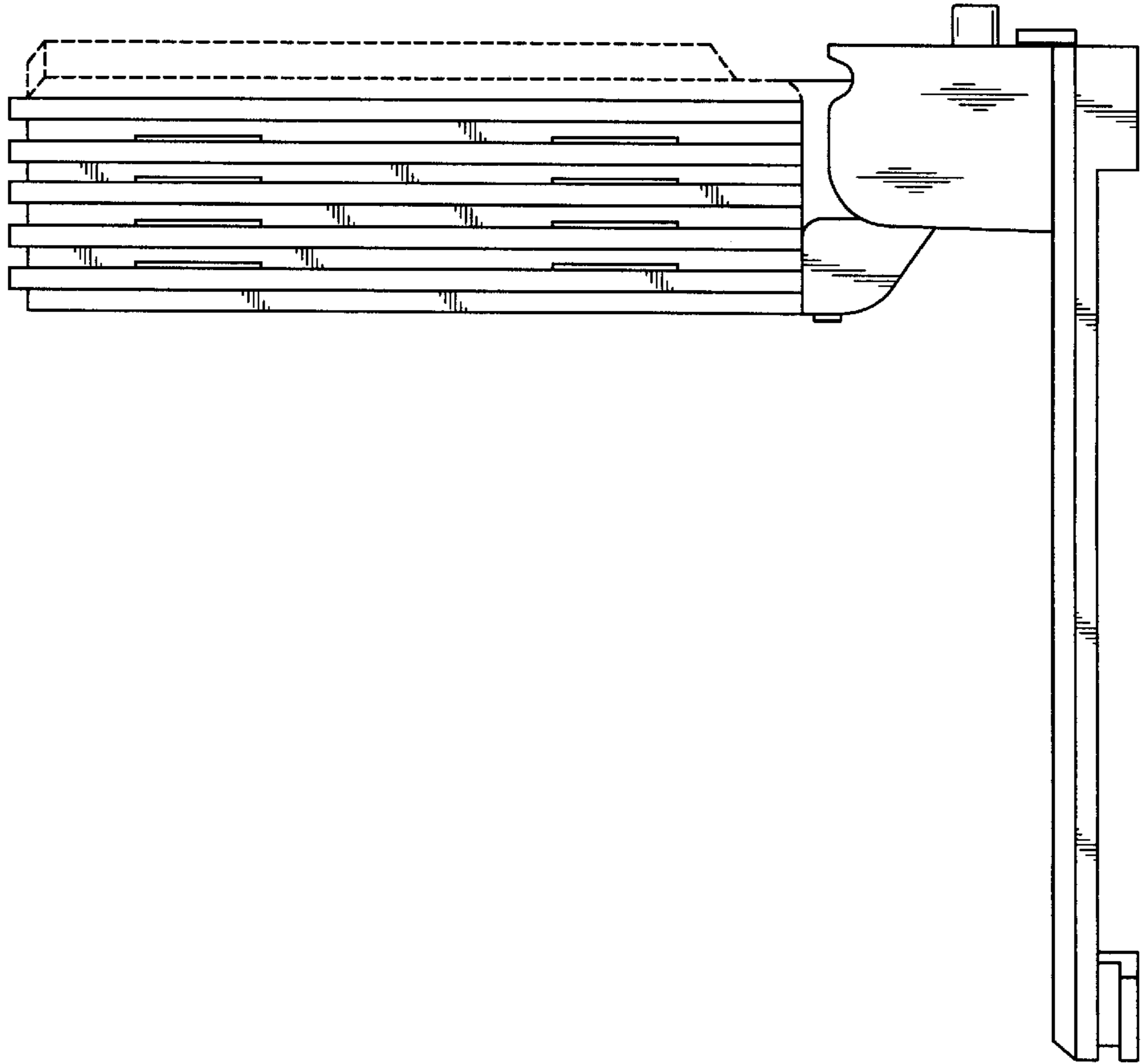


Fig. 4

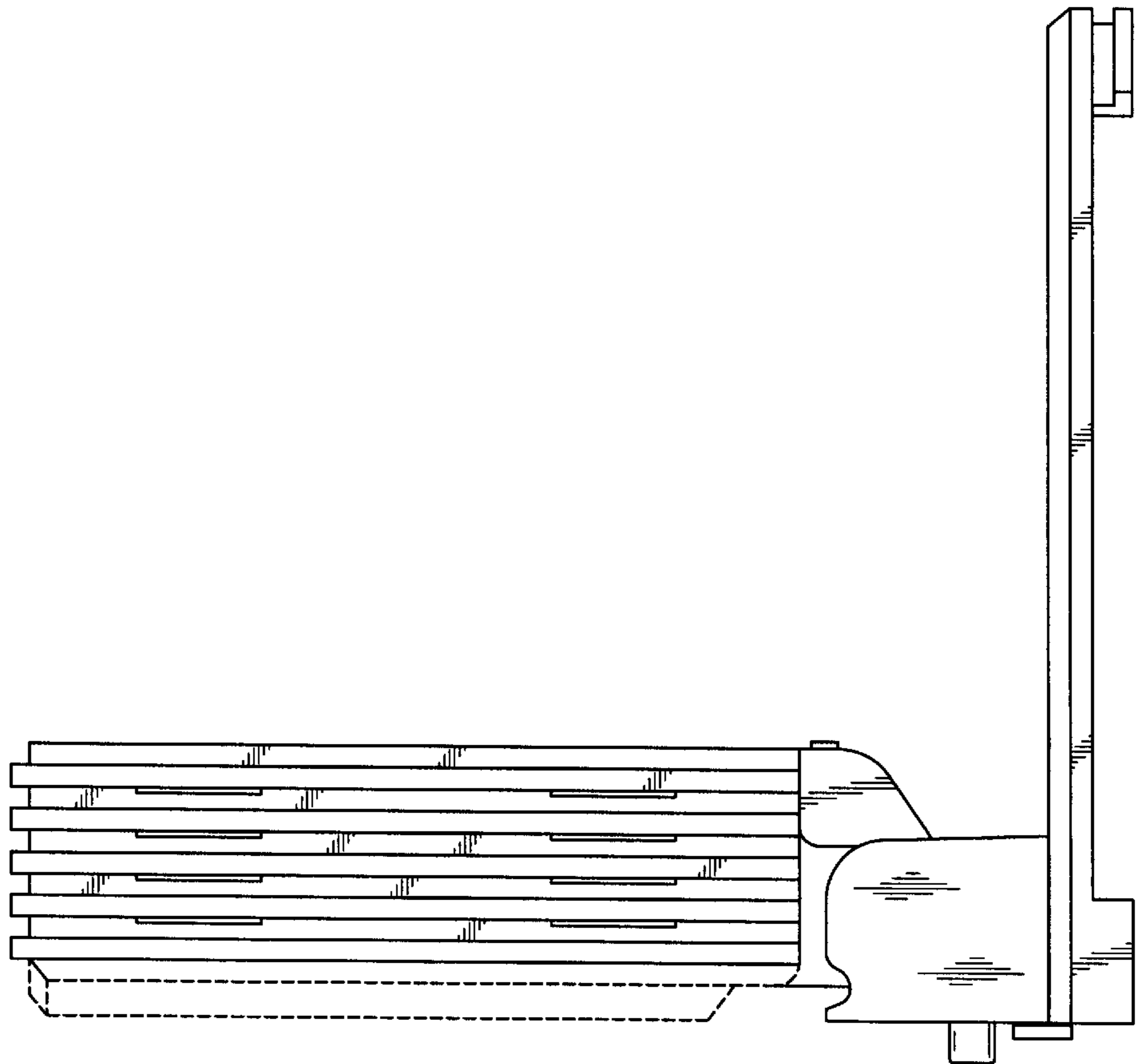


Fig. 3

Fig. 5

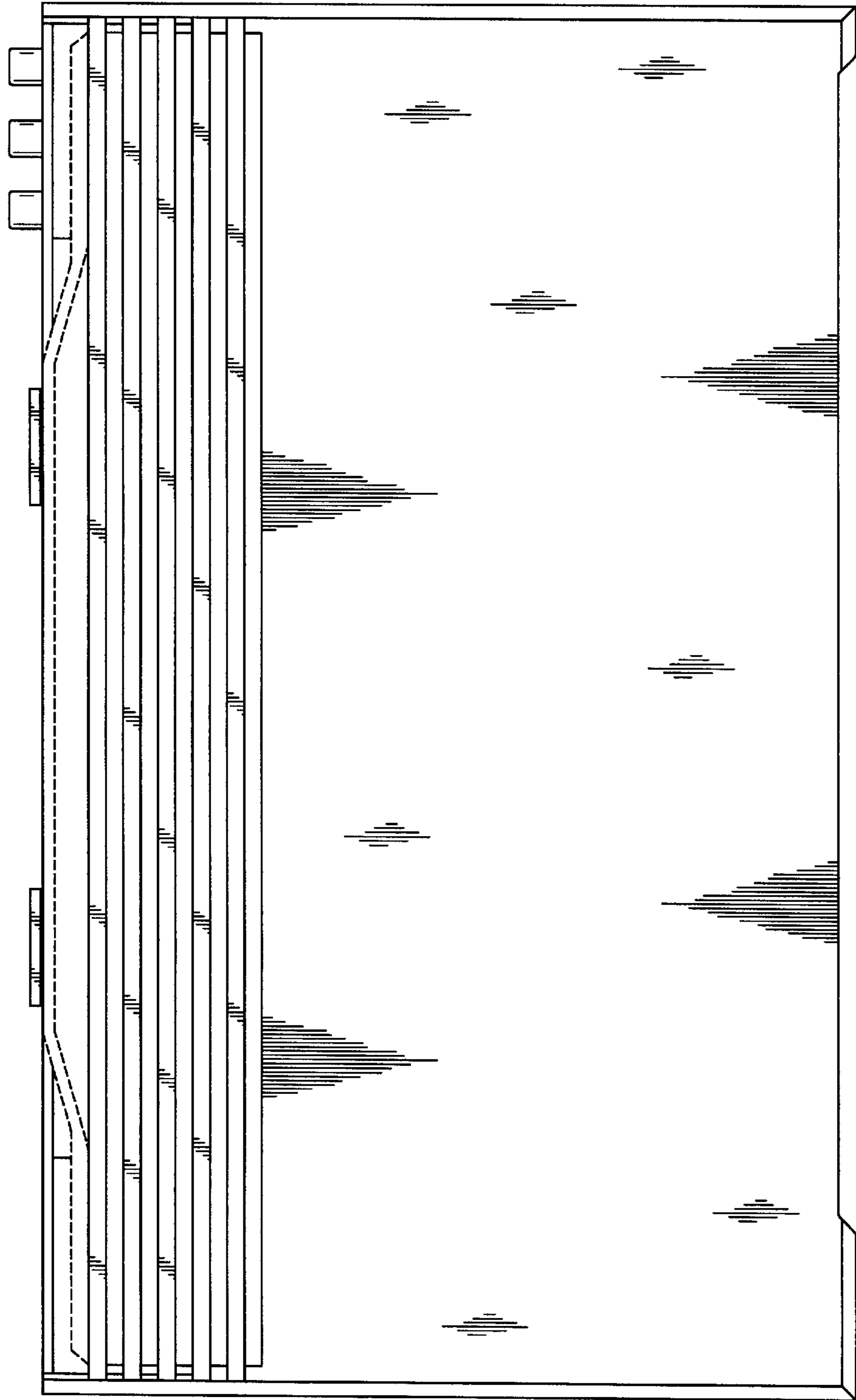


Fig. 6

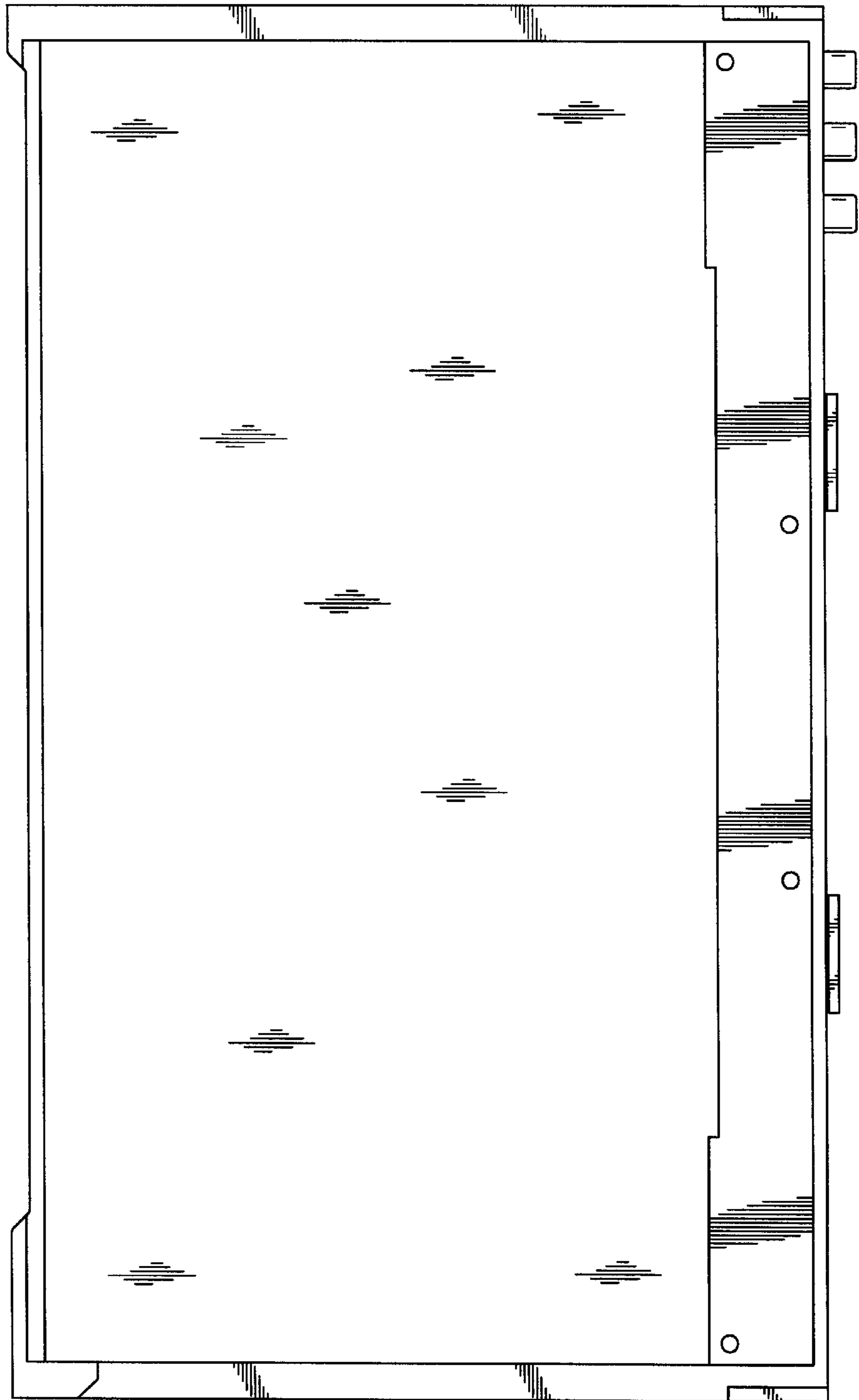


Fig. 7

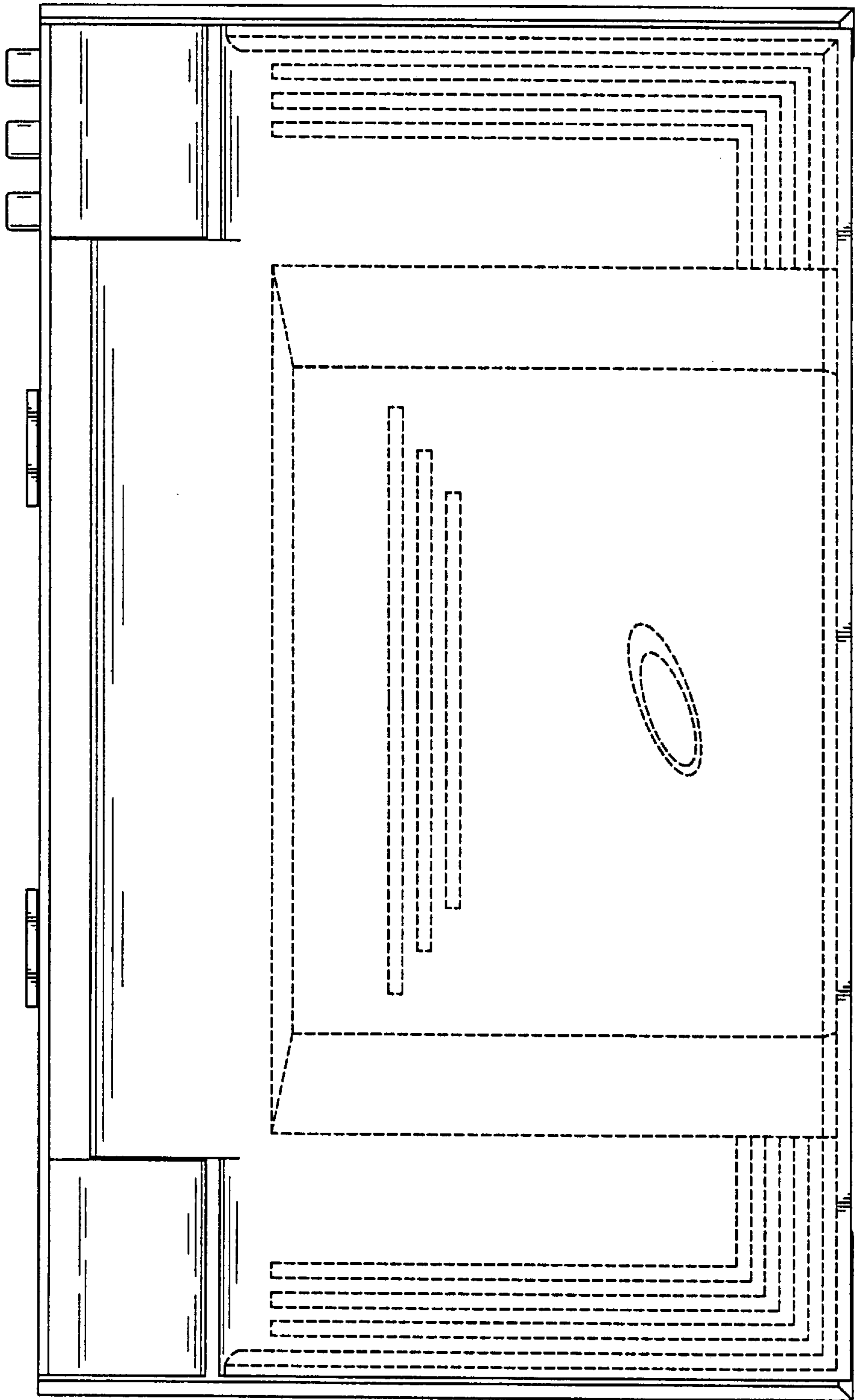


Fig. 8

