



US00D475693S

(12) **United States Design Patent**
Matsuoka

(10) **Patent No.:** **US D475,693 S**

(45) **Date of Patent:** **** Jun. 10, 2003**

(54) **COMBINED RADIO RECEIVER AND CLOCK**

(75) Inventor: **Yoshimichi Matsuoka**, Tokyo (JP)

(73) Assignee: **Sony Corporation**, Tokyo (JP)

(**) Term: **14 Years**

(21) Appl. No.: **29/159,580**

(22) Filed: **Apr. 25, 2002**

(51) **LOC (7) Cl.** **14-01**

(52) **U.S. Cl.** **D14/171**

(58) **Field of Search** D10/1-2, 15; D14/135-136,
D14/156, 162, 167-168, 170-171, 188,
193-198; 312/7.1; 455/90, 100, 128, 344,
347, 350-351

(56) **References Cited**

U.S. PATENT DOCUMENTS

D240,270 S	*	6/1976	Kawano	D14/171
D245,909 S	*	9/1977	Kawano	D14/171
D420,601 S	*	2/2000	Percy	D10/15
D449,589 S	*	10/2001	Ishibashi et al.	D14/171
D452,963 S		1/2002	Suzuki		

OTHER PUBLICATIONS

Catalog "98, ICF-C255RC, ICF-C470 & ICF-C723", pp.
90 & 92, Sony Corporation (Jul. 2001).

Home page "AIWA, FR-A550, <http://www.aiwa.co.jp/corporate/report/2001/fr-a550.html>", 2 sheets, Aiwa Kabushiki Kaisha (Jul. 2001).

* cited by examiner

Primary Examiner—Nanda Bondade

(74) *Attorney, Agent, or Firm*—Rader, Fishman & Grauer PLLC

(57) **CLAIM**

The ornamental design for a combined radio receiver and clock, as shown and described.

DESCRIPTION

FIG. 1 is a perspective view of a combined radio receiver and clock showing my new design;

FIG. 2 is a front elevational view thereof;

FIG. 3 is a rear elevational view thereof;

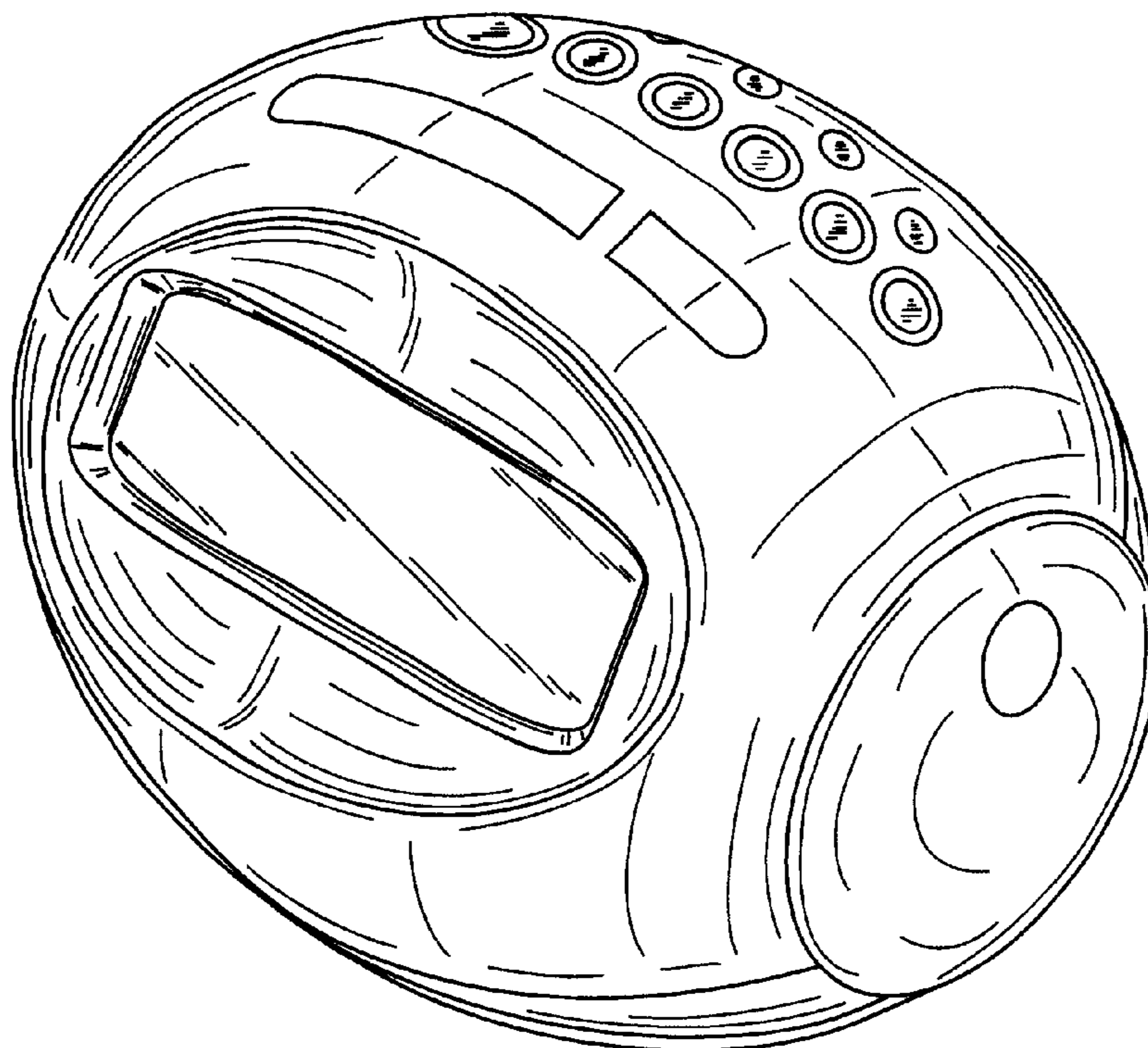
FIG. 4 is a left side elevational view thereof;

FIG. 5 is a right side elevational view thereof;

FIG. 6 is a top plan view thereof; and,

FIG. 7 is a bottom plan view thereof.

1 Claim, 4 Drawing Sheets



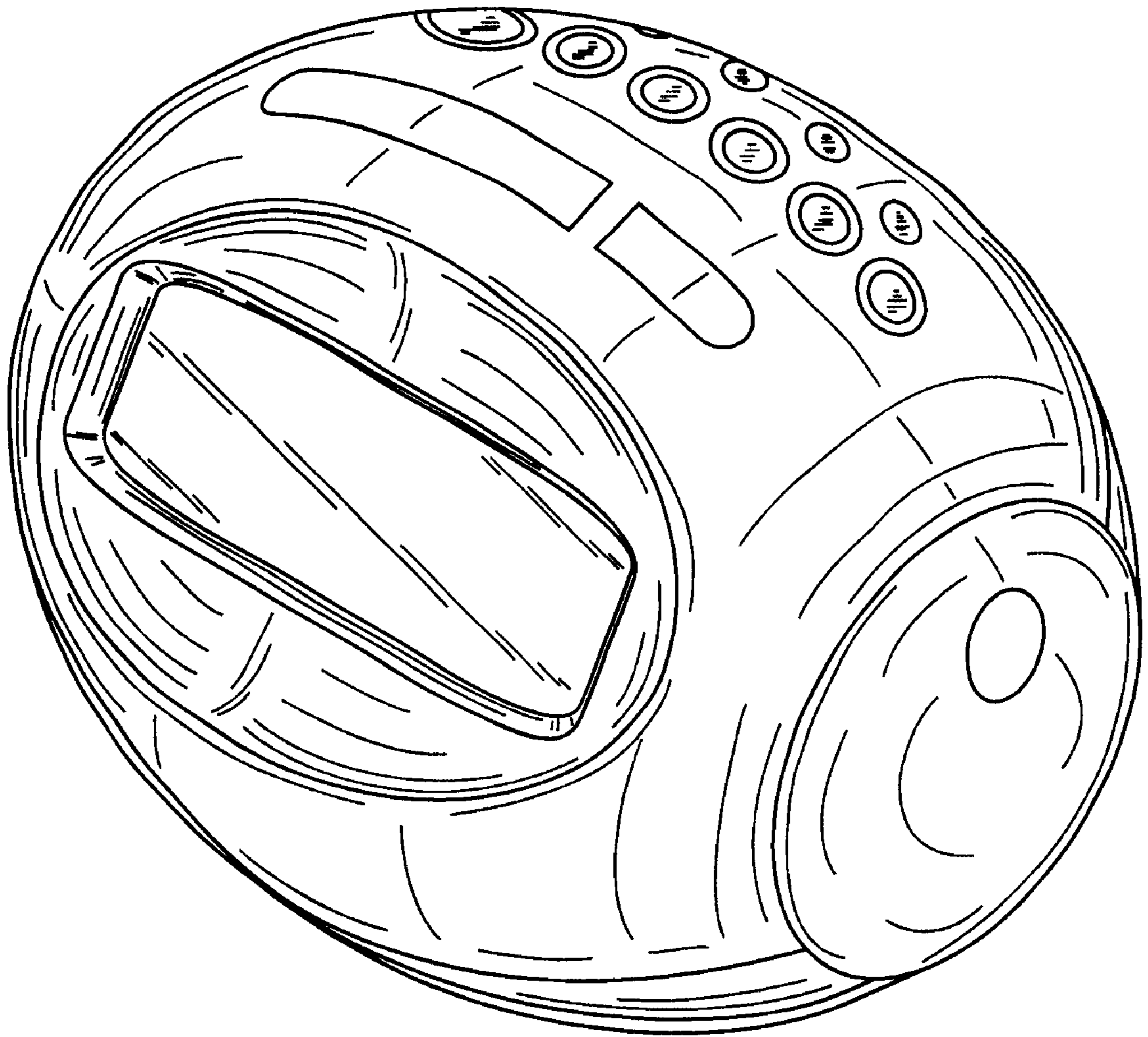


Fig. 1

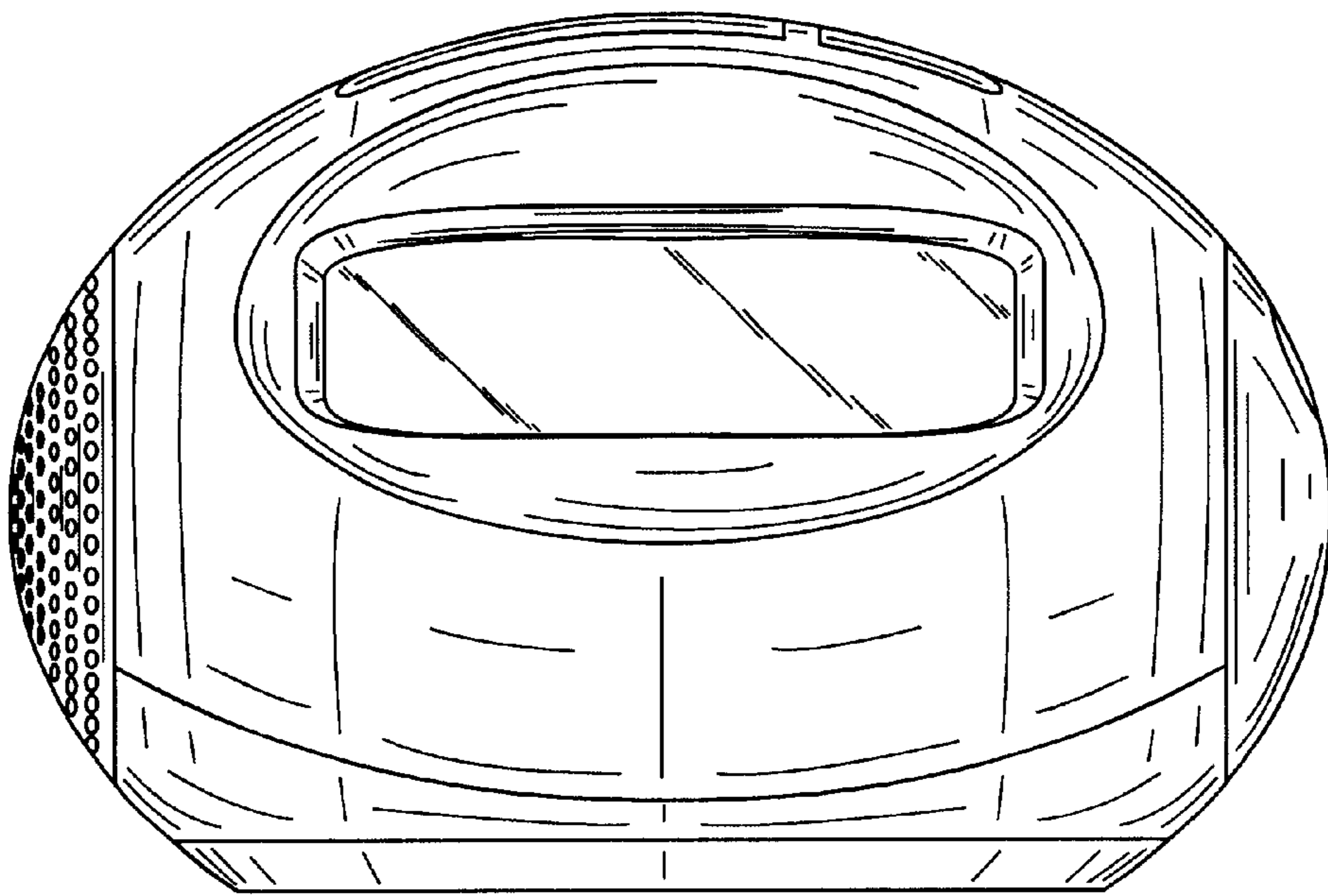


Fig. 2

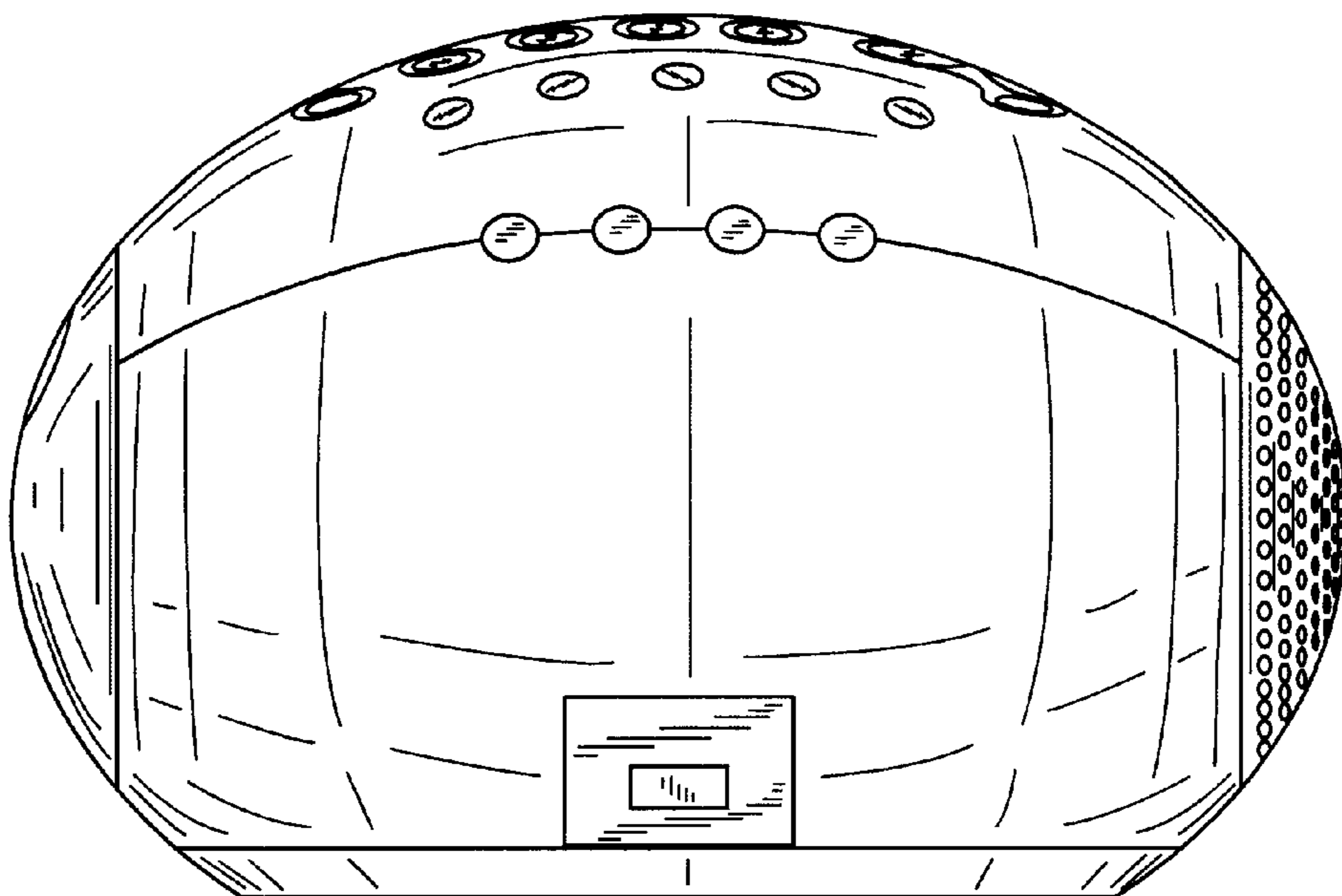


Fig. 3

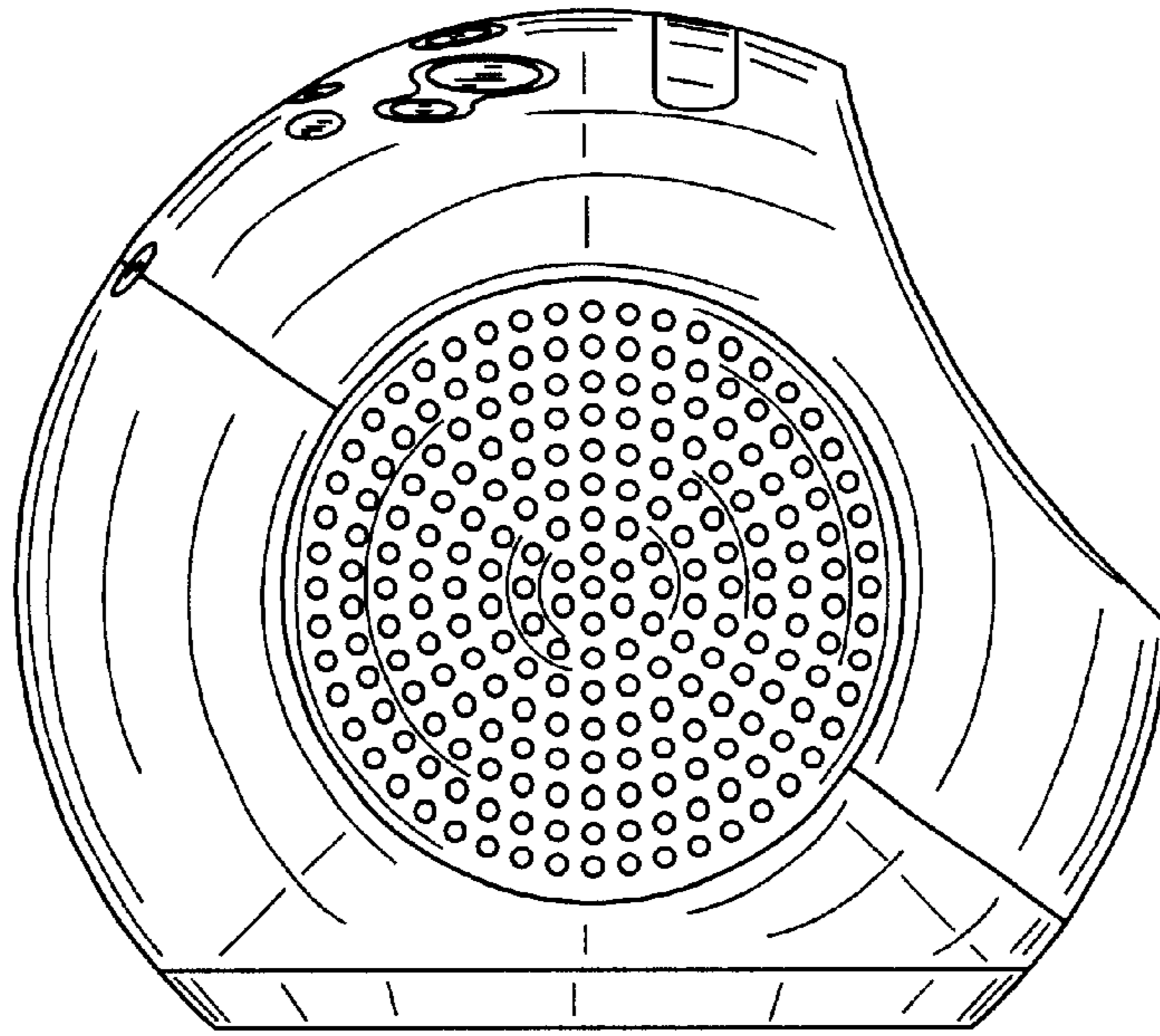


Fig. 4

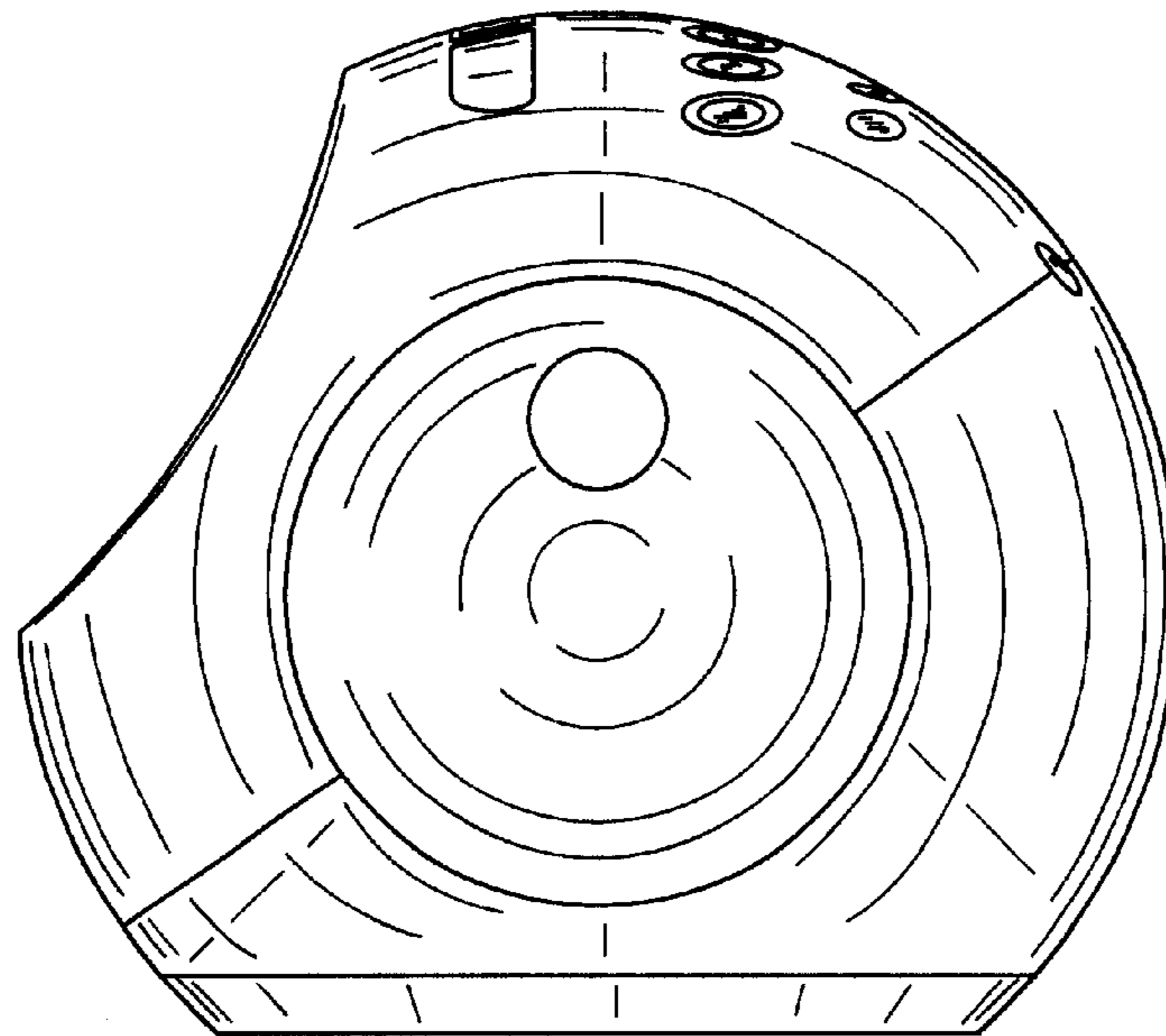


Fig. 5

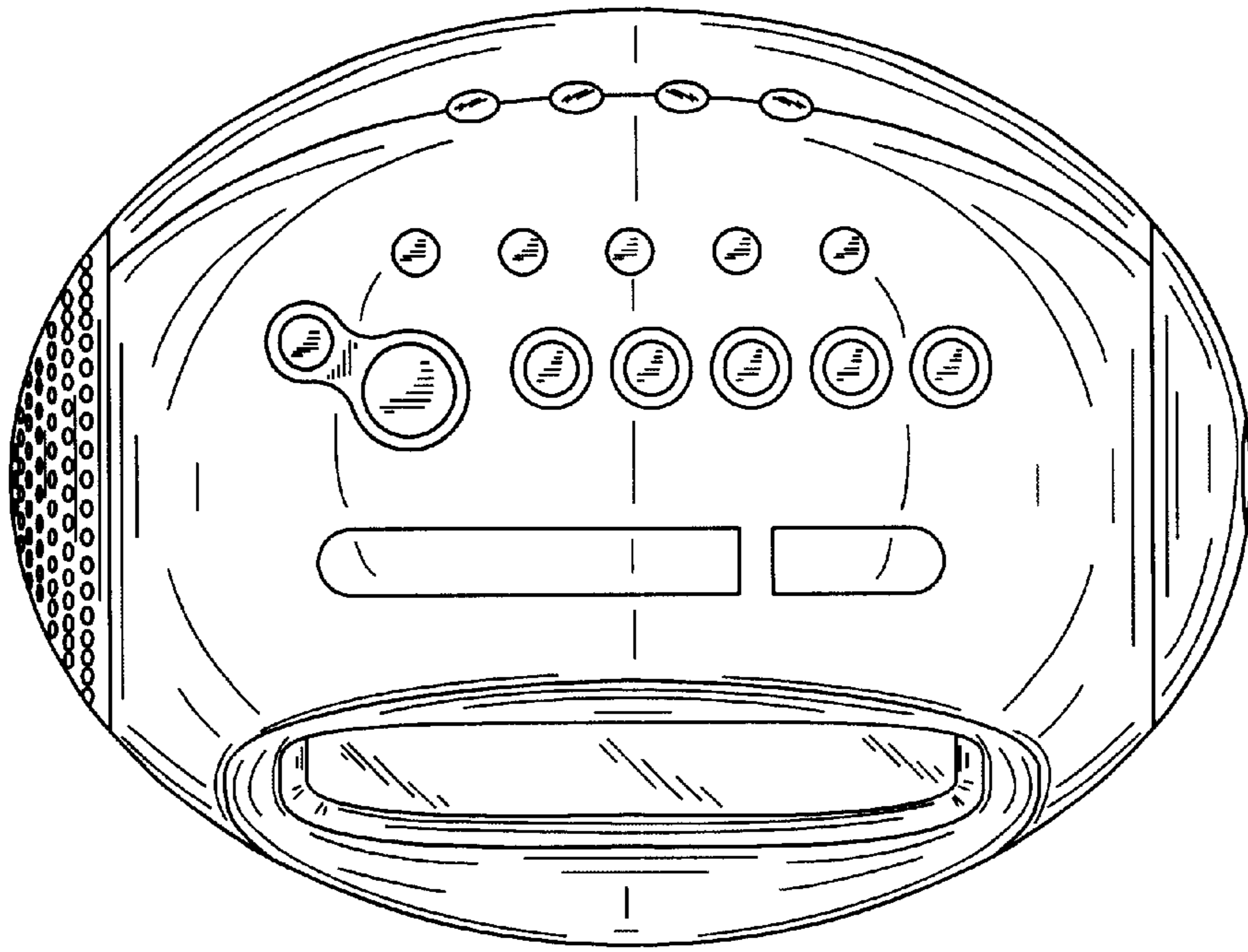


Fig. 6

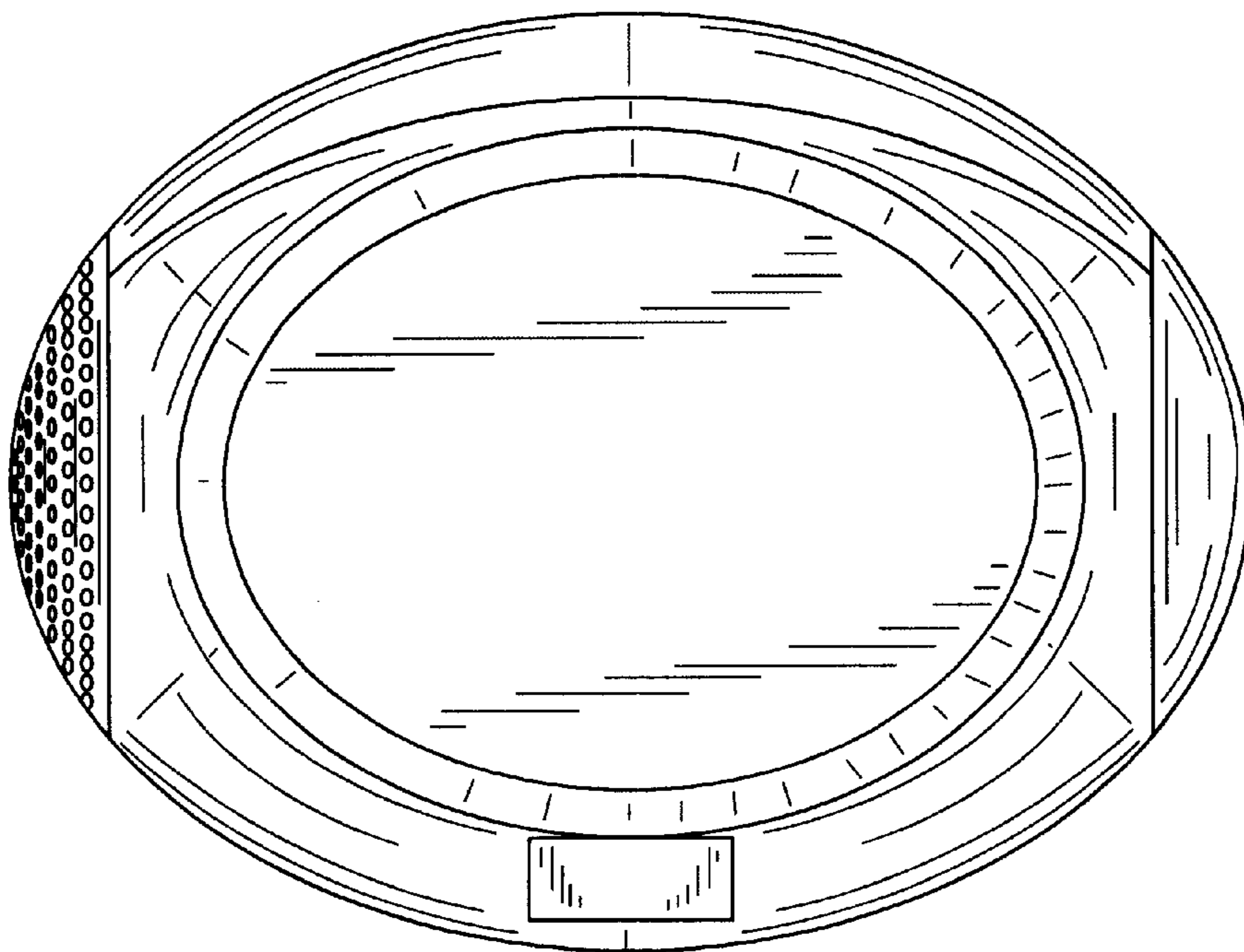


Fig. 7