



US00D475691S

(12) **United States Design Patent**
Nishii et al.

(10) **Patent No.: US D475,691 S**

(45) **Date of Patent: ** Jun. 10, 2003**

(54) **DIGITAL AUDIO DISC PLAYER FOR AN
AUTOMOBILE**

D445,775 S * 7/2001 Hori et al. D14/157
D450,678 S * 11/2001 Mizokawa et al. D14/157
D452,859 S * 1/2002 Le Thellec D14/258

(75) Inventors: **Hiroki Nishii**, Kanagawa (JP);
Hiroyuki Mizokawa, Kanagawa (JP);
Toshiyuki Itabashi, Kanagawa (JP);
Morio Iwasaki, Tokyo (JP)

FOREIGN PATENT DOCUMENTS

JP 1126661 11/2001

* cited by examiner

(73) Assignee: **Matsushita Electric Industrial Co.,
Ltd.**, Kadoma (JP)

Primary Examiner—Nanda Bondade

(74) *Attorney, Agent, or Firm*—Brinks Hofer Gilson &
Lione

(**) Term: **14 Years**

(57) **CLAIM**

(21) Appl. No.: **29/162,303**

The ornamental design for a digital audio disc player for an
automobile, as shown in the attached drawings.

(22) Filed: **Jun. 12, 2002**

(30) **Foreign Application Priority Data**

DESCRIPTION

Dec. 28, 2001 (JP) 2001-038756

FIG. 1 is a perspective view of a digital audio disc player for
an automobile showing our new design;

(51) **LOC (7) Cl.** **14-03**

FIG. 2 is a front view thereof;

(52) **U.S. Cl.** **D14/157**

FIG. 3 is a right side view thereof;

(58) **Field of Search** D14/135-136,

FIG. 4 is a top view thereof;

D14/156-157, 160-164, 167-168, 188,

FIG. 5 is a left side view thereof;

193-198, 257-258; 369/6-7, 75.1, 75.2,

FIG. 6 is a rear view thereof;

77.1, 77.2; 455/344, 347, 350-351

FIG. 7 is a bottom view thereof; and,

(56) **References Cited**

FIG. 8 is another perspective view thereof, with a face lid in
an open position.

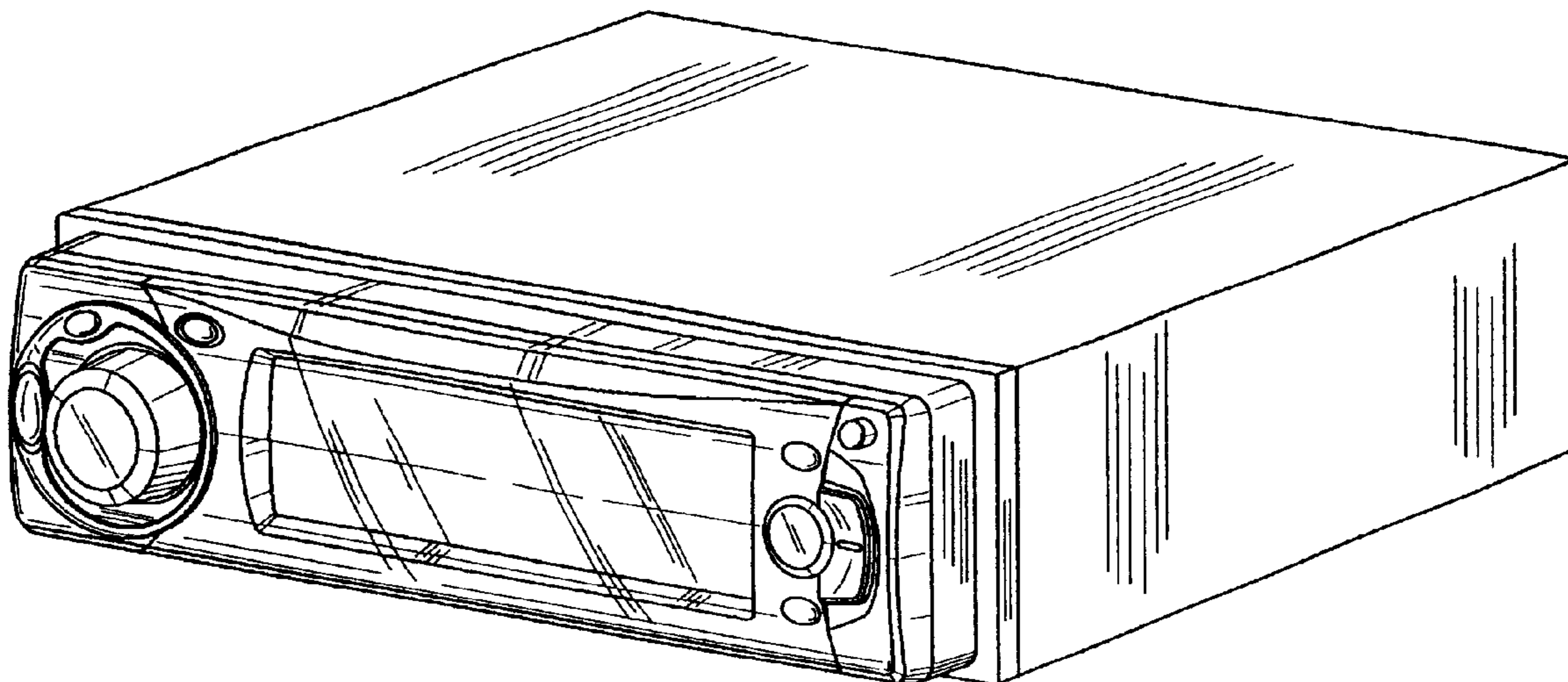
U.S. PATENT DOCUMENTS

The broken line showing on FIG. 8 is for illustrative
purposes only and forms no part of the claimed design.

5,848,042 A * 12/1998 Takahashi et al. 369/75.1

5,953,302 A * 9/1999 Kobayashi 369/75.1

1 Claim, 4 Drawing Sheets



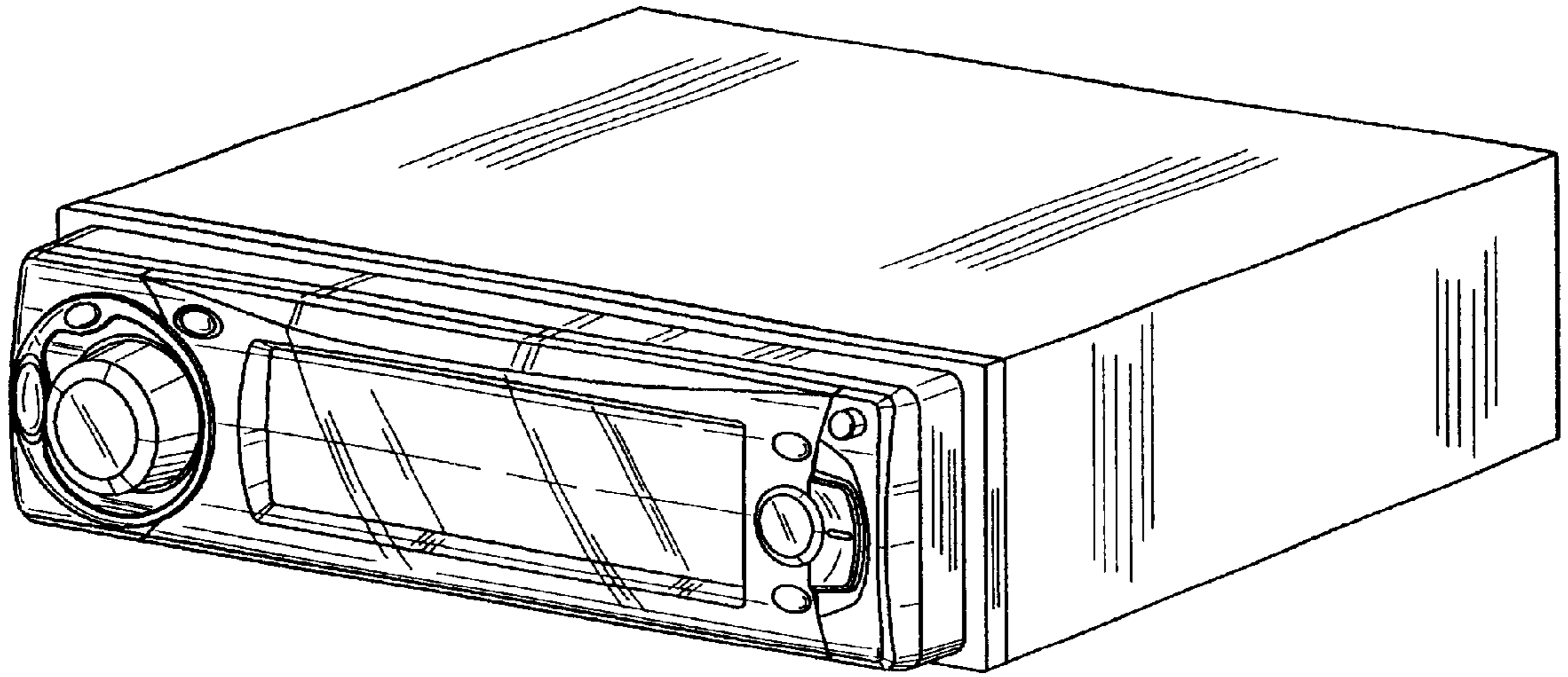


FIG. 1

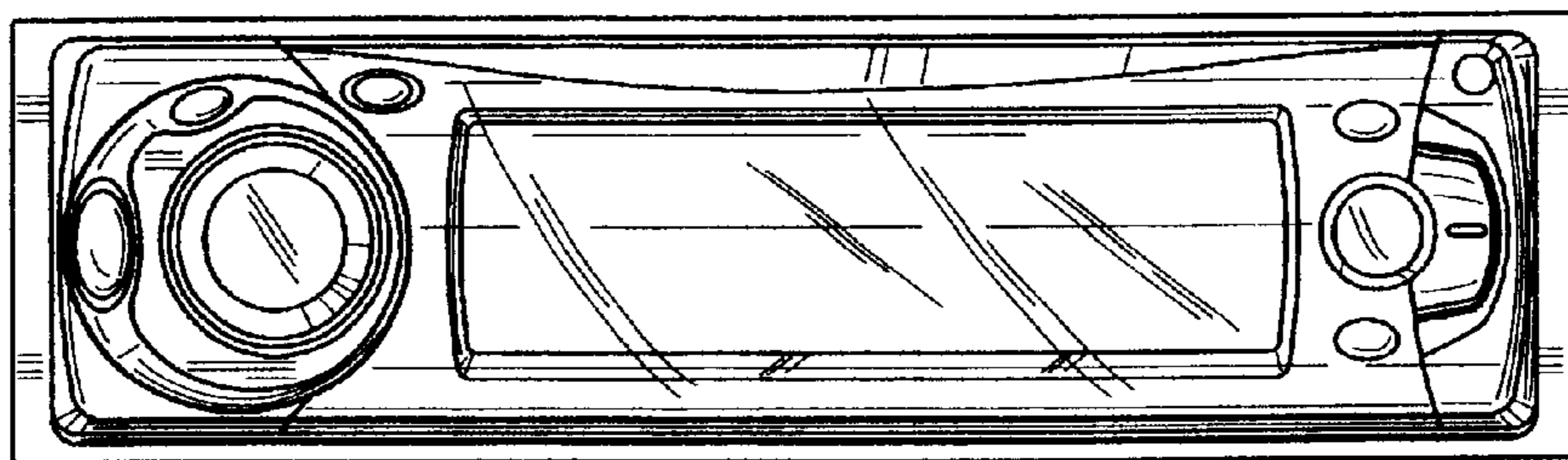


FIG. 2

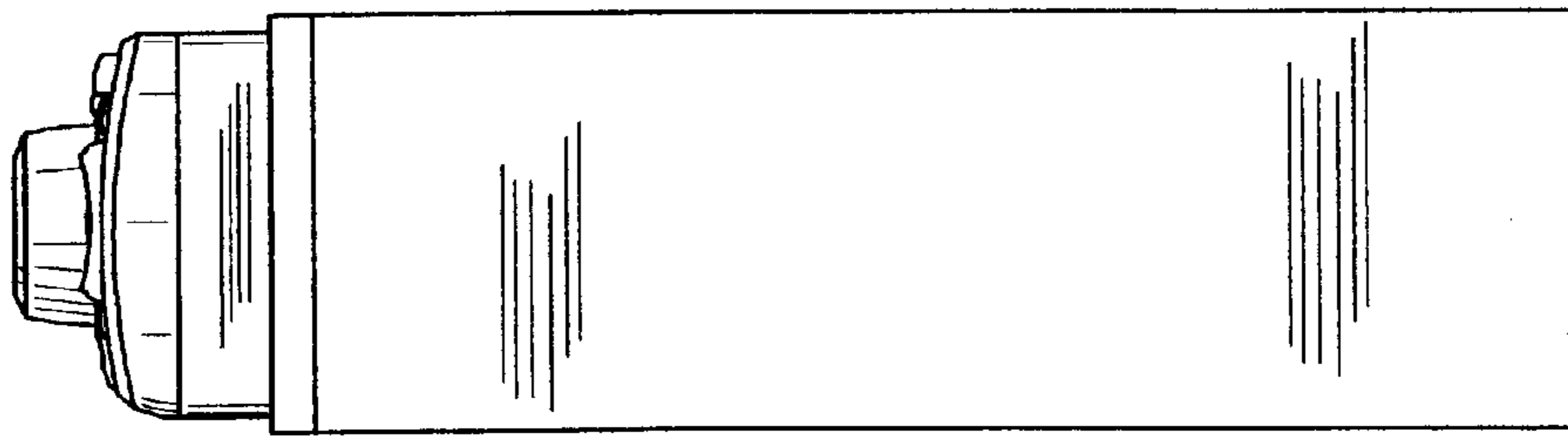


FIG. 3

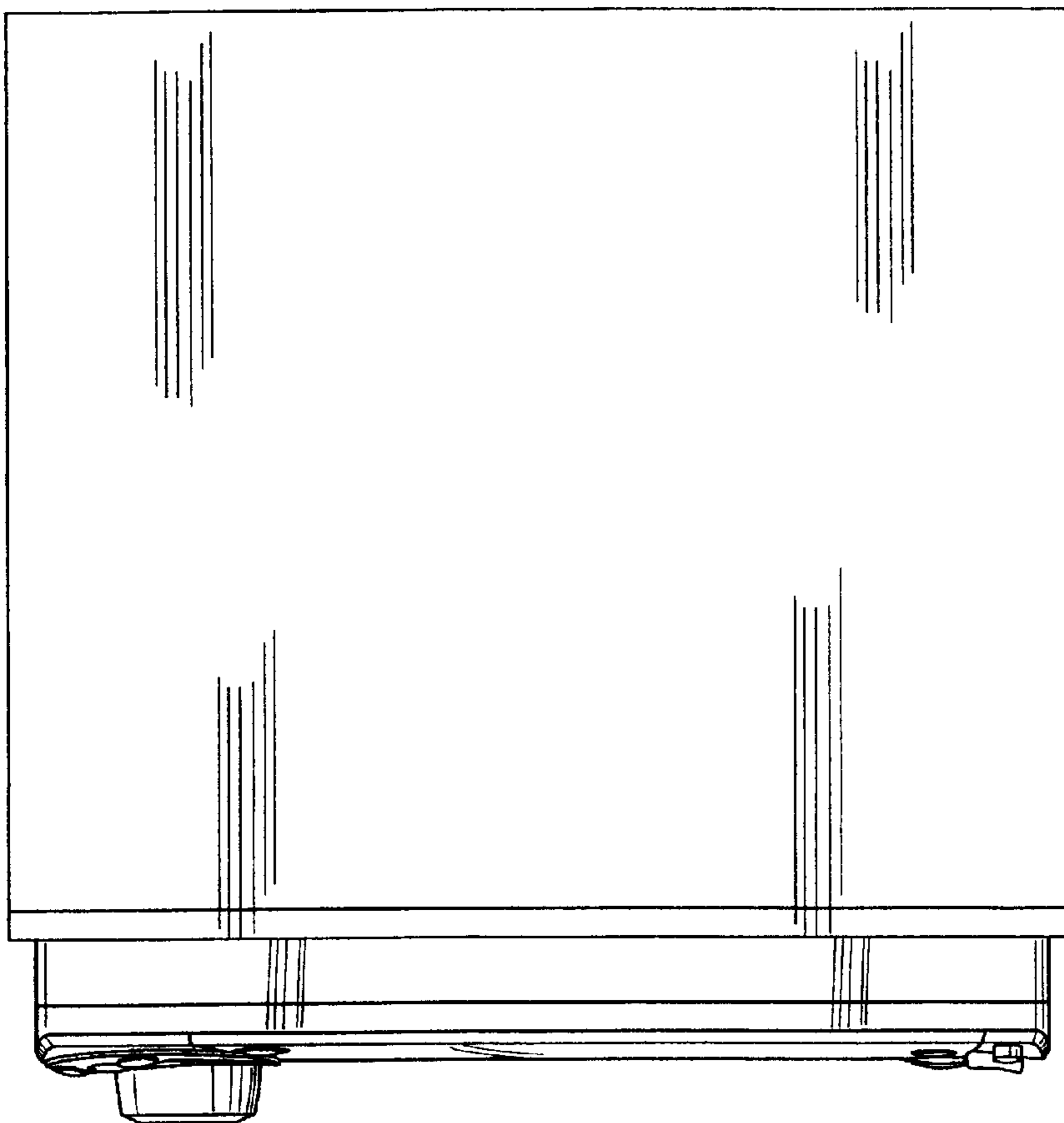


FIG. 4

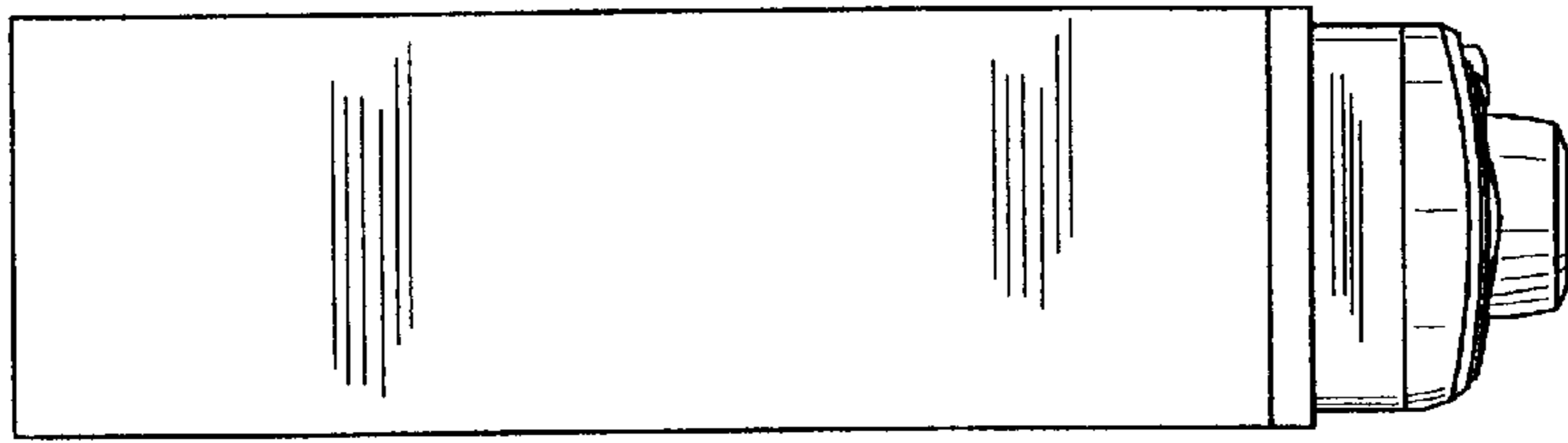


FIG. 5

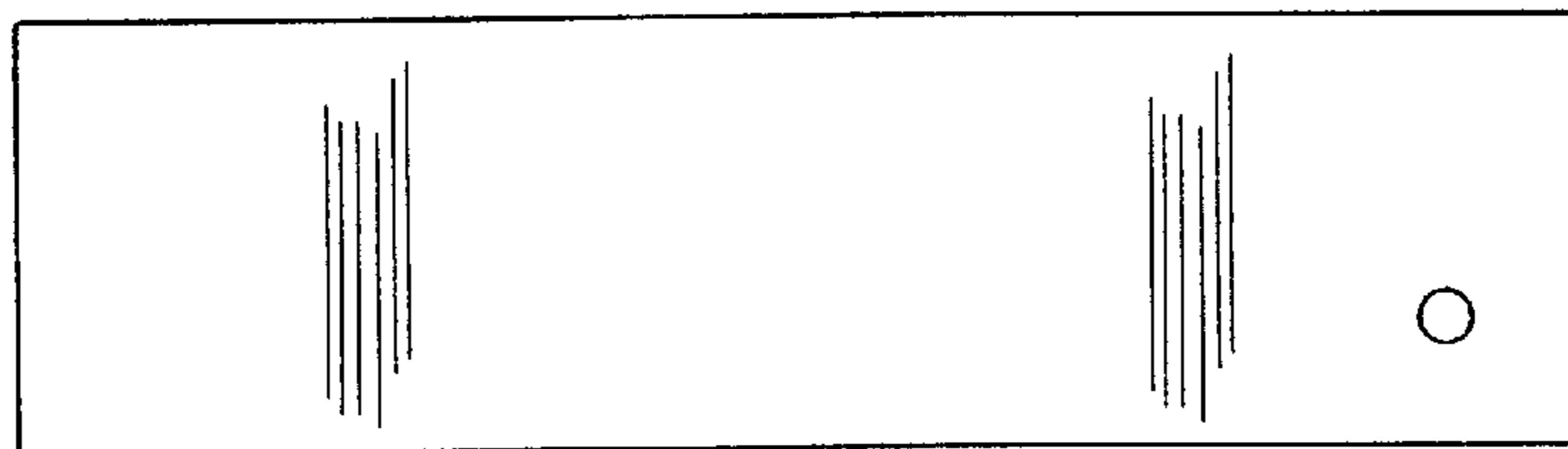
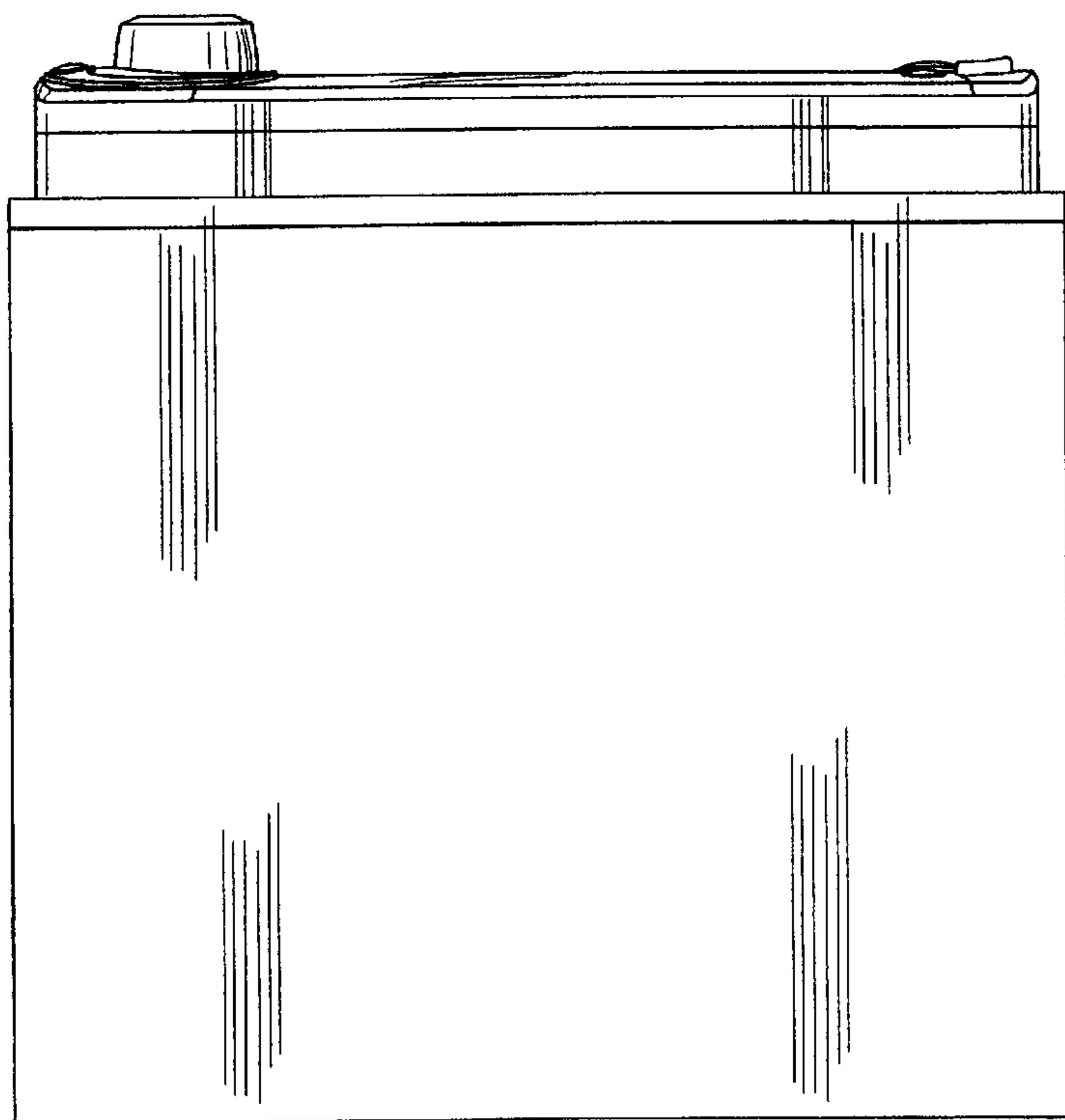


FIG. 6

FIG. 7



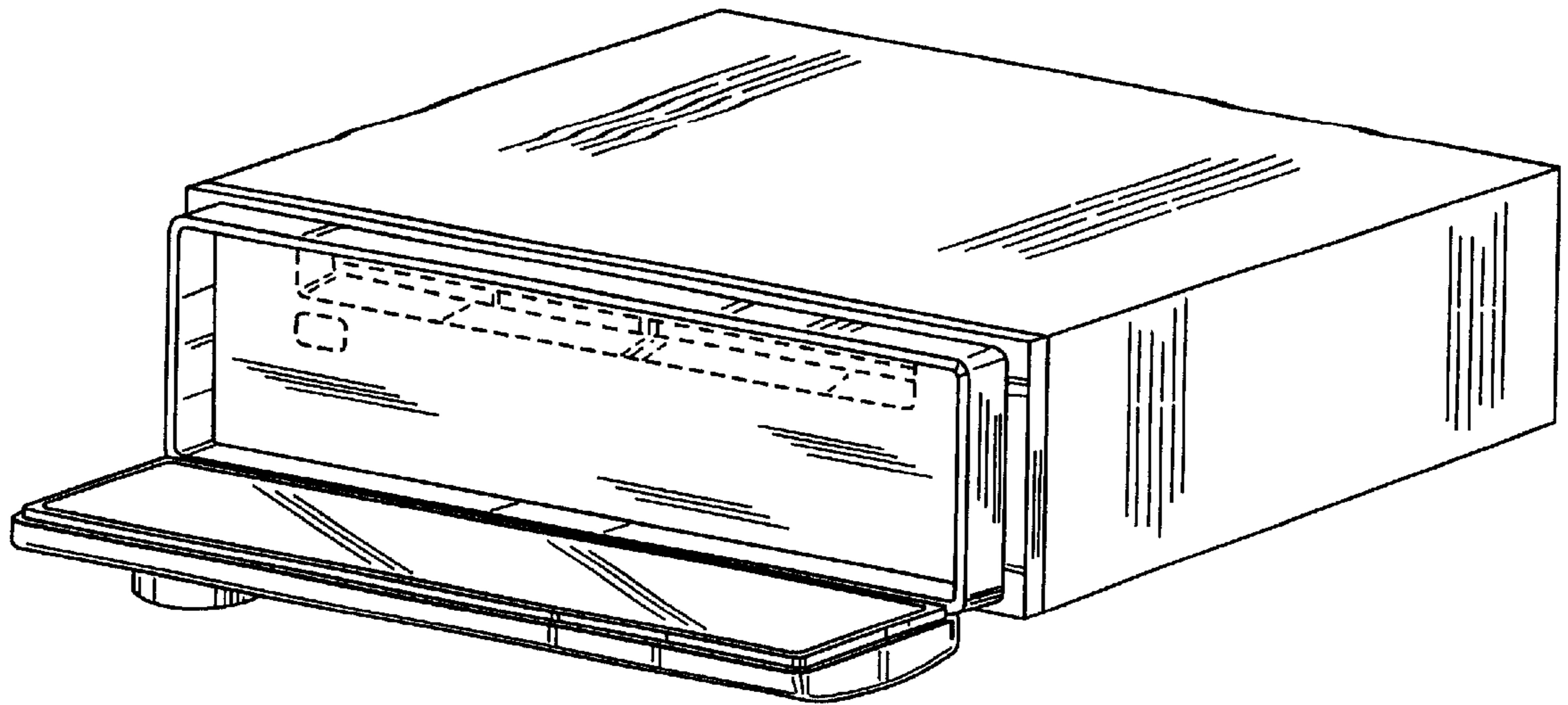


FIG. 8