



US00D475690S

(12) **United States Design Patent**  
Nose et al.

(10) **Patent No.:** **US D475,690 S**  
(45) **Date of Patent:** **\*\* Jun. 10, 2003**

(54) **DIGITAL AUDIO DISC PLAYER FOR AN  
AUTOMOBILE**

D444,146 S \* 6/2001 Weiland et al. .... D14/258

**FOREIGN PATENT DOCUMENTS**

(75) Inventors: **Hiroyuki Nose**, Kanagawa (JP);  
**Hiroyuki Mizokawa**, Kanagawa (JP);  
**Hiroki Nishii**, Kanagawa (JP); **Morio  
Iwasaki**, Tokyo (JP)

JP 1120265 9/2001

\* cited by examiner

*Primary Examiner*—Nanda Bondade

(73) Assignee: **Matsushita Electric Industrial Co.,  
Ltd.**, Kadoma (JP)

(74) *Attorney, Agent, or Firm*—Brinks Hofer Gilson &  
Lione

(\*\*) Term: **14 Years**

(57) **CLAIM**

(21) Appl. No.: **29/162,065**

The ornamental design for a digital audio disc player for an  
automobile, as shown in the attached drawings.

(22) Filed: **Jun. 7, 2002**

**DESCRIPTION**

(30) **Foreign Application Priority Data**

Dec. 21, 2001 (JP) ..... 2001-037681

(51) **LOC (7) Cl.** ..... **14-01**

(52) **U.S. Cl.** ..... **D14/157**

(58) **Field of Search** ..... D14/135–136,  
D14/156–157, 160–164, 167–168, 188,  
193–198, 257–258; 369/6–7, 75.1, 75.2,  
77.1, 77.2; 455/344, 347, 350–351

FIG. 1 is a perspective view of a digital audio disc player for  
an automobile showing our new design;

FIG. 2 is a front view of the embodiment shown in FIG. 1;

FIG. 3 is a rear view of the embodiment shown in FIGS. 1–2;

FIG. 4 is a right side view of the embodiment shown in  
FIGS. 1–3;

FIG. 5 is a left side view of the embodiment shown in FIGS.  
1–4;

FIG. 6 is a top view of the embodiment shown in FIGS. 1–5;

FIG. 7 is a bottom view of the embodiment shown in FIGS.  
1–6; and,

FIG. 8 is a perspective view of the embodiment shown in  
FIGS. 1–7, with a face lid in an open position.

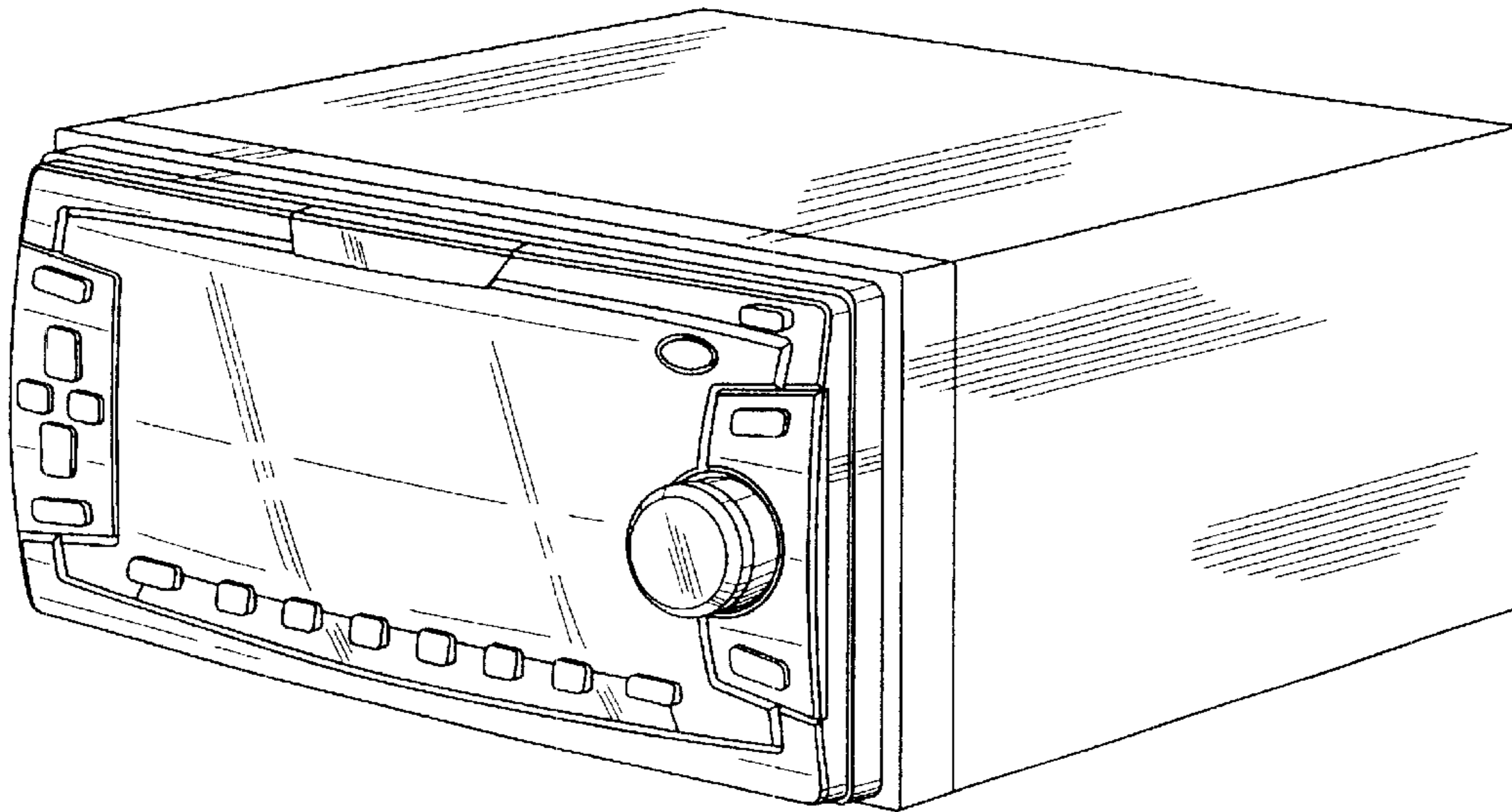
The broken line showing on FIG. 8 is for illustrative  
purposes only and forms no part of the claimed design.

(56) **References Cited**

**U.S. PATENT DOCUMENTS**

5,848,042 A \* 12/1998 Takahashi et al. .... 369/75.1  
D407,704 S \* 4/1999 Ichijima et al. .... D14/157  
5,953,302 A \* 9/1999 Kobayashi ..... 369/75.1  
D430,562 S \* 9/2000 Richards ..... D14/258  
D443,609 S \* 6/2001 Buckingham et al. .... D14/258

**1 Claim, 4 Drawing Sheets**



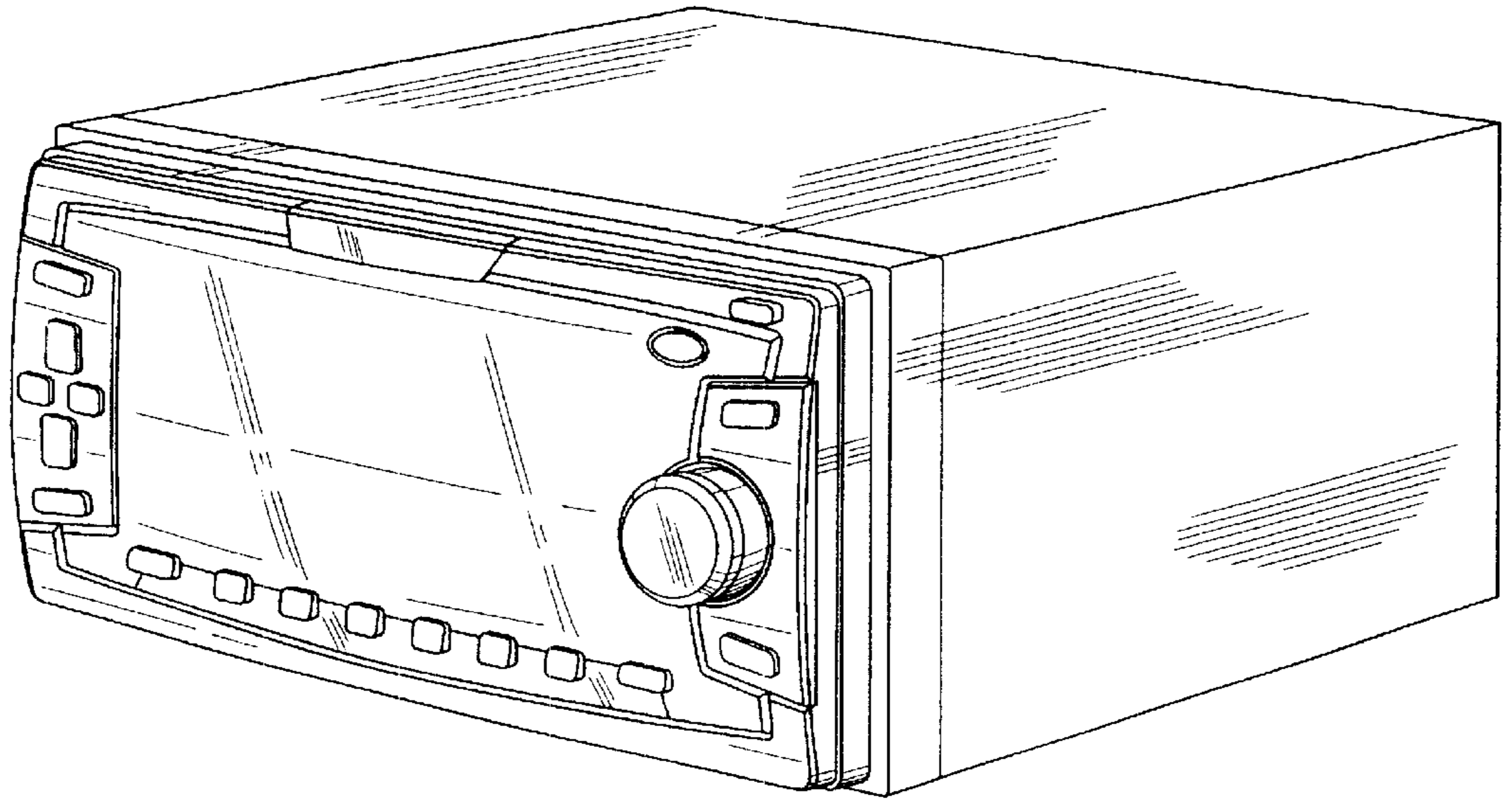


FIG. 1

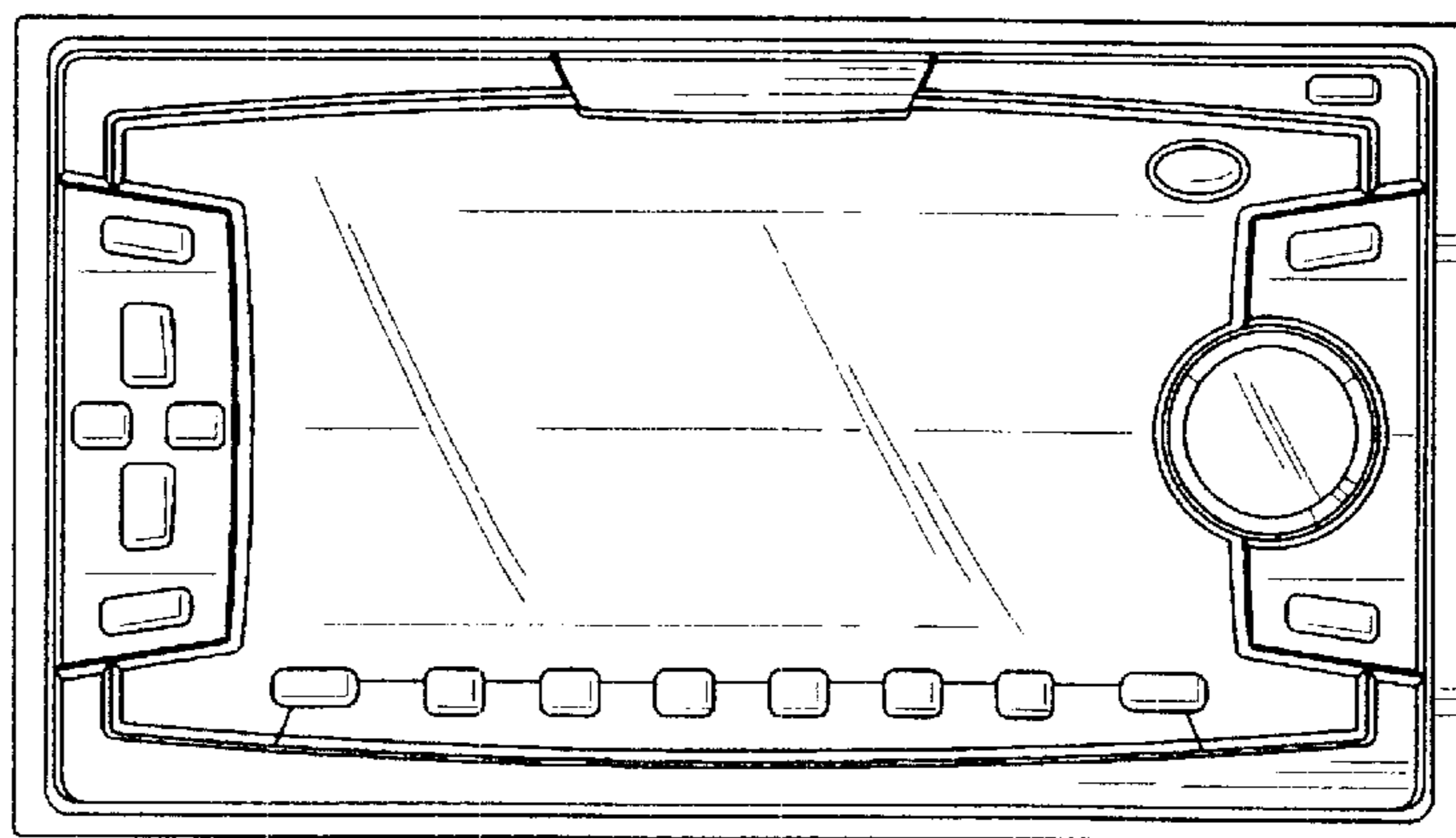


FIG. 2

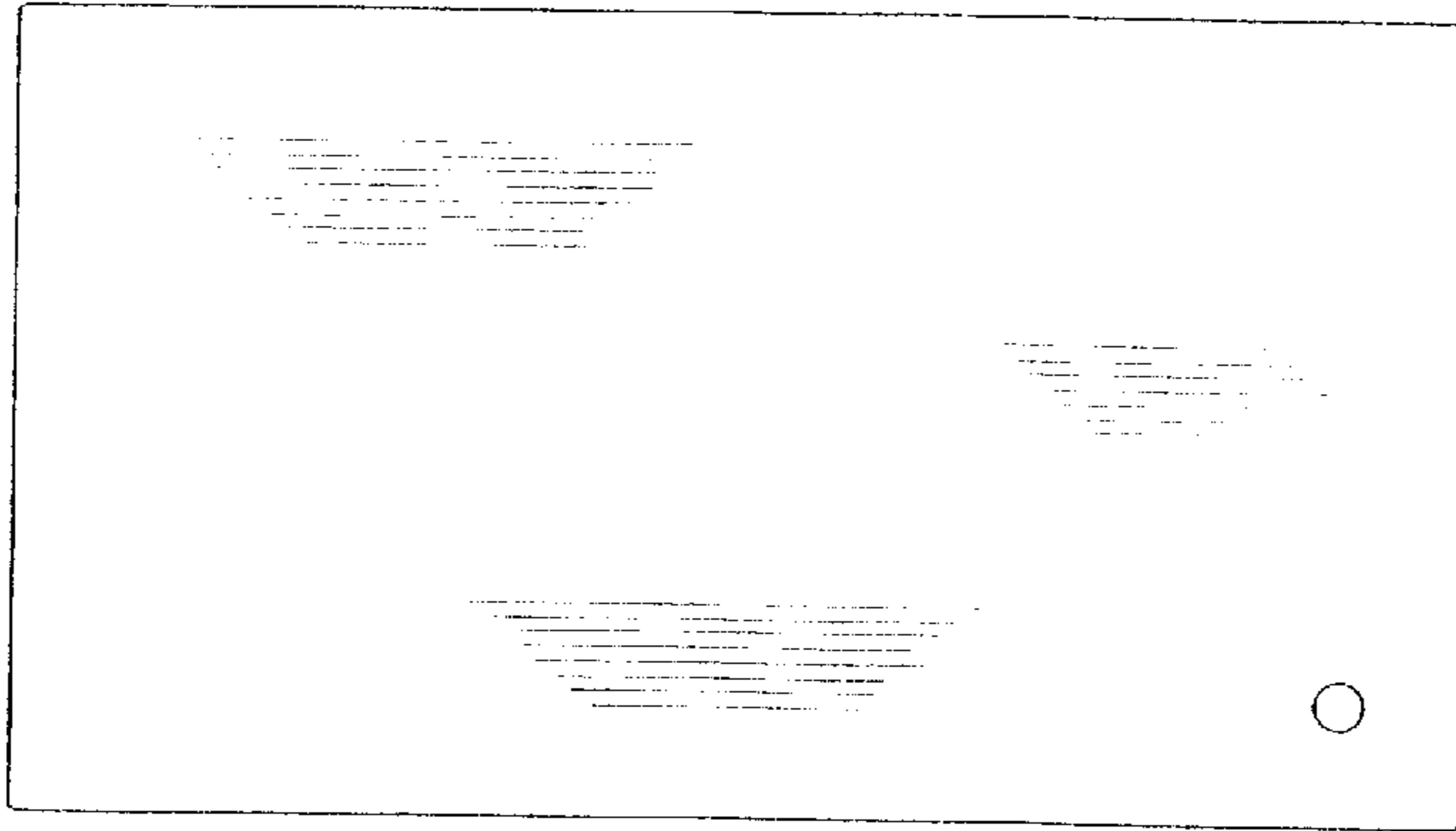


FIG. 3

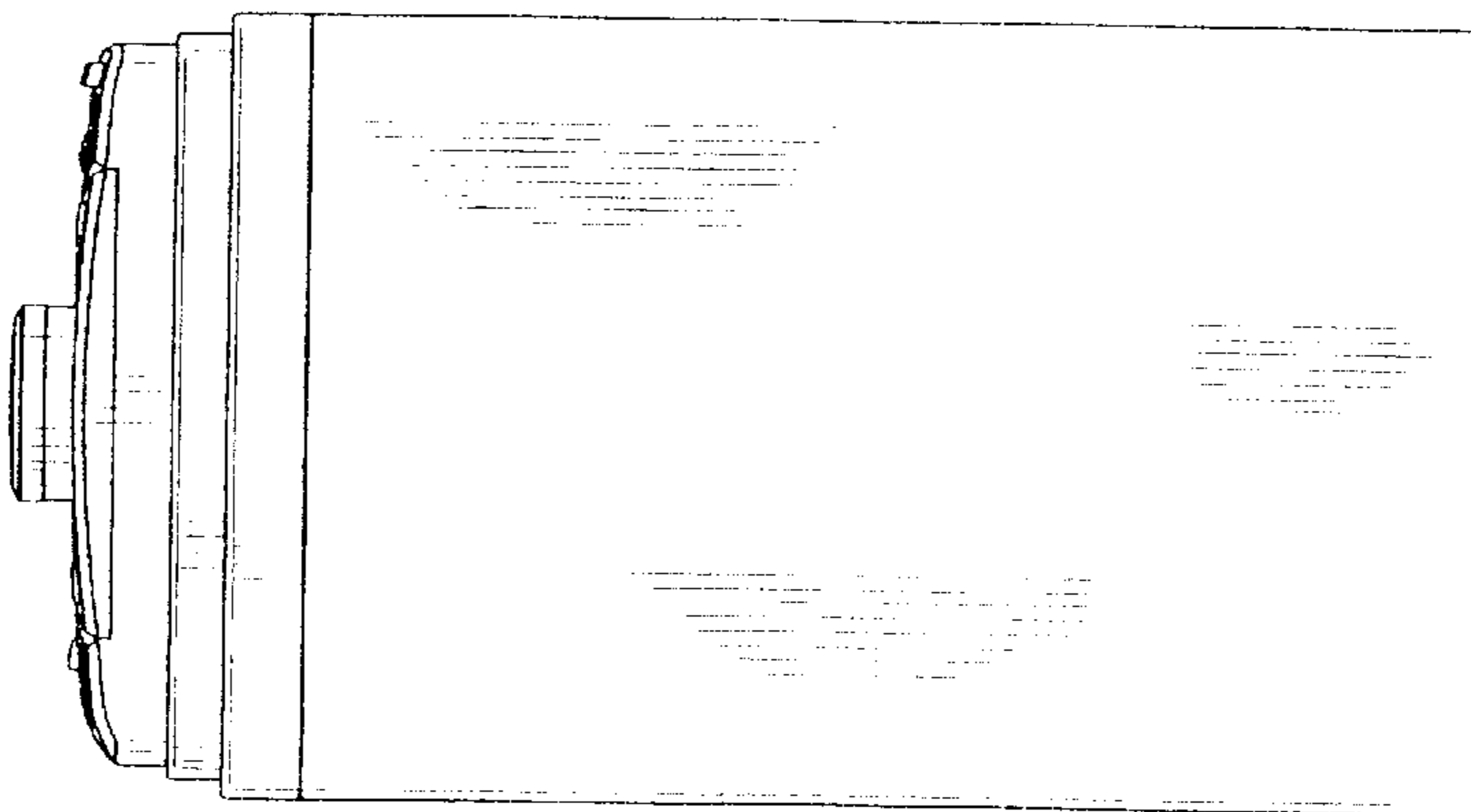


FIG. 4

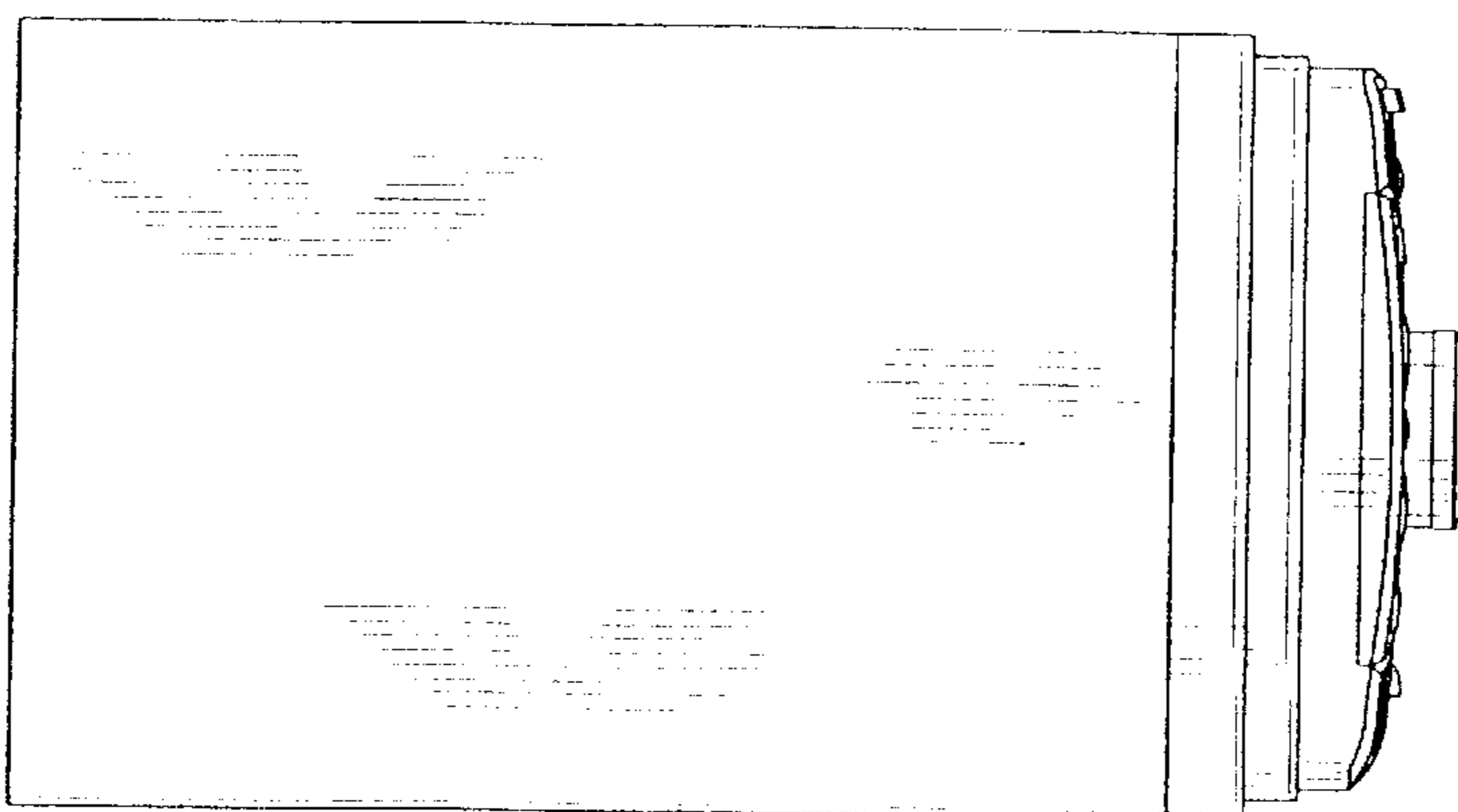


FIG. 5

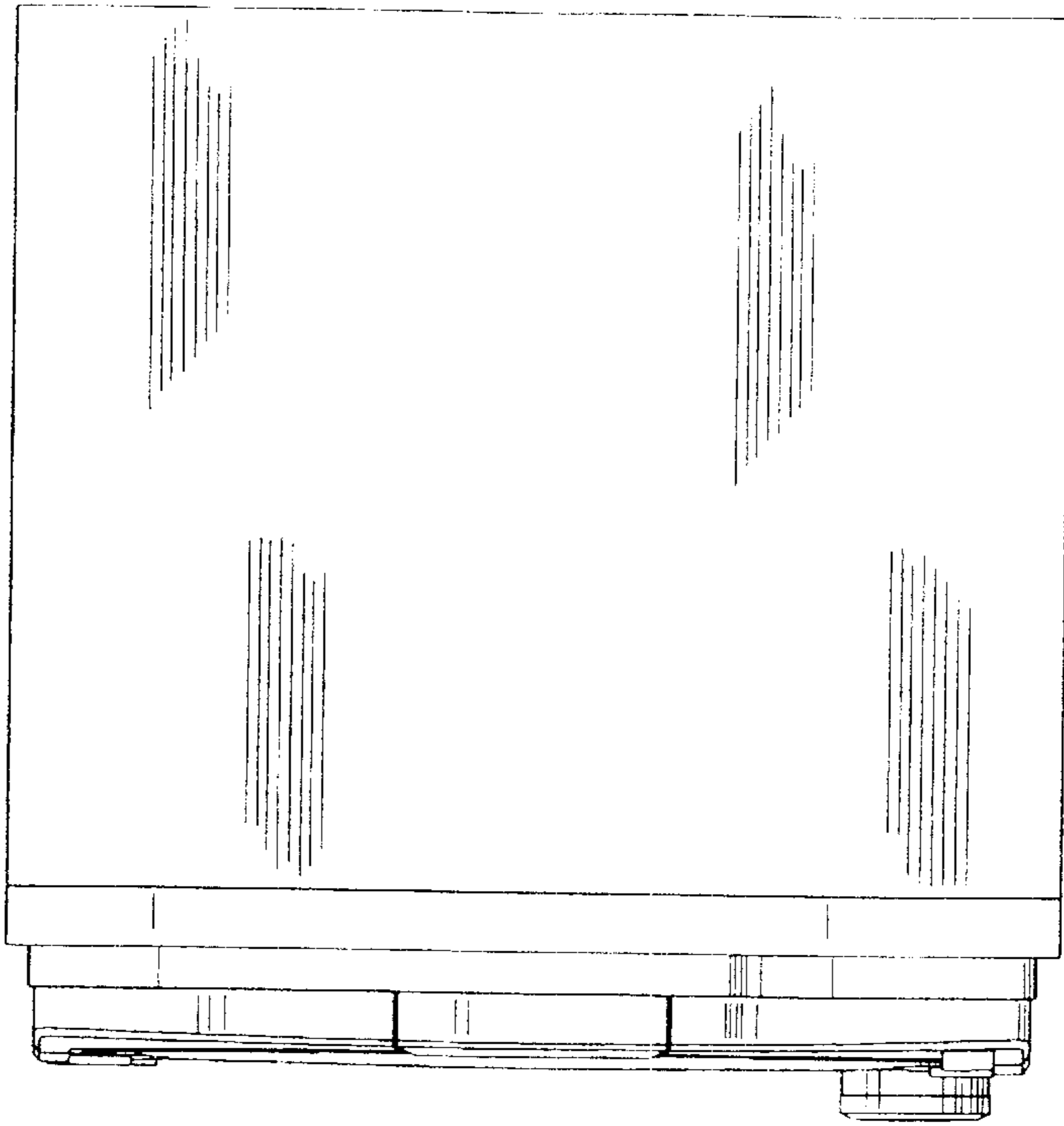


FIG. 6

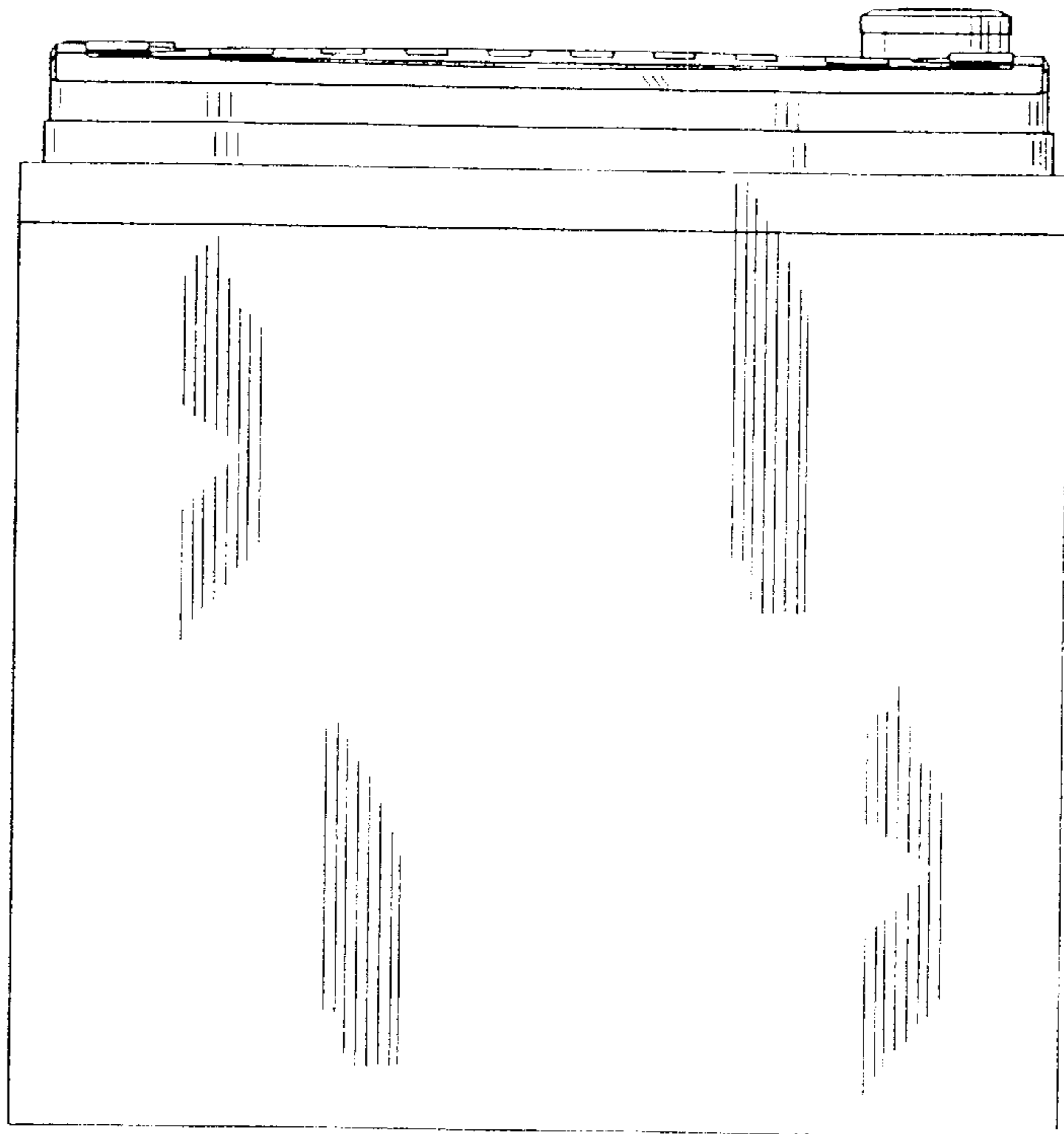


FIG. 7

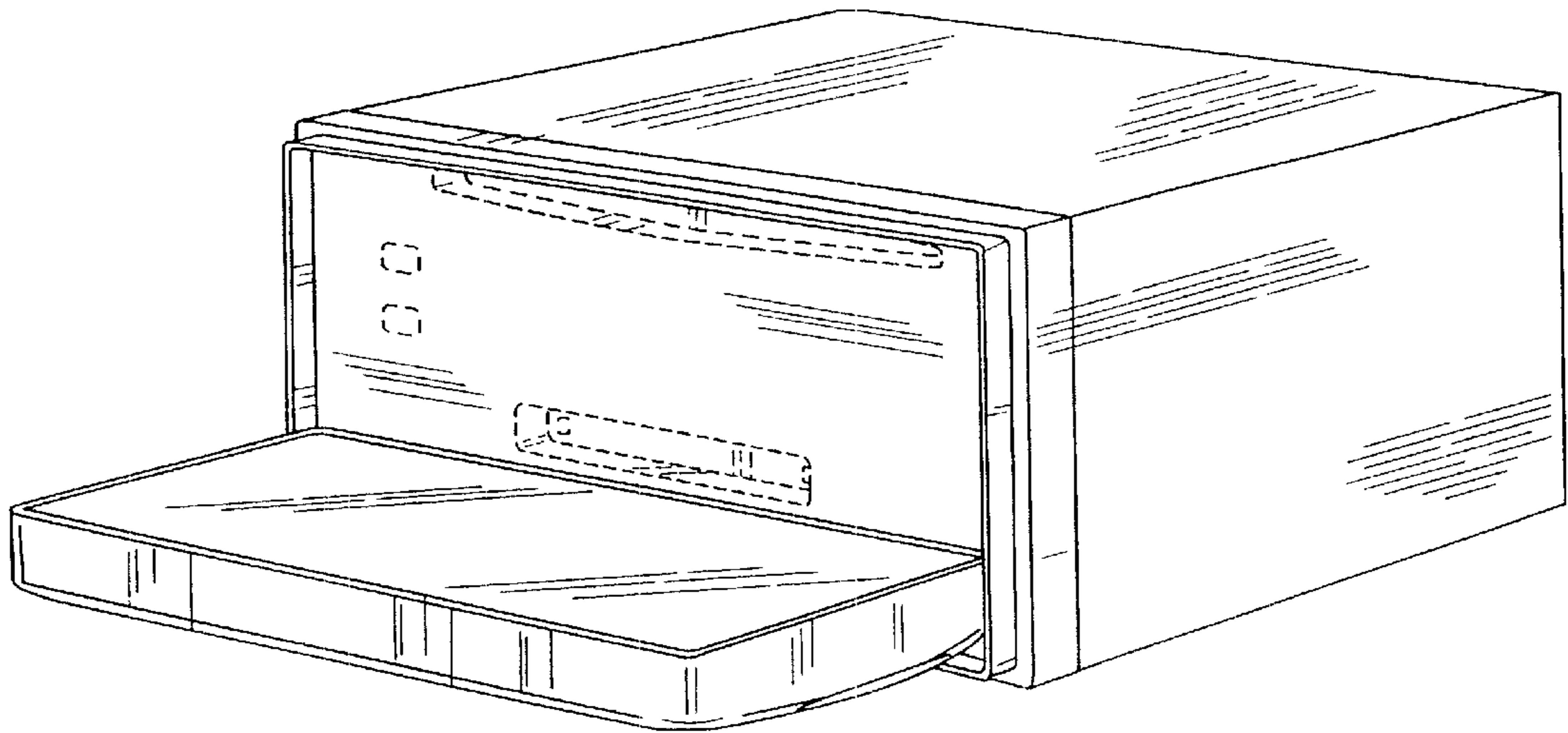


FIG. 8