



US00D475685S

(12) **United States Design Patent**
Cheng et al.

(10) **Patent No.:** **US D475,685 S**

(45) **Date of Patent:** **** Jun. 10, 2003**

(54) **FUSE**

(76) **Inventors:** **Wen Tzung Cheng**, No. 78, Chao Chou St., Tao Yuan City (TW); **Wen Ho Cheng**, No. 78, Chao Chou St., Tao Yuan City (TW)

(**) **Term:** **14 Years**

(21) **Appl. No.:** **29/161,976**

(22) **Filed:** **Jun. 10, 2002**

(51) **LOC (7) Cl.** **13-03**

(52) **U.S. Cl.** **D13/161**

(58) **Field of Search** D13/160, 161, D13/178; 337/186, 188, 198, 201, 227, 255, 272, 290; 439/354, 557, 621, 622

(56) **References Cited**

U.S. PATENT DOCUMENTS

502,541	A	*	8/1893	Thalacker	337/227
D325,193	S	*	4/1992	Kudo	D13/161
5,293,147	A	*	3/1994	Oh et al.	337/227
5,346,411	A	*	9/1994	Nikkinen	439/621
5,854,583	A	*	12/1998	Falchetti	337/290

D419,532	S	*	1/2000	Hibayashi	D13/161
6,067,004	A	*	5/2000	Hibayashi et al.	337/227
6,275,135	B1	*	8/2001	Hibayashi et al.	337/227
D454,842	S	*	3/2002	Ohashi et al.	D13/161
6,448,882	B1	*	9/2002	Inaba et al.	337/227

* cited by examiner

Primary Examiner—Ted Shooman

Assistant Examiner—Selina Sikder

(74) *Attorney, Agent, or Firm*—Birch, Stewart, Kolasch & Birch, LLP

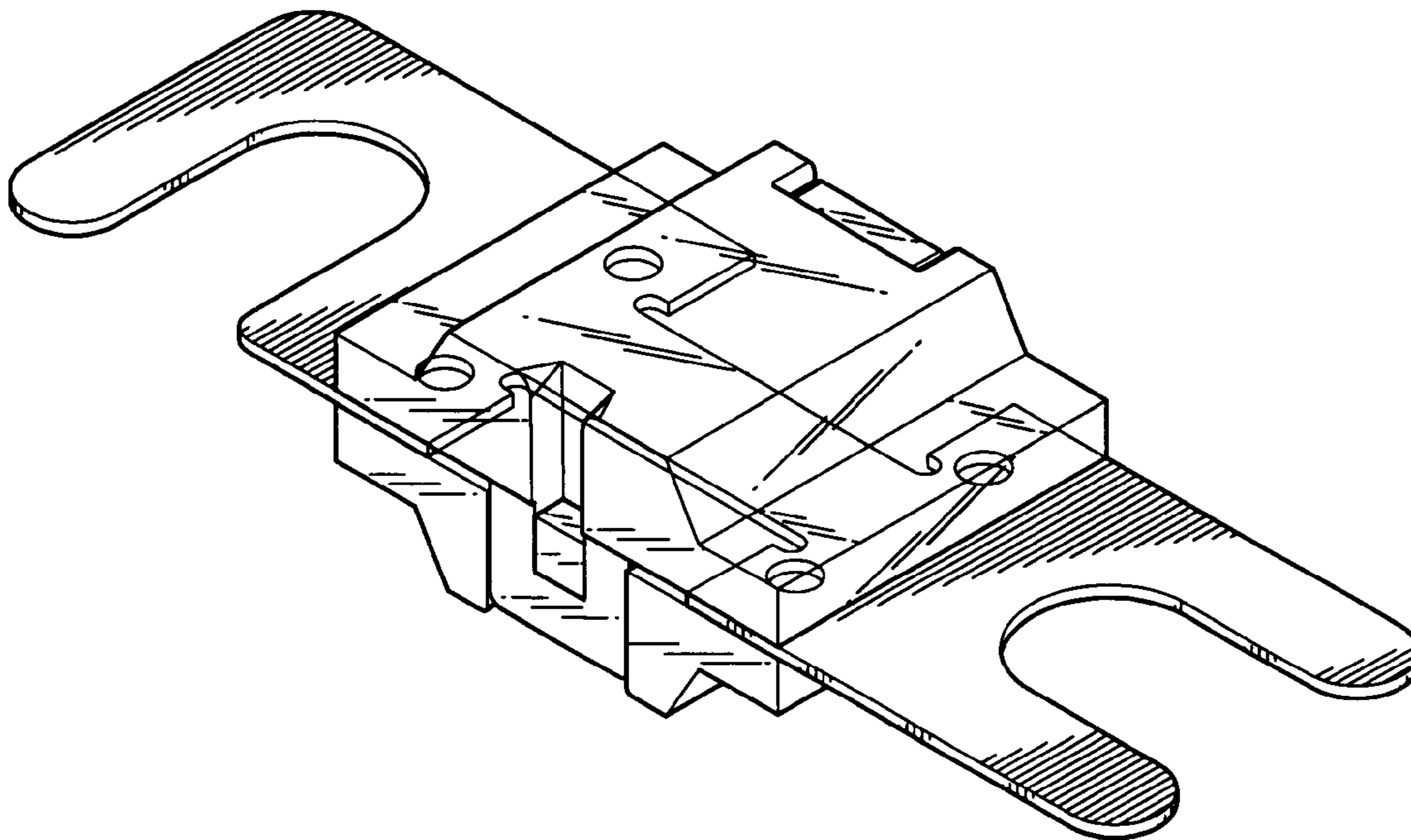
(57) **CLAIM**

The ornamental design for a “fuse”, as shown and described.

DESCRIPTION

FIG. 1 is a perspective view of a “fuse” showing us new design;
FIG. 2 is a front view thereof;
FIG. 3 is a rear view thereof;
FIG. 4 is a left side view thereof;
FIG. 5 is a right side view thereof;
FIG. 6 is a top view thereof; and,
FIG. 7 is a bottom view thereof.

1 Claim, 4 Drawing Sheets



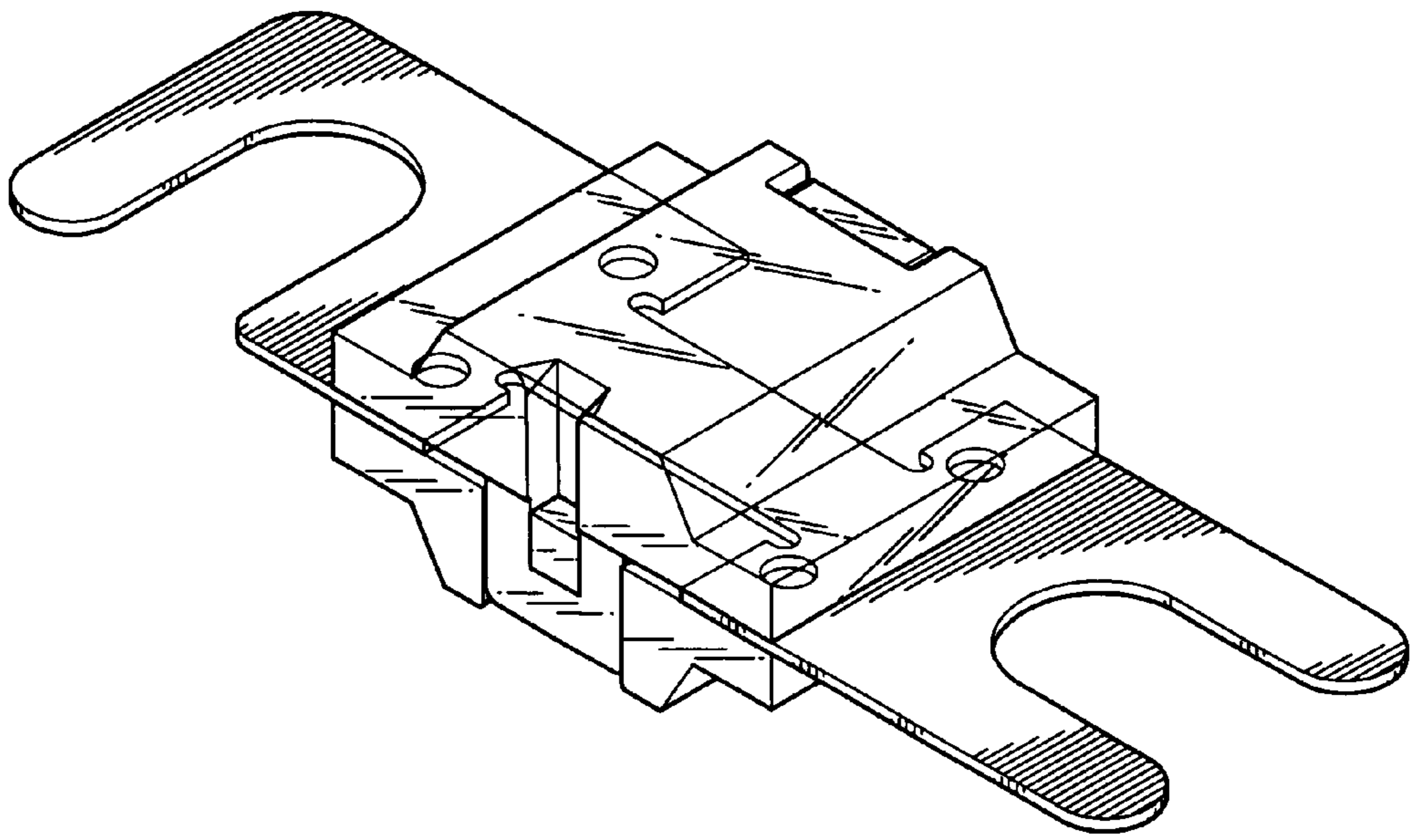


FIG. 1

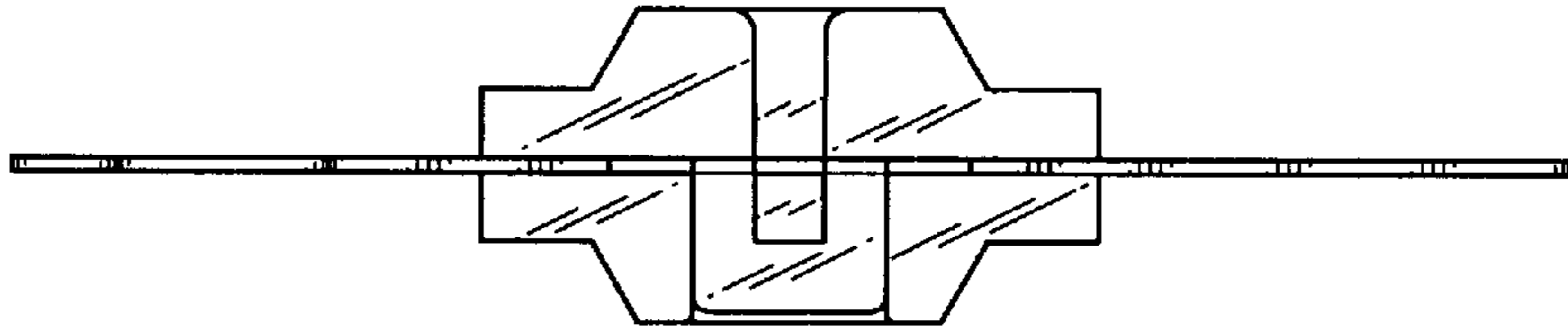


FIG. 2

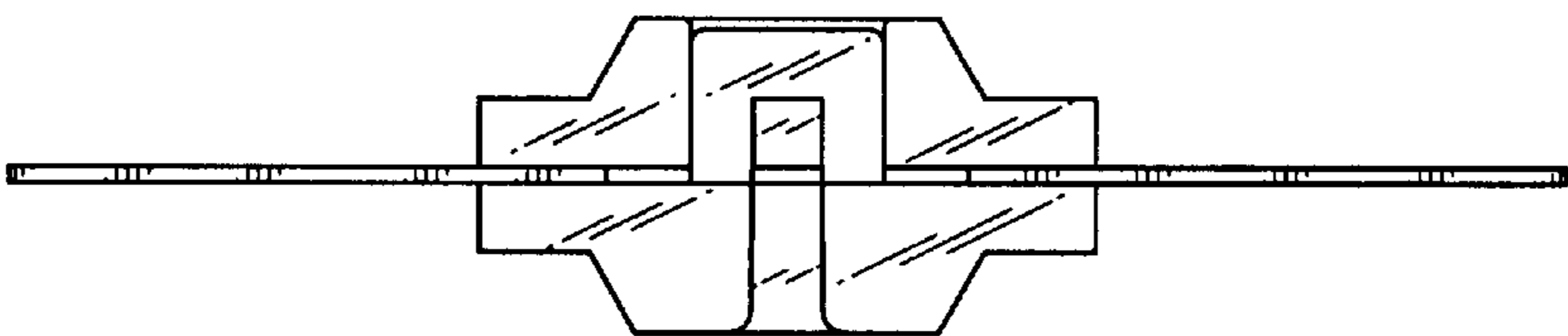


FIG. 3

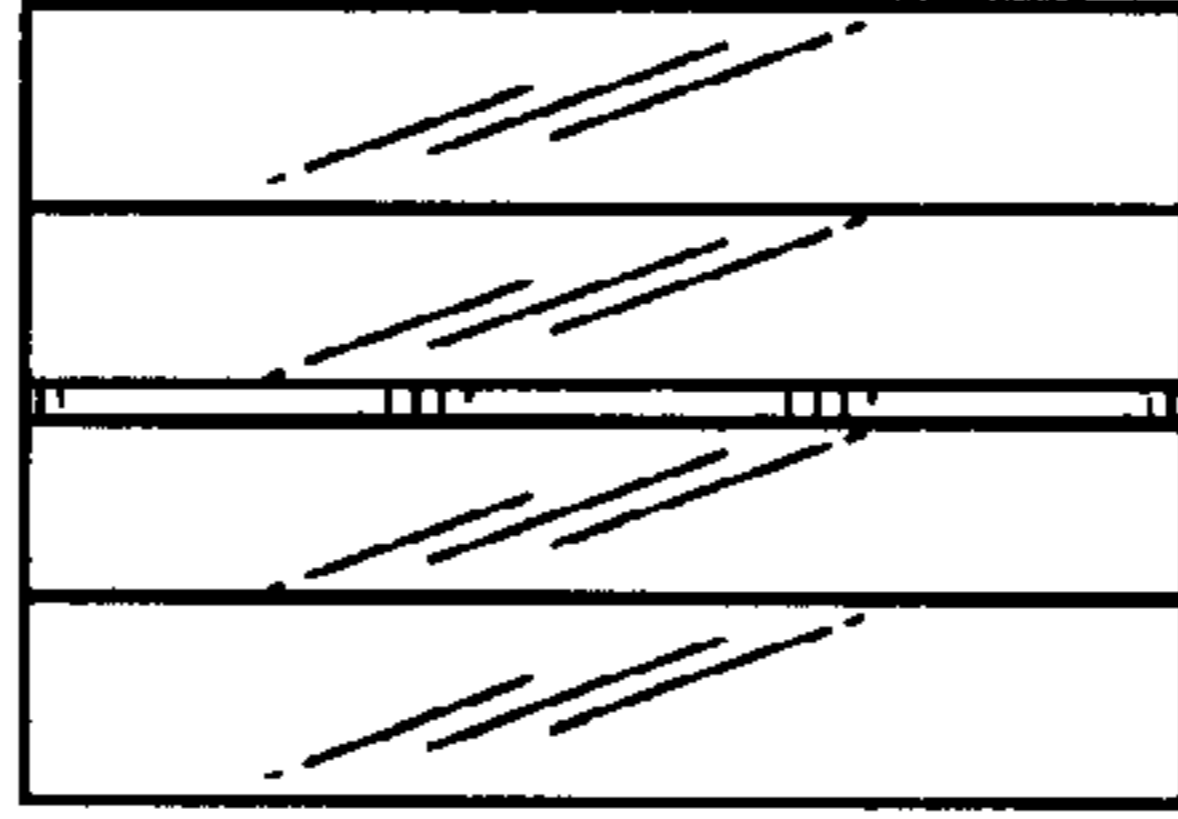


FIG. 4

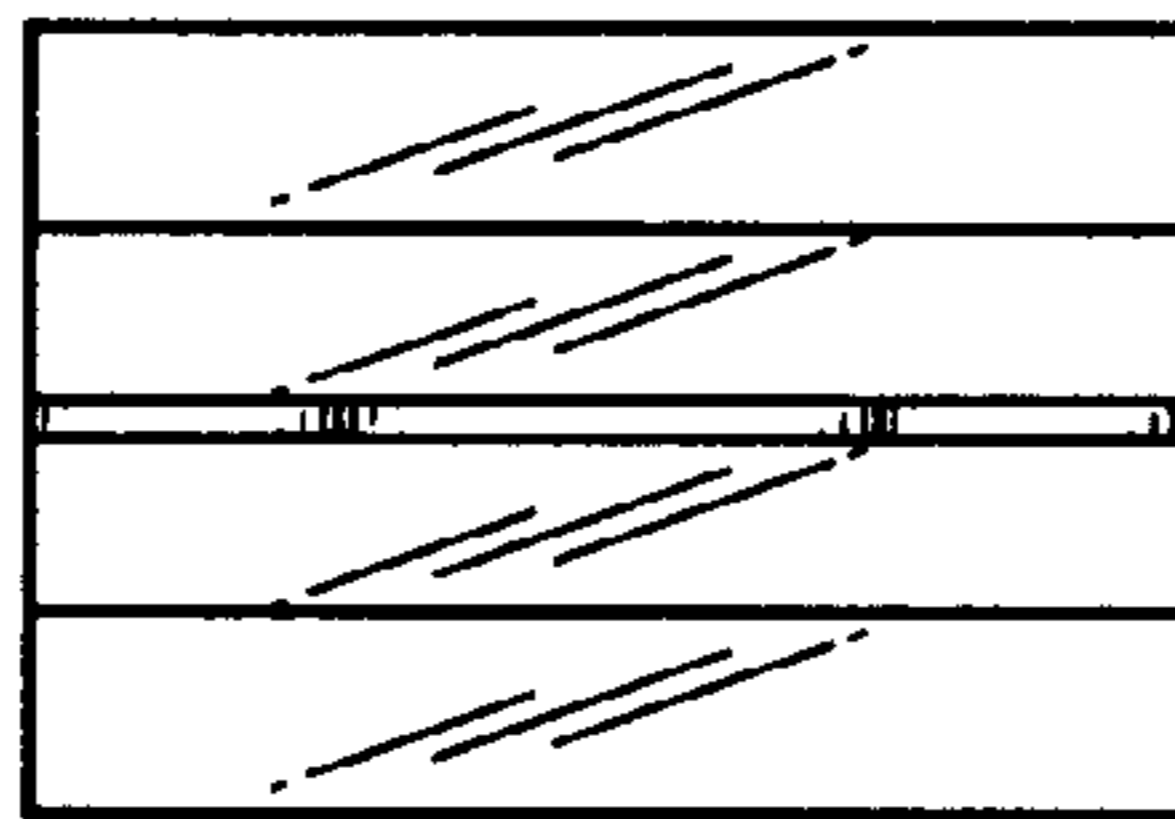


FIG. 5

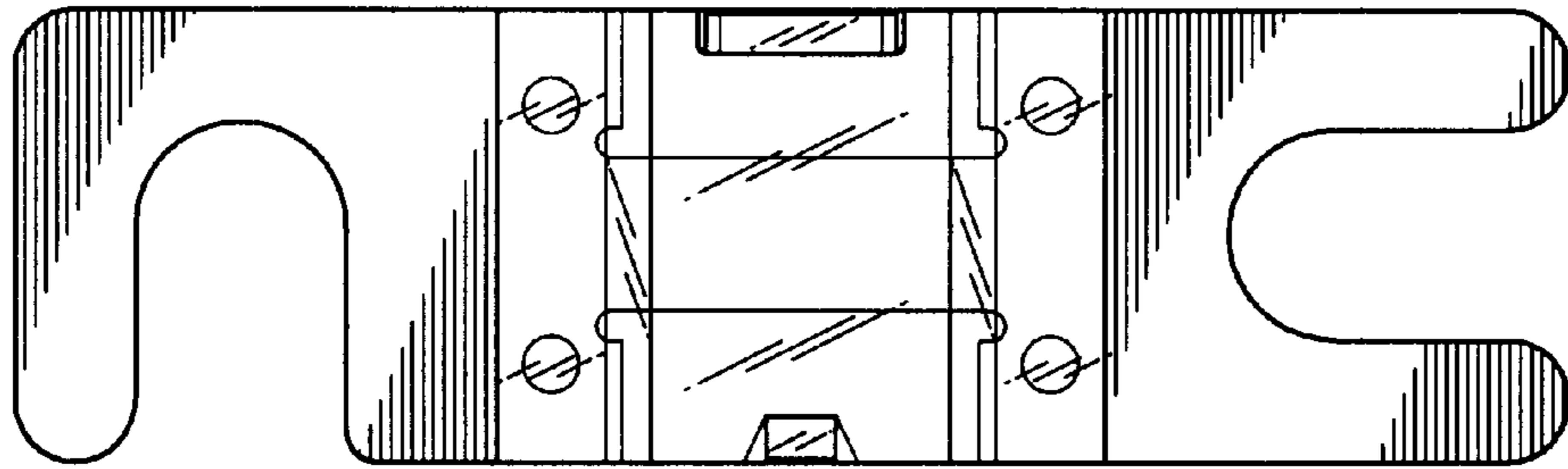


FIG. 6

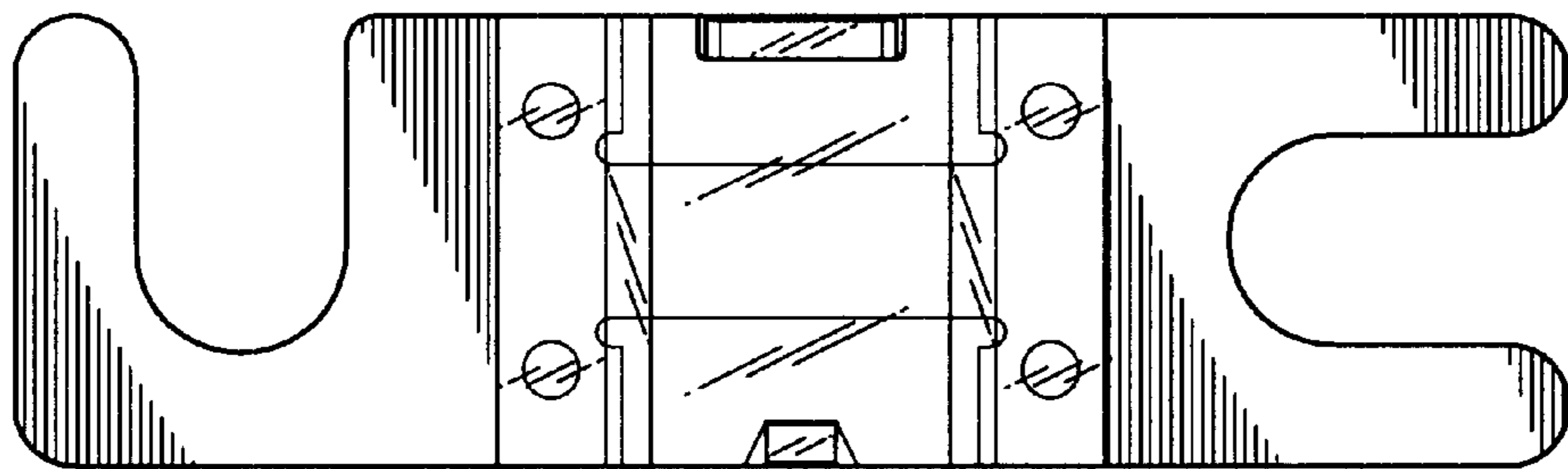


FIG. 7