



US00D475681S

(12) **United States Design Patent**
Ho

(10) **Patent No.:** **US D475,681 S**

(45) **Date of Patent:** **** Jun. 10, 2003**

(54) **PANEL FOR A POWER SUPPLY DEVICE**

(75) Inventor: **Lien-Hsun Ho**, Taipei (TW)

(73) Assignee: **Cyber Power System Inc.**, Taipei (TW)

(**) Term: **14 Years**

(21) Appl. No.: **29/160,219**

(22) Filed: **May 6, 2002**

(51) **LOC (7) Cl.** **14-01**

(52) **U.S. Cl.** **D13/118**

(58) **Field of Search** D13/118, 177,
D13/164; D14/240, 140, 142; 307/66, 150

(56) **References Cited**

U.S. PATENT DOCUMENTS

D346,154 S * 4/1994 Alden et al.
D381,637 S * 7/1997 Haider et al. D13/184

FOREIGN PATENT DOCUMENTS

JP 2000174472 * 6/2000

* cited by examiner

Primary Examiner—Holly Baynham
(74) *Attorney, Agent, or Firm*—Alan Kamrath; Rider,
Bennett, Egan & Arundel, LLP

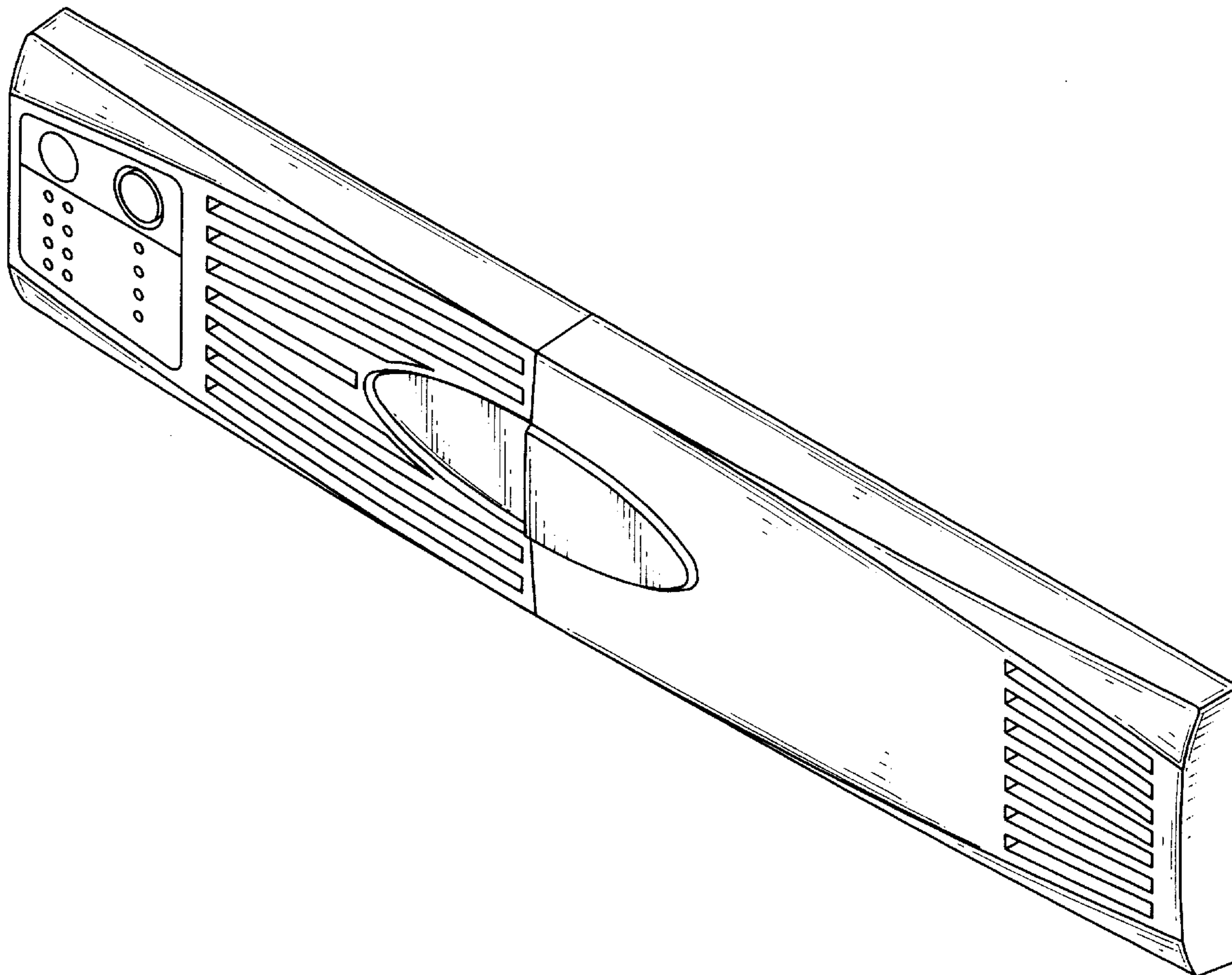
(57) **CLAIM**

The ornamental design for a panel for a power supply device, as shown and described.

DESCRIPTION

FIG. 1 is a perspective view of a panel for a power supply device, showing my new design;
FIG. 2 is a front elevational view thereof;
FIG. 3 is a rear elevational view thereof;
FIG. 4 is a left elevational view thereof;
FIG. 5 is a right elevational view thereof;
FIG. 6 is a top plan view thereof;
FIG. 7 is a bottom plan view thereof; and,
FIG. 8 is an environmental perspective view thereof with the broken line showing of a power supply being for illustrative purposes only and forming no part of the claimed design.

1 Claim, 4 Drawing Sheets



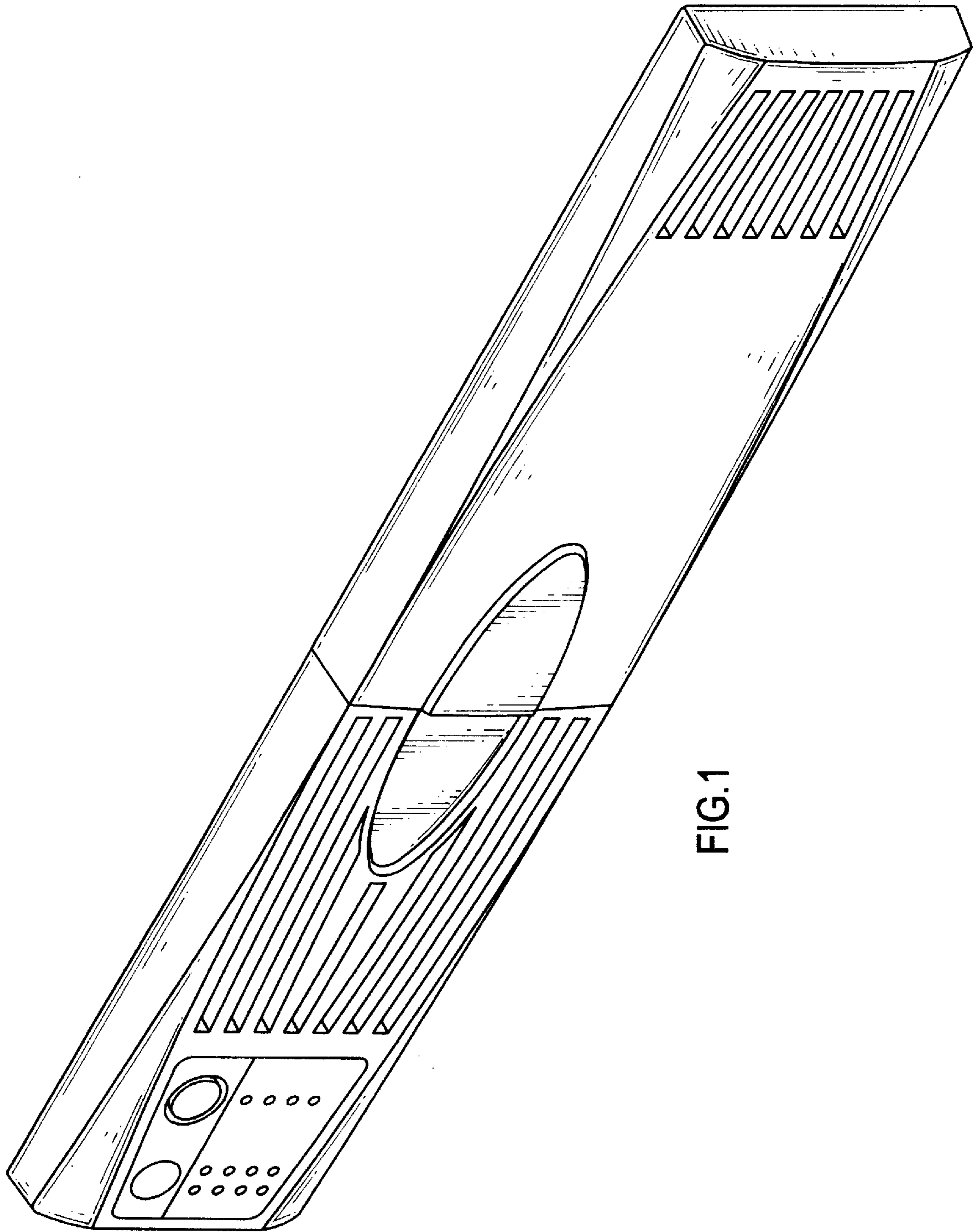


FIG.1

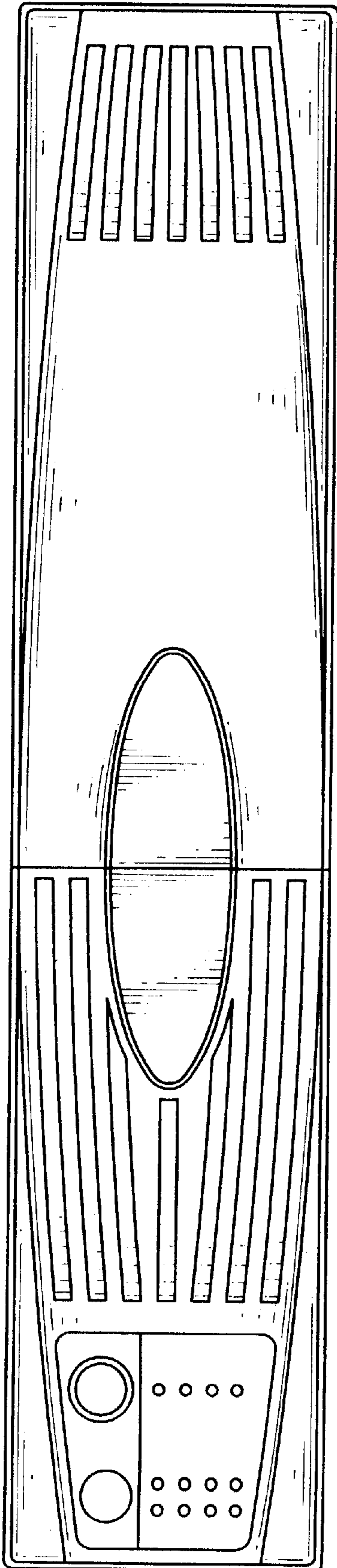


FIG. 2

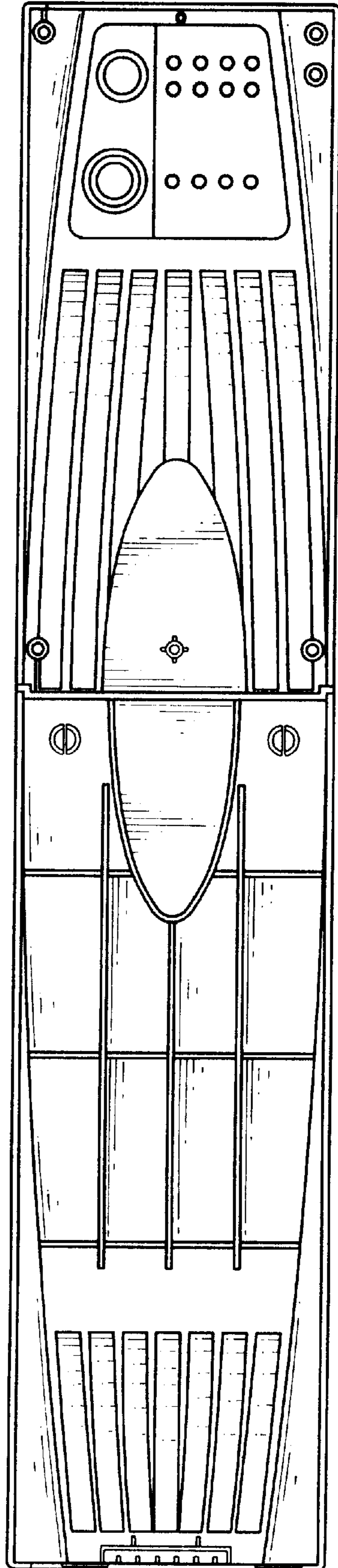


FIG. 3

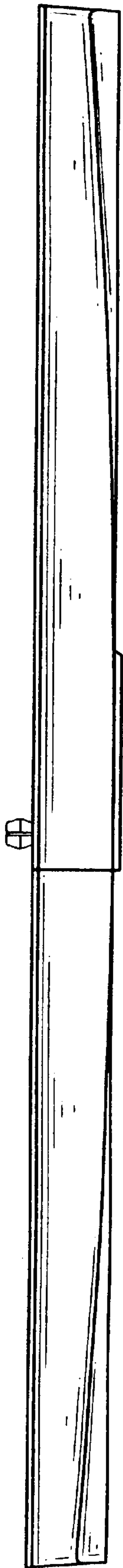


FIG. 6

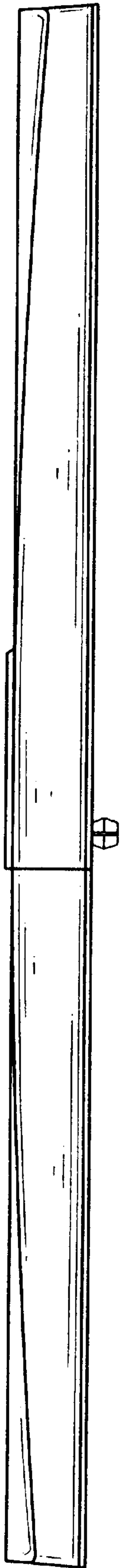


FIG. 7

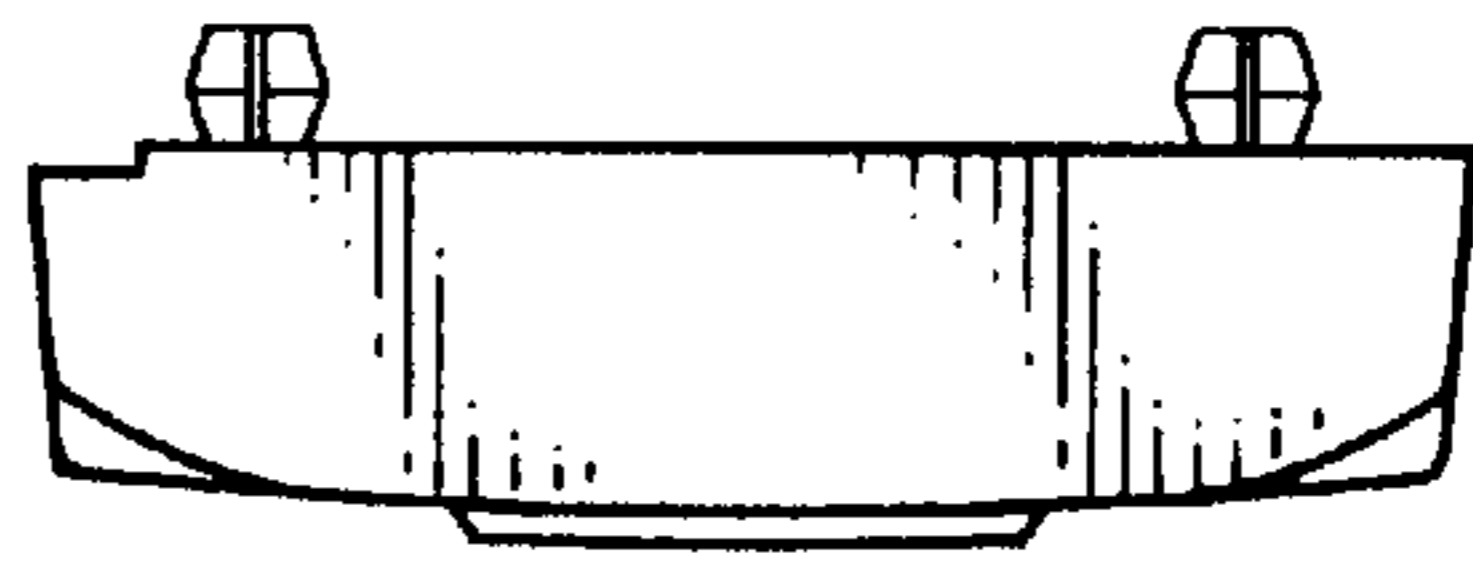


FIG. 4



FIG. 5

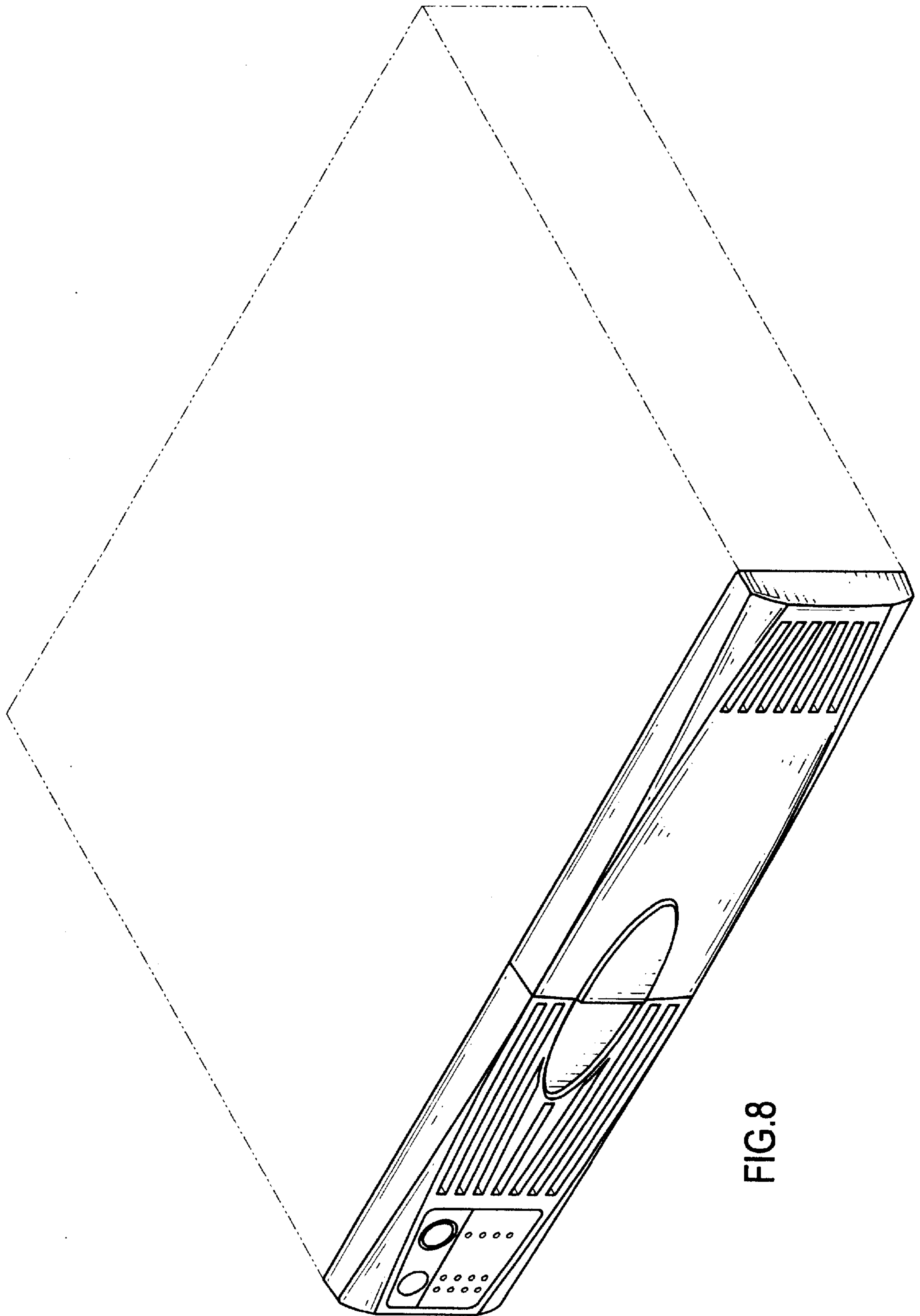


FIG.8