



US00D475680S

(12) **United States Design Patent**
Krieger et al.

(10) **Patent No.:** **US D475,680 S**

(45) **Date of Patent:** **** Jun. 10, 2003**

(54) **WHEELED BATTERY CHARGER WITH
INVERTER AND COMPRESSOR**

(75) Inventors: **Michael Krieger**, Miami Beach, FL
(US); **Kevin Ellsworth**, Hollywood, FL
(US)

(73) Assignee: **Vector Products, Inc.**, Ft. Lauderdale,
FL (US)

(**) Term: **14 Years**

(21) Appl. No.: **29/158,156**

(22) Filed: **Apr. 1, 2002**

(51) **LOC (7) Cl.** **13-02**

(52) **U.S. Cl.** **D13/109**

(58) **Field of Search** D13/109, 110;
D15/9; 320/105, 107, 111

(56) **References Cited**

U.S. PATENT DOCUMENTS

- D277,954 S * 3/1985 Mizushima D13/114
- 5,083,076 A * 1/1992 Scott 320/105
- D327,468 S * 6/1992 Dea et al. D13/109 X
- 5,781,853 A * 7/1998 Johnson 455/351
- 6,008,621 A * 12/1999 Madison et al. 320/107

- D423,451 S * 4/2000 Heckenast et al. D13/110
- D425,018 S * 5/2000 Madura et al. D13/110
- D427,969 S * 7/2000 Wei D13/110
- D450,061 S * 11/2001 Graber et al. D15/9
- D455,398 S * 4/2002 Frank et al. D13/110
- D464,935 S * 10/2002 Krieger et al. D13/110

* cited by examiner

Primary Examiner—Joel Sincavage

(74) *Attorney, Agent, or Firm*—Venable LLP; Robert
Kinberg

(57) **CLAIM**

The ornamental design for a wheeled battery charger with
inverter and compressor, as shown and described.

DESCRIPTION

FIG. 1 is a top-front-left perspective view of the wheeled
battery charger with inverter and compressor showing our
new design;

FIG. 2 is a front view of the design shown in FIG. 1;

FIG. 3 is a back view of the design shown in FIG. 1;

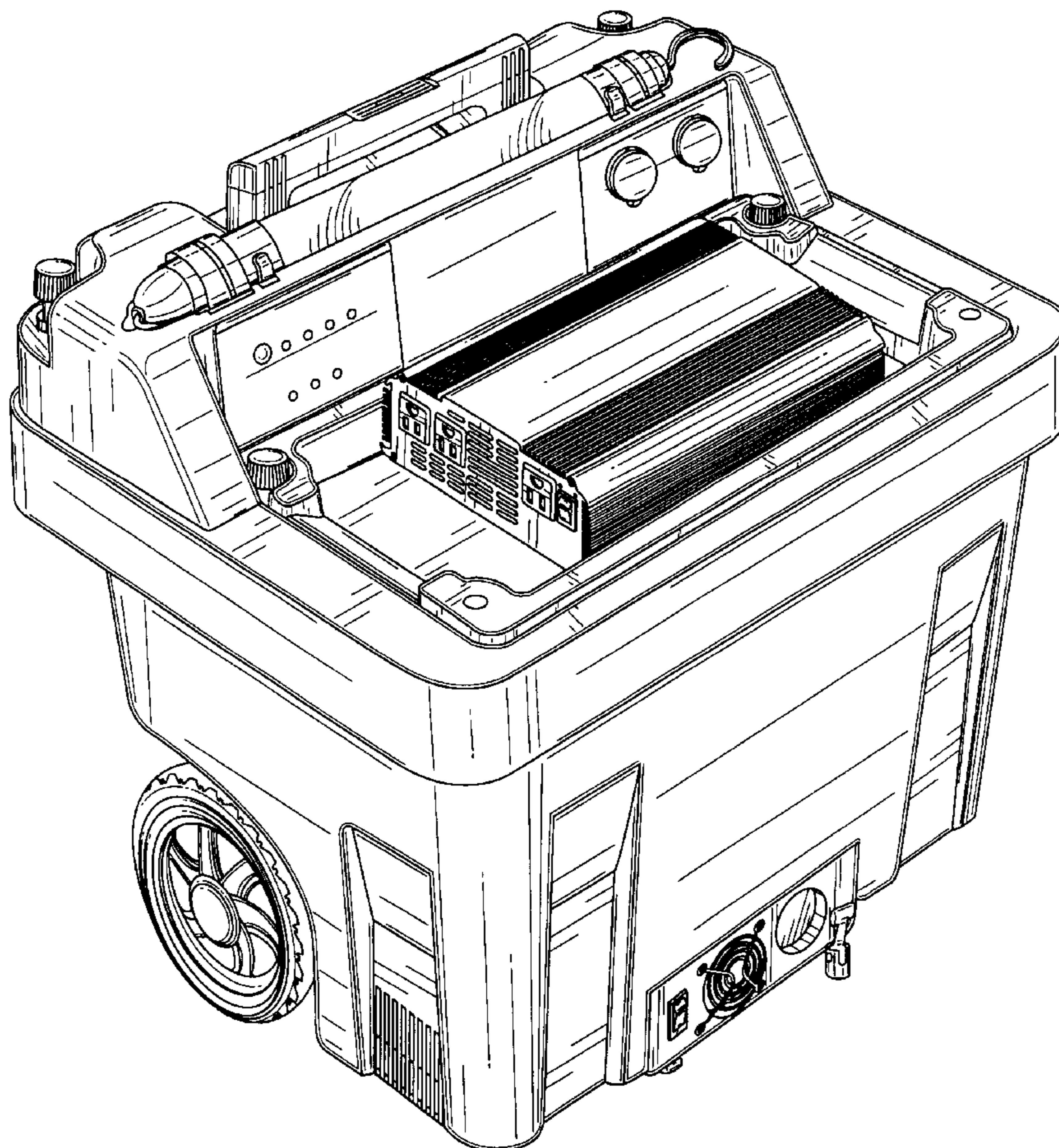
FIG. 4 is a right side view of the design shown in FIG. 1;

FIG. 5 is a left side view of the design shown in FIG. 1;

FIG. 6 is a top view of the design shown in FIG. 1; and,

FIG. 7 is a bottom view of the design shown in FIG. 1.

1 Claim, 7 Drawing Sheets



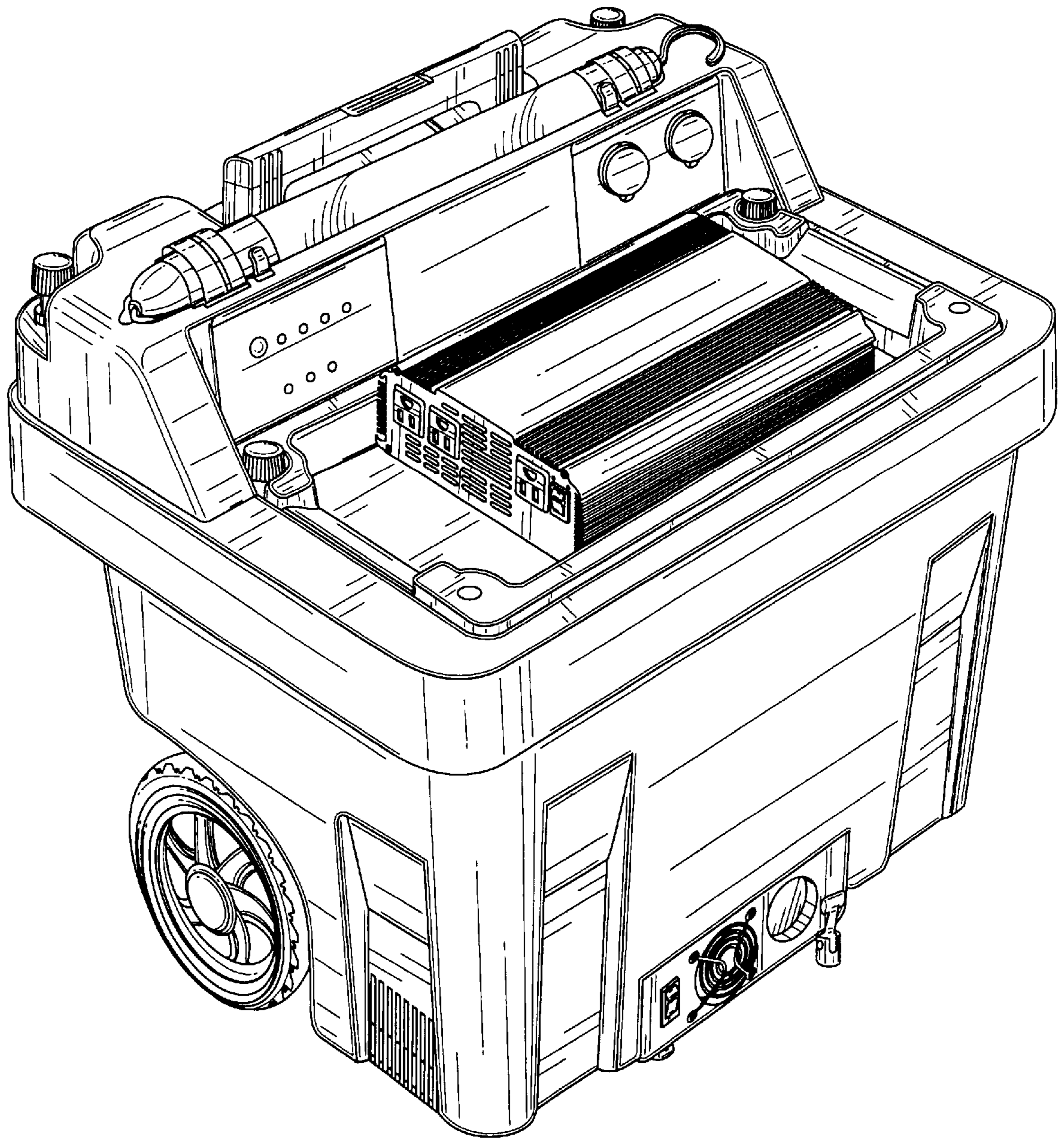


FIG. 1

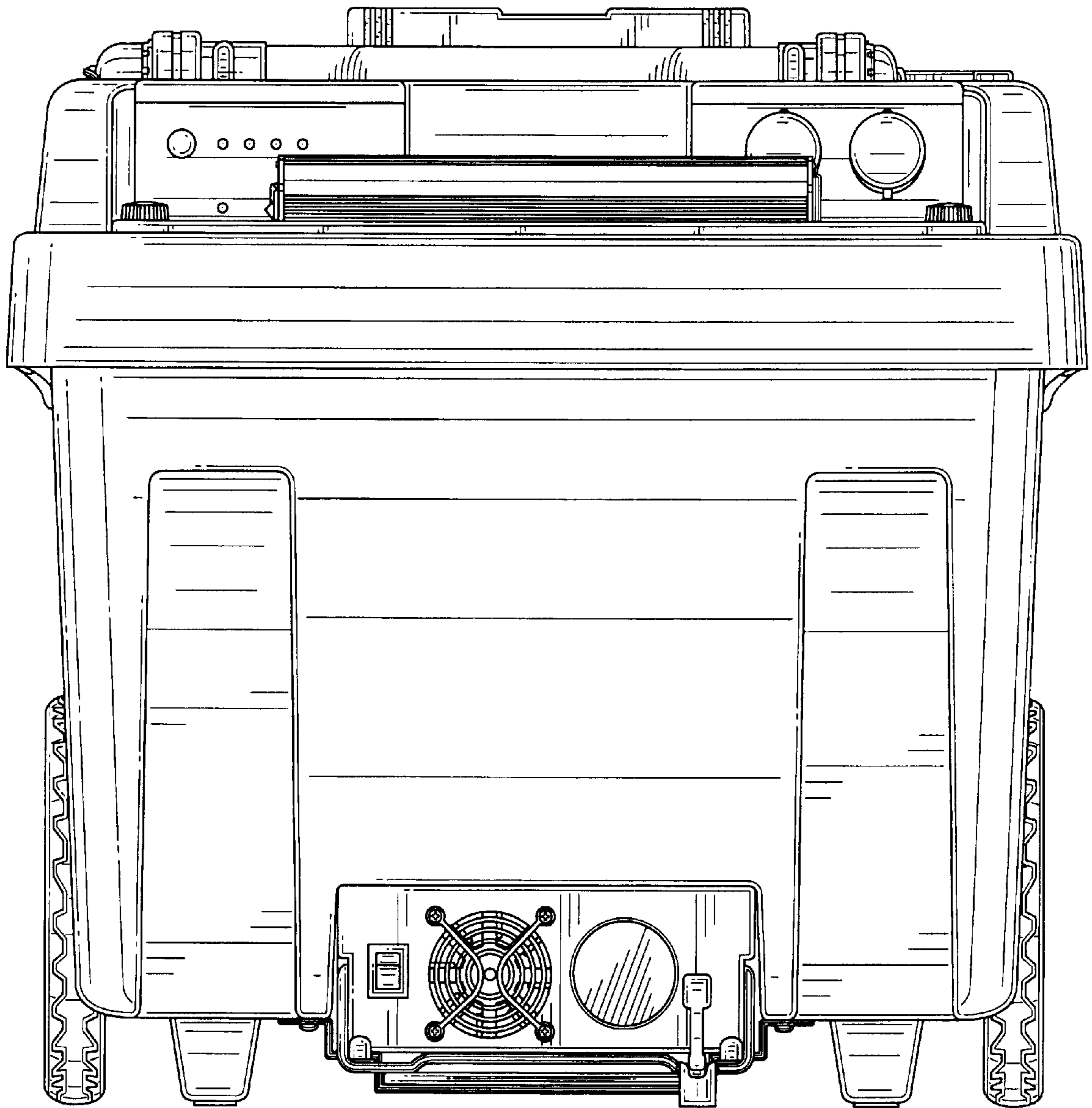


FIG. 2

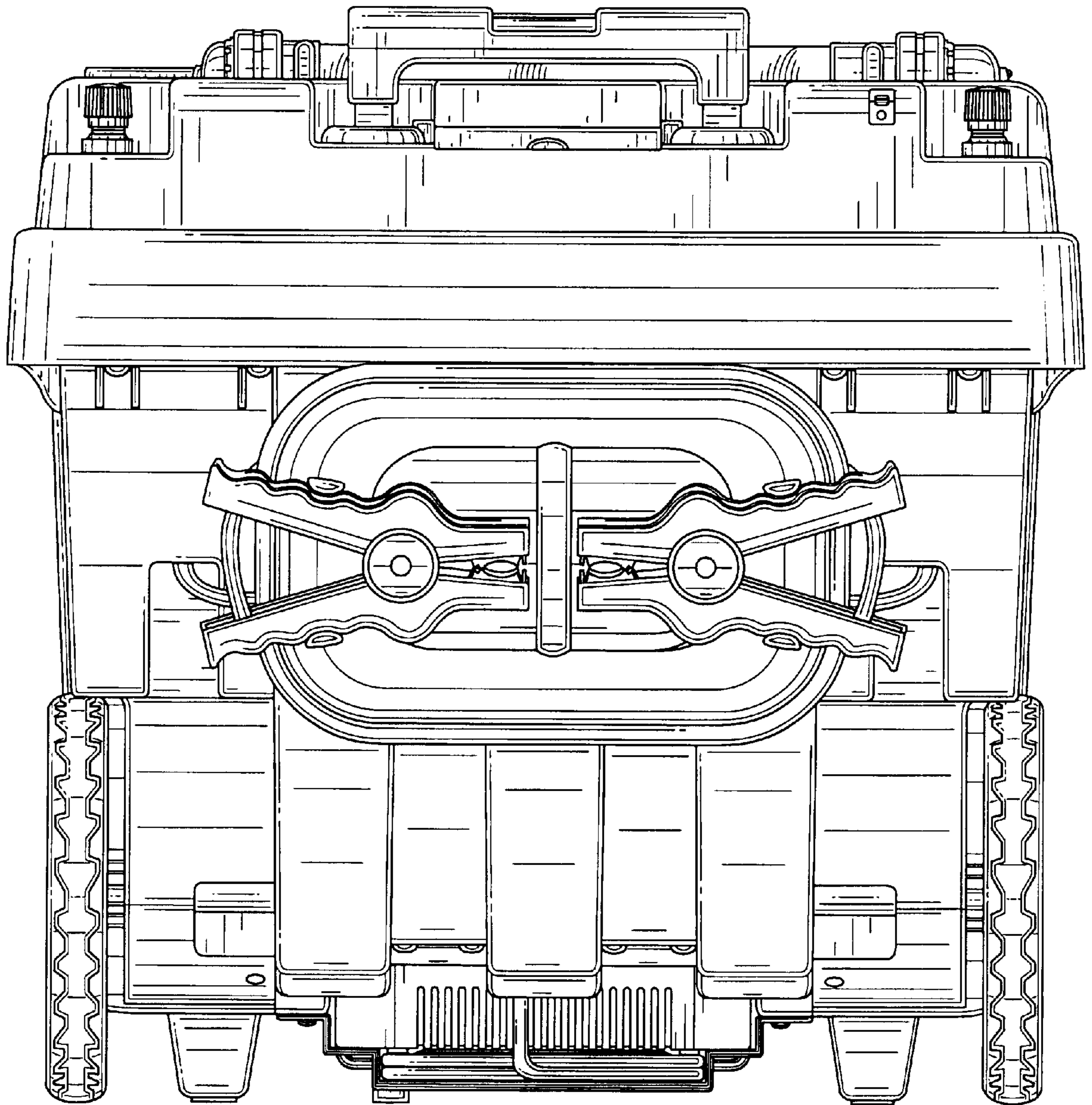


FIG. 3

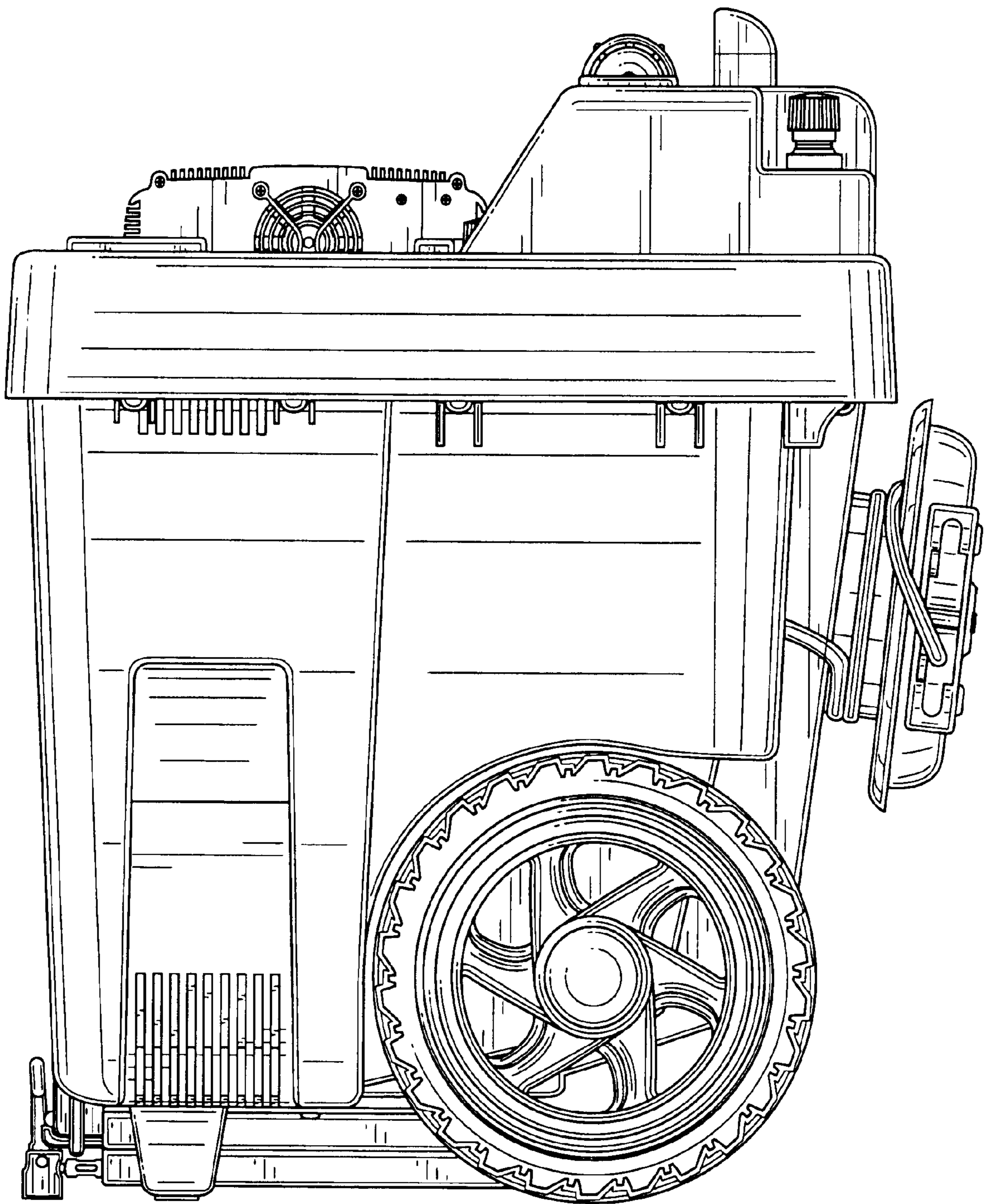


FIG. 4

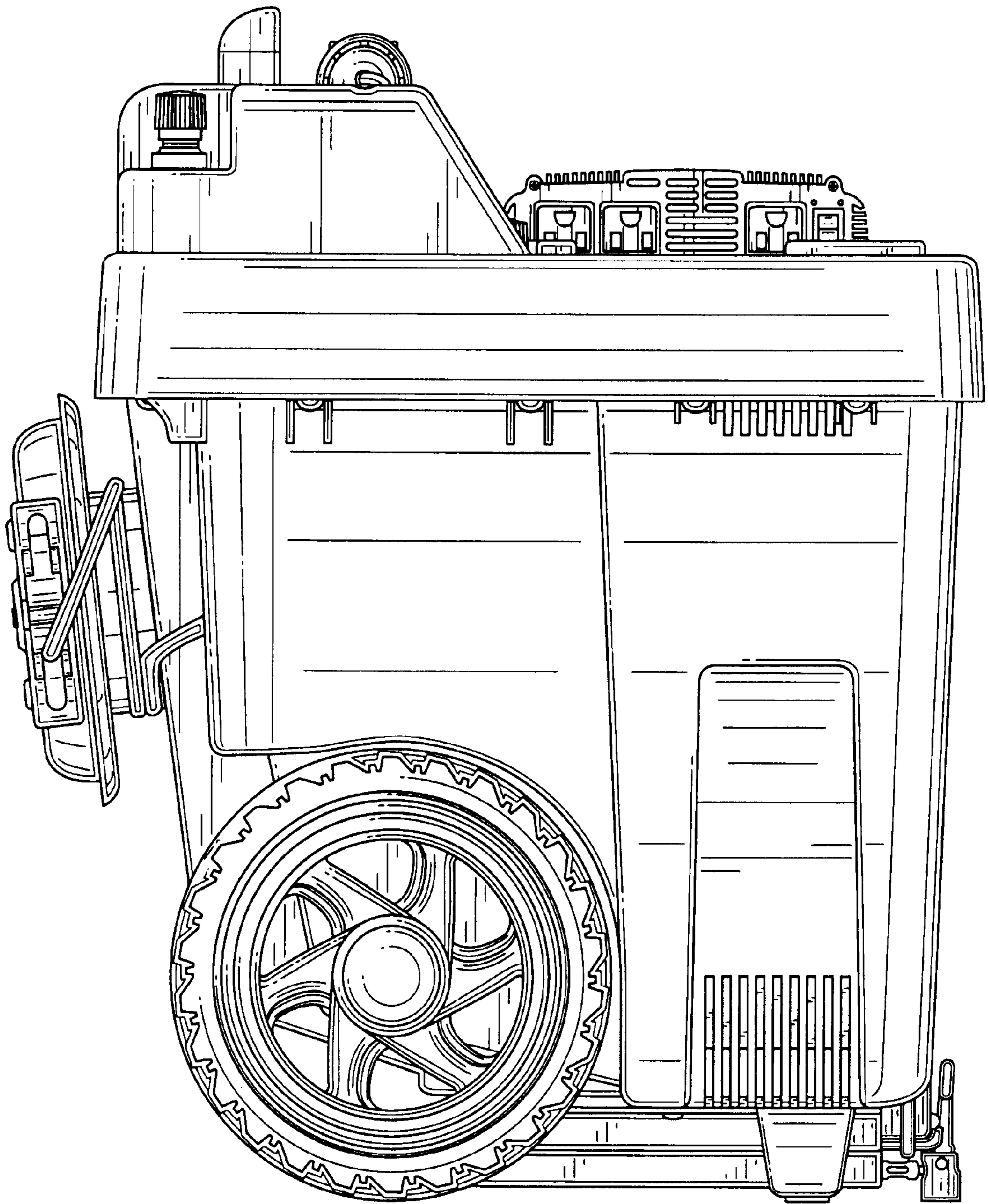


FIG. 5

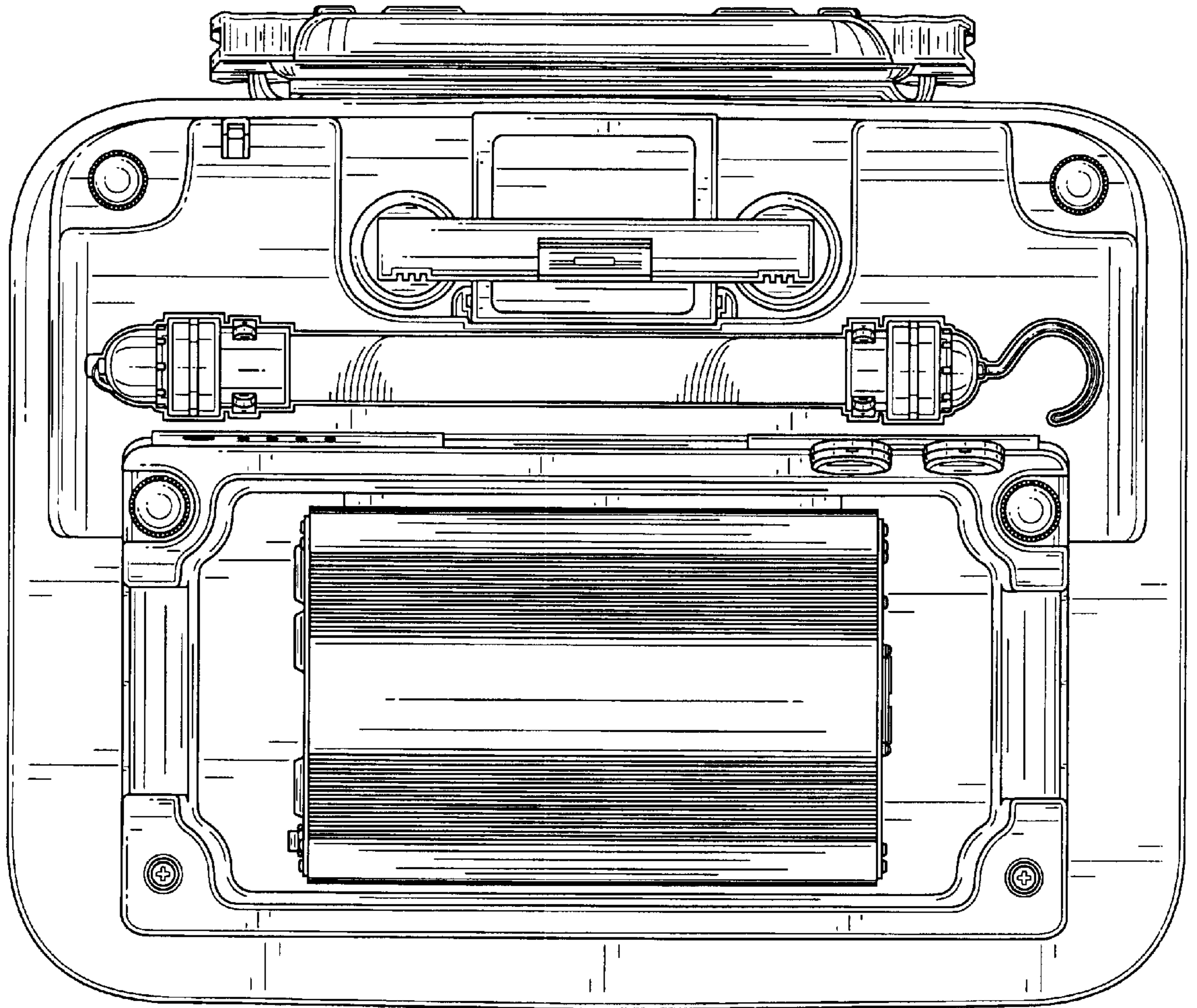


FIG. 6

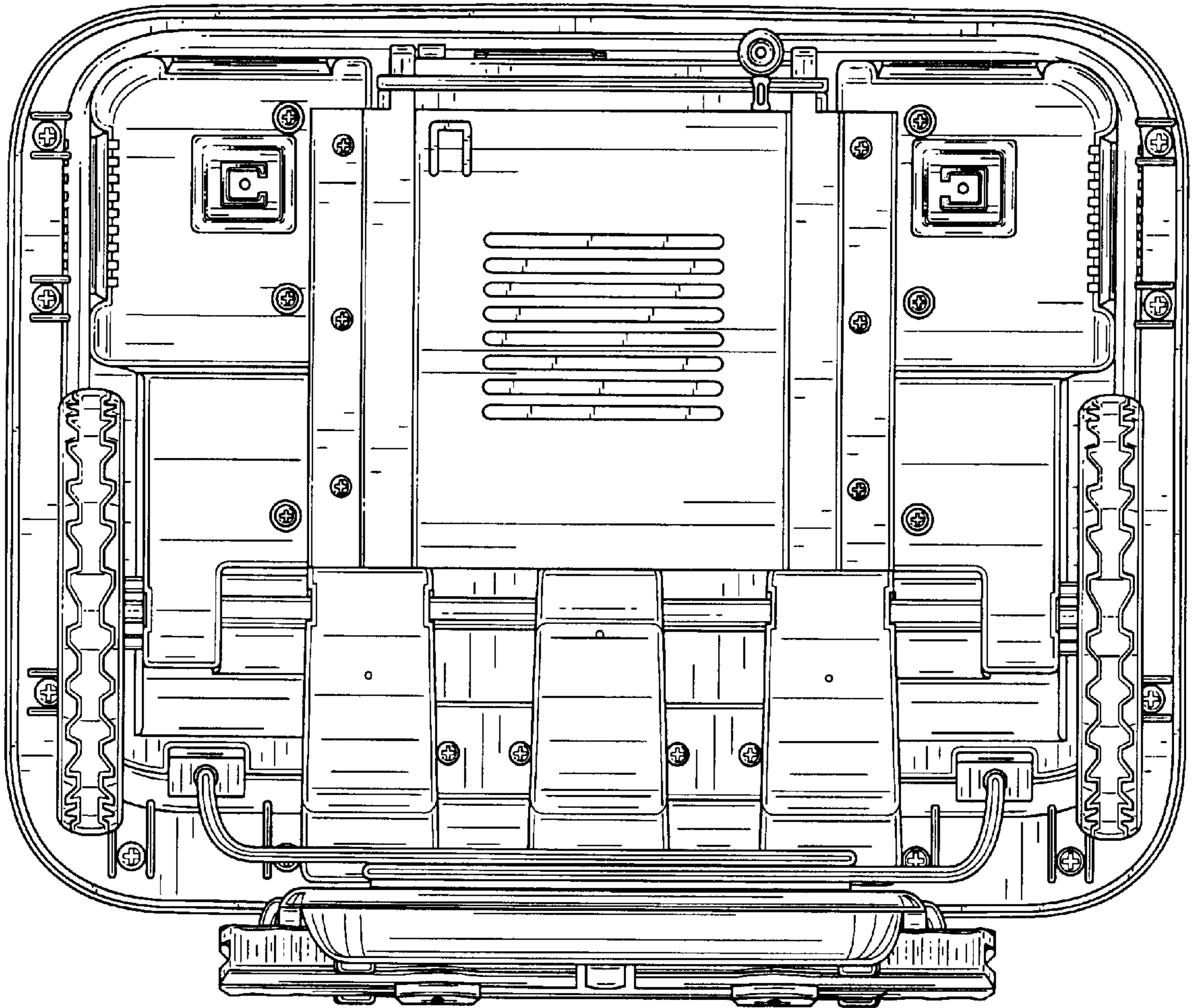


FIG. 7