



US00D475678S

(12) **United States Design Patent**
Evans

(10) **Patent No.:** **US D475,678 S**

(45) **Date of Patent:** **** Jun. 10, 2003**

(54) **COLLAPSIBLE TRUCK TAILGATE TABLE FOR CONSTRUCTION PLANS**

(76) Inventor: **William L. Evans**, 9669 Red Pony La., El Cahon, CA (US) 92021

(**) Term: **14 Years**

(21) Appl. No.: **29/153,419**

(22) Filed: **Jan. 9, 2002**

(51) **LOC (7) Cl.** **12-16**

(52) **U.S. Cl.** **D12/400**

(58) **Field of Search** D12/400, 406, D12/412, 414, 414.1, 221; 108/44, 99, 115; 224/519, 521, 510, 511; 296/24.1, 26.1, 26.08, 26.09

(56) **References Cited**

U.S. PATENT DOCUMENTS

4,236,461	A	*	12/1980	Barksdale	108/44
4,452,151	A	*	6/1984	Jarrard	108/44
4,455,948	A		6/1984	Torres		
D305,632	S	*	1/1990	Kraklio	D12/400
4,915,437	A		4/1990	Cherry		
4,993,088	A	*	2/1991	Chudik	108/44 X
5,083,830	A		1/1992	Mucher et al.		
5,090,335	A	*	2/1992	Russell	108/44
5,533,771	A		7/1996	Taylor et al.		
5,649,734	A	*	7/1997	Speis	108/44 X
5,730,066	A	*	3/1998	Auten et al.	108/44
6,045,172	A	*	4/2000	Thomas et al.	296/26.1
6,145,447	A	*	11/2000	Henderson	108/44

D439,559	S	*	3/2001	Caro	D12/400
D445,395	S	*	7/2001	Okerlund et al.	D12/400
6,314,891	B1	*	11/2001	Larson	108/44
6,336,413	B1	*	1/2002	Ball	108/44
6,467,417	B1	*	10/2002	Guyot et al.	108/44

* cited by examiner

Primary Examiner—Stacia Cadmus

(74) *Attorney, Agent, or Firm*—Donald R. Schoonover

(57) **CLAIM**

The ornamental design for a collapsible truck tailgate table for construction plans, as shown and described.

DESCRIPTION

FIG. 1 is a perspective view of a collapsible truck tailgate table for construction plans embodying the design of the present invention, showing the invention in a raised position. The broken line showing of environmental structure is for illustrative purposes only and forms no part of the claimed design.

FIG. 2 is a front elevational view of the invention in the raised position;

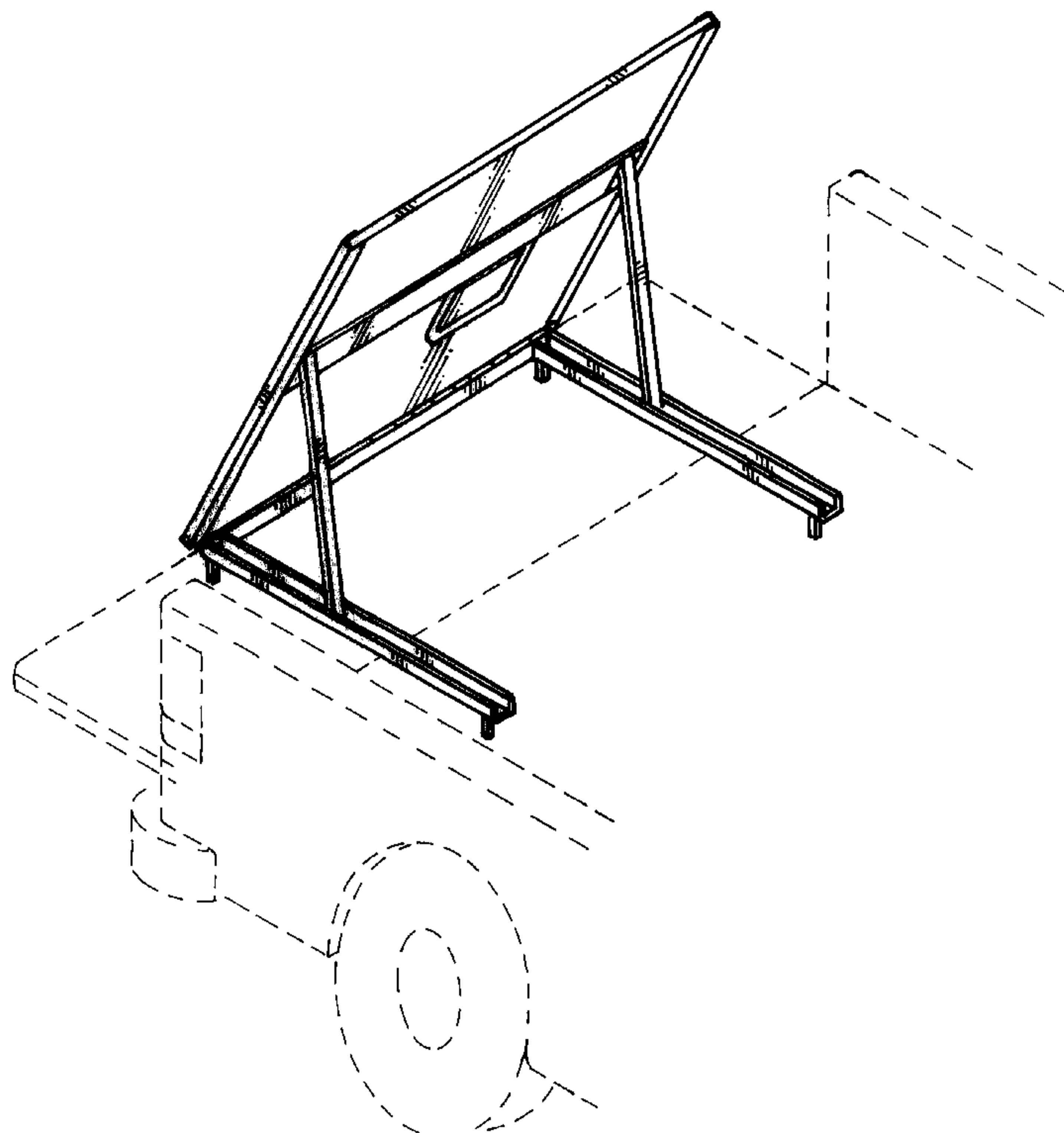
FIG. 3 is a rear elevational view of the invention in the raised position;

FIG. 4 is a side elevational view of the invention in the raised position;

FIG. 5 is a top plan view of the invention in the raised position; and,

FIG. 6 is a bottom plan view of the invention in the raised position.

1 Claim, 4 Drawing Sheets



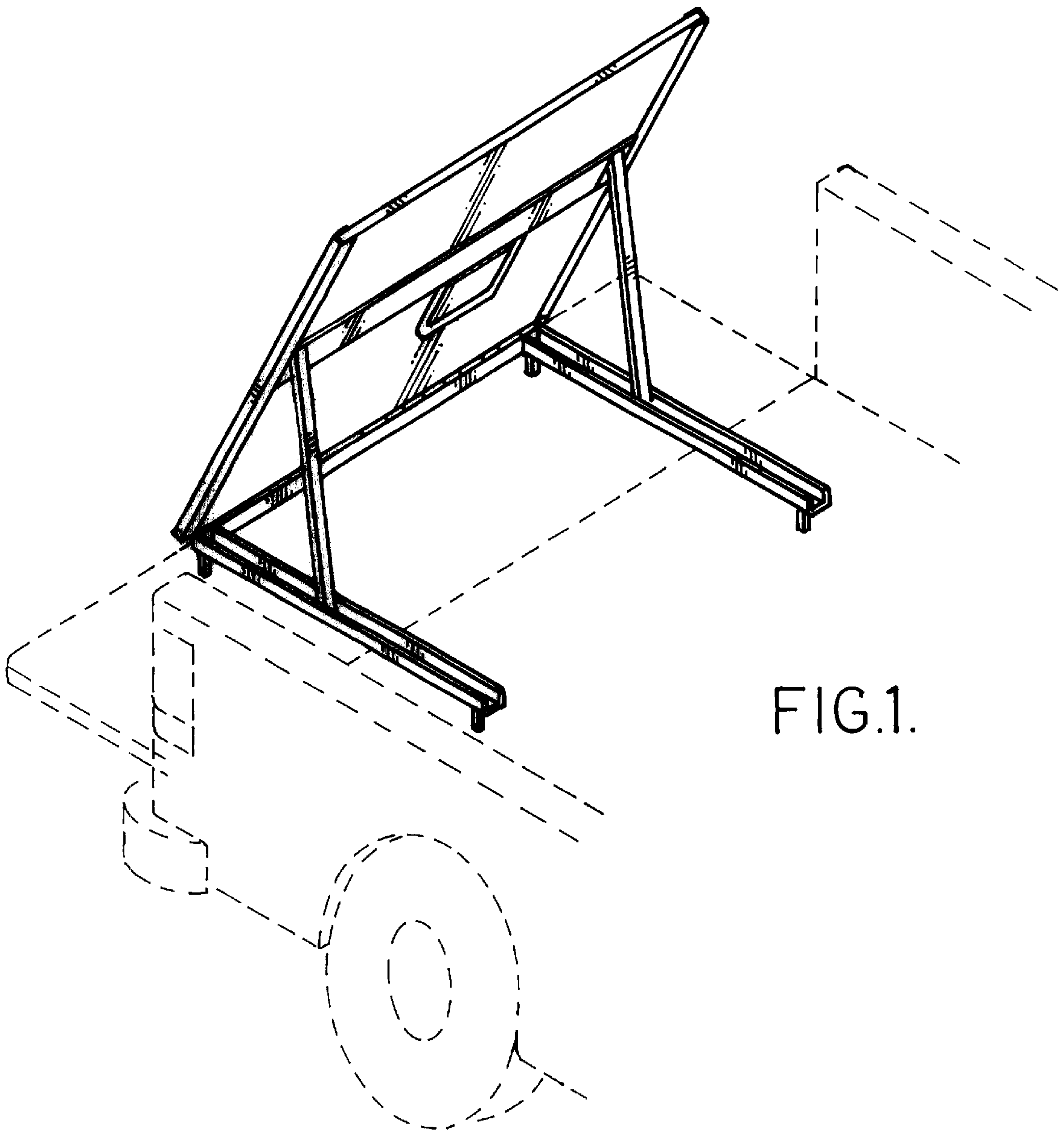


FIG. 1.

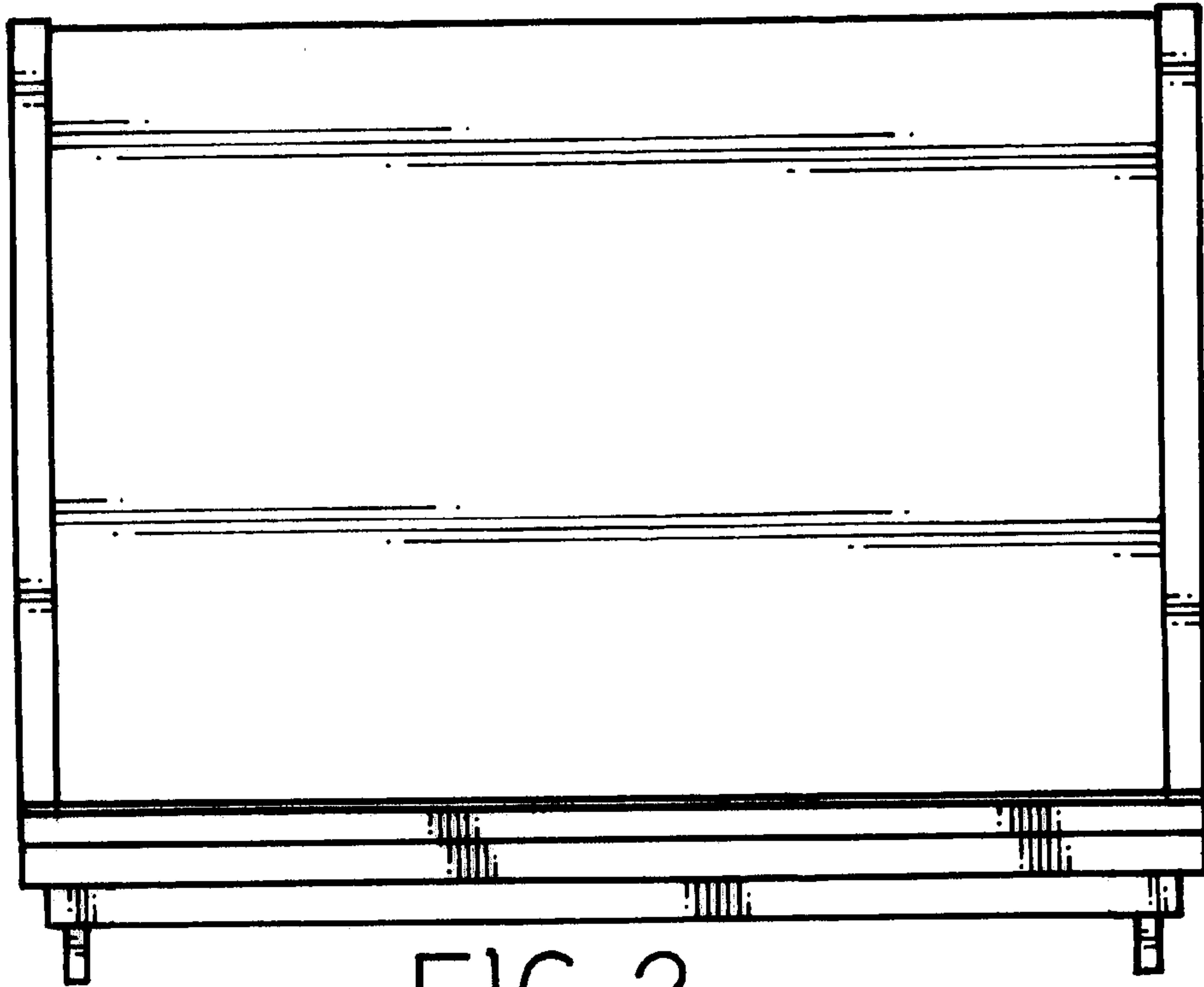


FIG. 2

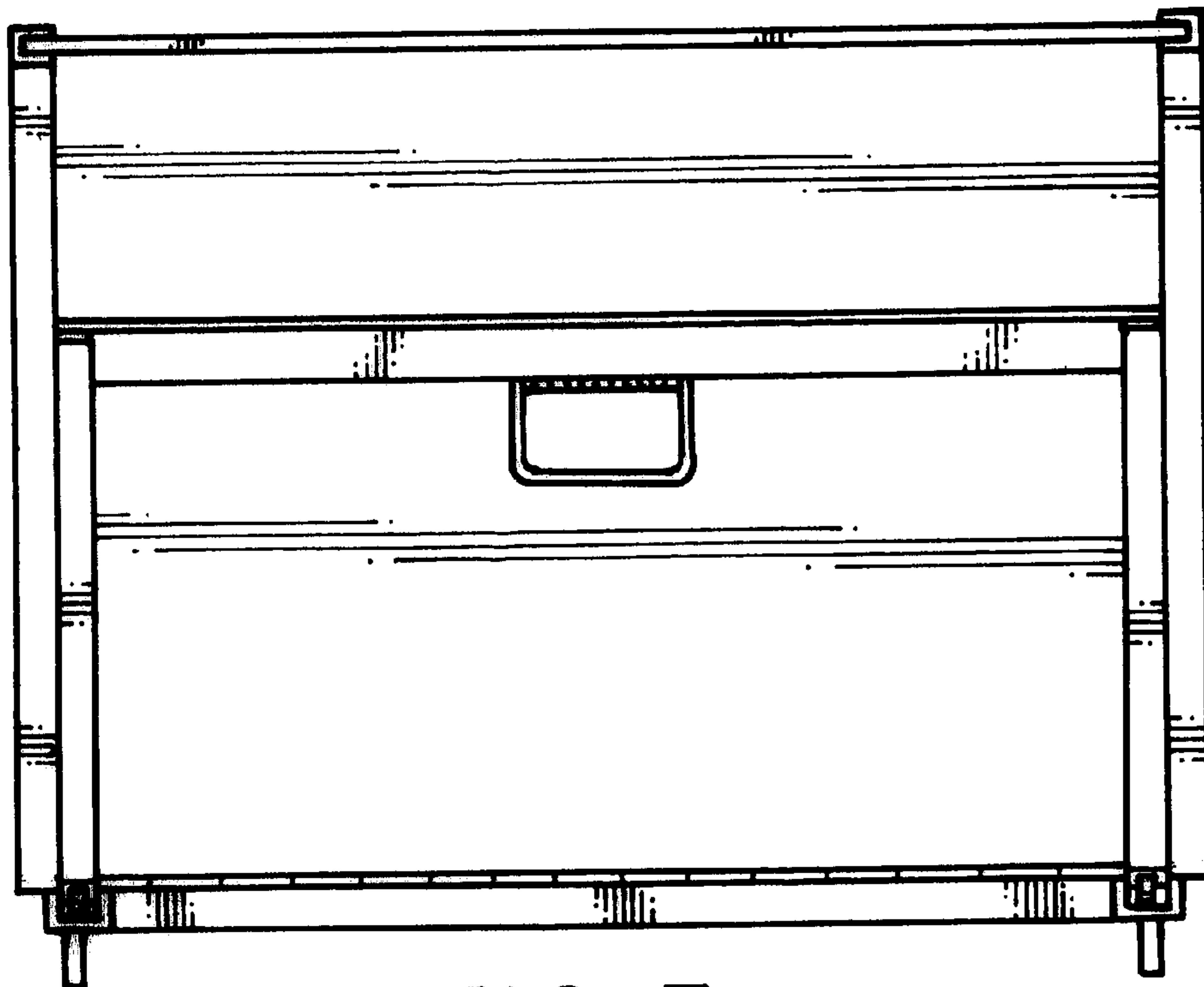


FIG. 3.

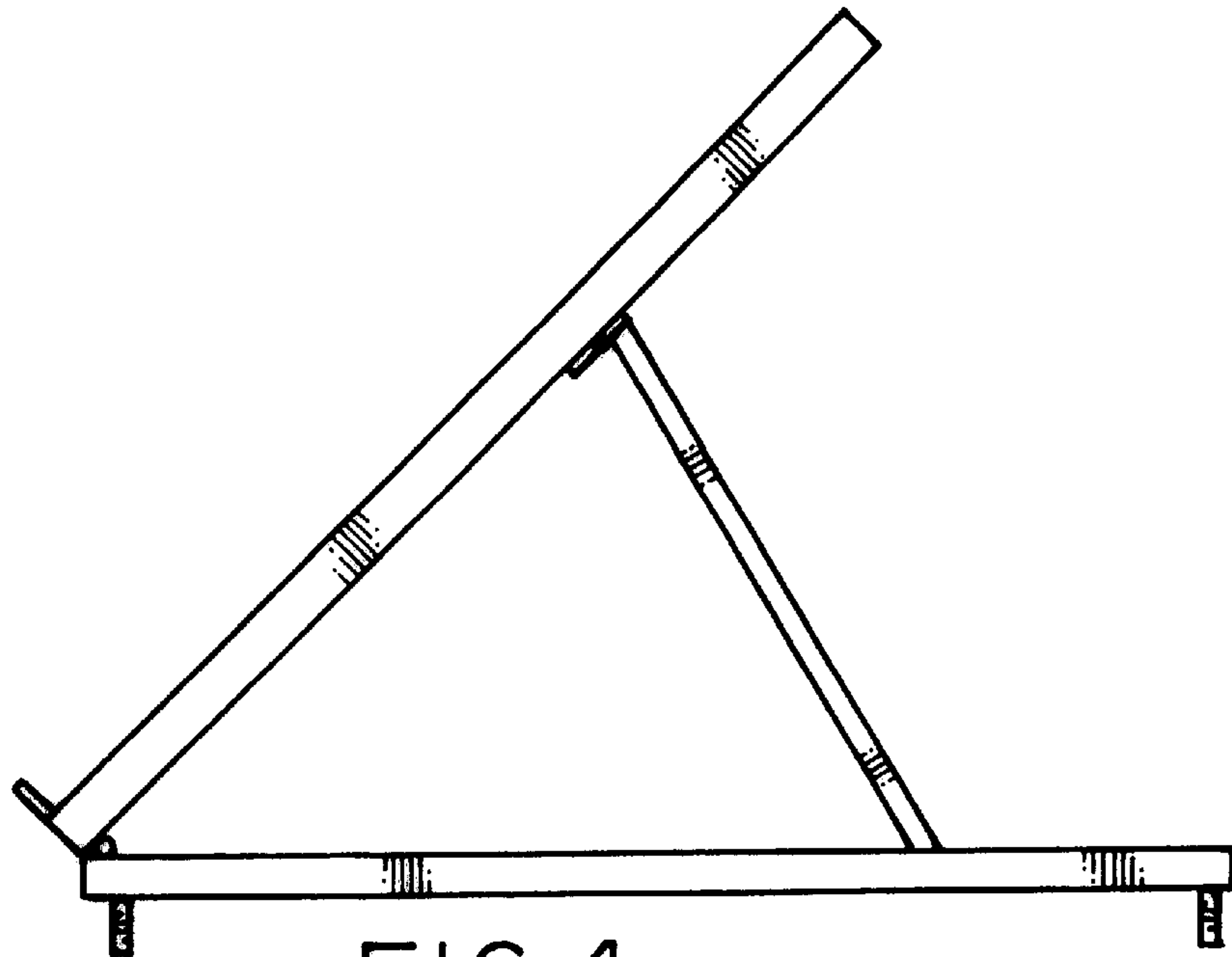


FIG. 4.

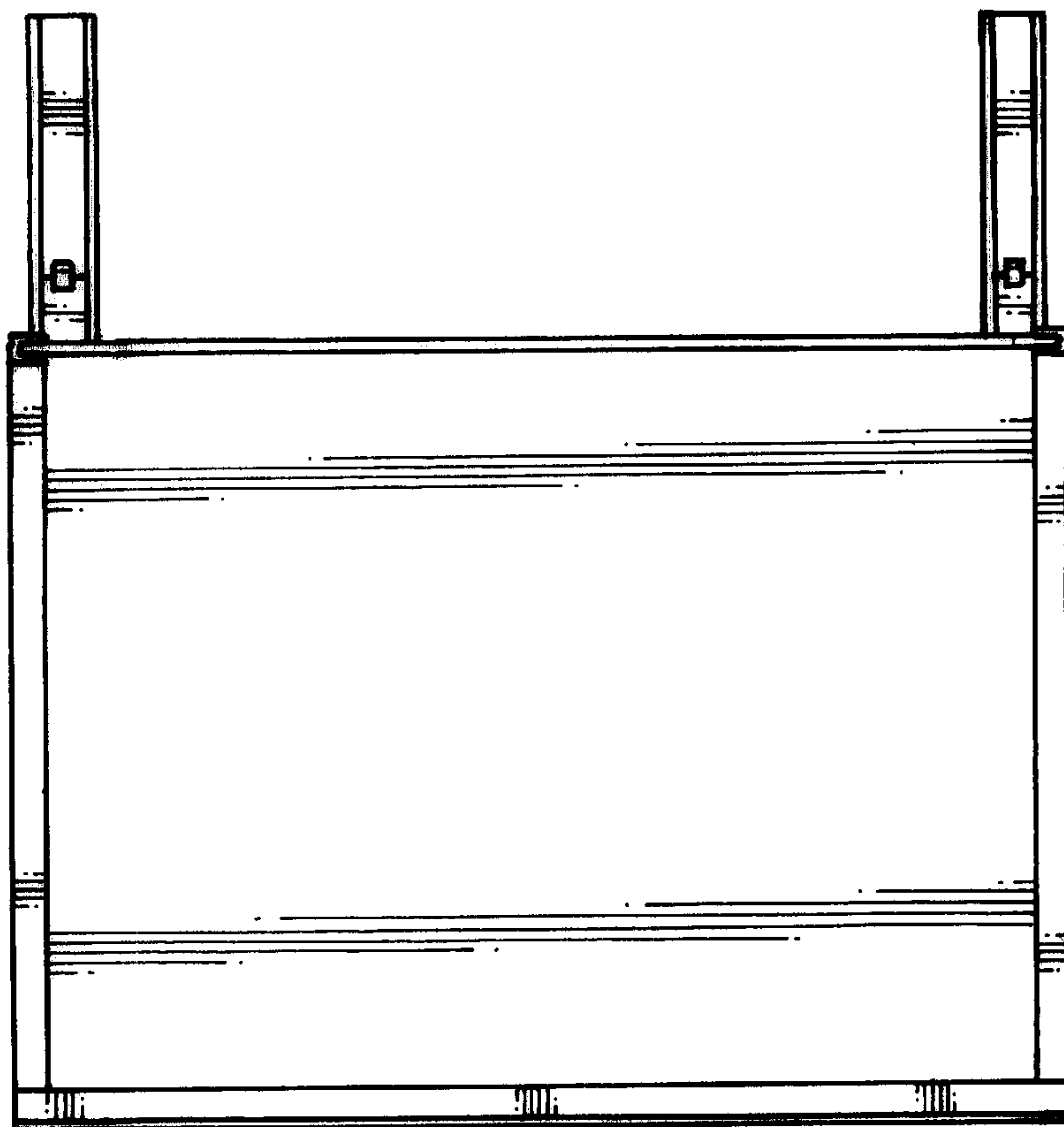


FIG. 5.

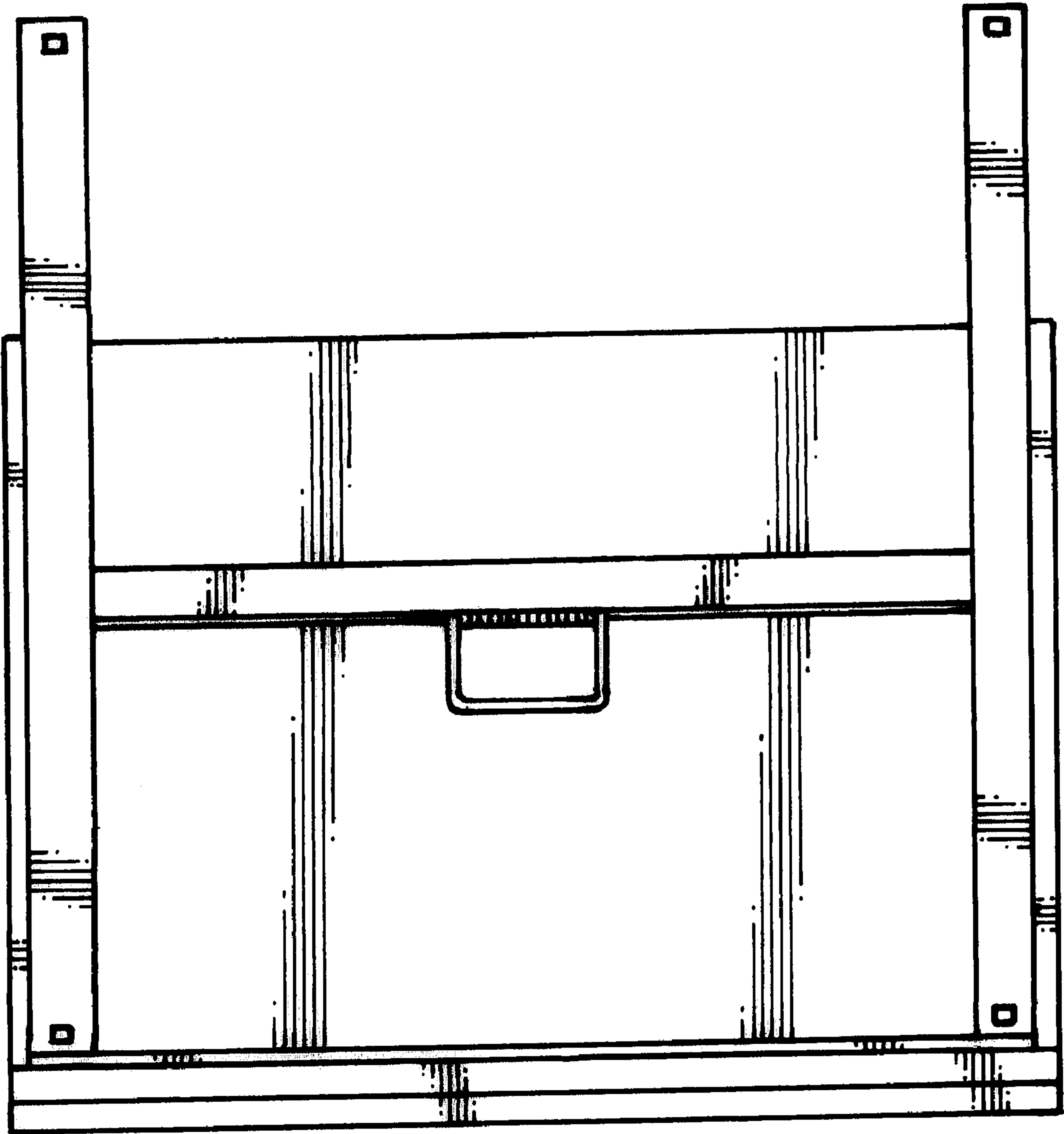


FIG. 6.