



US00D475677S

(12) **United States Design Patent**  
**Zucker**

(10) **Patent No.:** **US D475,677 S**

(45) **Date of Patent:** **\*\* Jun. 10, 2003**

(54) **VEHICLE FLAG HOLDER**

(75) Inventor: **Sheldon Zucker**, Northbrook, IL (US)

(73) Assignee: **SAR Enterprises, L.L.C.**, Northbrook, IL (US)

(\*\*) Term: **14 Years**

(21) Appl. No.: **29/157,685**

(22) Filed: **Mar. 22, 2002**

(51) **LOC (7) Cl.** ..... **12-06**

(52) **U.S. Cl.** ..... **D12/223**

(58) **Field of Search** ..... D12/223, 114;  
116/28 R, 1, 173; 33/264; 248/512, 538,  
539; 40/591

(56) **References Cited**

**U.S. PATENT DOCUMENTS**

4,052,697 A	10/1977	Daifotes	340/87
4,590,883 A	5/1986	Steed et al.	116/173
D296,542 S	* 7/1988	Binford	D12/223
D313,214 S	* 12/1990	Phillips et al.	D12/223
4,977,849 A	12/1990	Brinton	116/28 R
5,042,418 A	8/1991	Hoover et al.	116/173
5,233,938 A	* 8/1993	Lalo	116/173
5,463,974 A	* 11/1995	Seeder	116/173
5,483,916 A	1/1996	Kolvites et al.	116/173

5,961,087 A	10/1999	Lee	248/362
5,979,355 A	11/1999	LeBlanc	116/30
6,010,107 A	1/2000	Goldfarb	248/512
6,295,945 B1	10/2001	Amanze	116/173
6,378,453 B1 *	4/2002	Conway	116/28 R

\* cited by examiner

*Primary Examiner*—Melody N. Brown

(74) *Attorney, Agent, or Firm*—Law Office of Marc D. Machtinger, Ltd.

(57) **CLAIM**

The ornamental design for a “vehicle flag holder”, as shown and described.

**DESCRIPTION**

FIG. 1 is a perspective view of a vehicle flag holder showing my new design;  
FIG. 2 is a front view thereof;  
FIG. 3 is a back view thereof;  
FIG. 4 is a top view thereof;  
FIG. 5 is a bottom view thereof;  
FIG. 6 is a left side view thereof; and,  
FIG. 7 is a right side view thereof.  
Features shown in broken lines in the drawings are not part of the claim.

**1 Claim, 2 Drawing Sheets**

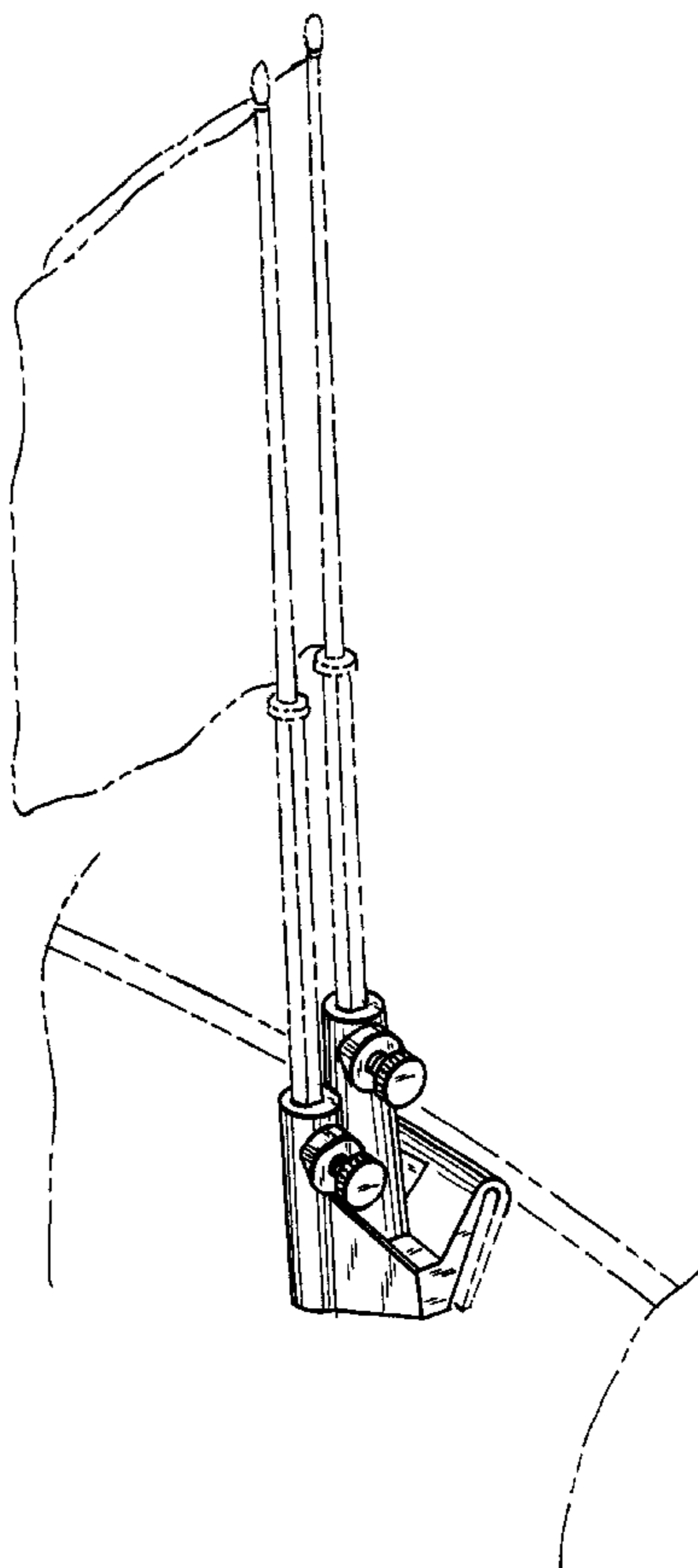


Fig. 1

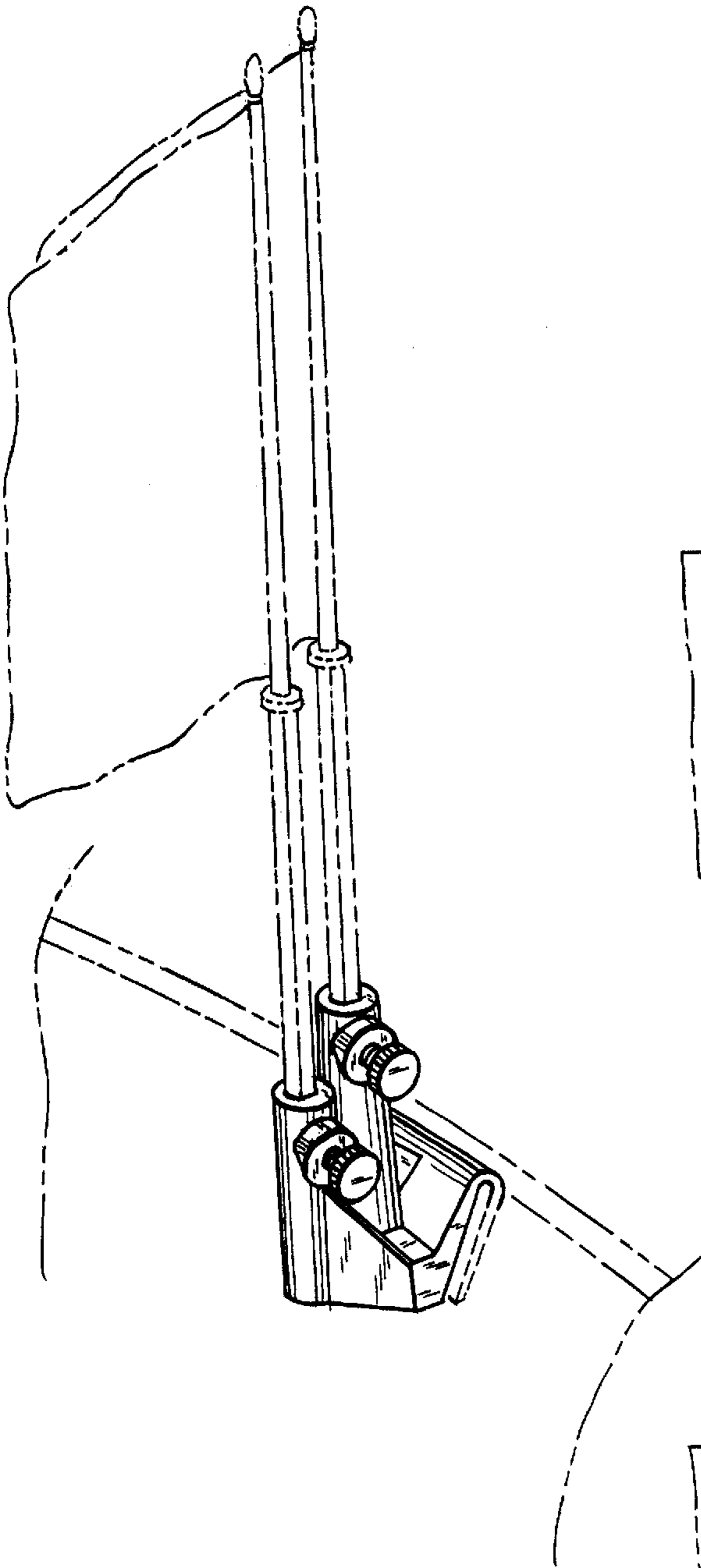


Fig. 2

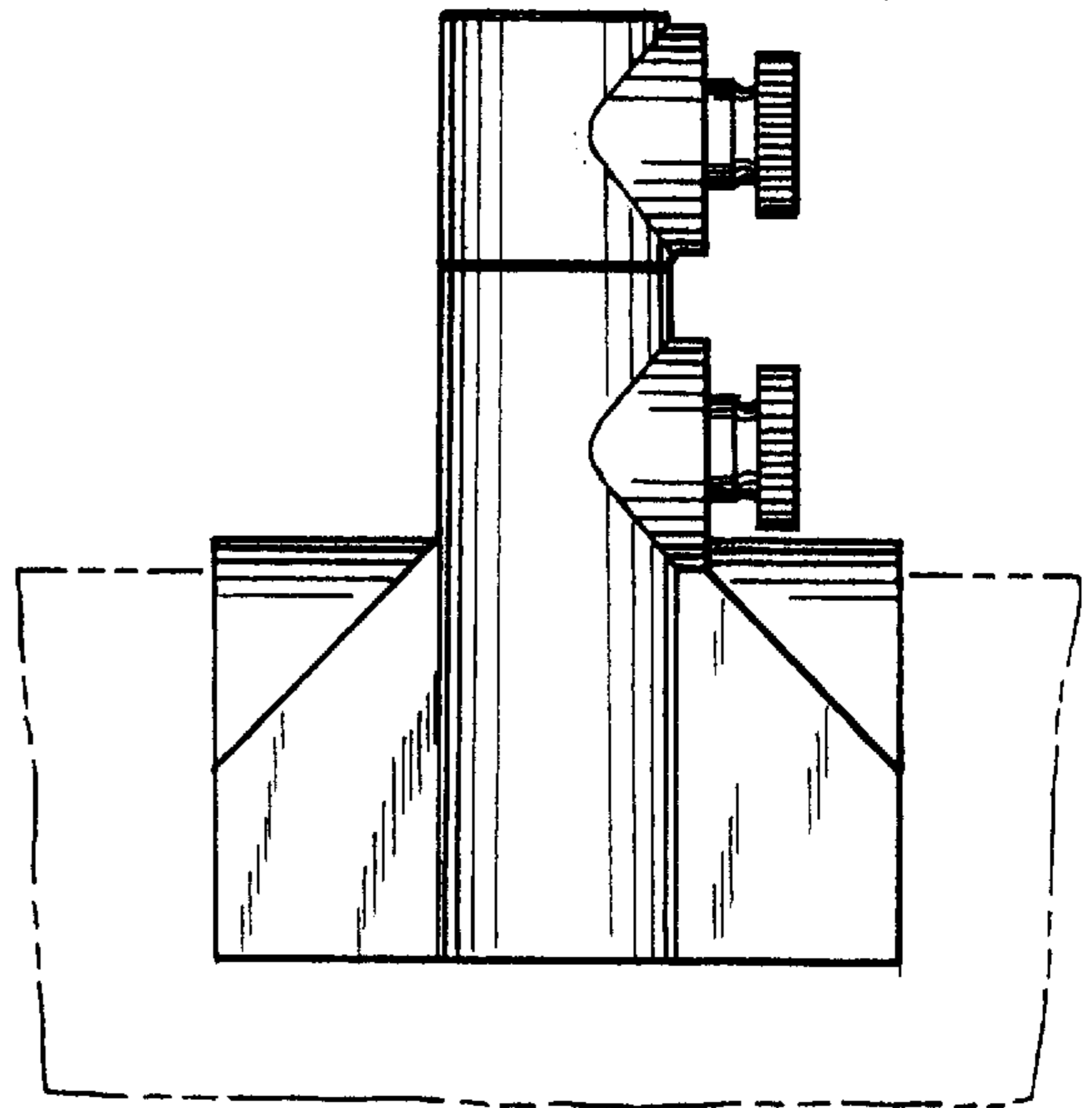


Fig. 3

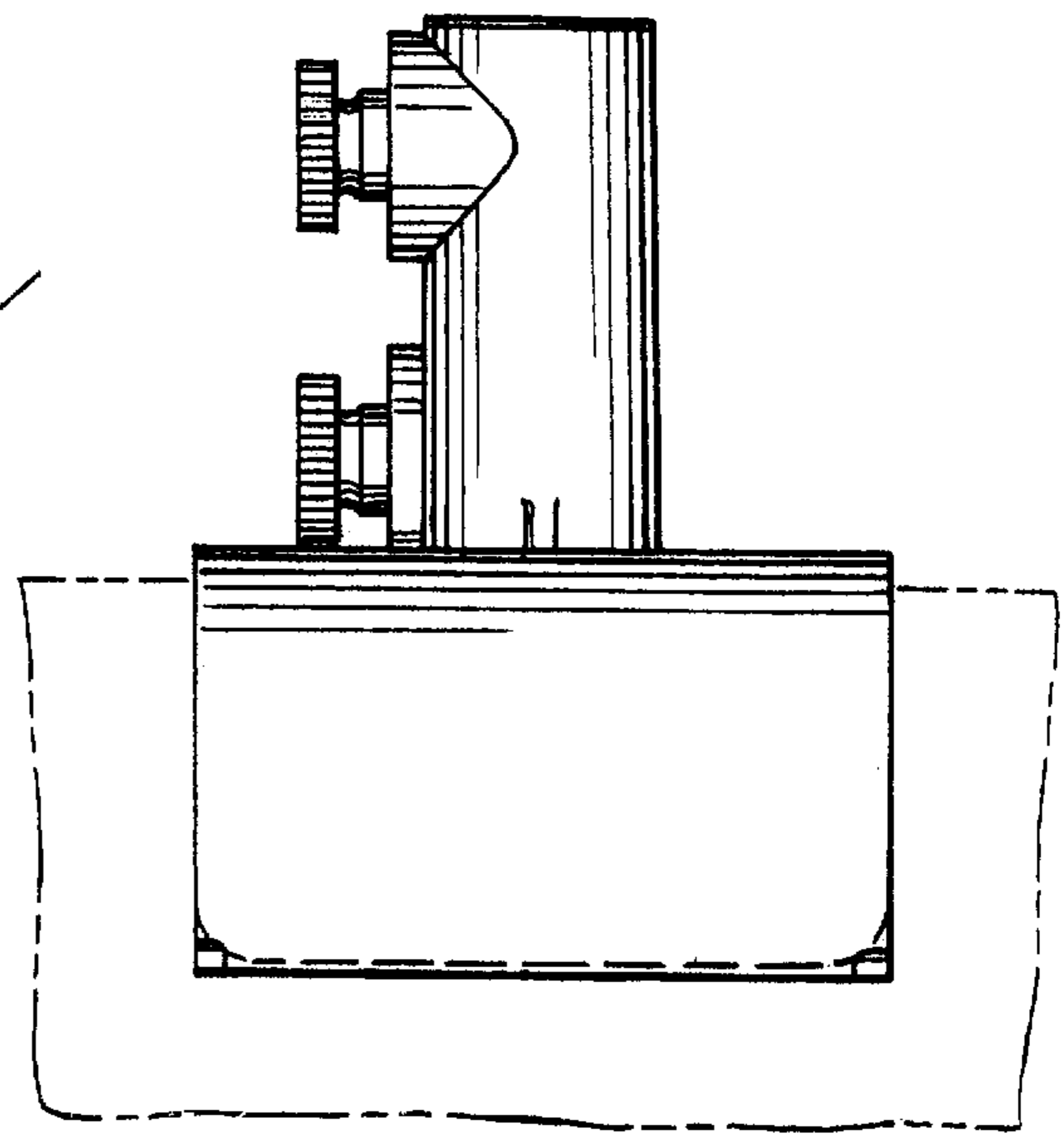


Fig. 4

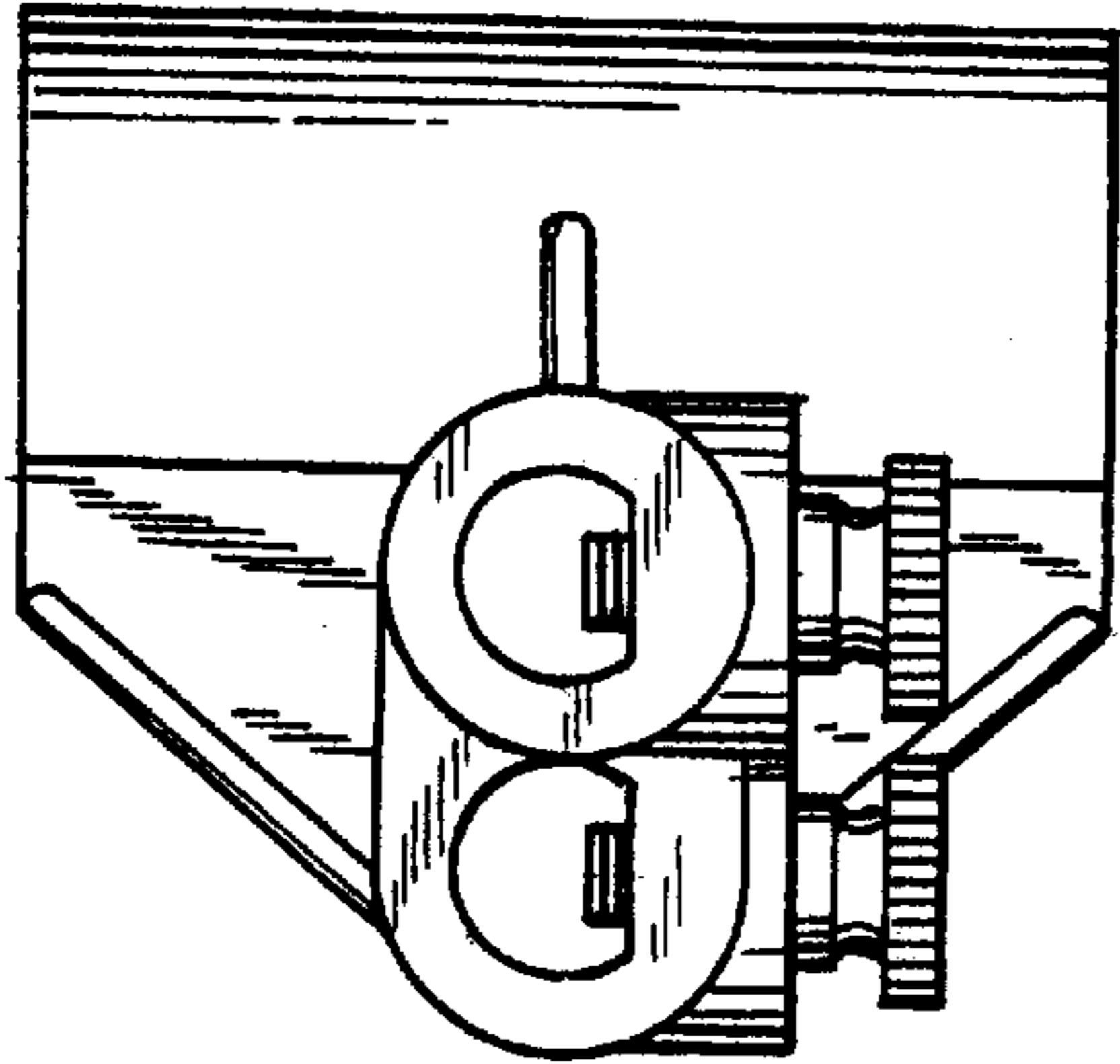


Fig. 5

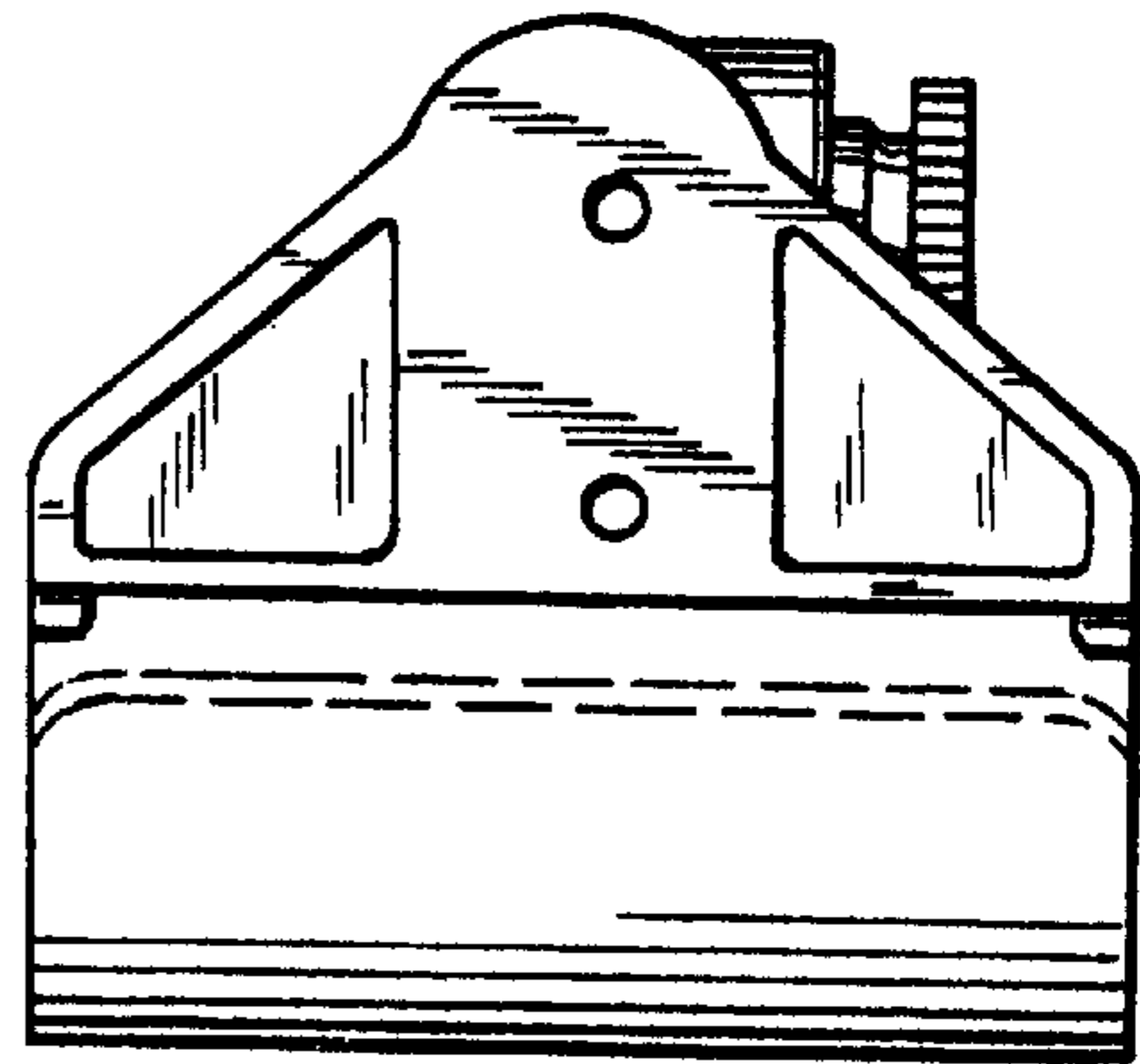


Fig. 6

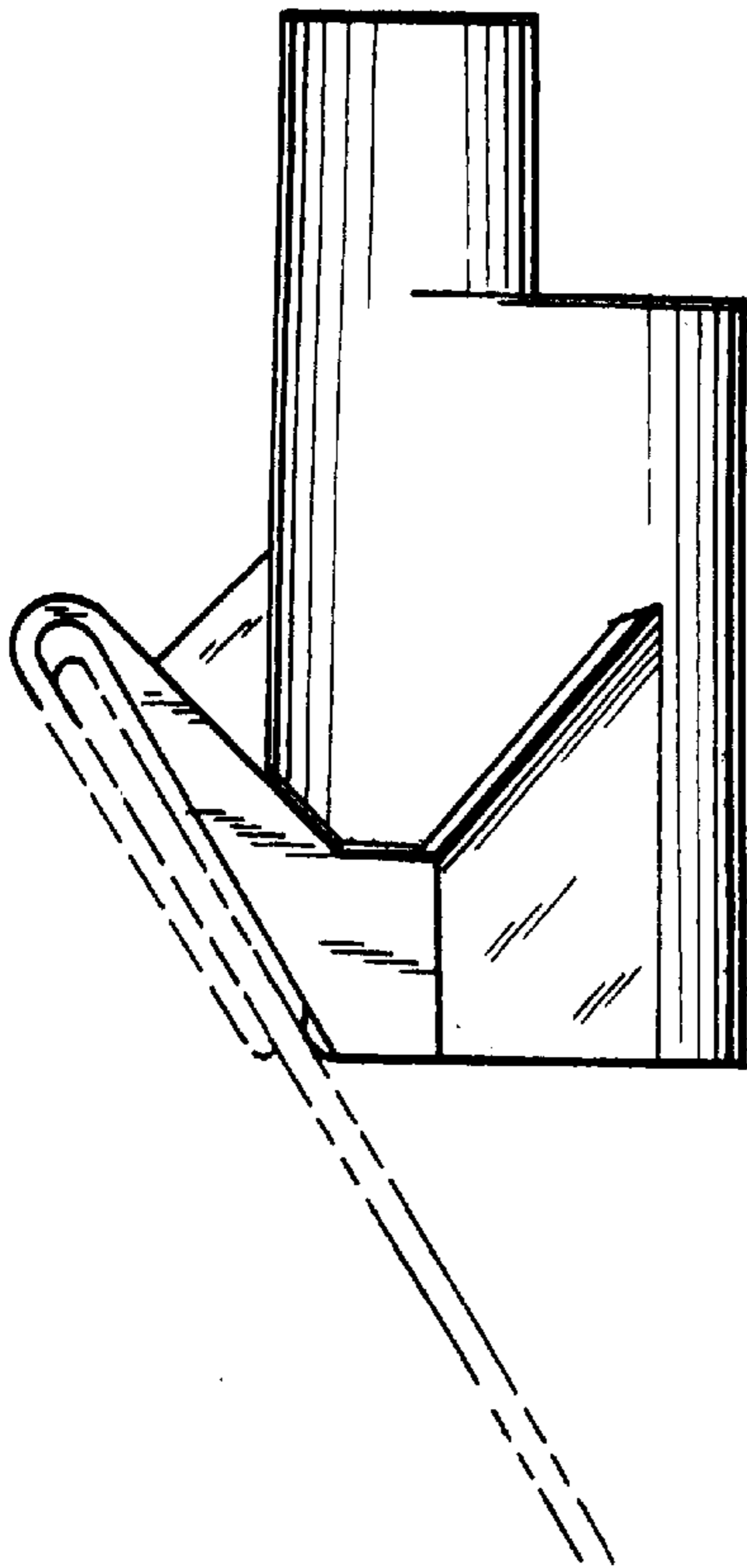


Fig. 7

