



US00D475669S

(12) **United States Design Patent**
Boyer

(10) **Patent No.:** **US D475,669 S**

(45) **Date of Patent:** **** Jun. 10, 2003**

(54) **FRONT FACE OF A VEHICLE WHEEL**

(75) **Inventor:** **Boyke Boyer, Ismaning (DE)**

(73) **Assignee:** **Bayerische Motoren Werke
Aktiengesellschaft, Munich (DE)**

(**) **Term:** **14 Years**

(21) **Appl. No.:** **29/141,901**

(22) **Filed:** **May 16, 2001**

(30) **Foreign Application Priority Data**

Nov. 16, 2000 (DE) 4 00 10 998

(51) **LOC (7) Cl.** **12-16**

(52) **U.S. Cl.** **D12/209**

(58) **Field of Search** D12/204-211;
301/37.1, 64.1, 65

(56) **References Cited**

U.S. PATENT DOCUMENTS

- D252,565 S * 8/1979 Blanchard D12/211
- D252,925 S * 9/1979 Harty, Jr. D12/211
- D363,457 S * 10/1995 Coddington D12/209
- D374,648 S * 10/1996 Pfeiffer D12/209
- D384,629 S * 10/1997 Nagashima D12/209
- D388,760 S * 1/1998 Sacco et al. D12/209
- D401,899 S * 12/1998 Pfeiffer D12/209
- D408,776 S * 4/1999 Sacco et al. D12/209
- D416,531 S * 11/1999 Gabath D12/209

- D440,534 S * 4/2001 Ivanova D12/211
- D444,119 S * 6/2001 Brintouch D12/211
- D445,078 S * 7/2001 Chung D12/209
- D454,827 S * 3/2002 Pfeiffer et al. D12/211
- D455,992 S * 4/2002 Chung D12/209
- D460,033 S * 7/2002 Elbertse D12/209

FOREIGN PATENT DOCUMENTS

XH DM/046855 5/1999

OTHER PUBLICATIONS

“Autozeitung”, Nr. 2, Jan. 5, 2000, p. 72.

* cited by examiner

Primary Examiner—Stacia Cadmus

(74) *Attorney, Agent, or Firm*—Crowell & Moring LLP

(57) **CLAIM**

The ornamental design for a front face of a vehicle wheel, as shown and described.

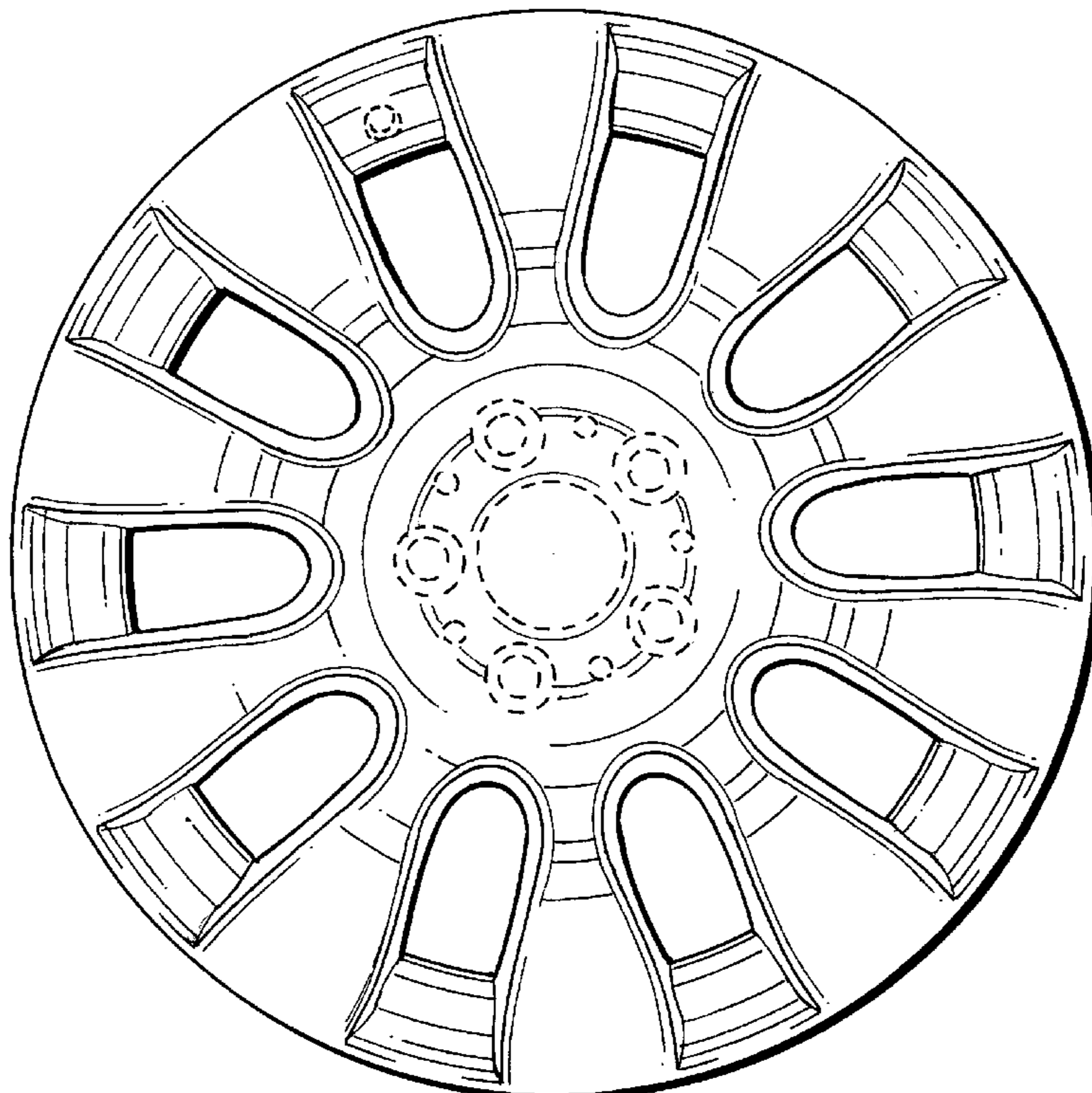
DESCRIPTION

FIG. 1 is a front view of a front face of a vehicle wheel according to my novel design; and,

FIG. 2 is a perspective view of the front face of a vehicle wheel according to my novel design.

The dash lines included depict environment and are not part of the claimed design.

1 Claim, 1 Drawing Sheet



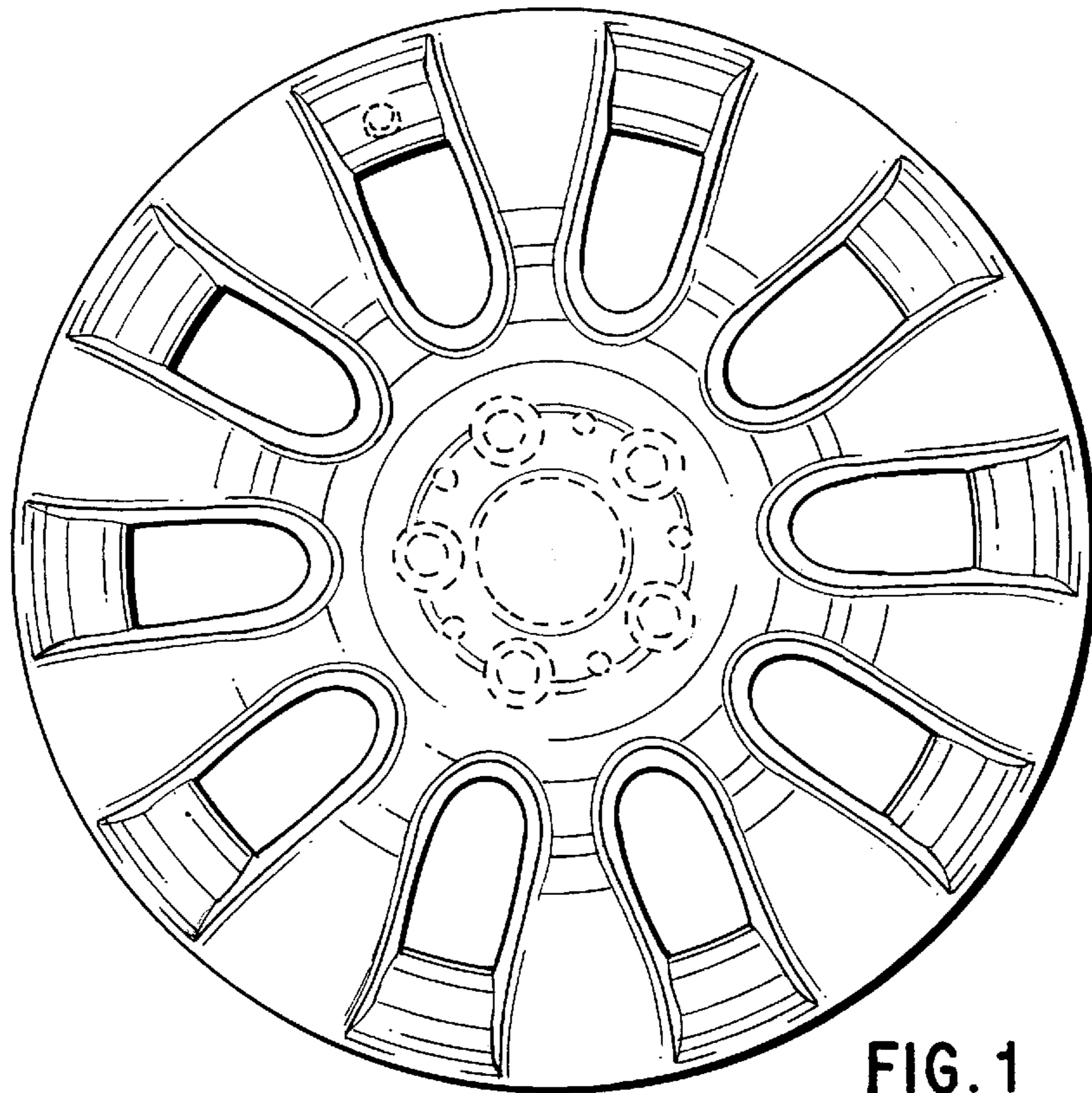


FIG. 1

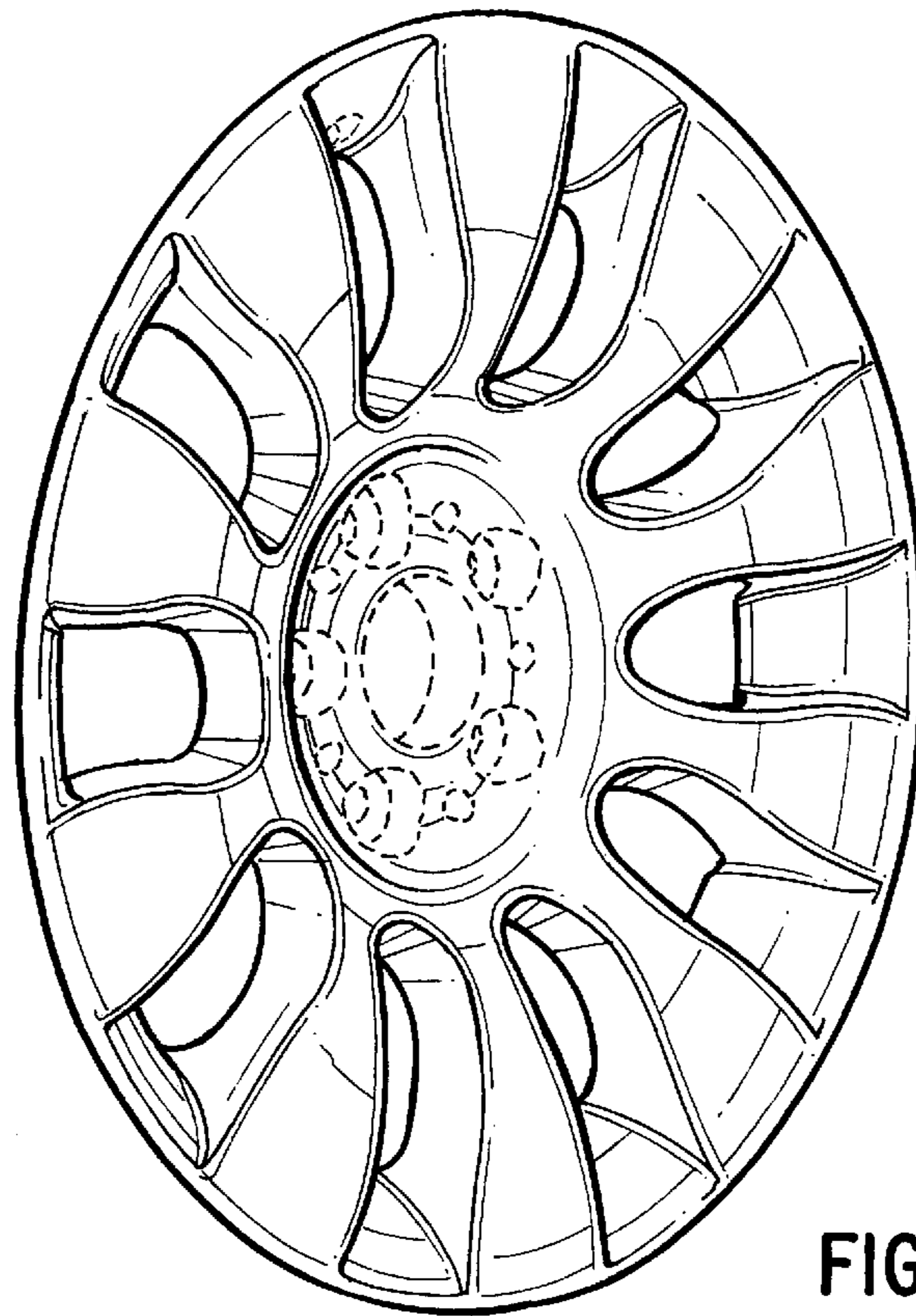


FIG. 2