



US00D475666S

(12) **United States Design Patent**
Reus

(10) **Patent No.:** **US D475,666 S**

(45) **Date of Patent:** **** Jun. 10, 2003**

(54) **COMBINED REAR VIEW MIRROR AND SPEAKERS**

5,557,467 A * 9/1996 McColgan et al. 359/605
D402,950 S * 12/1998 Fitzpatrick D12/187
6,124,886 A * 9/2000 DeLine et al. 359/868

(76) **Inventor:** **Richard J. Reus**, 10201 Center St.,
Villa Park, CA (US) 92867

* cited by examiner

(**) **Term:** **14 Years**

Primary Examiner—Alan P. Douglas

Assistant Examiner—Clare E. Heflin

(21) **Appl. No.:** **29/134,659**

(74) *Attorney, Agent, or Firm*—Kenneth W. Float

(22) **Filed:** **Dec. 27, 2000**

(57) **CLAIM**

(51) **LOC (7) Cl.** **12-16**

The ornamental design for a combined rear view mirror and speakers, as shown and described.

(52) **U.S. Cl.** **D12/188**

DESCRIPTION

(58) **Field of Search** D12/187, 188,
D12/189; D6/300, 309; D28/64.6; 248/475.1,
479, 480, 481, 483, 487, 494; 359/838,
841, 843, 844, 850, 868, 871, 872, 874,
876, 877, 881, 604

FIG. 1 is a front elevational view of a combined rear view mirror and speakers showing my new design;
FIG. 2 is a left side elevational view of the new design,
FIG. 3 is a bottom plan view of the new design,
FIG. 4 is a top plan view of the new design,
FIG. 5 is a rear elevational view of the new design; and,
FIG. 6 is a right side elevational view of the new design.

(56) **References Cited**

U.S. PATENT DOCUMENTS

D304,920 S * 12/1989 Schifrin D12/188
D346,356 S * 4/1994 Leu D12/187

1 Claim, 2 Drawing Sheets

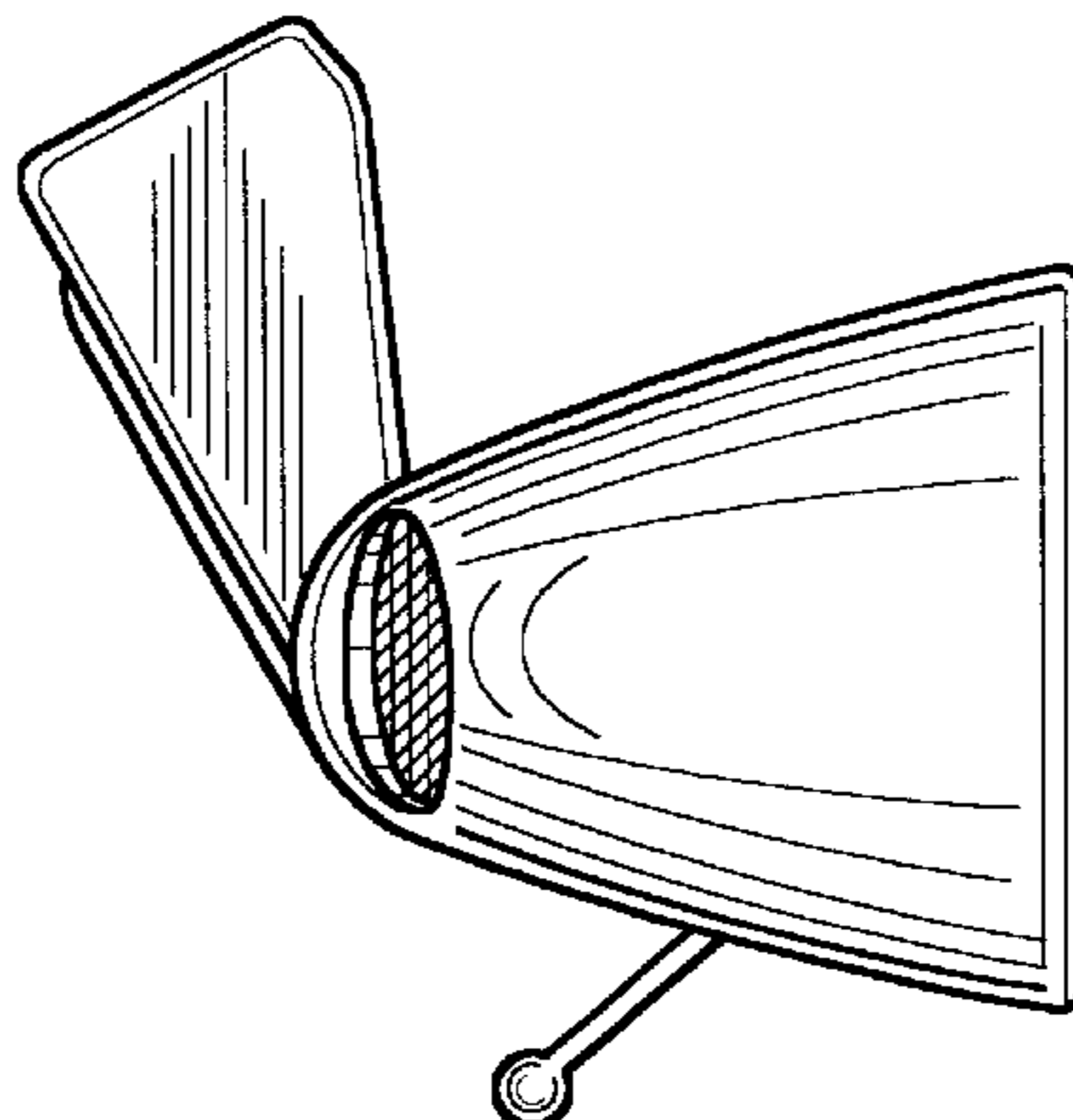
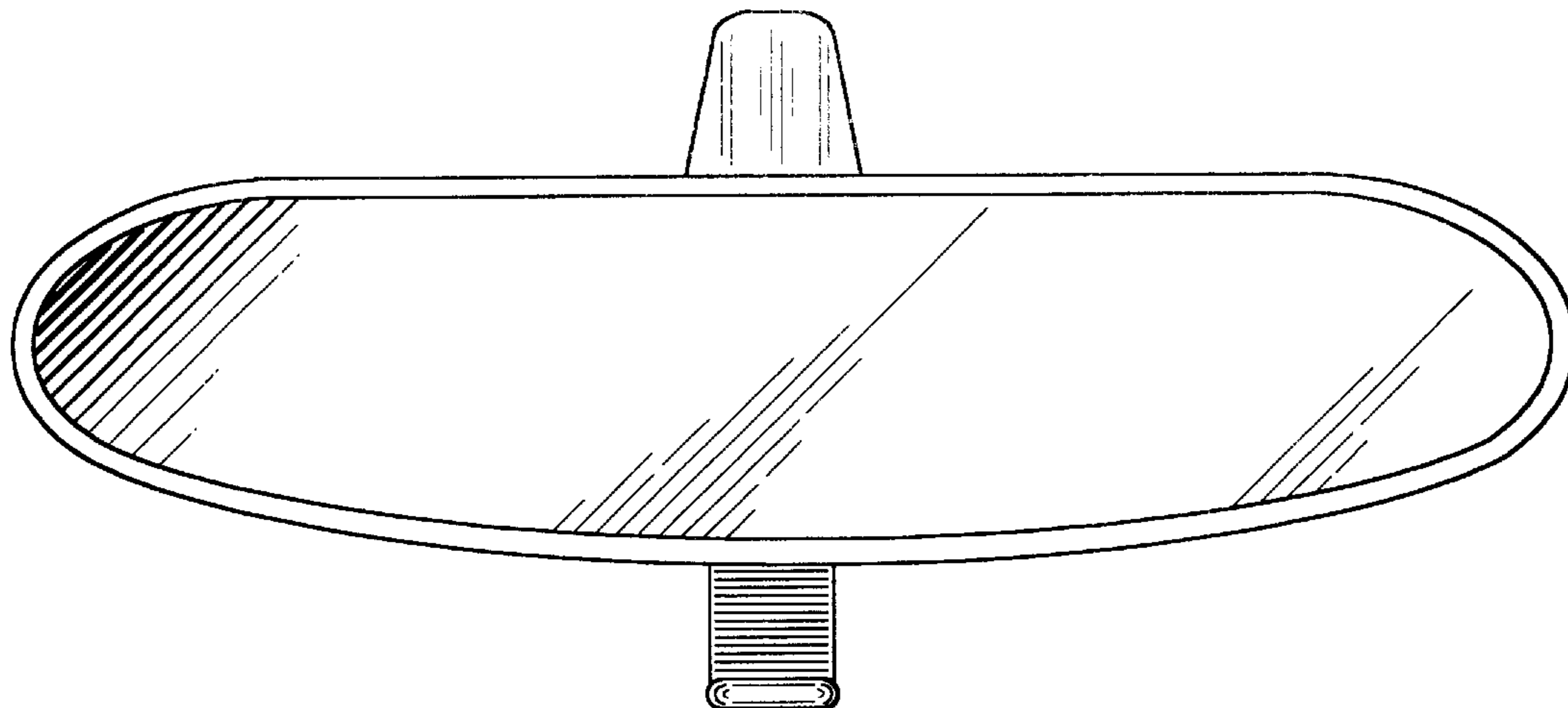


Fig. 1

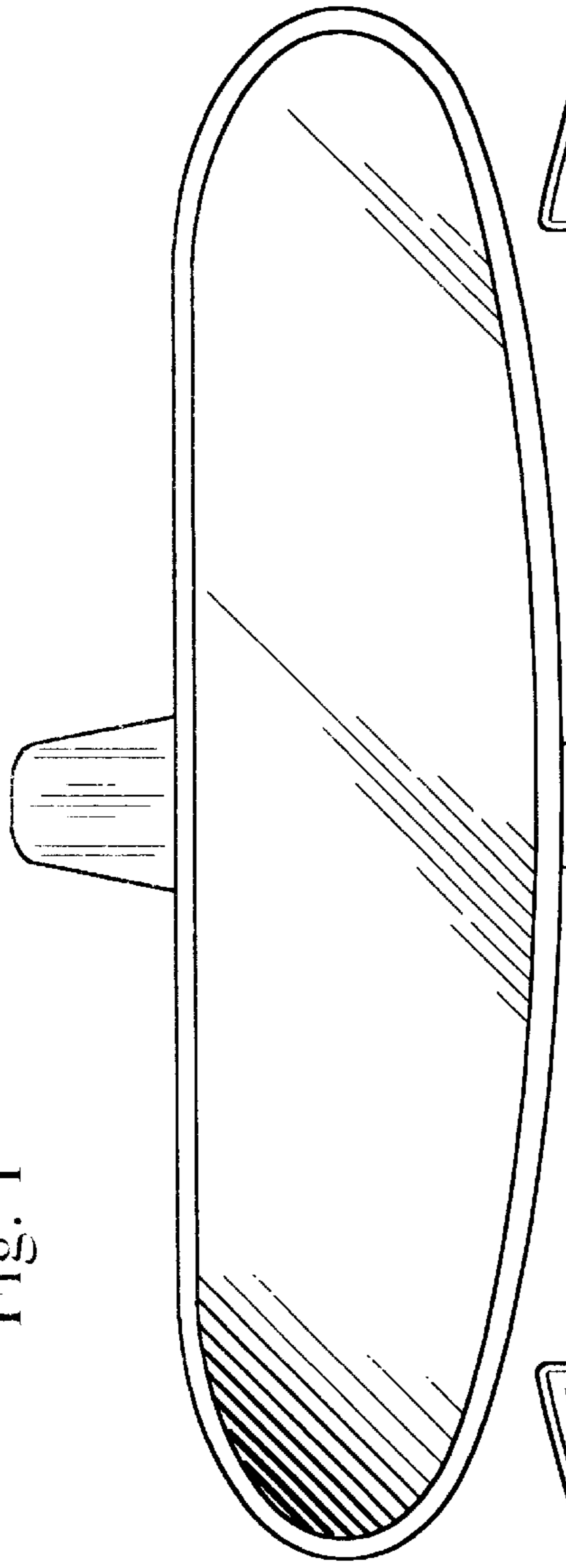


Fig. 2

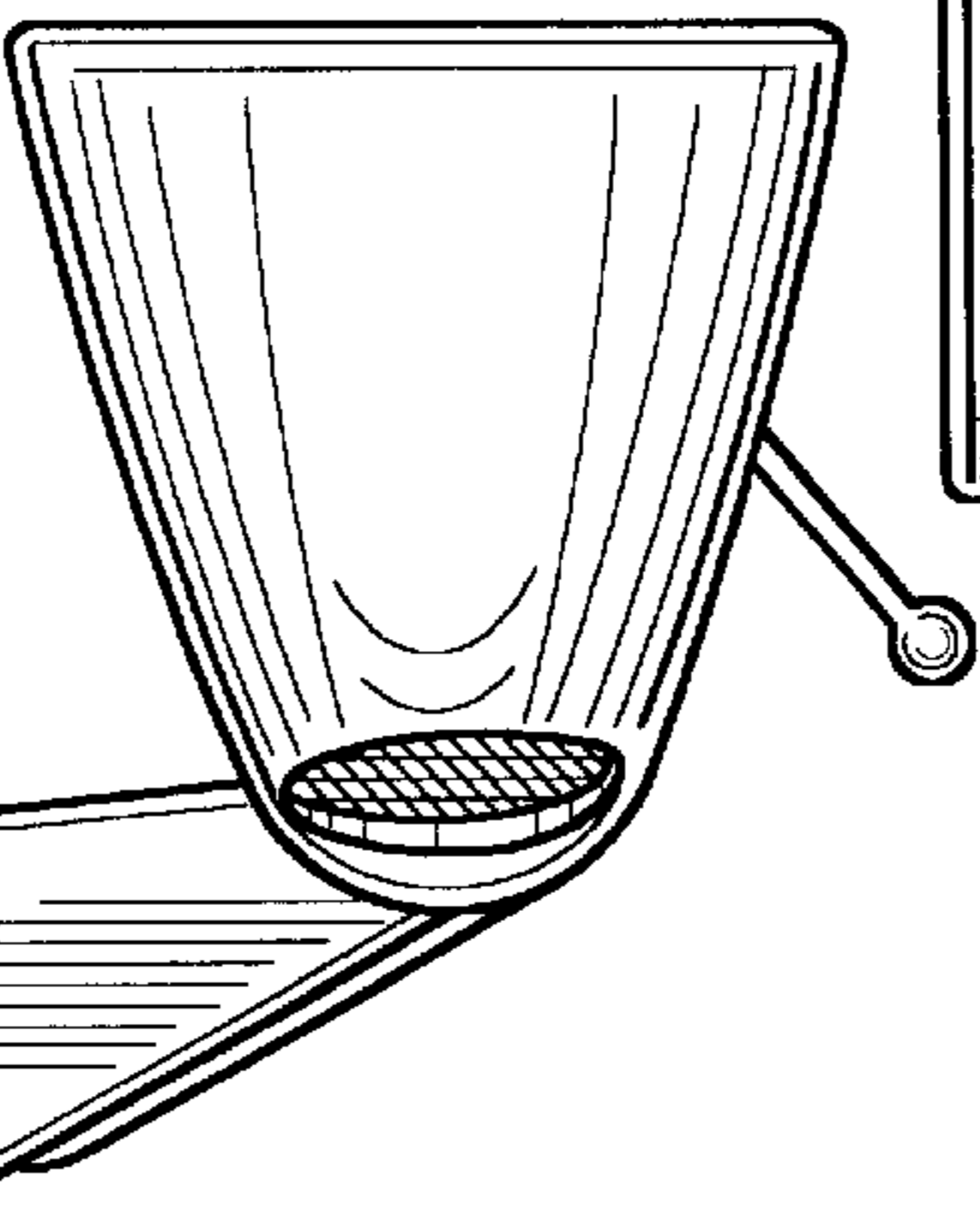


Fig. 6

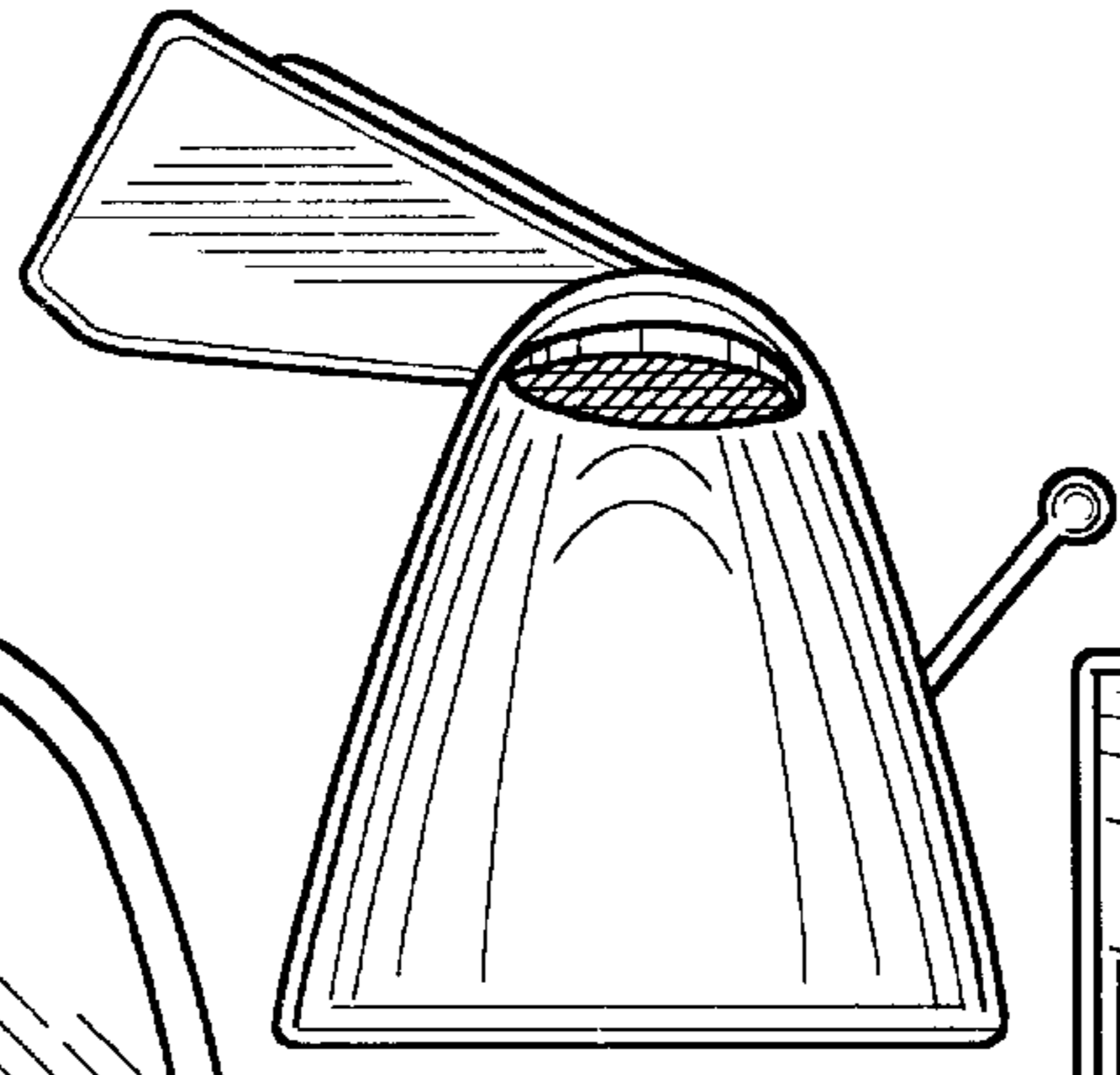
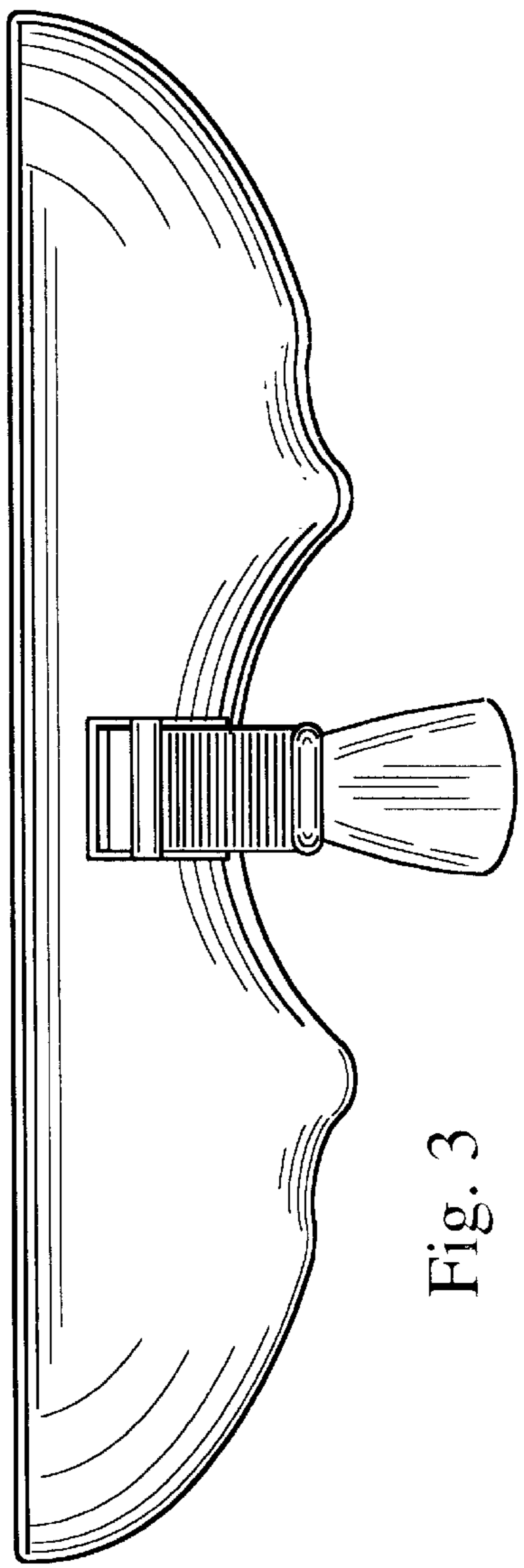


Fig. 3



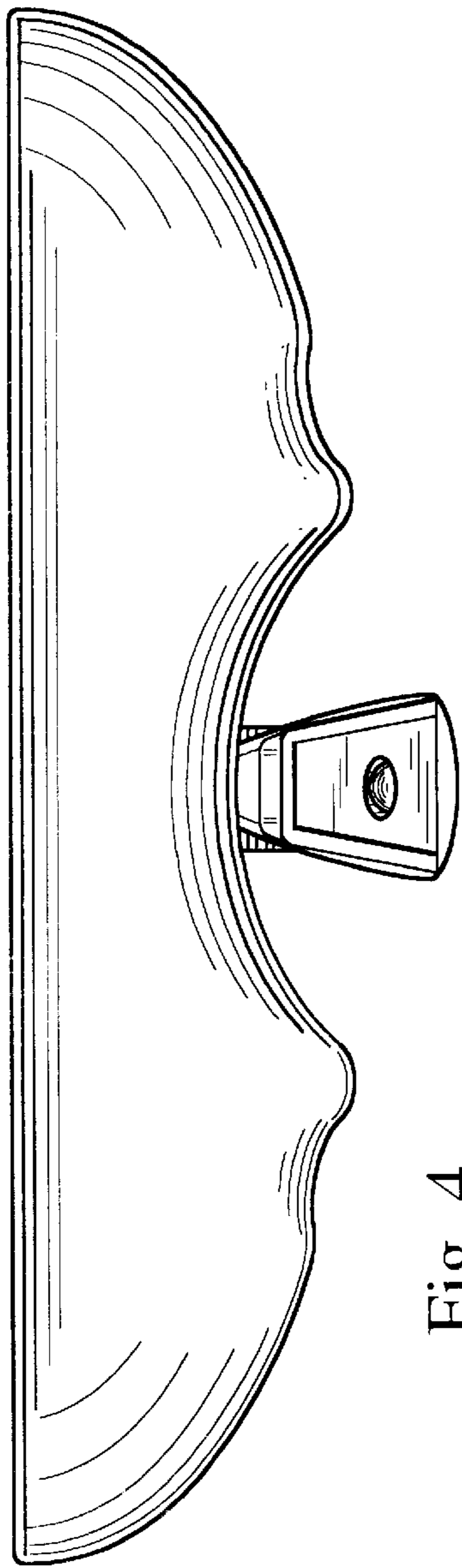


Fig. 4

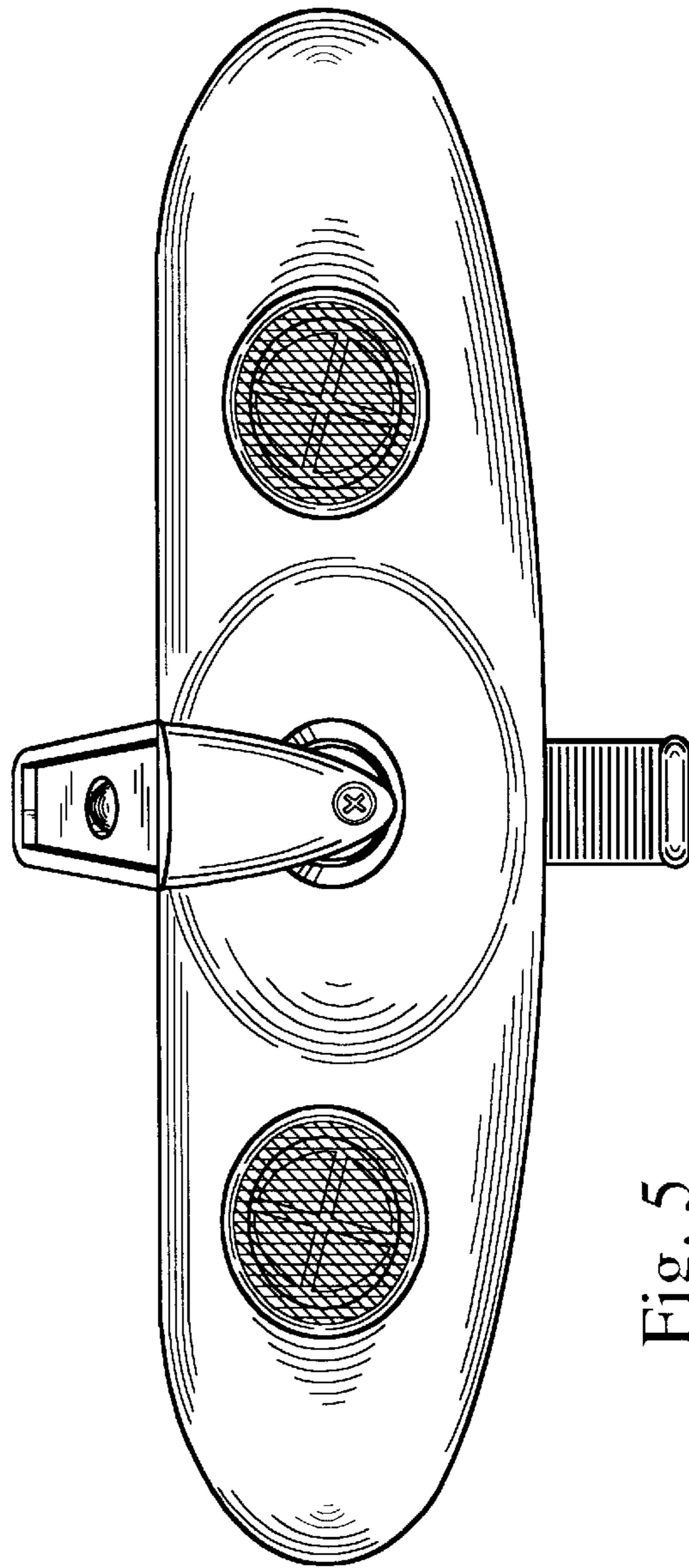


Fig. 5