



US00D475662S

(12) **United States Design Patent**
Koizumi et al.

(10) **Patent No.:** **US D475,662 S**

(45) **Date of Patent:** **** Jun. 10, 2003**

(54) **RADIATOR GRILL**

(75) Inventors: **Iwao Koizumi**, Hiroshima (JP); **Dai Kimura**, Hiroshima (JP); **Kouichi Hayashi**, Hiroshima (JP); **Kunihiko Kurisu**, Hiroshima (JP)

(73) Assignee: **Mazda Motor Corporation**, Hiroshima-ken (JP)

(**) Term: **14 Years**

(21) Appl. No.: **29/157,818**

(22) Filed: **Mar. 27, 2002**

(30) **Foreign Application Priority Data**

Oct. 12, 2001 (JP) 2001-030106

(51) **LOC (7) Cl.** **12-16**

(52) **U.S. Cl.** **D12/163**

(58) **Field of Search** D12/163, 90-92; 180/68.1, 68.6, 69.21; 293/102, 115

(56) **References Cited**

U.S. PATENT DOCUMENTS

D422,546 S	*	4/2000	Toyoda	D12/196
D422,547 S	*	4/2000	Kitamura et al.	D12/196
D432,065 S	*	10/2000	Kitamura	D12/196
D451,871 S		12/2001	Fujii et al.		
D452,837 S	*	1/2002	Kitamura et al.	D12/163

FOREIGN PATENT DOCUMENTS

JP D2000-025296 9/2000

OTHER PUBLICATIONS

Publication of Design Registration No. 1066290, "Radiator Grill for Motor Vehicle" Date of Publication: Apr. 10, 2000, Partial Translation.

Publication of Design Registration No. 1066857, "Radiator Grill" Date of Publication: Apr. 10, 2000, Partial Translation.

Application for Design Registration, Application No. 2001-019074, Design for Motor Vehicle Date of Filing: Jun. 29, 2001.

* cited by examiner

Primary Examiner—Melody N. Brown

(74) *Attorney, Agent, or Firm*—Nixon Peabody LLP; Donald R. Studebaker

(57) **CLAIM**

The ornamental design for a radiator grill, as shown and described.

DESCRIPTION

FIG. 1 is a perspective view of a radiator grill;

FIG. 2 is a front view thereof;

FIG. 3 is a rear view thereof;

FIG. 4 is a left side view thereof;

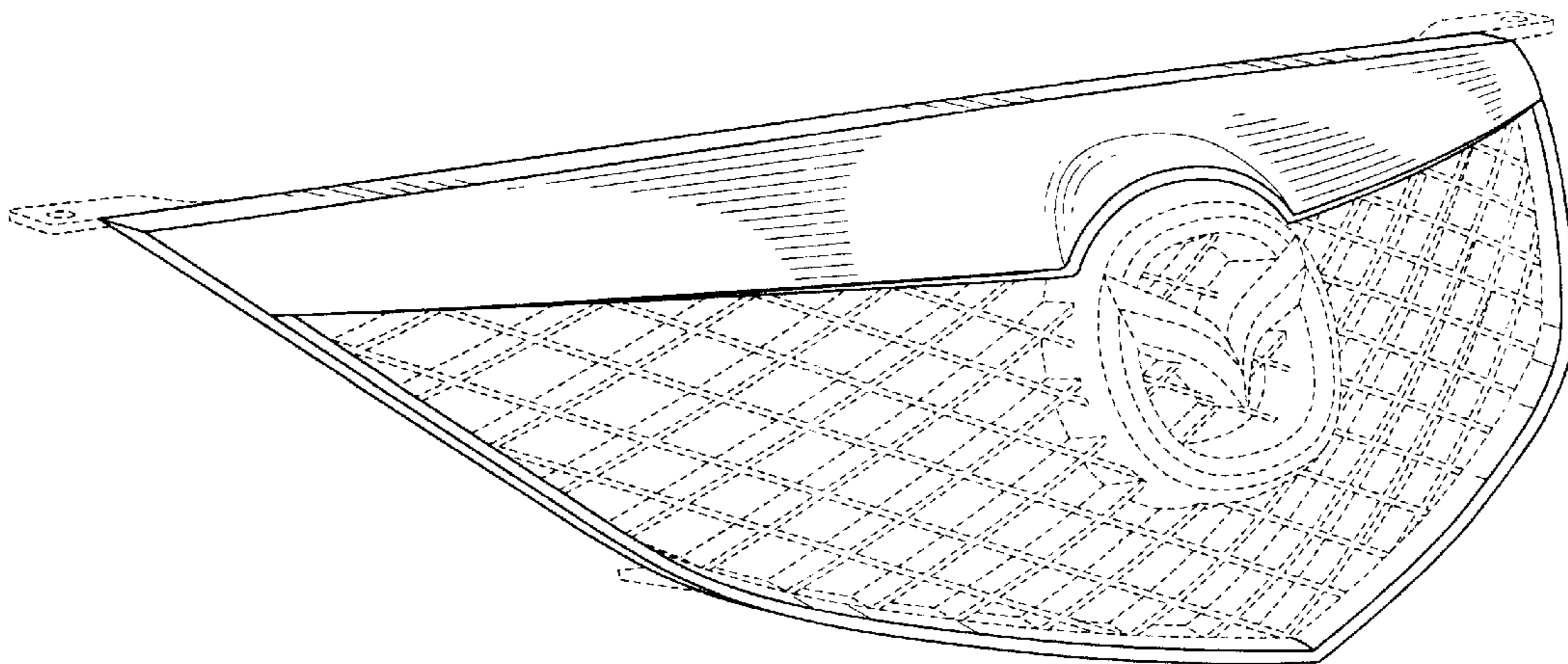
FIG. 5 is a right side view thereof;

FIG. 6 is a top view thereof; and,

FIG. 7 is a bottom view thereof.

Portion in broken lines is shown for illustrative purposes only and forms no part of the claimed design.

1 Claim, 3 Drawing Sheets



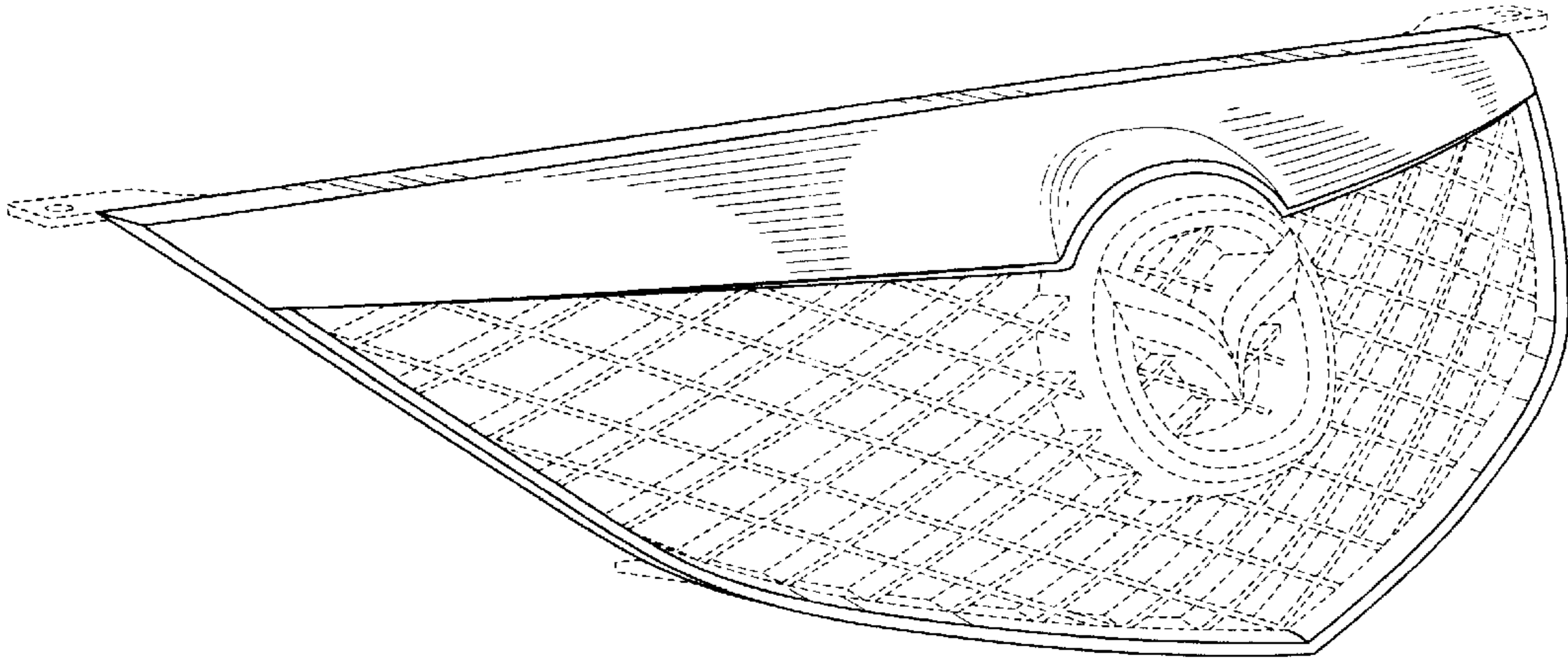


Fig. 1

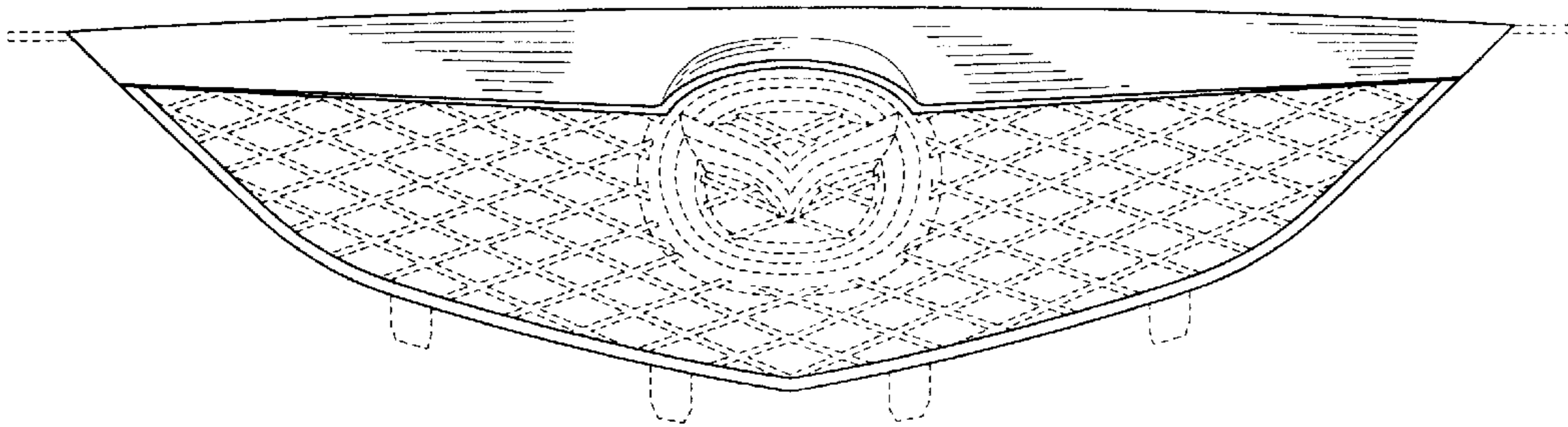


Fig. 2

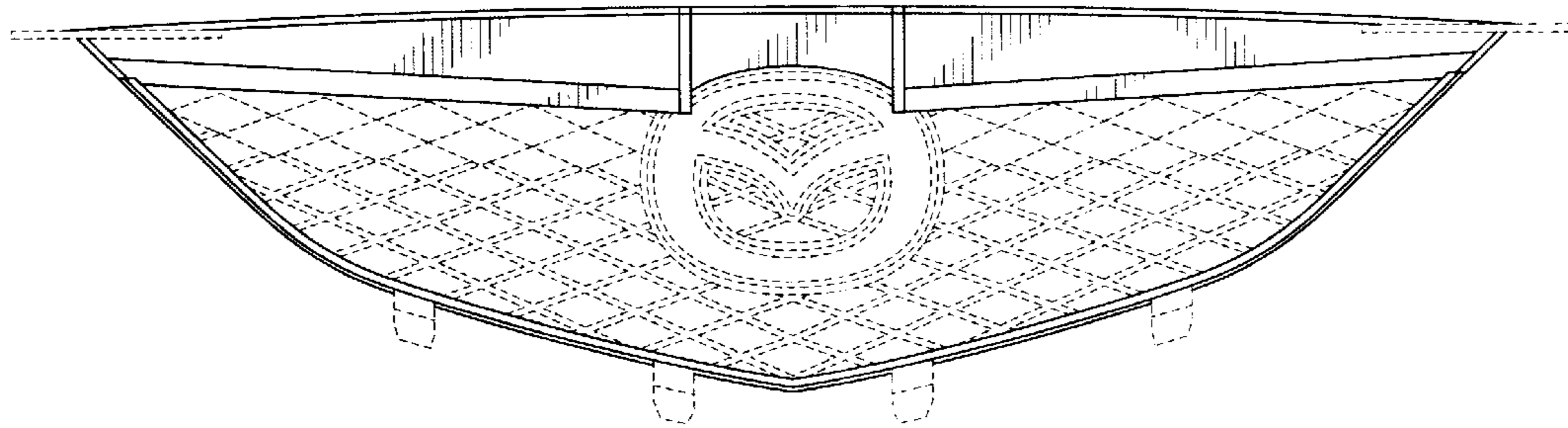


Fig. 3

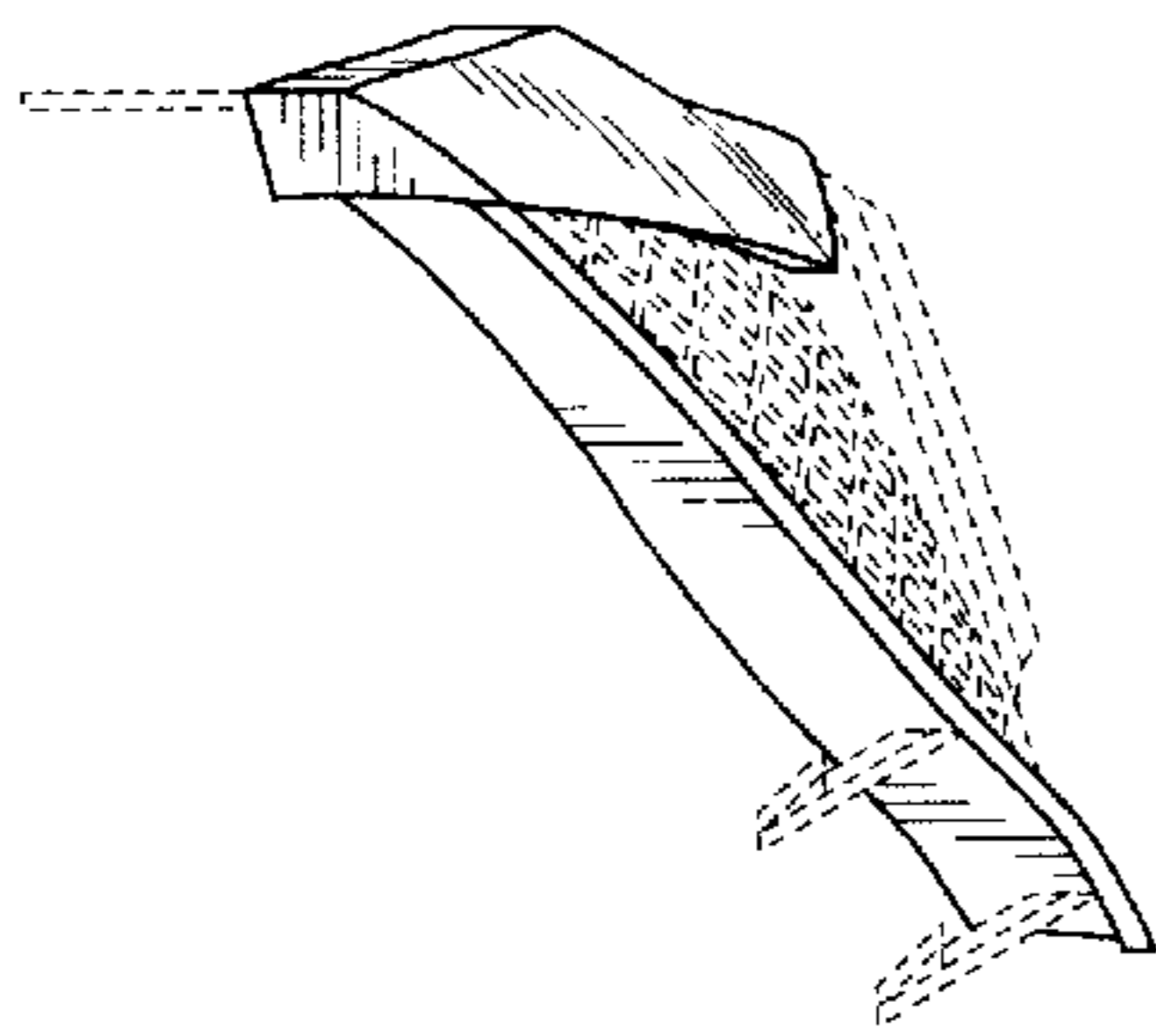


Fig. 4

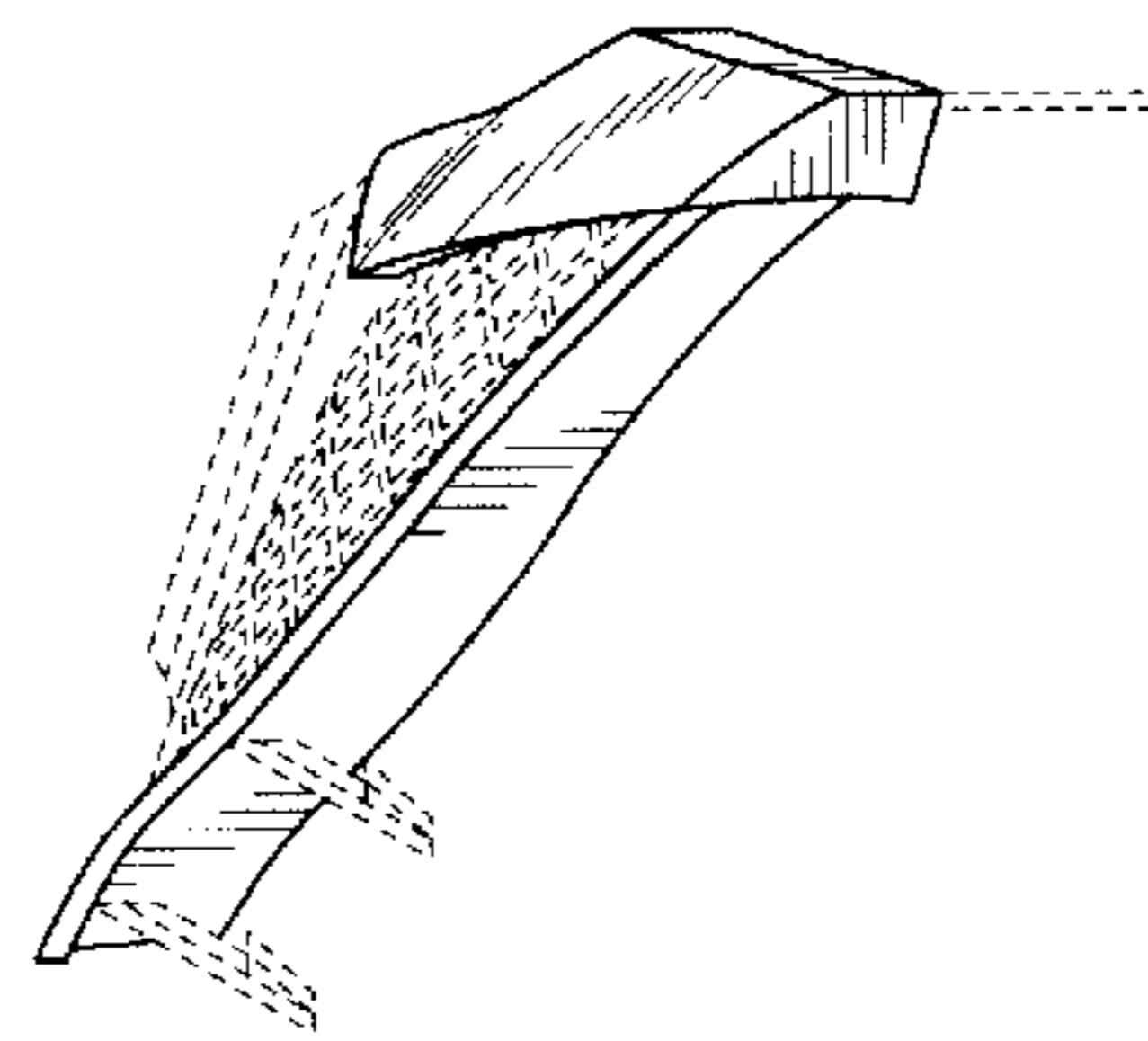


Fig. 5

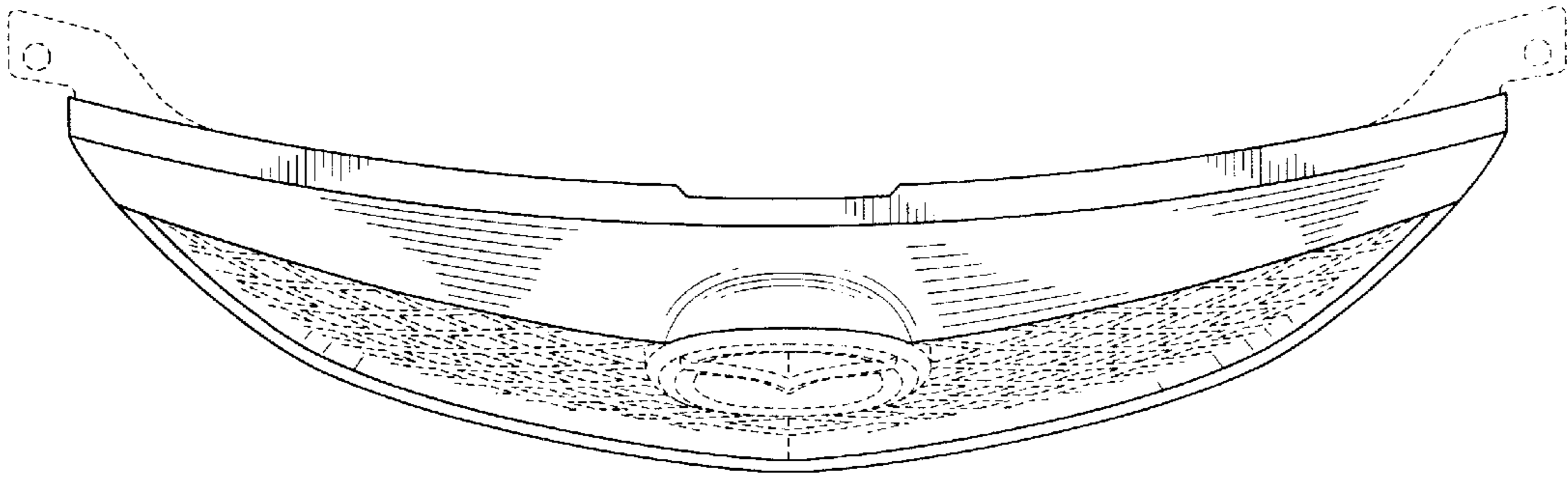


Fig. 6

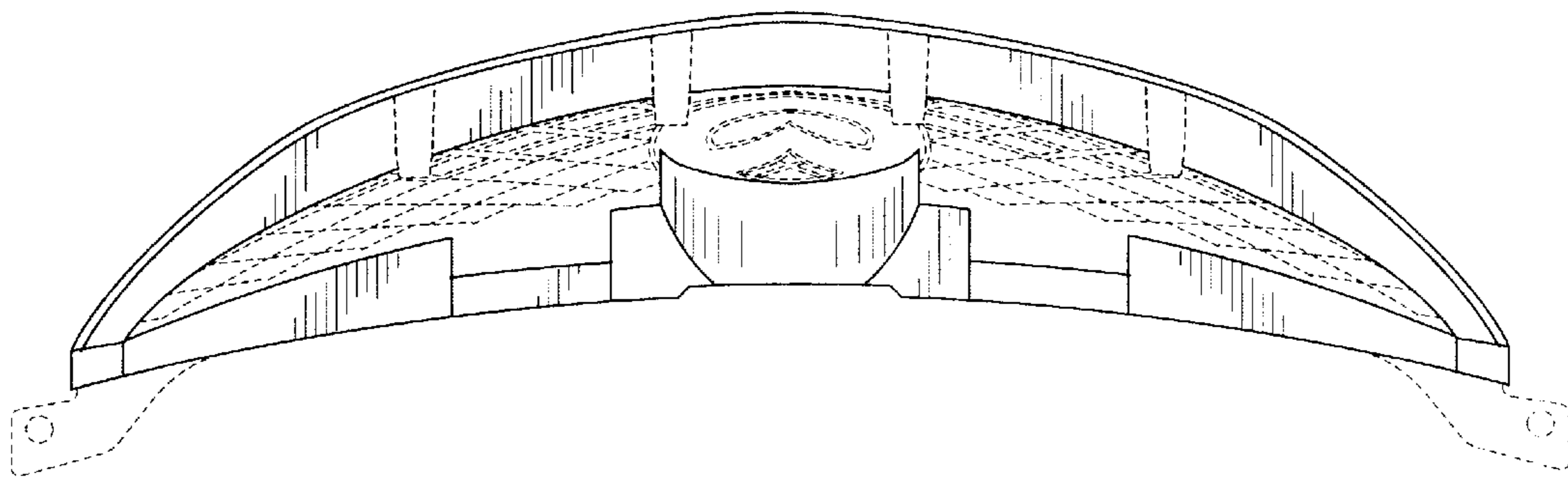


Fig. 7