



US00D475661S

(12) **United States Design Patent**
Chuang

(10) **Patent No.:** **US D475,661 S**

(45) **Date of Patent:** **** Jun. 10, 2003**

(54) **BOTTOM FRAME OF WALKER**

D445,143 S * 7/2001 Bellows D12/130
D449,569 S * 10/2001 Hu D12/130

(75) Inventor: **A-Chueh Chuang**, Tainan (TW)

* cited by examiner

(73) Assignee: **Jin Sun Gee Plastics Co., Ltd.**, Tainan (TW)

Primary Examiner—Marcus A. Jackson
(74) *Attorney, Agent, or Firm*—Rosenberg, Klein & Lee

(**) Term: **14 Years**

(57) **CLAIM**

(21) Appl. No.: **29/163,588**

The ornamental design for a bottom frame of walker, as shown and described.

(22) Filed: **Jul. 10, 2002**

DESCRIPTION

(51) **LOC (7) Cl.** **12-12**

(52) **U.S. Cl.** **D12/130**

(58) **Field of Search** D12/128-133;
297/5, 6; 280/87.1, 87.2, 87.05, 87.051,
43.24

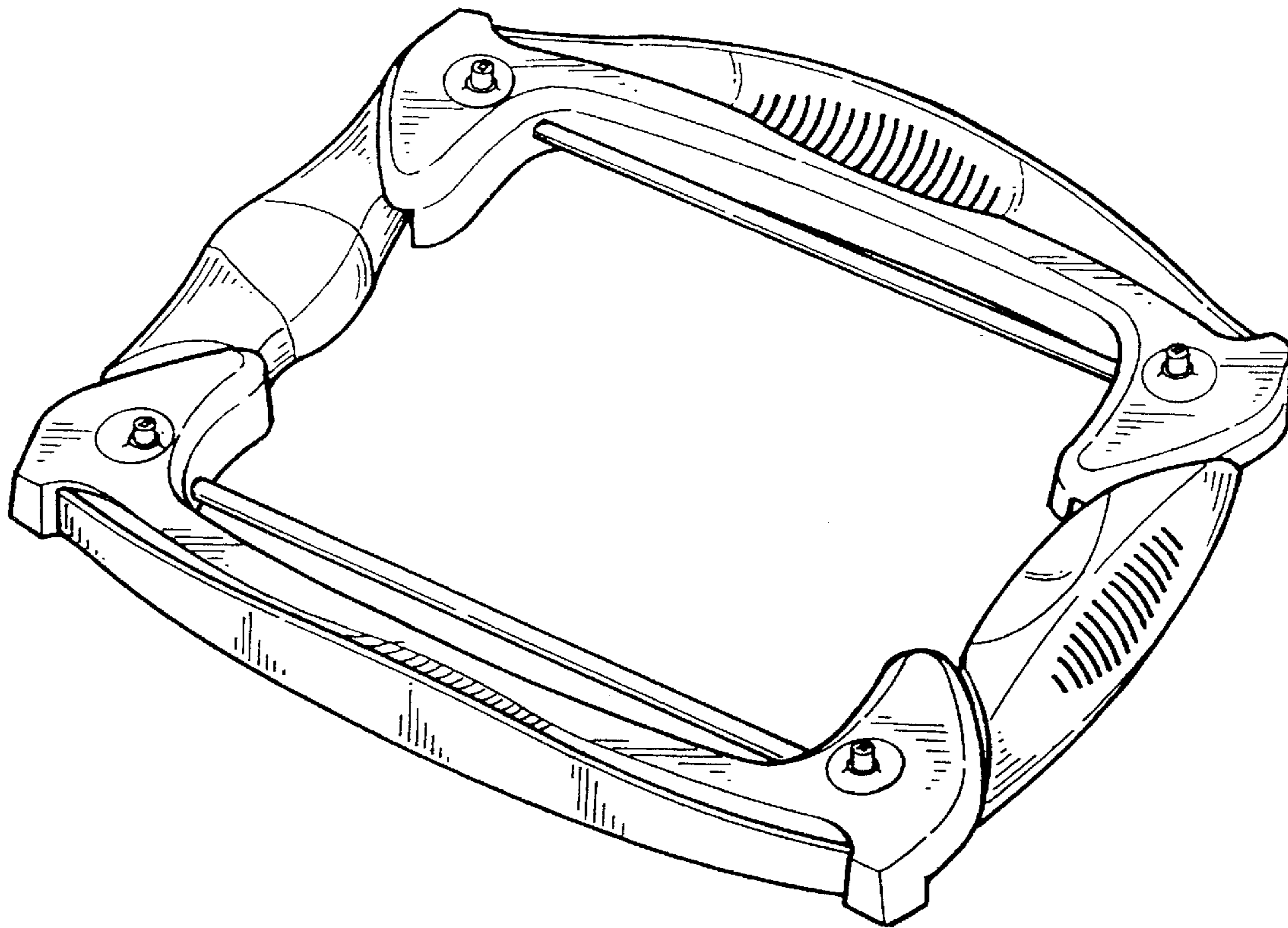
FIG. 1 is a perspective view of a bottom frame of walker showing my new design;
FIG. 2 is a front elevational view thereof;
FIG. 3 is a rear elevational view thereof;
FIG. 4 is a left side elevational view thereof;
FIG. 5 is a right side elevational view thereof;
FIG. 6 is a top plan view thereof; and,
FIG. 7 is a bottom plan view thereof.

(56) **References Cited**

U.S. PATENT DOCUMENTS

D407,352 S * 3/1999 Hu D12/130
D428,833 S * 8/2000 Chuang D12/130

1 Claim, 5 Drawing Sheets



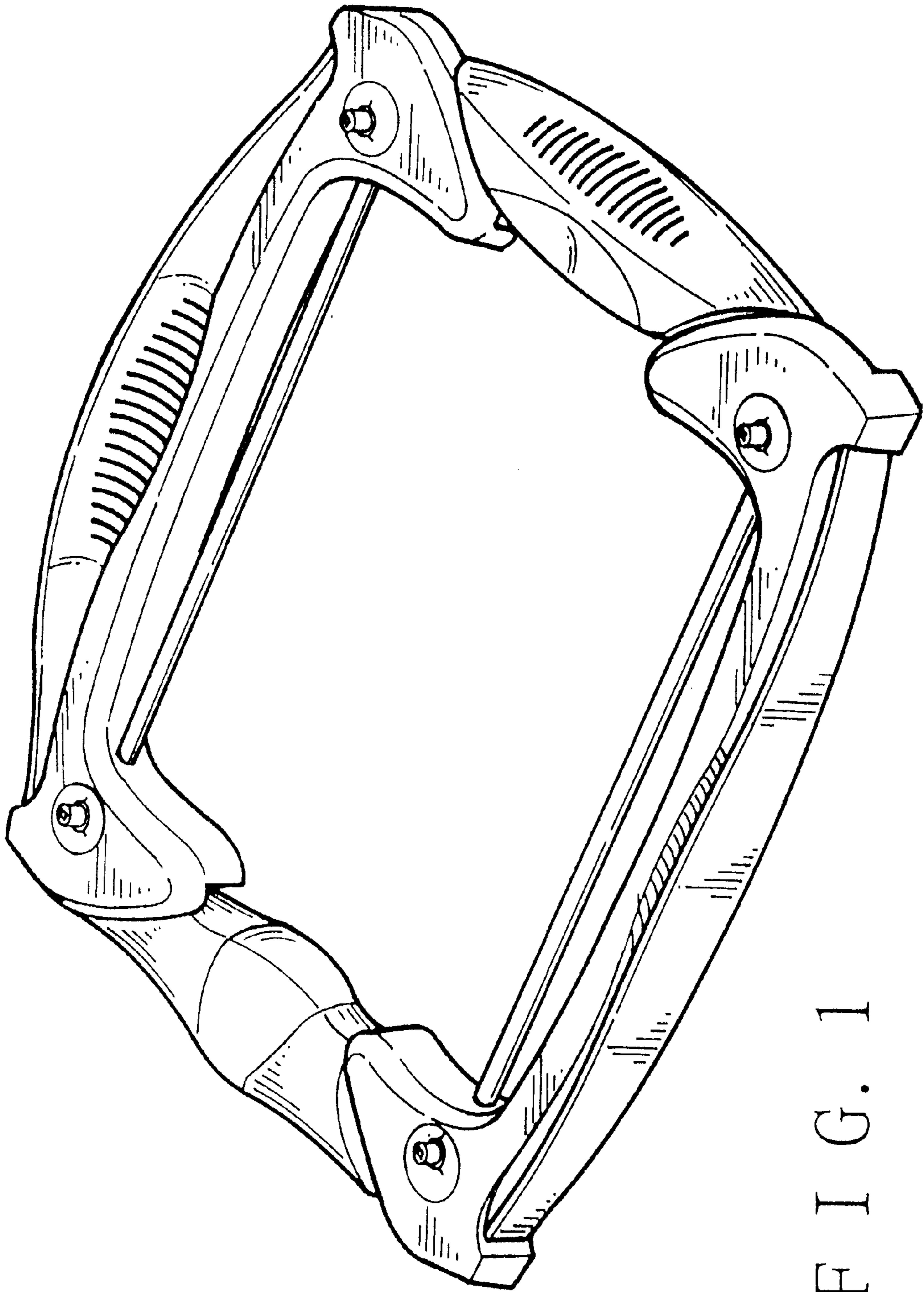
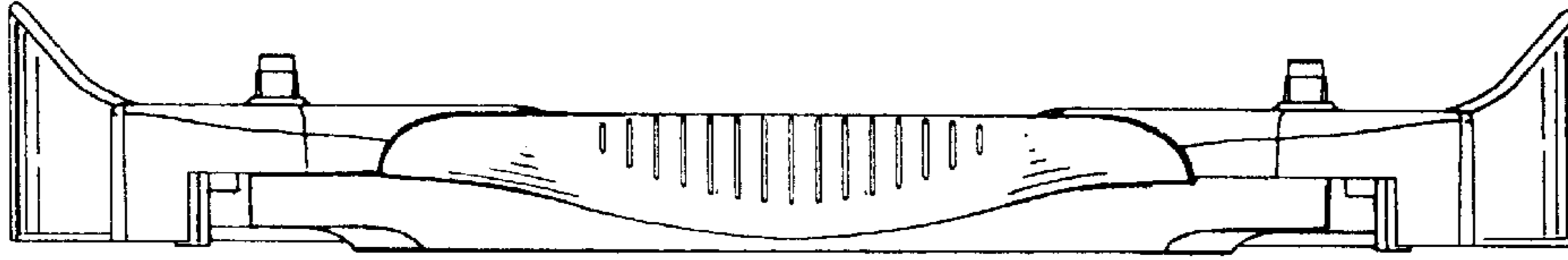
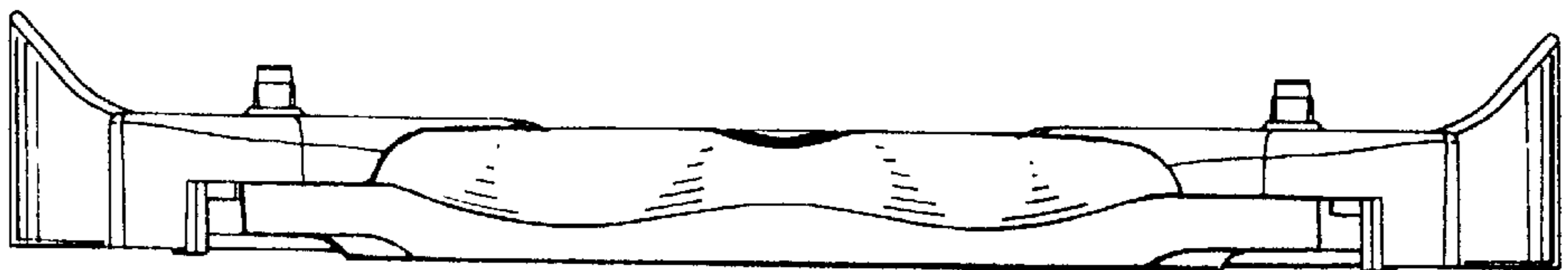


FIG. 1



F I G . 2



F I G . 3

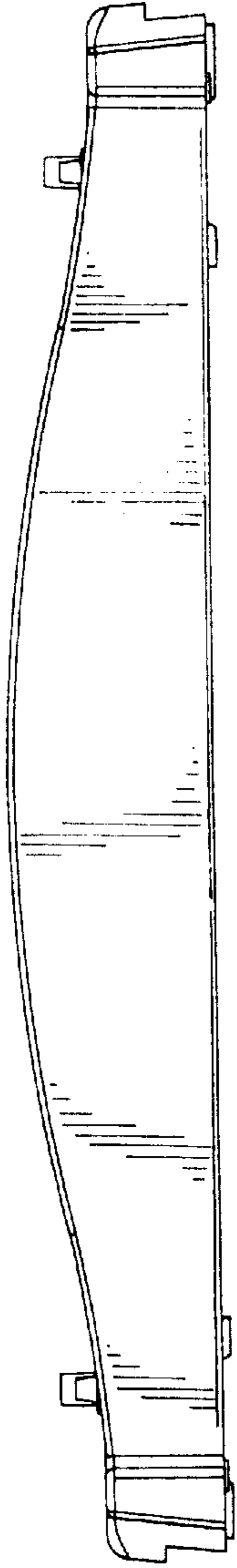


FIG. 4

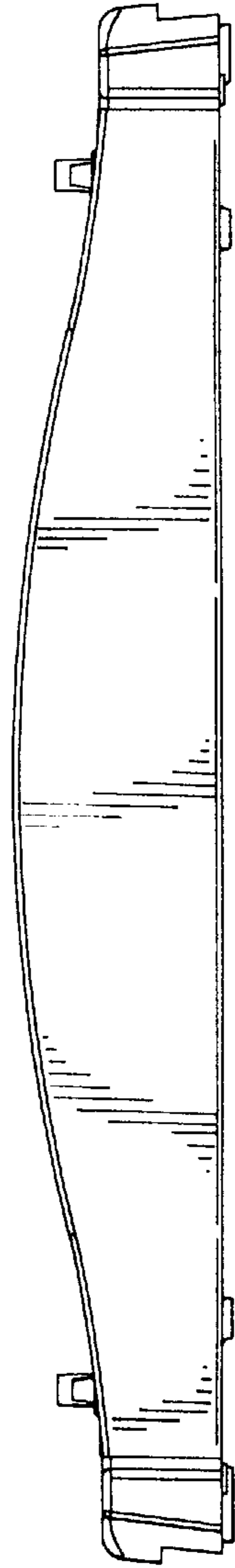


FIG. 5

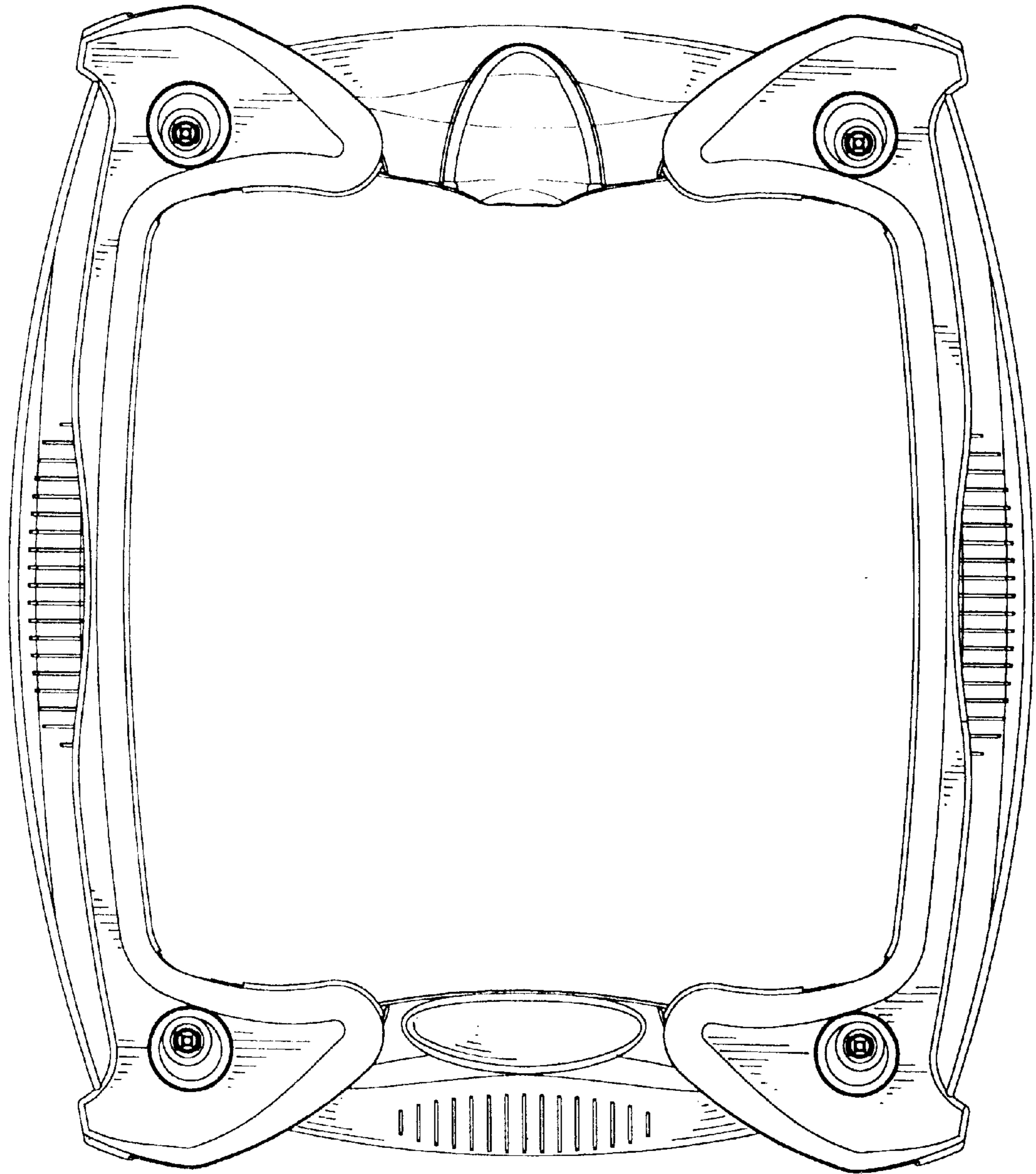


FIG. 6

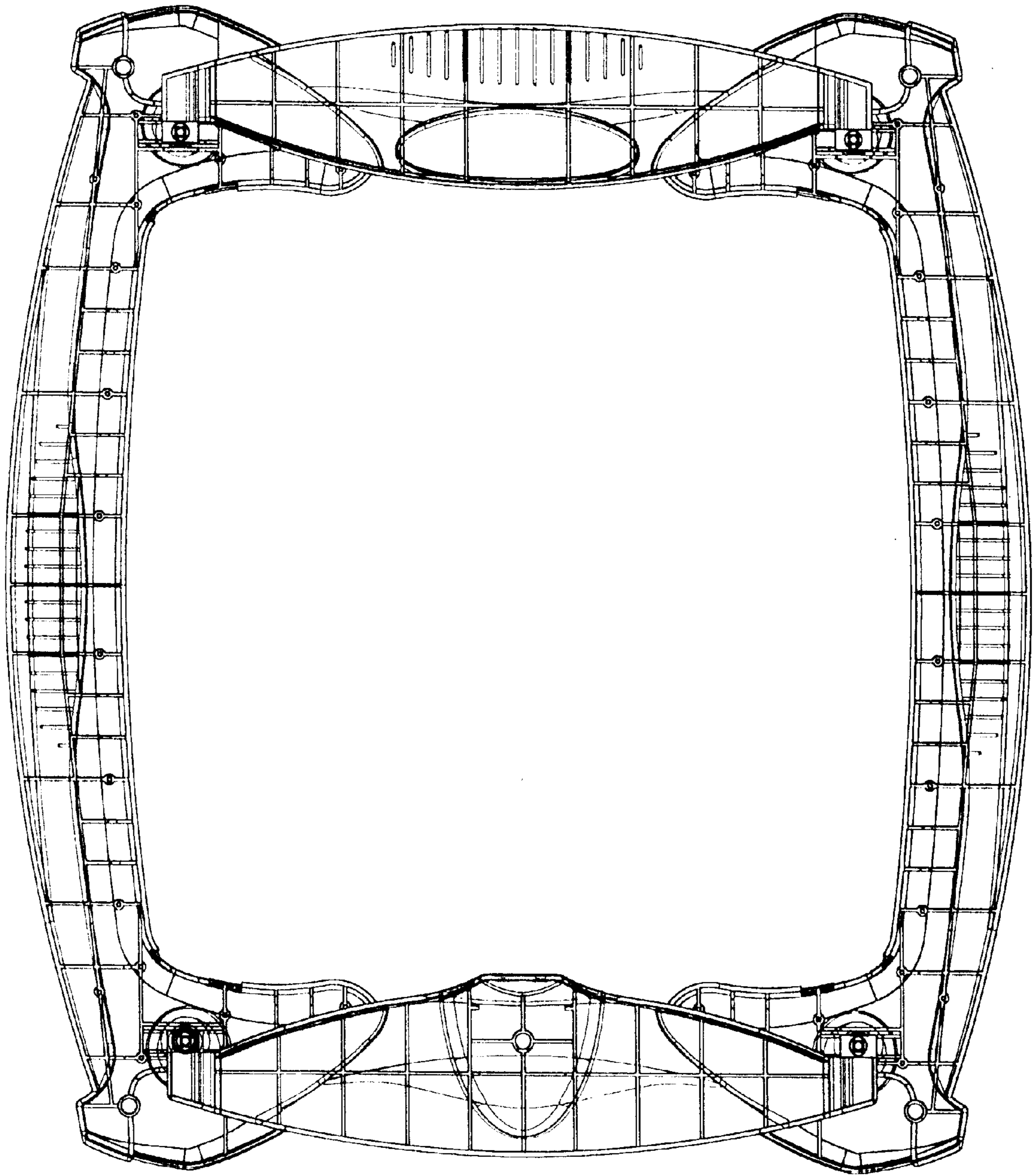


FIG. 7