



US00D475658S

(12) **United States Design Patent**
Martin

(10) **Patent No.:** **US D475,658 S**

(45) **Date of Patent:** **** Jun. 10, 2003**

(54) **AESTHETICALLY NARROW
NONSYMMETRICAL FRONT SCOOTER
FORK**

(76) **Inventor:** **Christopher V. Martin**, 1826 W.
Broadway # 7, Mesa, AZ (US) 85202

(**) **Term:** **14 Years**

(21) **Appl. No.:** **29/149,748**

(22) **Filed:** **Oct. 16, 2001**

(51) **LOC (7) Cl.** **12-11**

(52) **U.S. Cl.** **D12/118**

(58) **Field of Search** **D12/110, 111,**
D12/118; 280/274-280, 281.1, 287, 288.1-288.3;
180/219

(56) **References Cited**

U.S. PATENT DOCUMENTS

4,632,415	A	*	12/1986	San Hai	280/279
D326,249	S	*	5/1992	Chance et al.	D12/118
5,609,349	A	*	3/1997	Buckmiller et al.	280/280

* cited by examiner

Primary Examiner—Alan P. Douglas
Assistant Examiner—Linda Brooks

(57) **CLAIM**

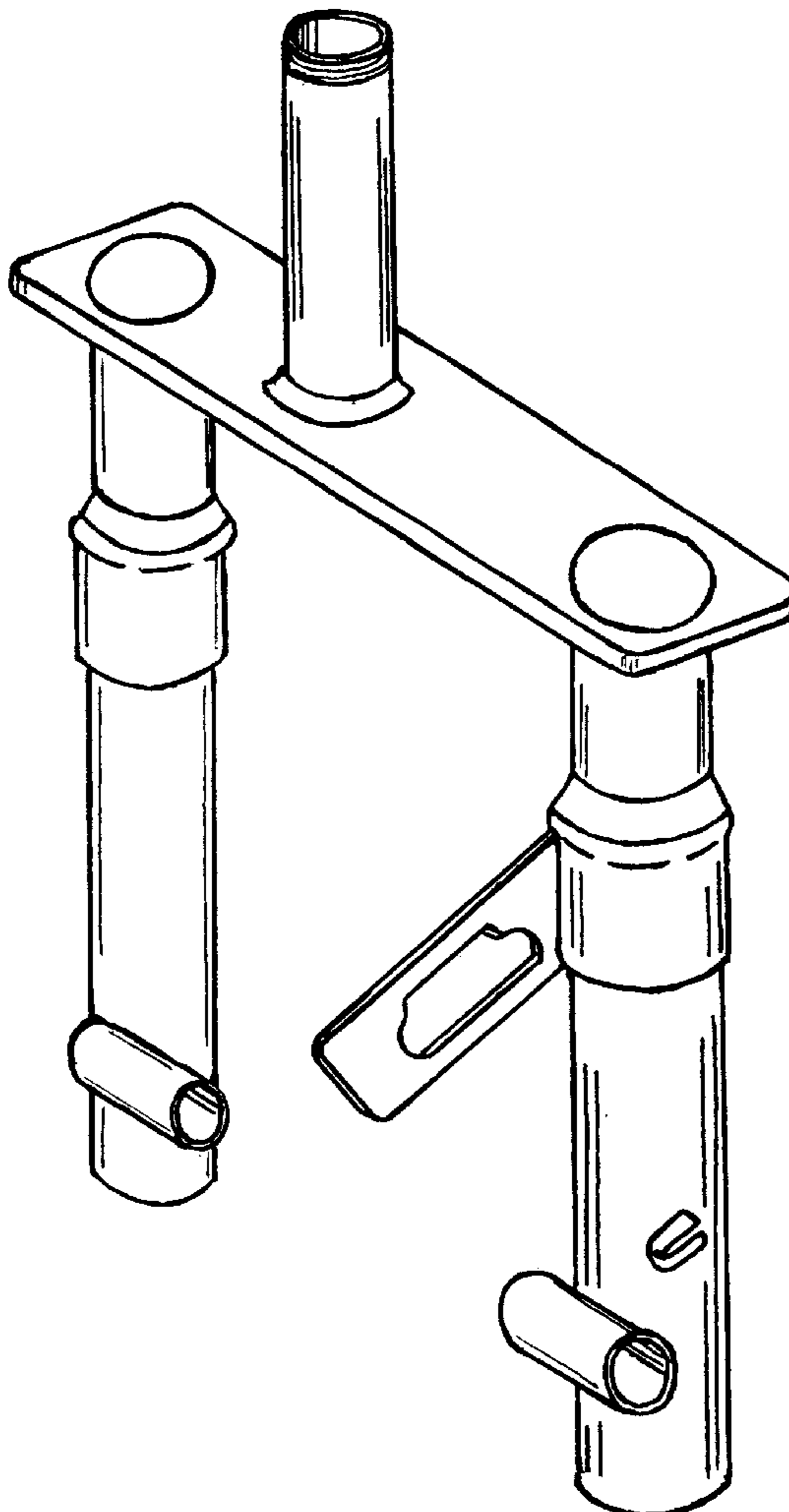
The ornamental design for an aesthetically narrow nonsymmetrical front scooter fork, as shown and described.

DESCRIPTION

FIG. 1 is a front perspective view;
FIG. 2 is a front perspective view showing the placement of the front tire and brake;
FIG. 3 is a front view;
FIG. 4 is a front view showing the front tire and brake;
FIG. 5 is a bottom view showing the front tire;
FIG. 6 is a top view showing the front tire;
FIG. 7 is a left hand view; and,
FIG. 8 is a right hand view.

The front tire and brake are shown in broken lines for illustrative purposes only and form no part of the claimed design.

1 Claim, 8 Drawing Sheets



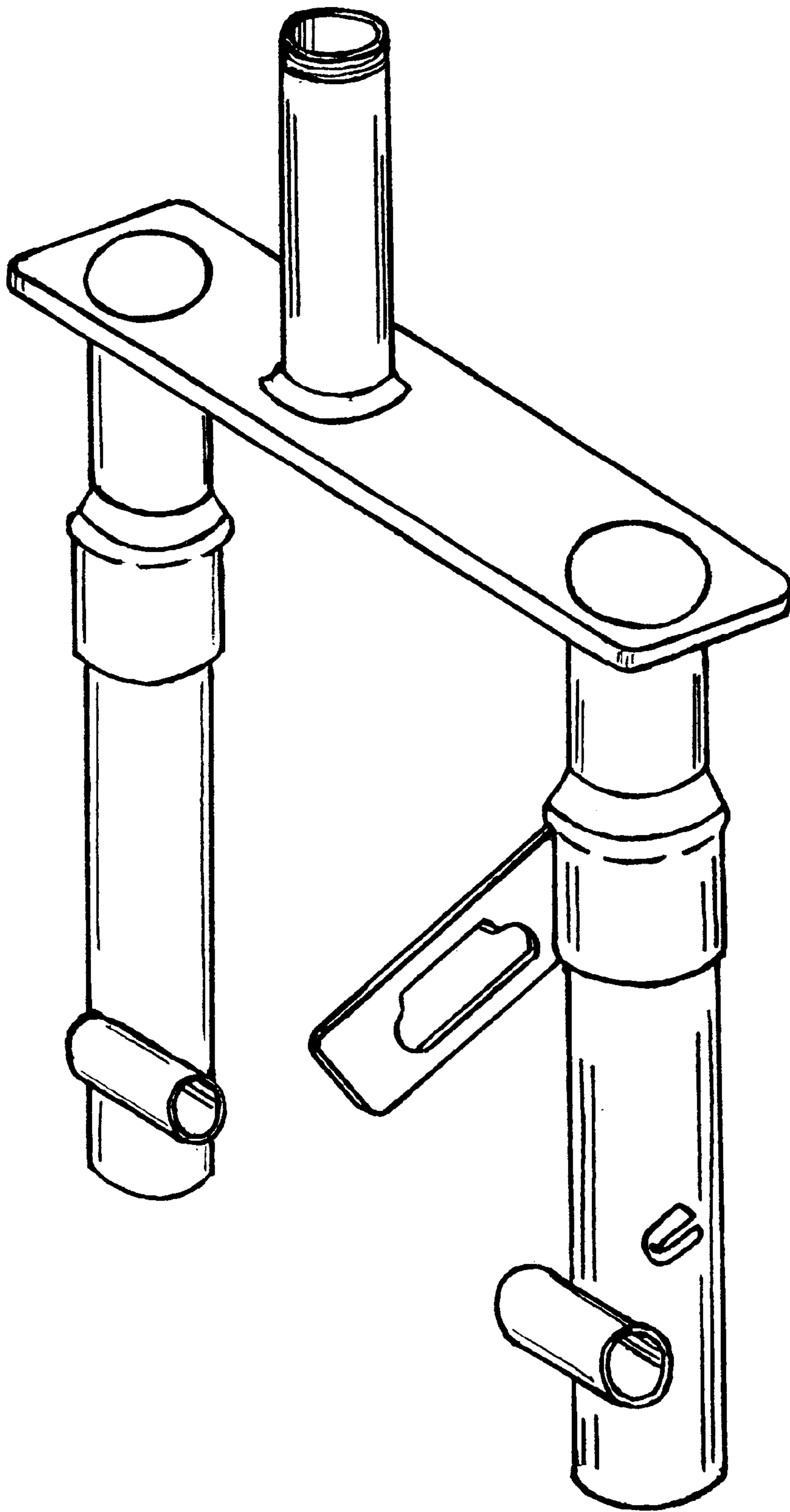


FIG. 1

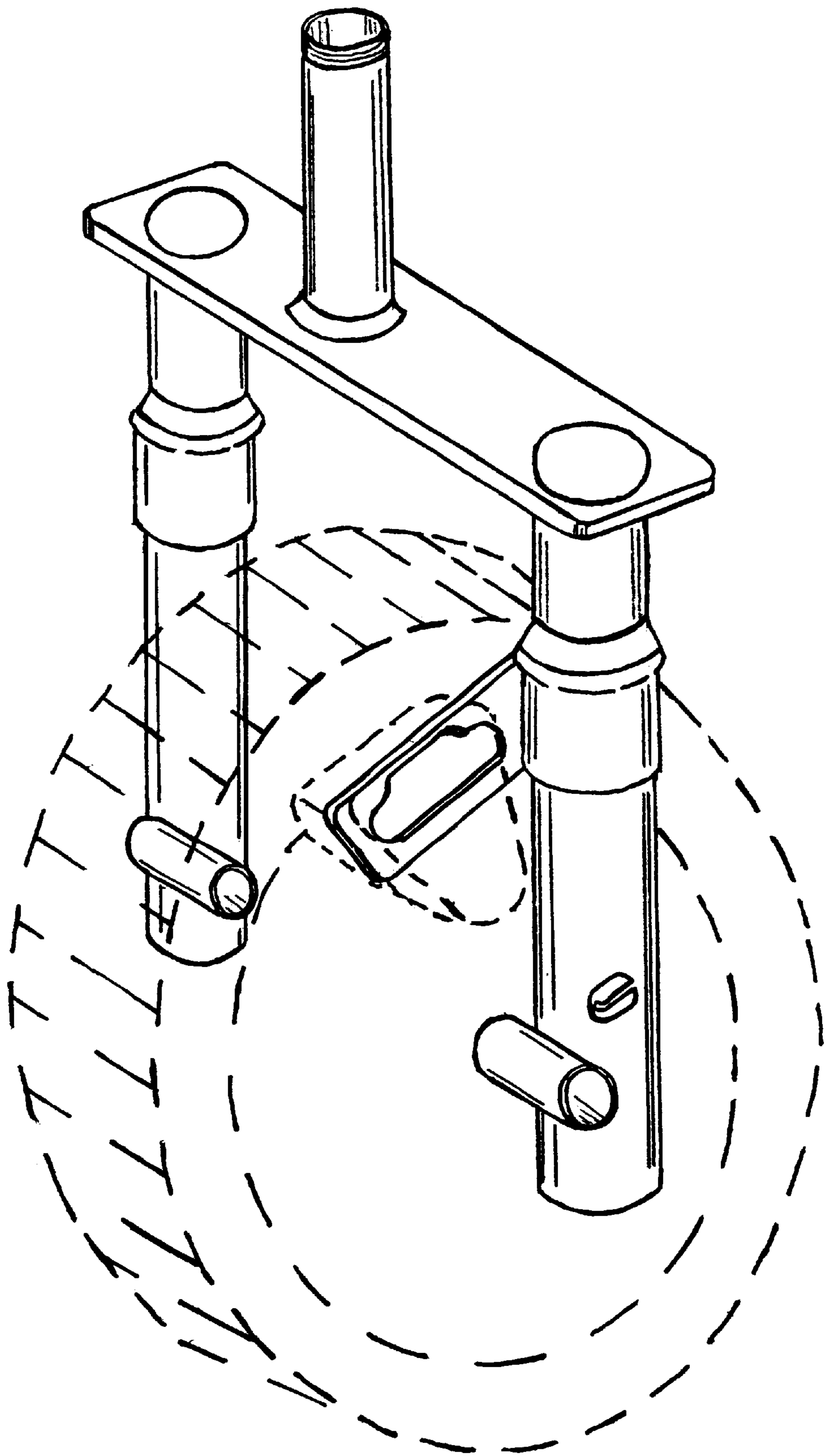


FIG. 2

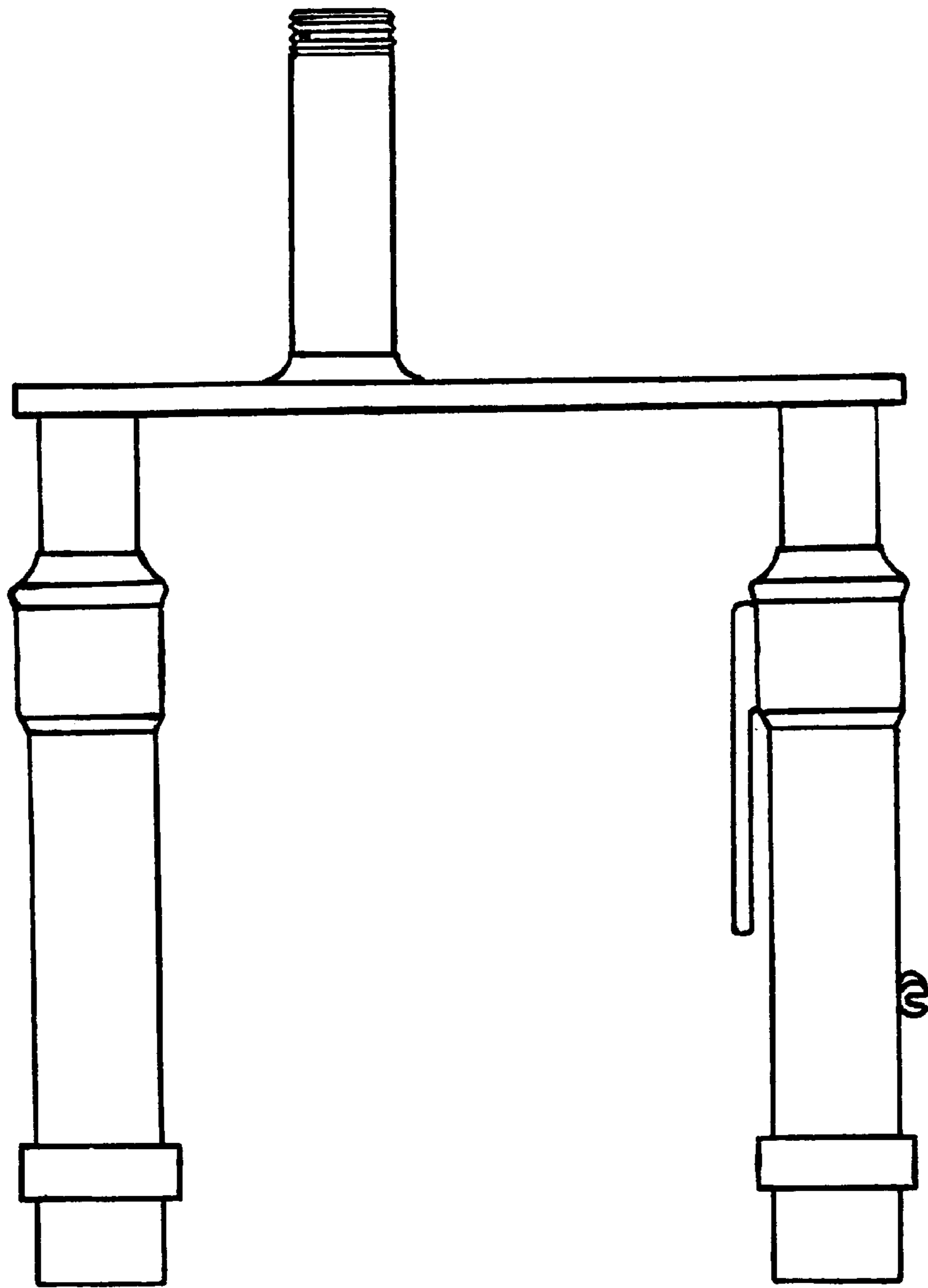


FIG. 3

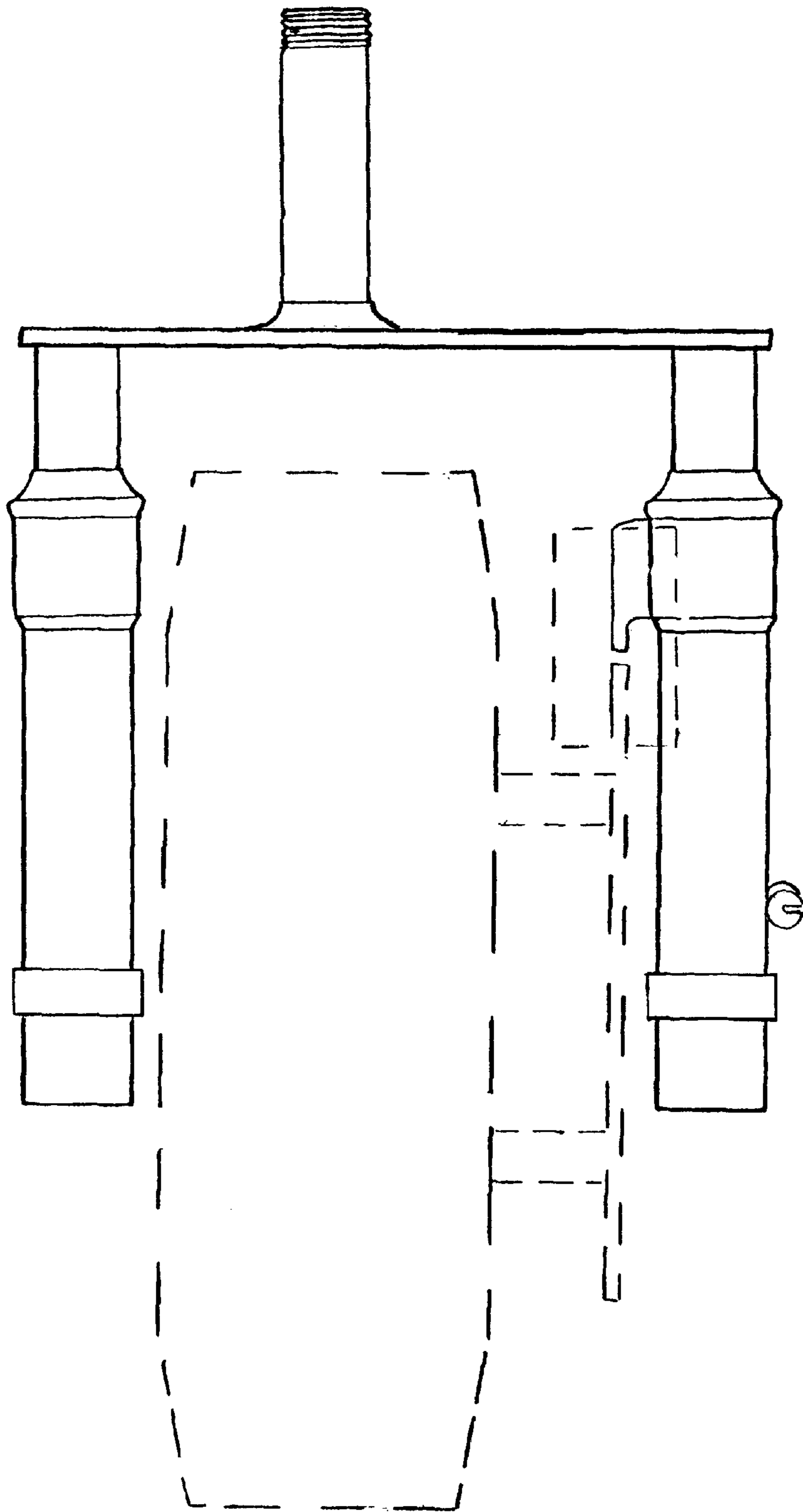


FIG. 4

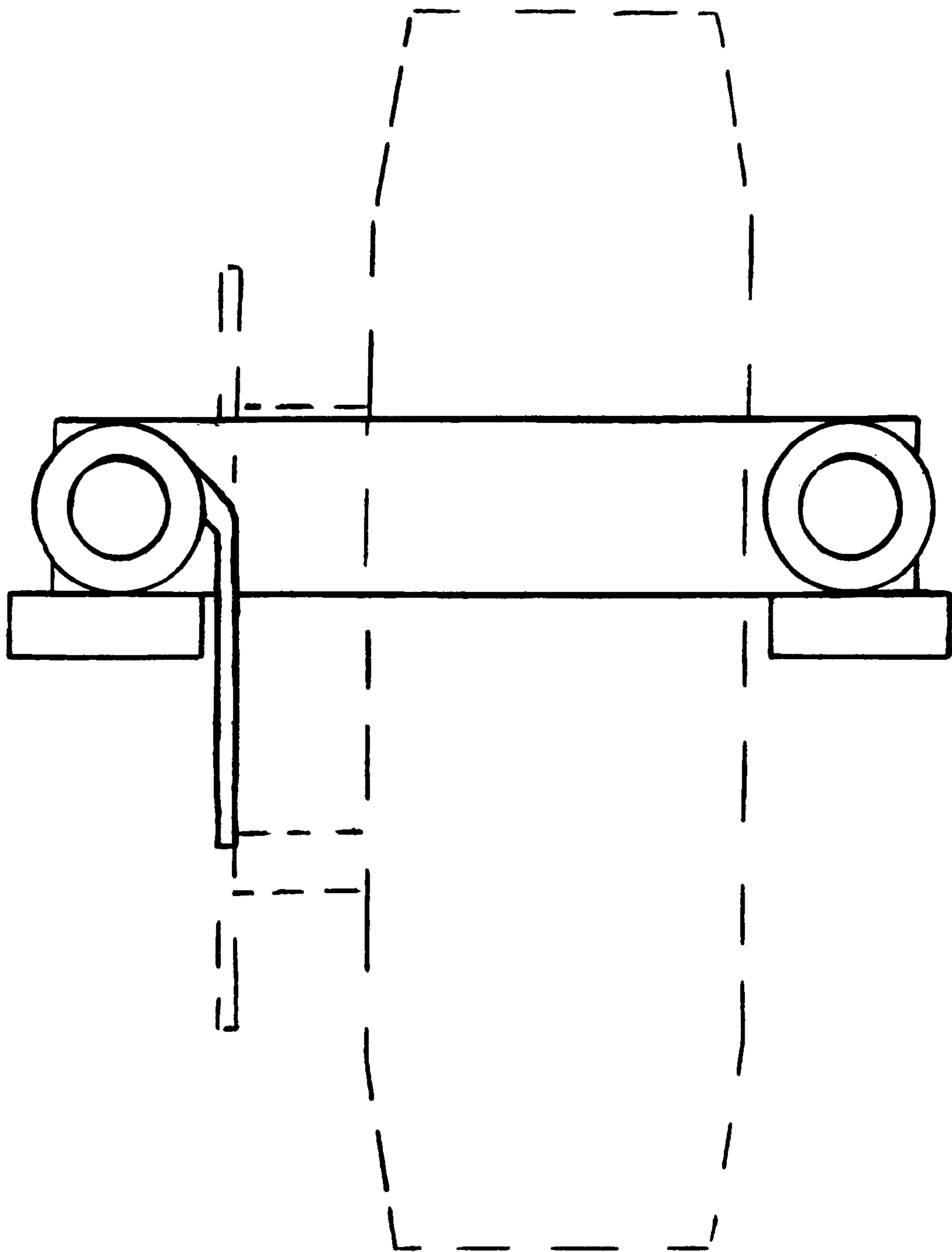


FIG. 5

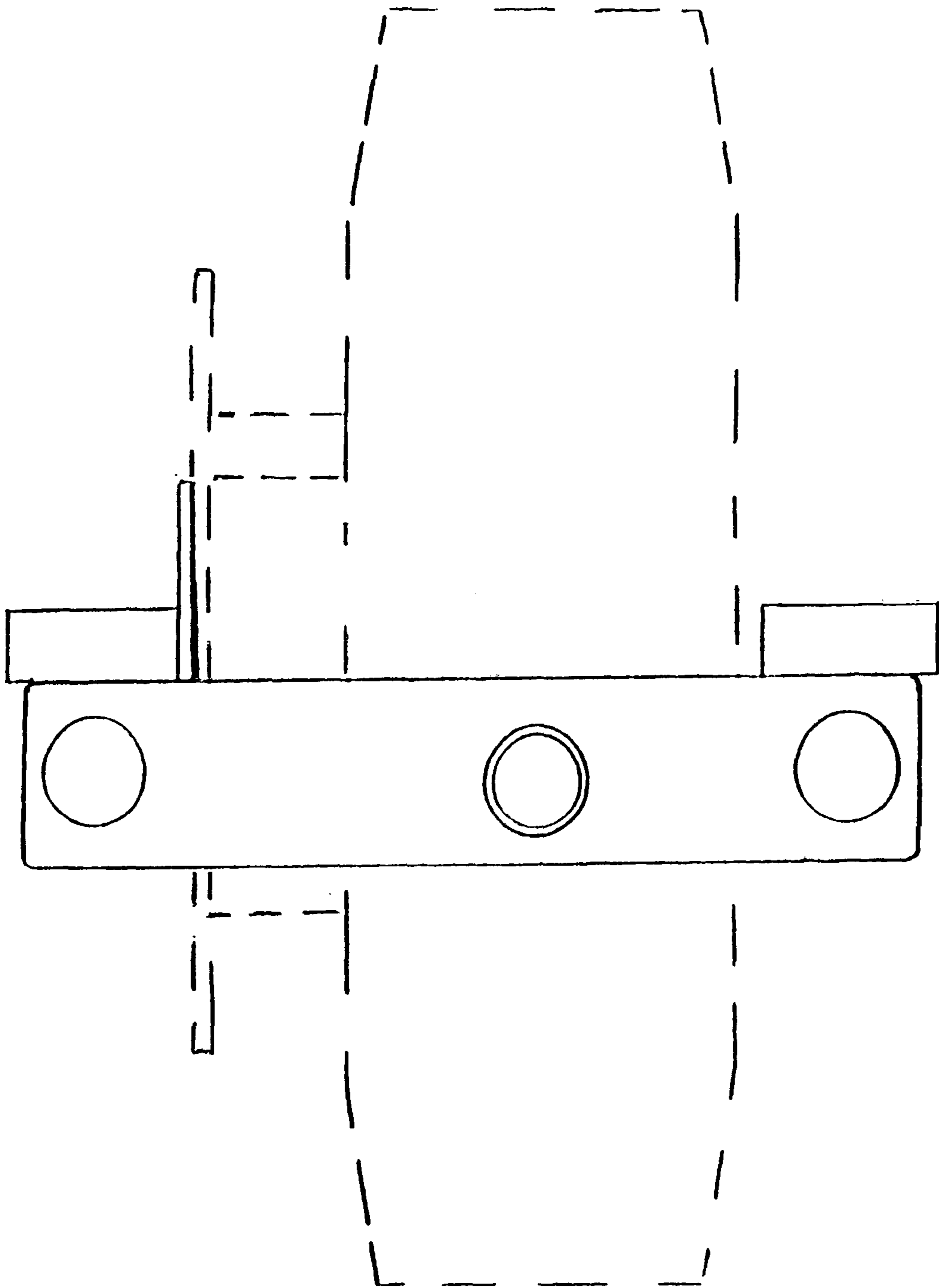


FIG. 6

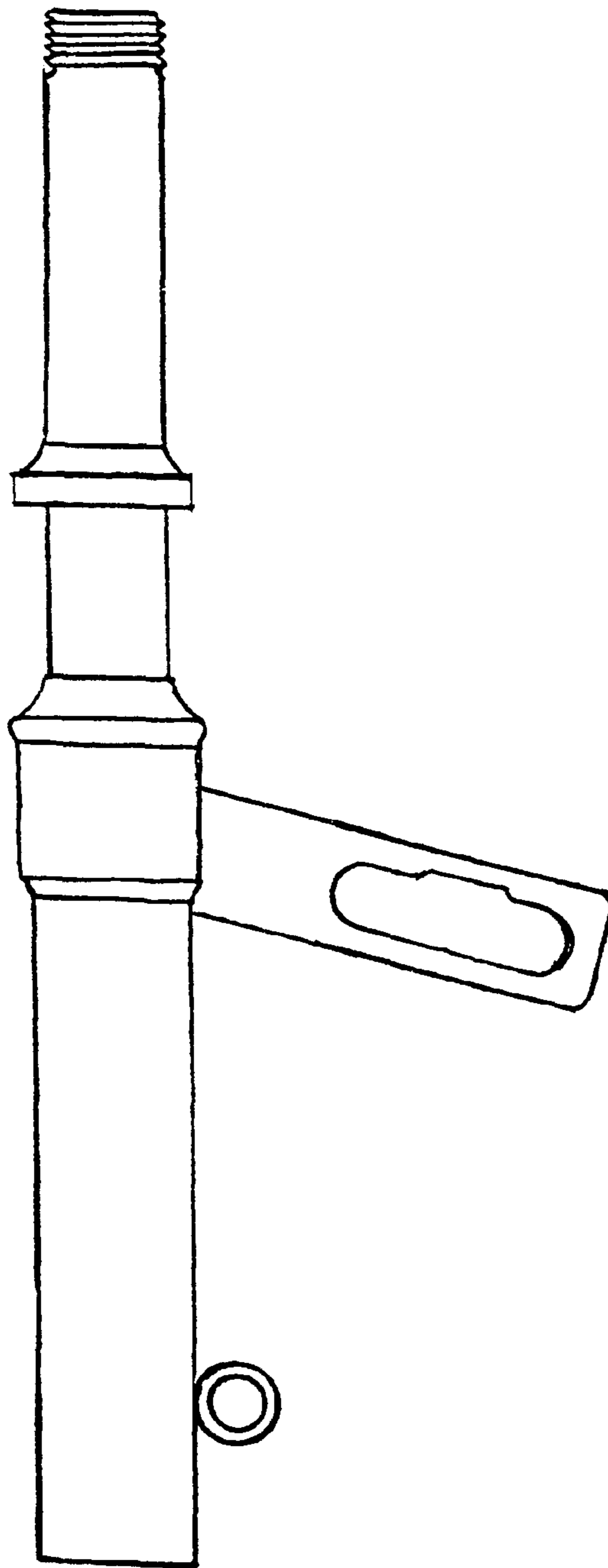


FIG. 7

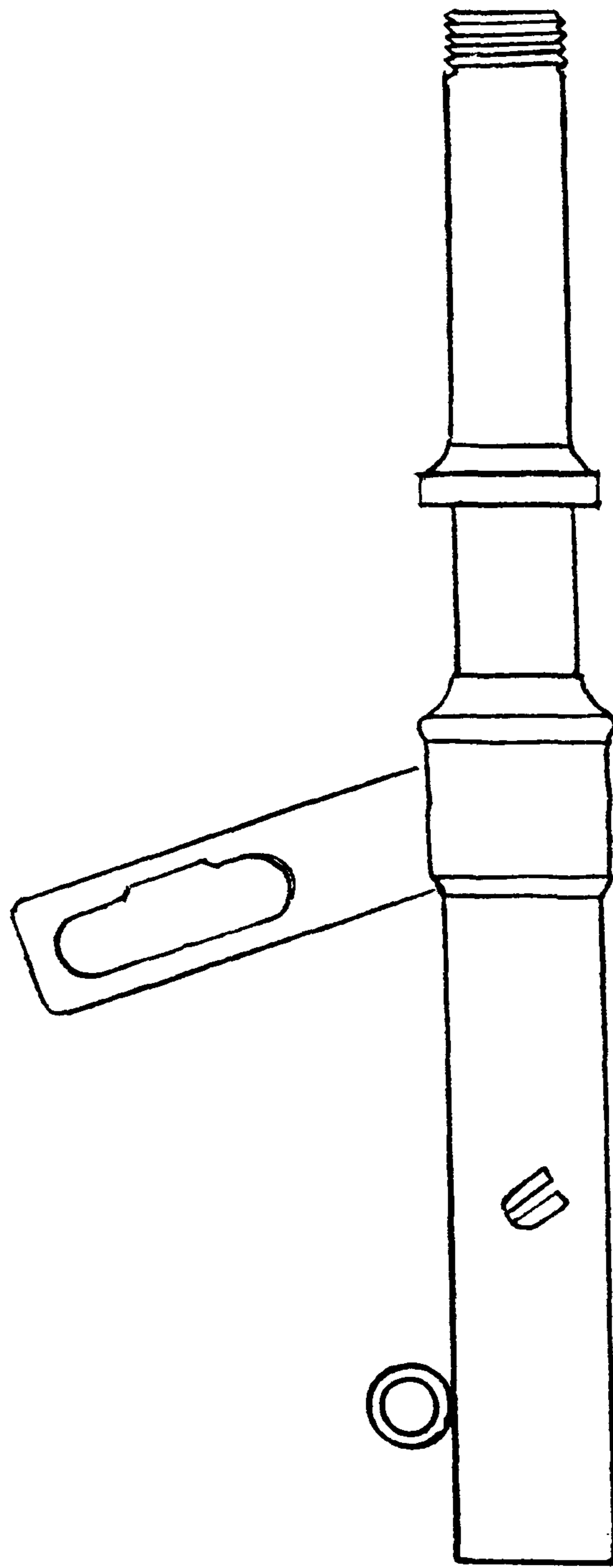


FIG. 8