



US00D475646S

(12) **United States Design Patent**
Mashevsky

(10) **Patent No.:** **US D475,646 S**

(45) **Date of Patent:** **** Jun. 10, 2003**

(54) **RUNWAY LIGHT**

D436,680 S * 1/2001 Leen D26/65
D452,027 S * 12/2001 Mashevsky D26/63

(75) Inventor: **Eduard Mashevsky**, Redondo Beach,
CA (US)

* cited by examiner

(73) Assignee: **Honeywell International Inc.**,
Morristown, NJ (US)

Primary Examiner—Marcus A. Jackson

(**) Term: **14 Years**

(57) **CLAIM**

(21) Appl. No.: **29/148,279**

I claim the ornamental design for a runway light, as shown and described.

(22) Filed: **Sep. 18, 2001**

DESCRIPTION

Related U.S. Application Data

(62) Division of application No. 29/130,177, filed on Sep. 28, 2000, now Pat. No. Des. 452,027.

FIG. 1 is a right side perspective view of an embodiment of the present invention;

(51) **LOC (7) Cl.** **10-05**

(52) **U.S. Cl.** **D10/114**

(58) **Field of Search** D26/60-66; D10/114;
362/269, 270, 275, 282, 283, 284, 285,
286, 287, 290, 427, 428, 429, 430

FIG. 2 is a front plan view of the embodiment shown in FIG. 1;

FIG. 3 is a rear plan view of the embodiment shown in FIG. 1;

FIG. 4 is a top plan view of the embodiment shown in FIG. 1;

FIG. 5 is a bottom plan view of the embodiment shown in FIG. 1;

FIG. 6 is a right side plan view of the embodiment shown in FIG. 1; and,

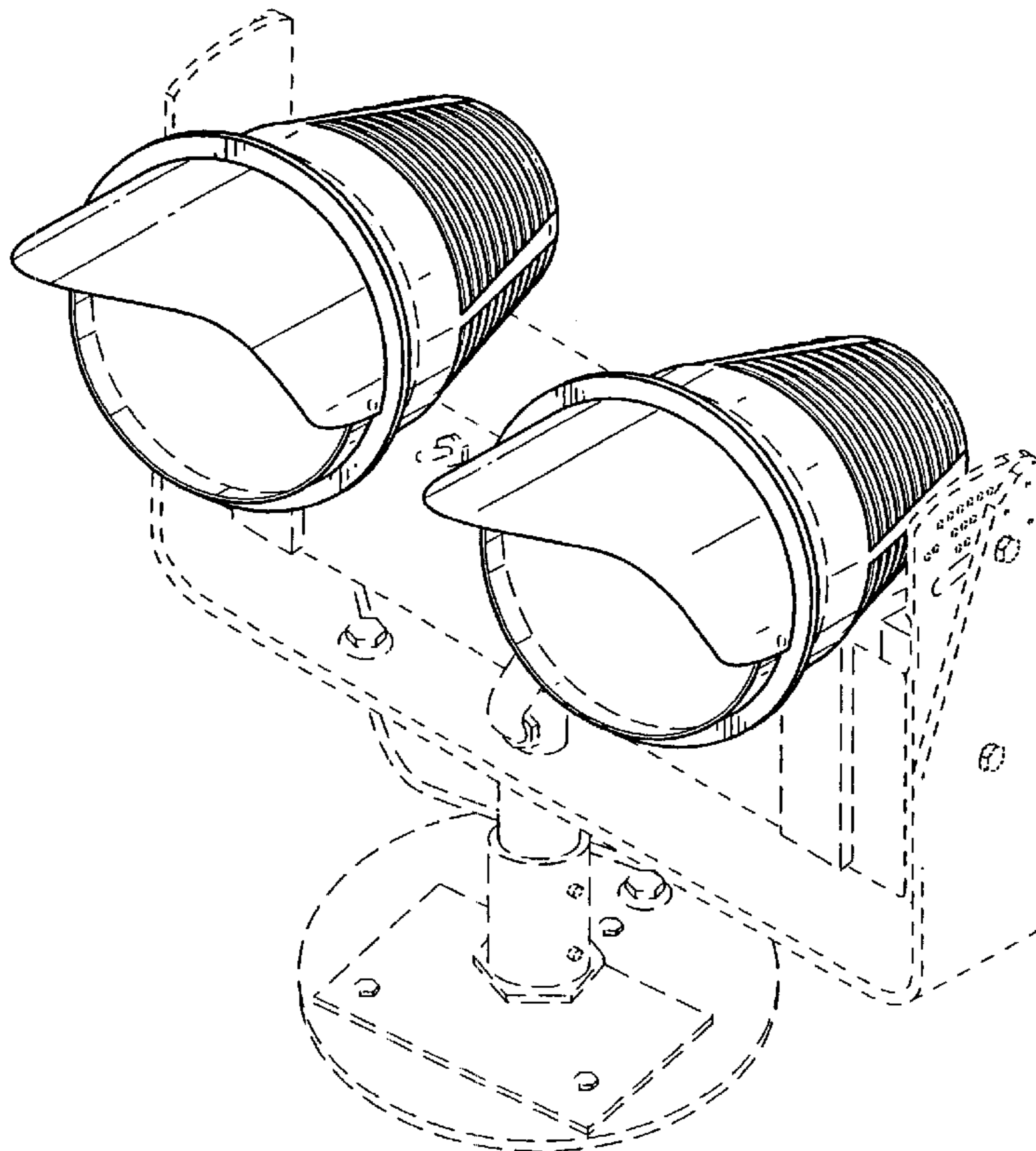
FIG. 7 is a left side plan view of the embodiment shown in FIG. 1.

(56) **References Cited**

U.S. PATENT DOCUMENTS

D322,862 S * 12/1991 Miller D26/63

1 Claim, 4 Drawing Sheets



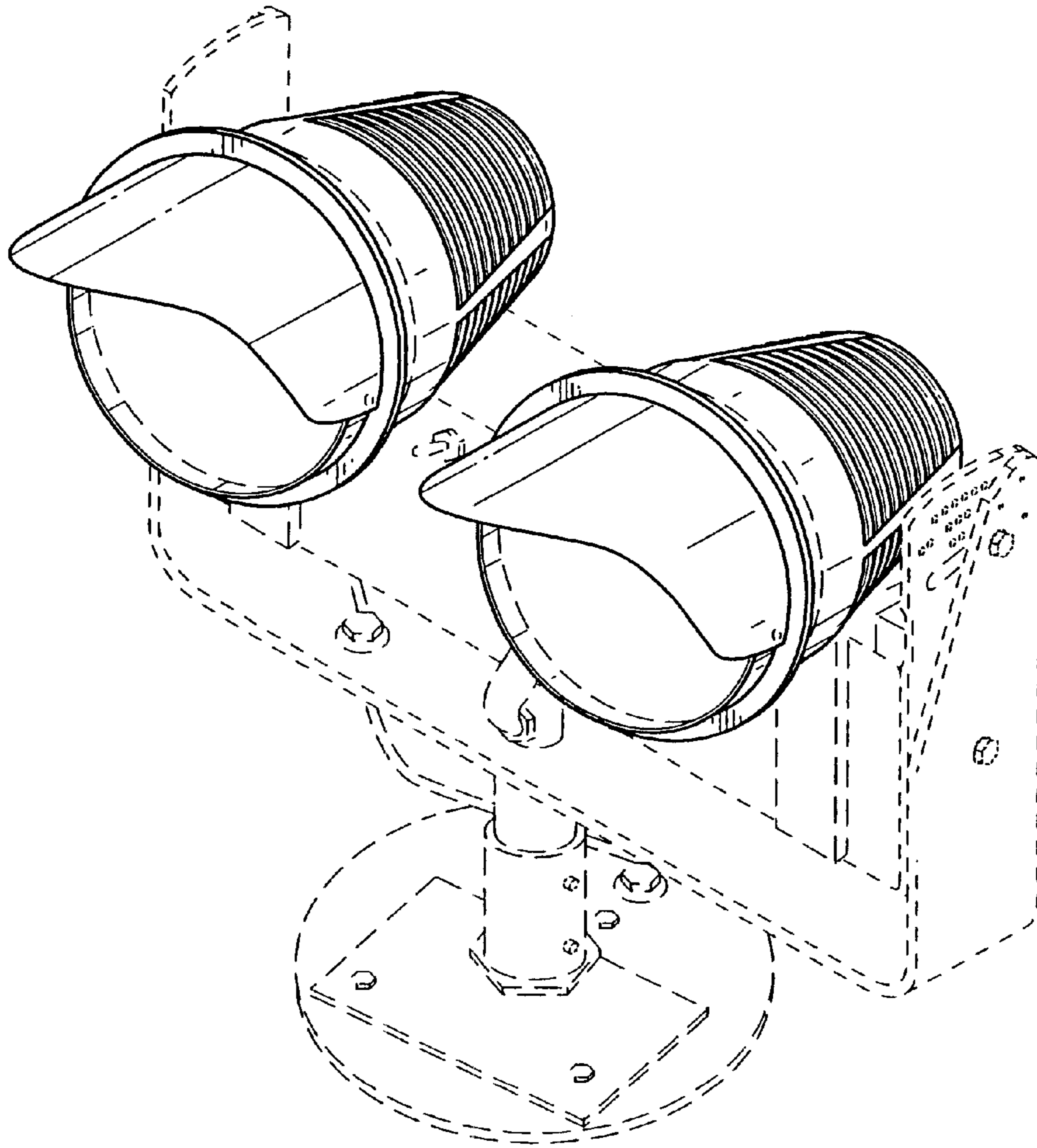


FIG.1

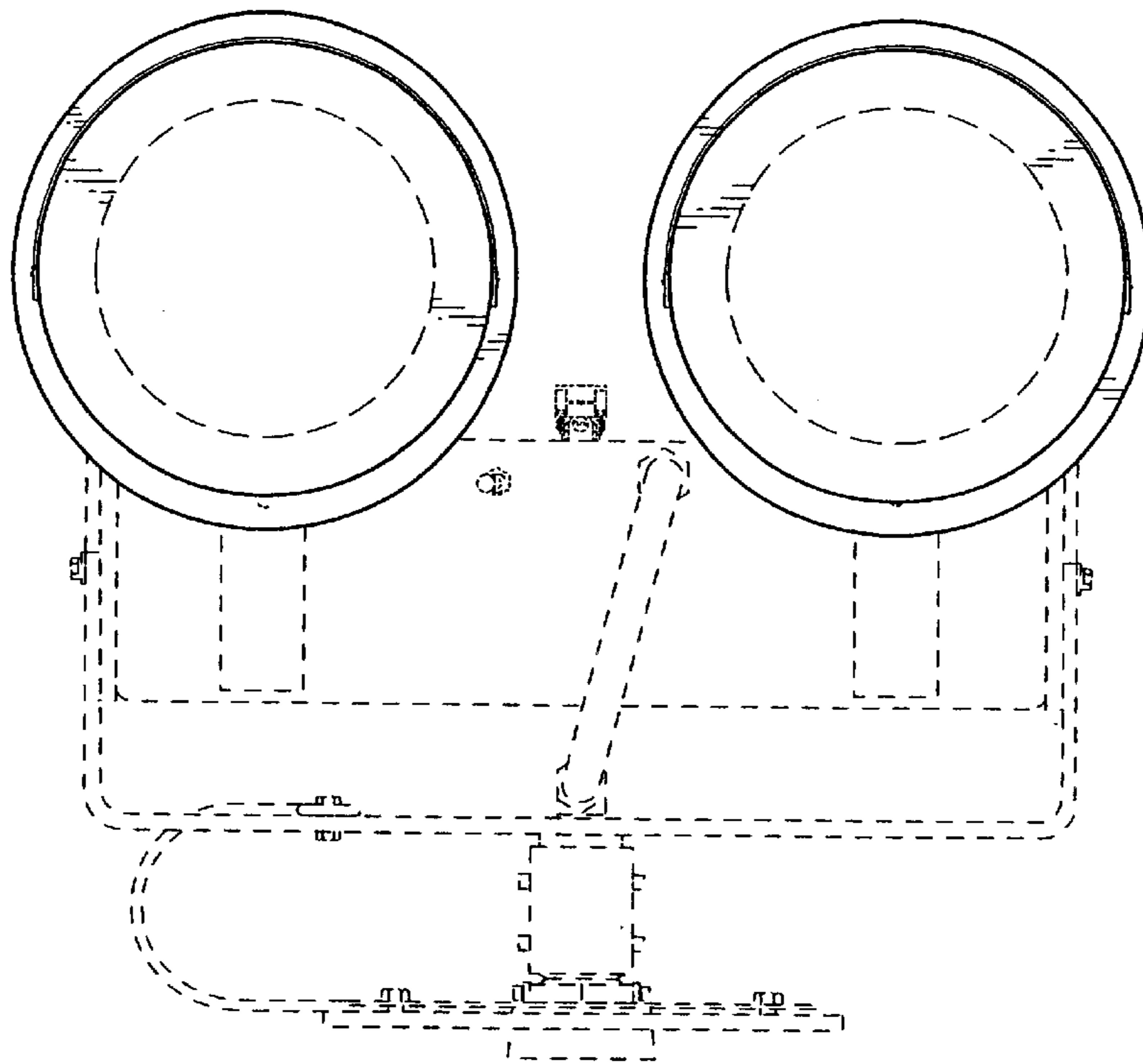


FIG. 2

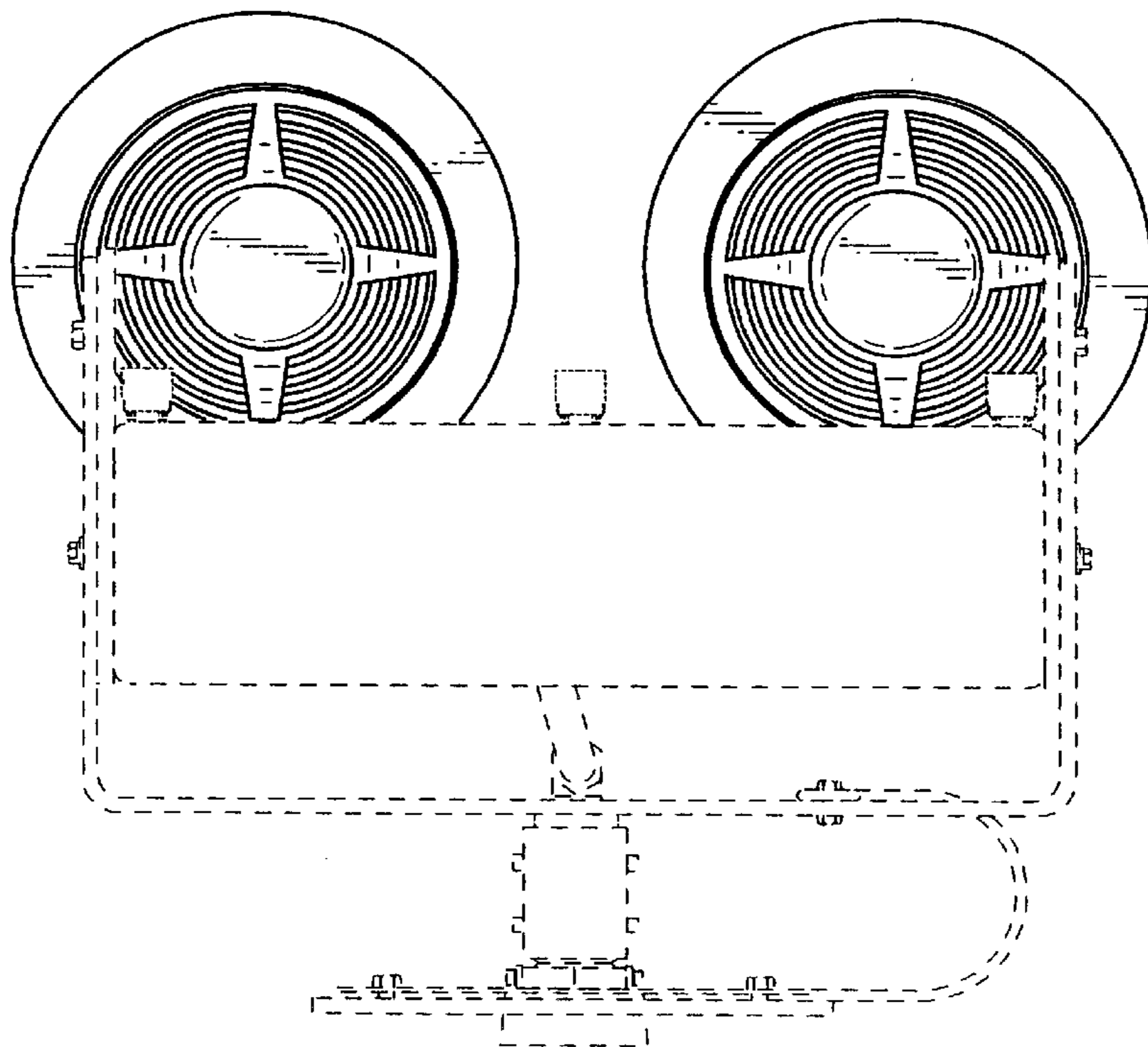


FIG. 3

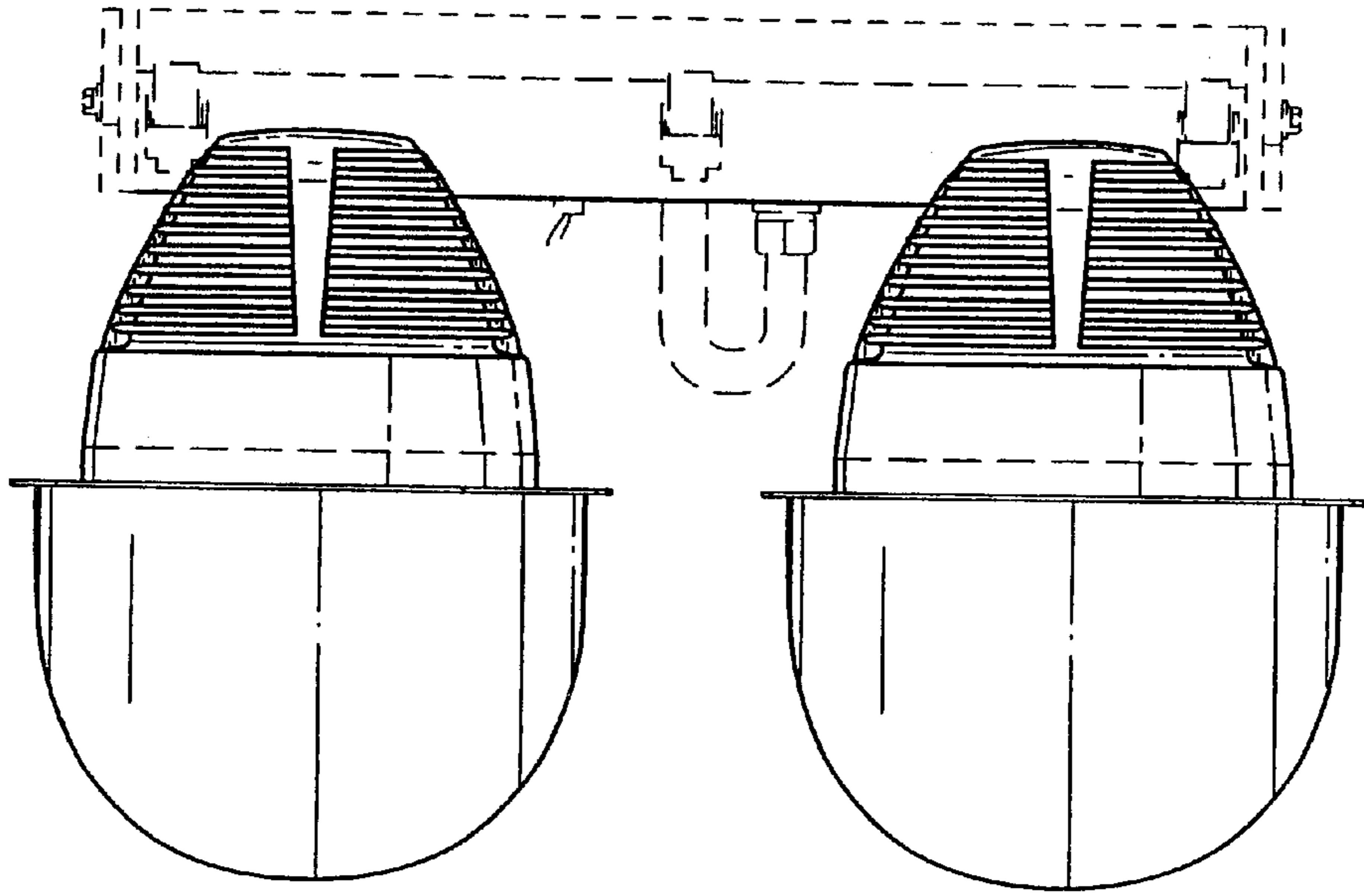


FIG. 4

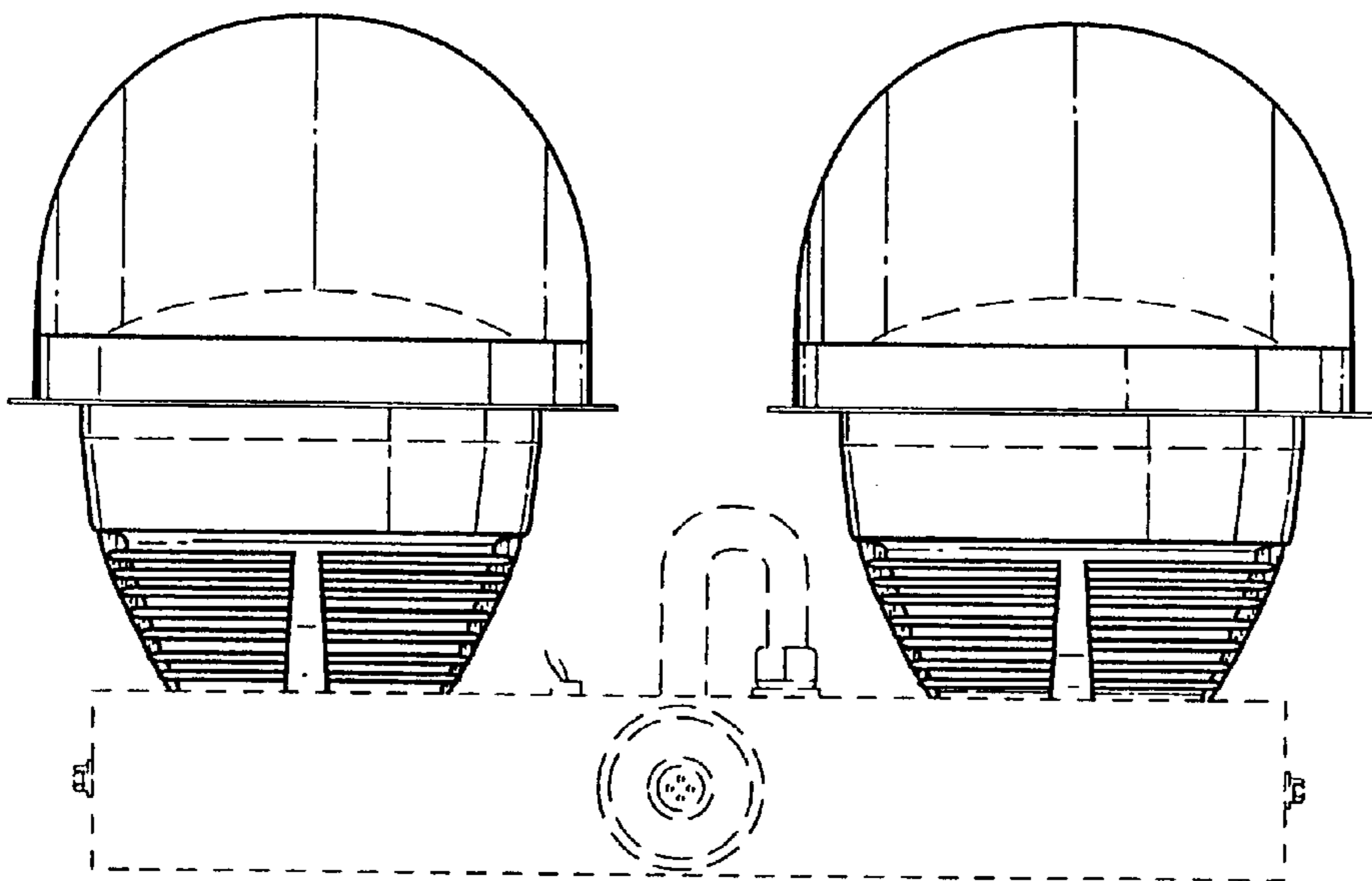


FIG. 5

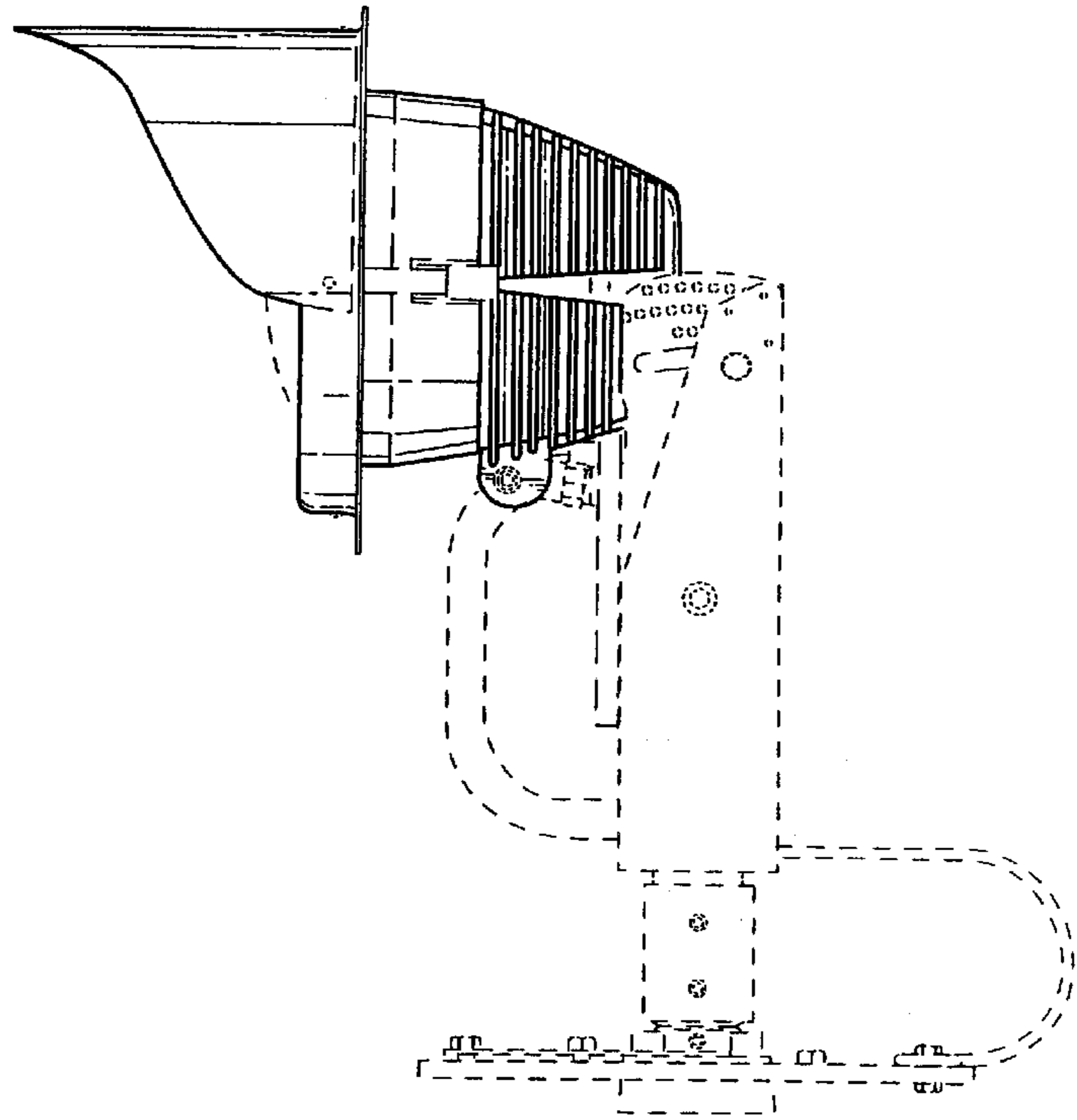


FIG. 6

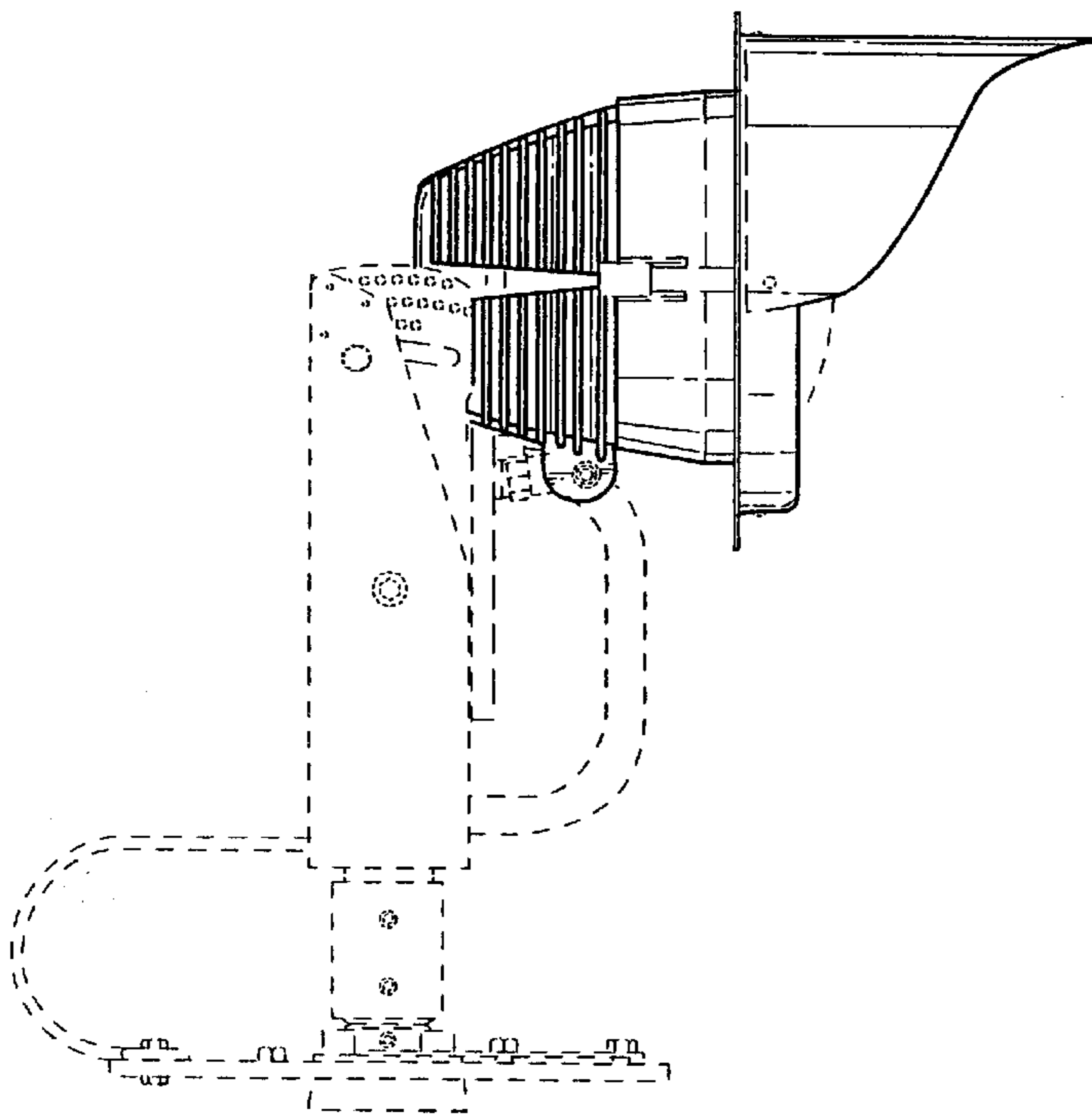


FIG. 7