



US00D475643S

(12) **United States Design Patent**
Chang

(10) **Patent No.:** **US D475,643 S**

(45) **Date of Patent:** **** Jun. 10, 2003**

(54) **MAGNETIC COMPASS**

(76) Inventor: **Gin-Sung Chang**, No. 15, Lane 385,
Kuang Ming Rd., Wu Jih Hsiang,
Taichug Hsien (TW)

(**) Term: **14 Years**

(21) Appl. No.: **29/164,469**

(22) Filed: **Jul. 26, 2002**

(51) **LOC (7) Cl.** **10-04**

(52) **U.S. Cl.** **D10/68**

(58) **Field of Search** D10/68; 33/348,
33/355 R, 355 D, 361-365

(56) **References Cited**

U.S. PATENT DOCUMENTS

4,899,453 A	*	2/1990	Bhat et al.	33/348
D349,066 S	*	7/1994	Su	D10/68
D369,982 S	*	5/1996	Chang	D10/68
6,145,209 A	*	11/2000	Chang	33/348

* cited by examiner

Primary Examiner—Antoine Duval Davis
(74) *Attorney, Agent, or Firm*—Bacon & Thomas, PLLC

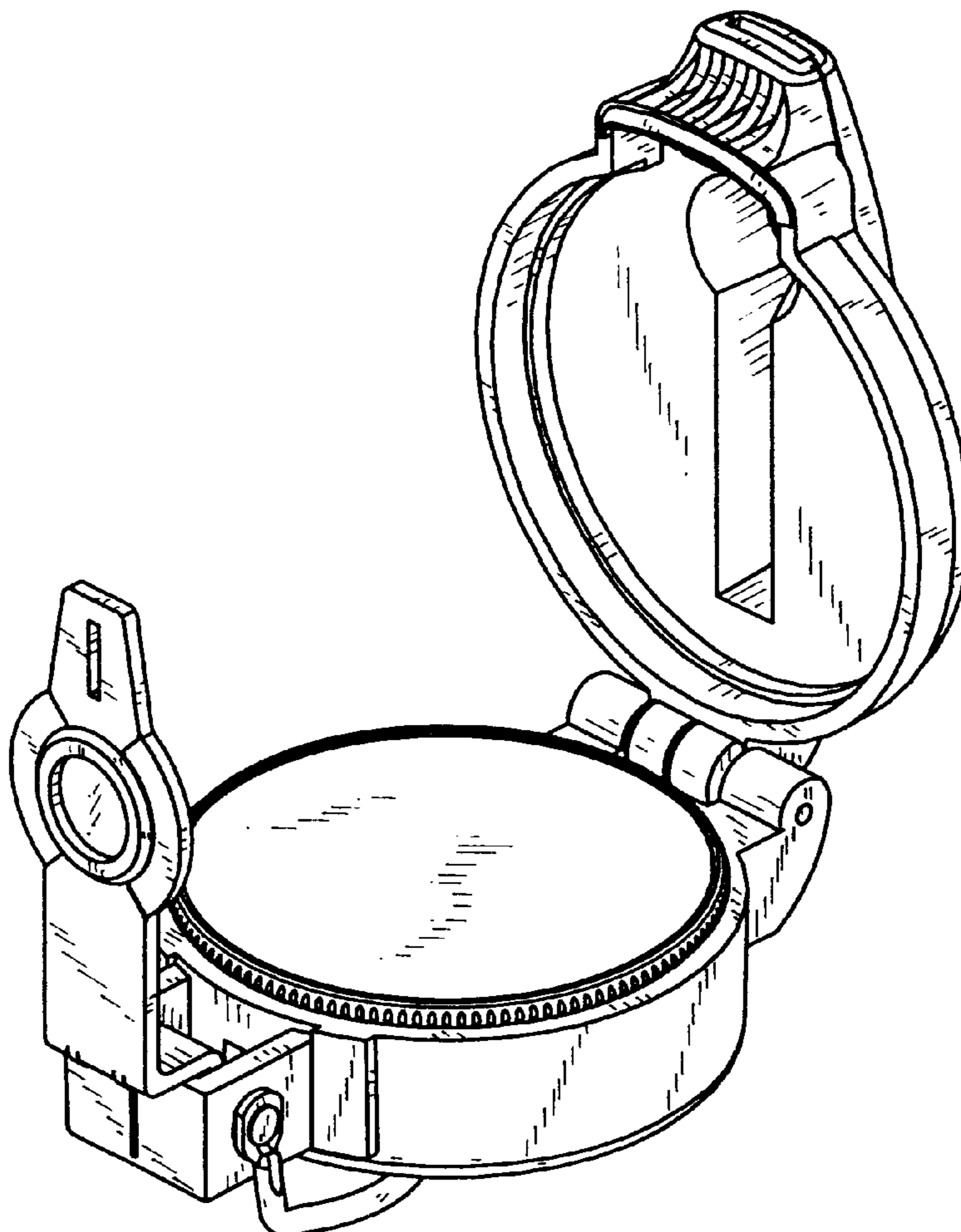
(57) **CLAIM**

The ornamental design for a “magnetic compass,” as shown.

DESCRIPTION

FIG. 1 shows a perspective view of the present design.
 FIG. 2 shows a right side elevational view of the present design.
 FIG. 3 shows a top plan view of the present design.
 FIG. 4 shows a front elevational view of the present design.
 FIG. 5 shows a bottom plan view of the present design.
 FIG. 6 shows a left side elevational view of the present design.
 FIG. 7 shows a rear elevational view of the present design; and,
 FIG. 8 shows a perspective view of present invention when the magnetic compass is in use.

1 Claim, 3 Drawing Sheets



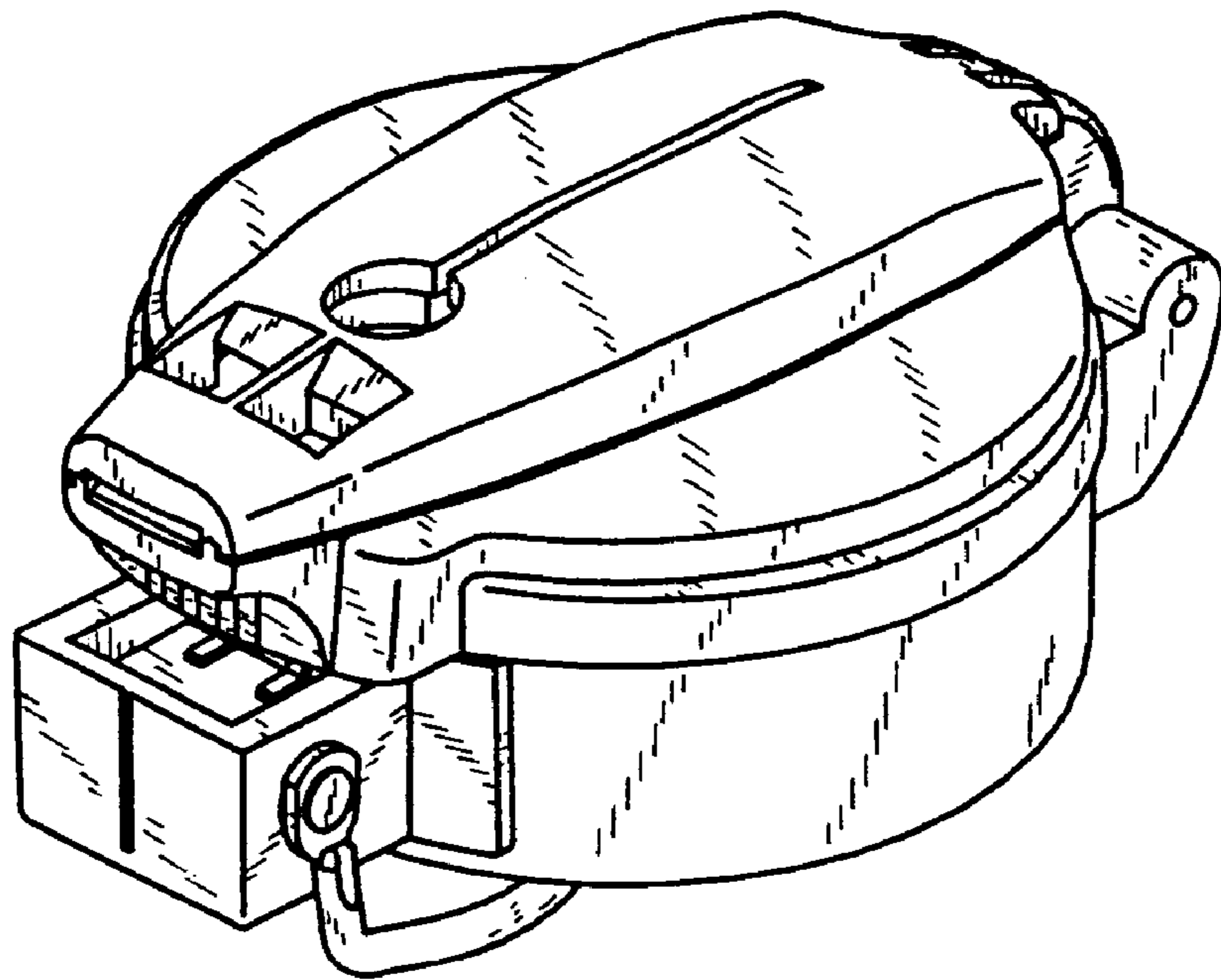


FIG. 1

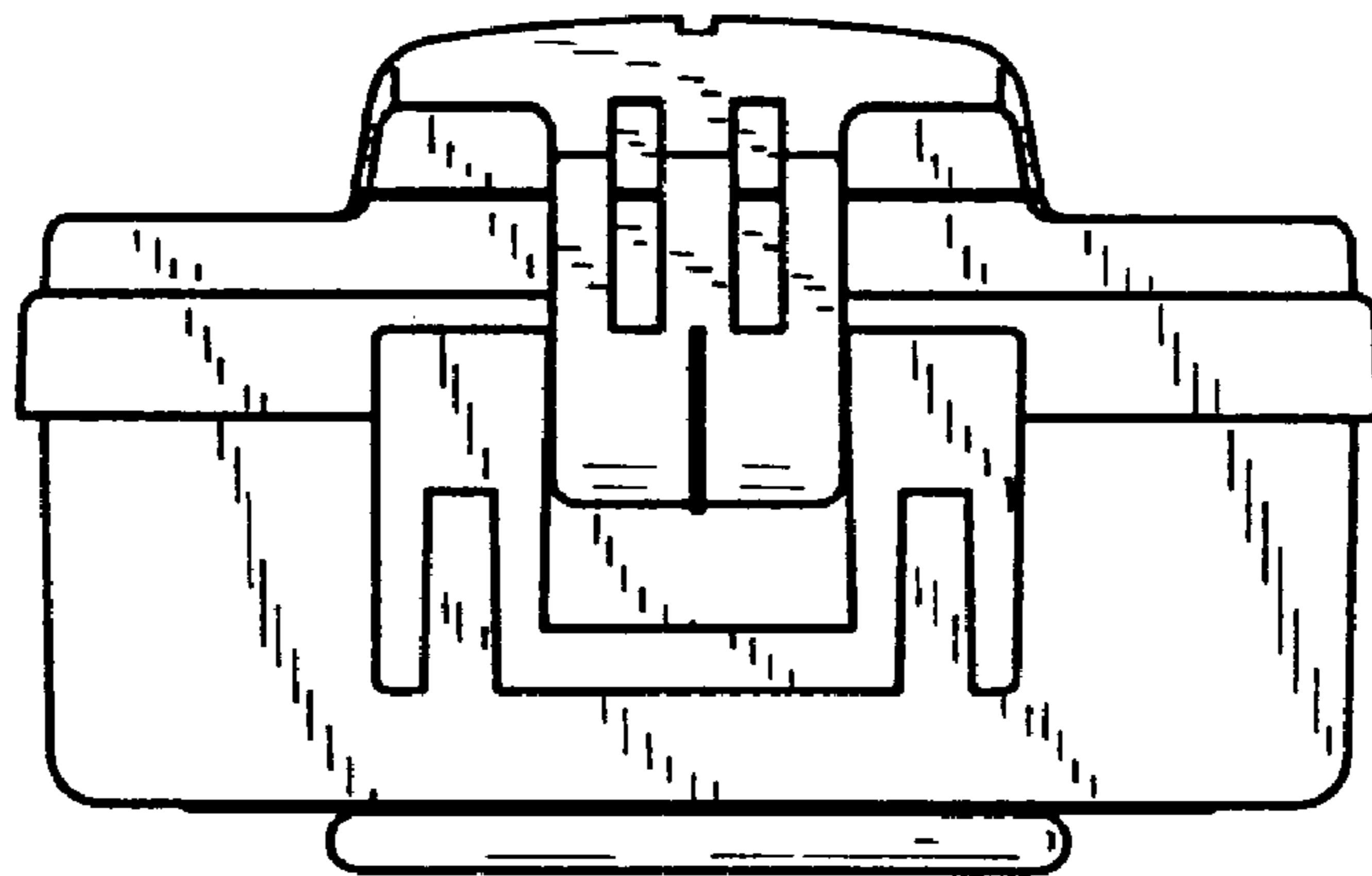


FIG. 2

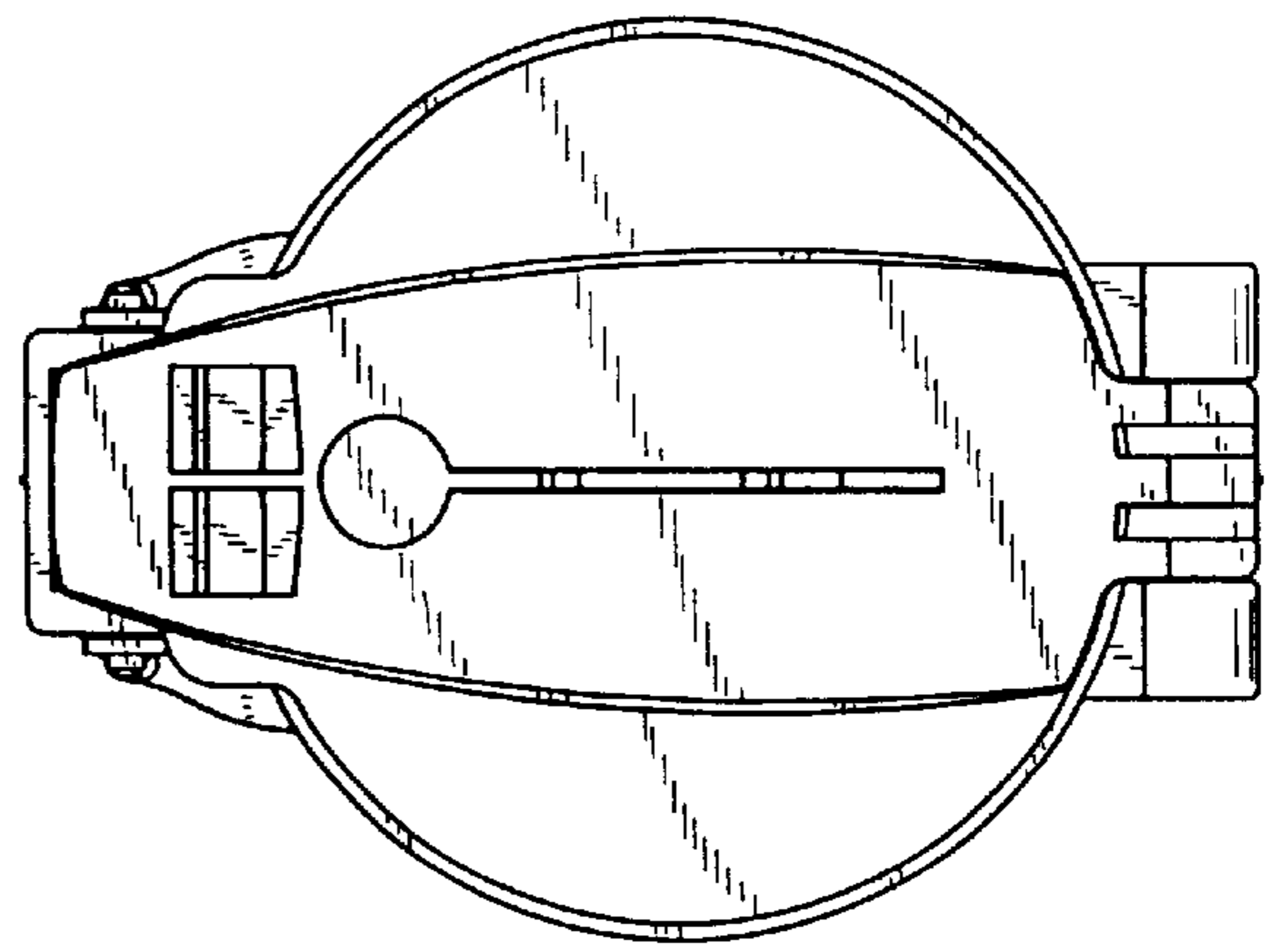


FIG. 3

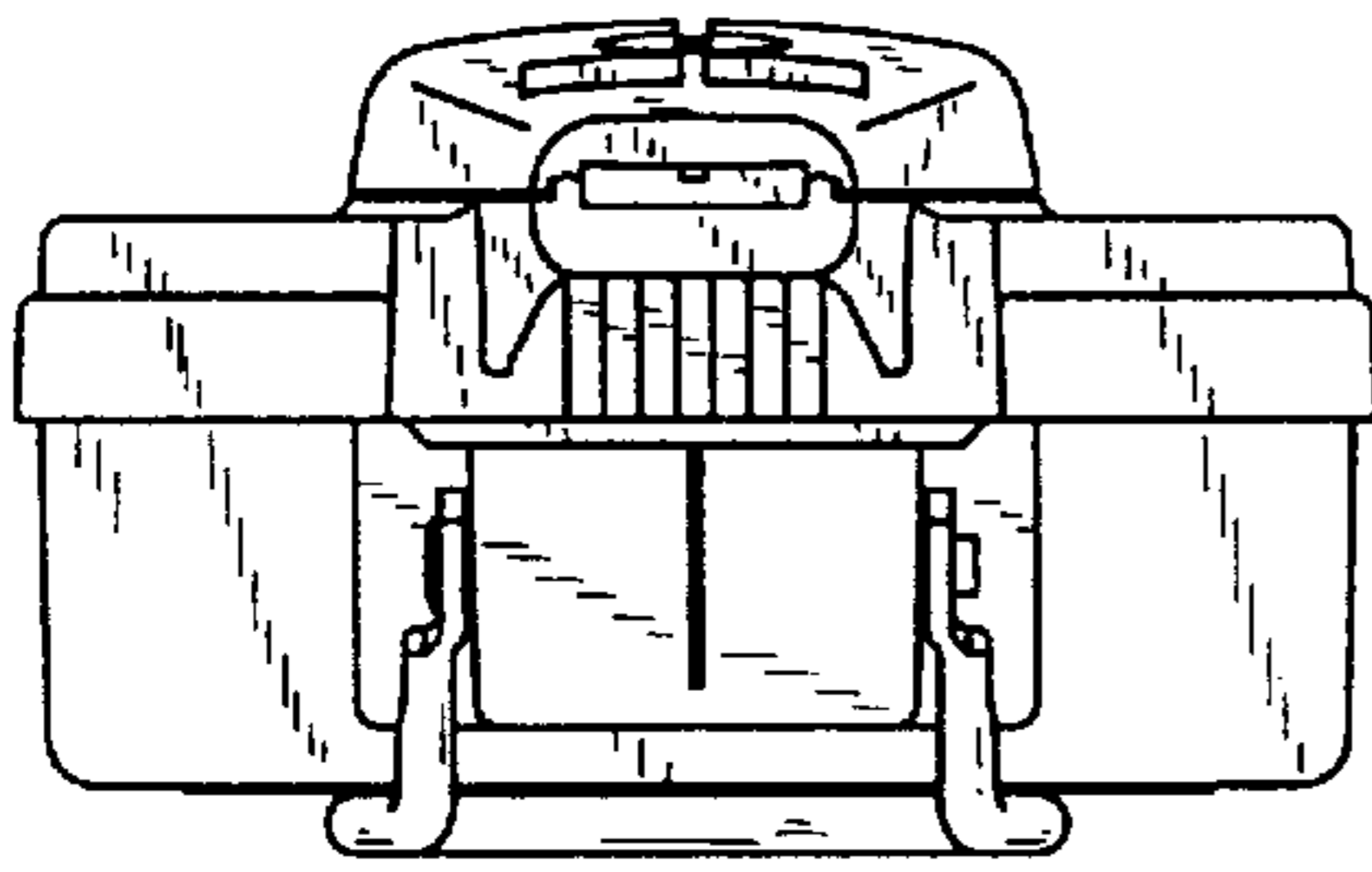


FIG. 6

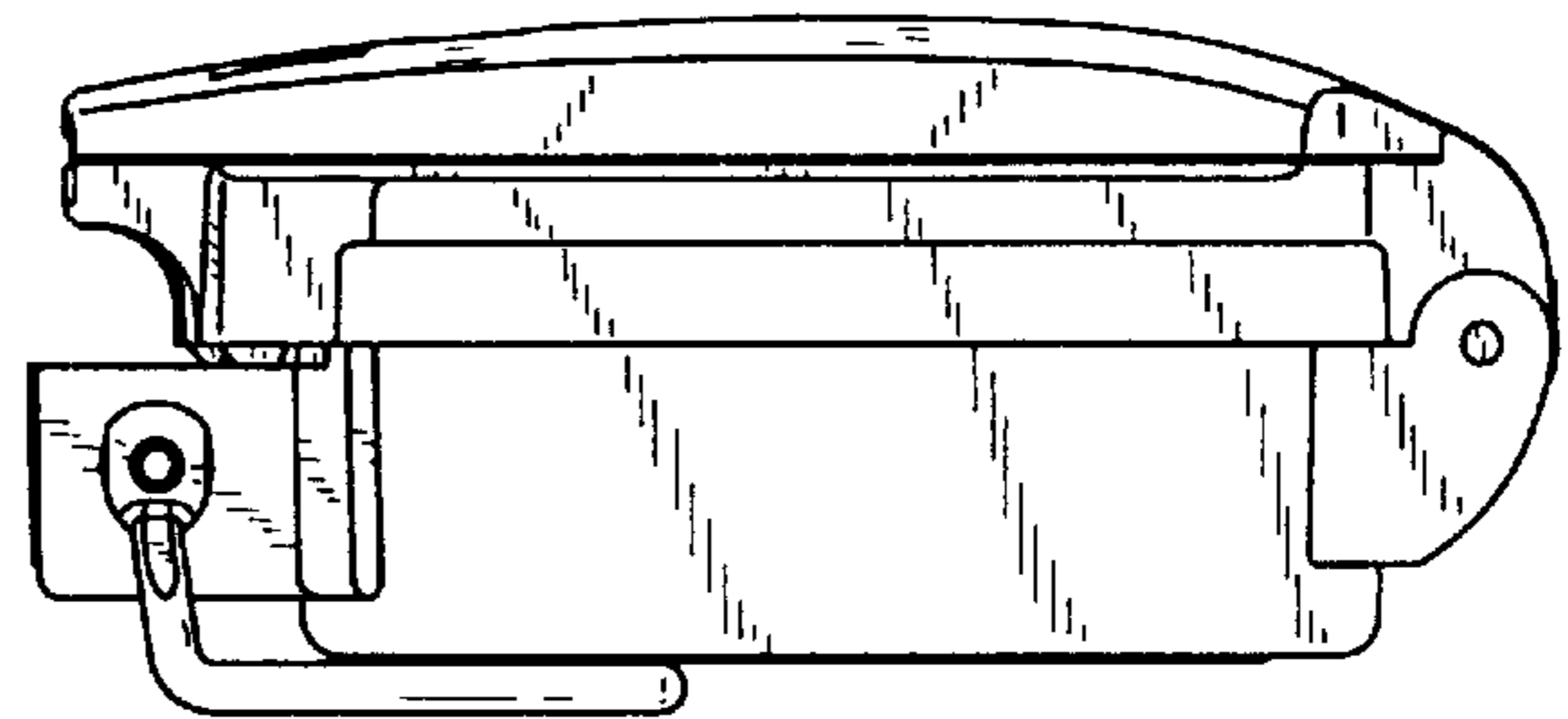


FIG. 4

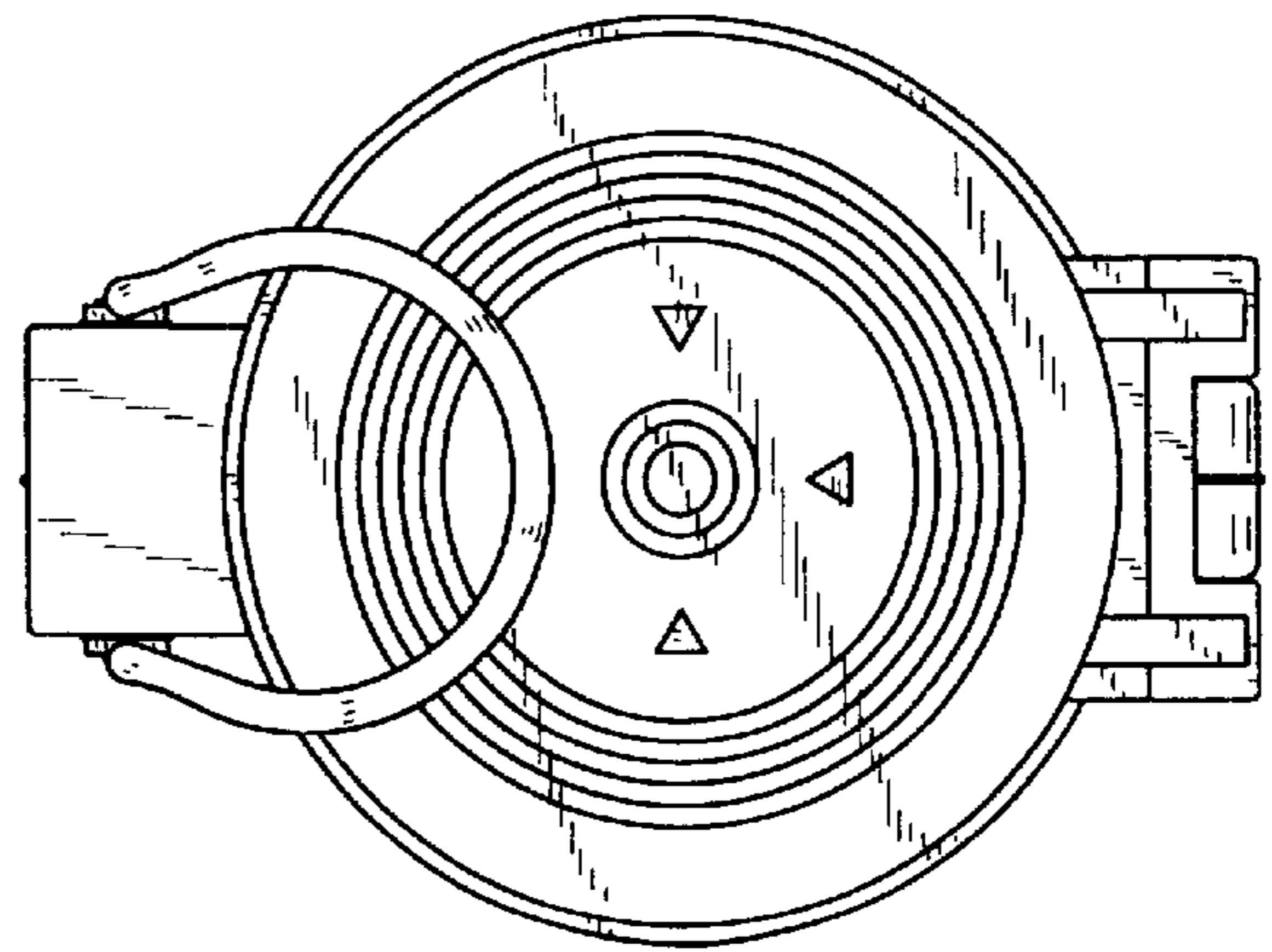


FIG. 5

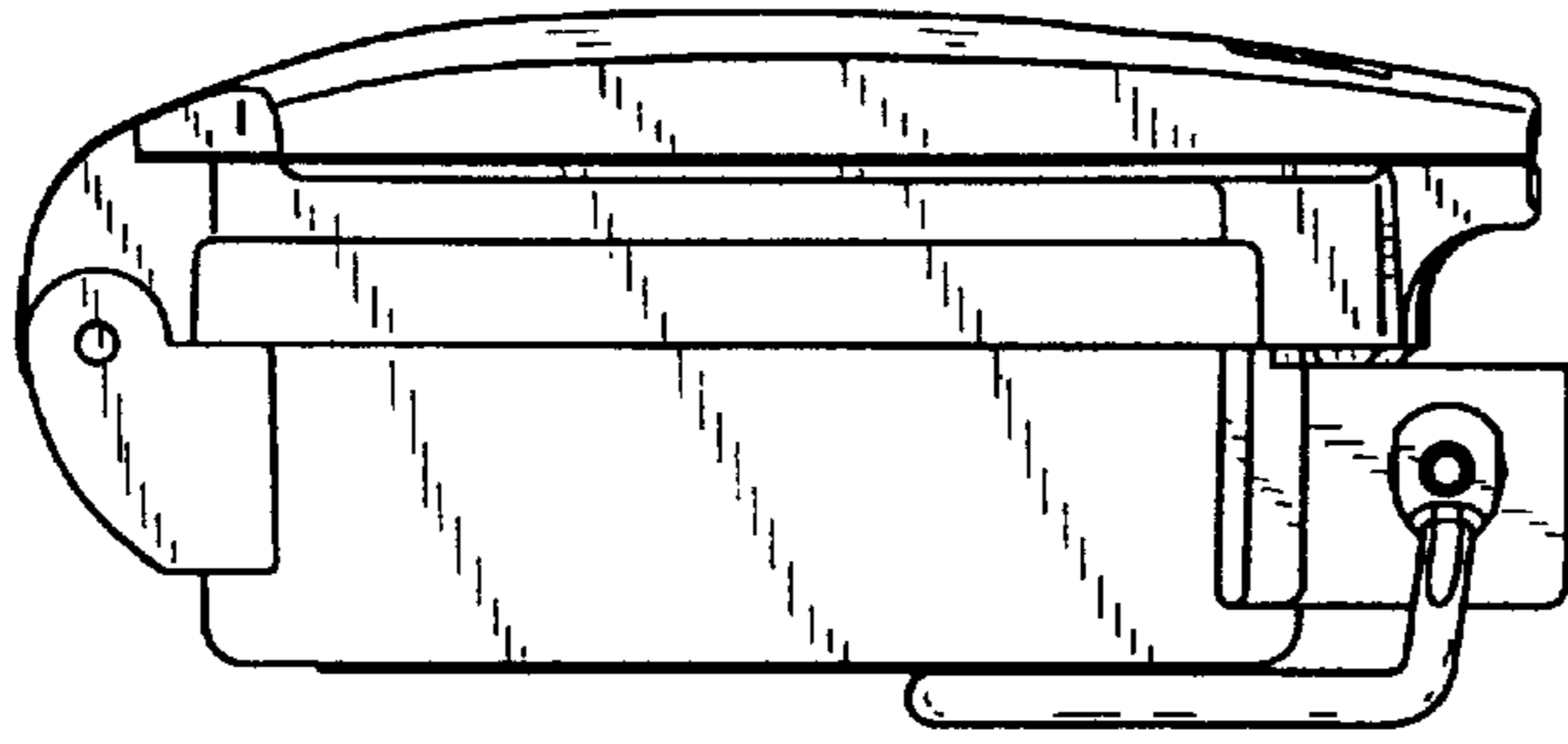


FIG. 7

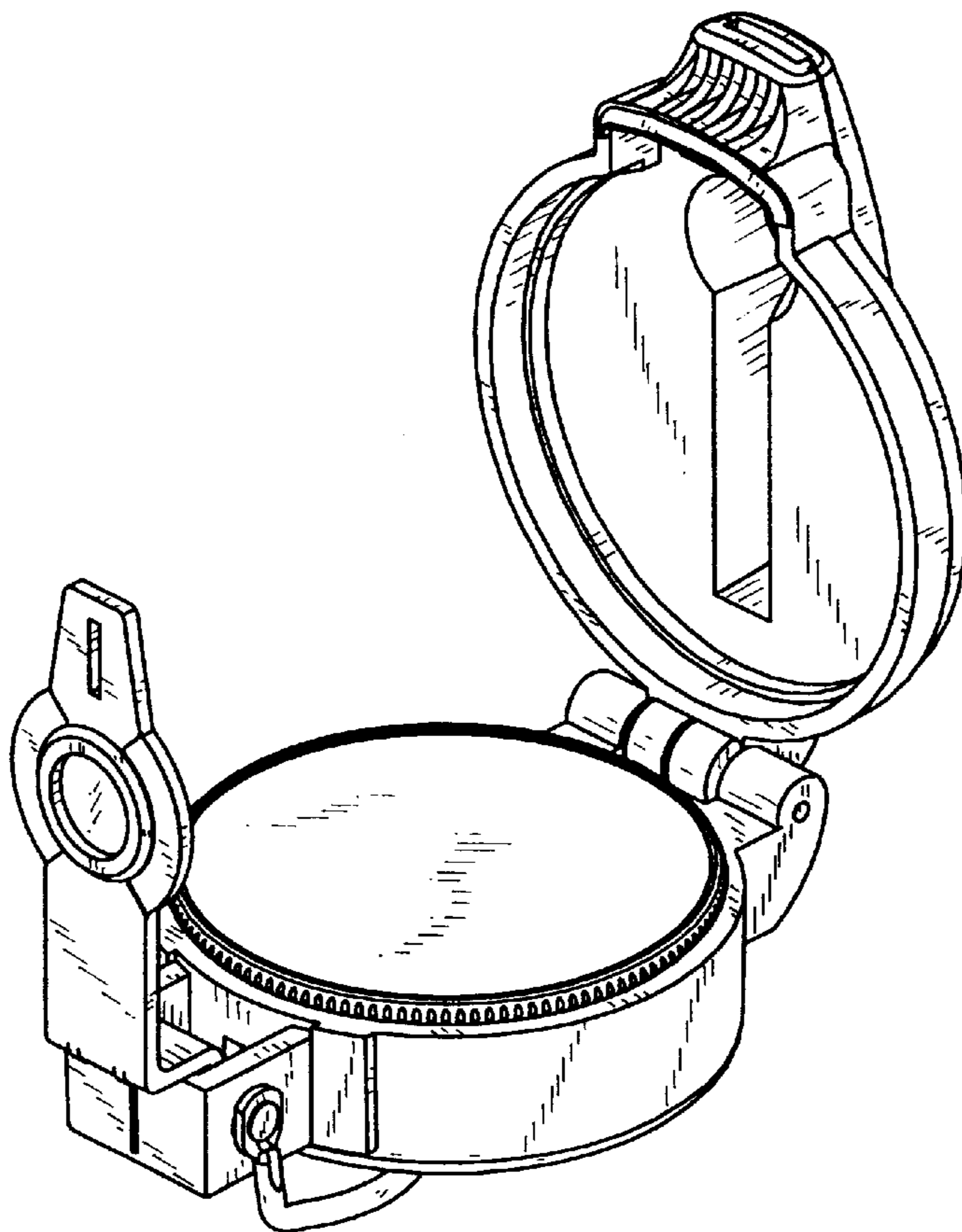


FIG. 8