



US00D475641S

(12) **United States Design Patent**
Glasson

(10) **Patent No.:** **US D475,641 S**

(45) **Date of Patent:** **** Jun. 10, 2003**

(54) **SENSOR FOR INTERNAL MOUNTING IN A CYLINDER**

(75) **Inventor:** **Richard O. Glasson**, Whippany, NJ (US)

(73) **Assignee:** **Control Products Inc.**, East Hanover, NJ (US)

(**) **Term:** **14 Years**

(21) **Appl. No.:** **29/158,901**

(22) **Filed:** **Apr. 11, 2002**

(51) **LOC (7) Cl.** **10-04**

(52) **U.S. Cl.** **D10/65**

(58) **Field of Search** D10/65; 92/5 R, 92/1

(56) **References Cited**

U.S. PATENT DOCUMENTS

4,003,690 A * 1/1977 Magnollay 425/190 X

* cited by examiner

Primary Examiner—Antoine Duval Davis
(74) *Attorney, Agent, or Firm*—Gibbons, Del Deo, Dolan, Griffinger & Vecchione

(57) **CLAIM**

The ornamental design for a sensor for internal mounting in a cylinder, as shown and described.

DESCRIPTION

This application is related to U.S. Design Application No. 29/157,535 entitled "Sensor for Internal Mounting in a Cylinder" filed concurrently, having the same inventor and assignee as the present application.

FIG. 1 is a perspective view of the sensor, as seen from above and to the right;

FIG. 2 is a front view of the sensor;

FIG. 3 is a back view of the sensor;

FIG. 4 is a right side view of the sensor, the left side view being a mirror image;

FIG. 5 is a top view of the sensor; and,

FIG. 6 is a bottom view of the sensor.

The broken line showing is for illustrative purposes only and forms no part of the claimed design.

1 Claim, 3 Drawing Sheets

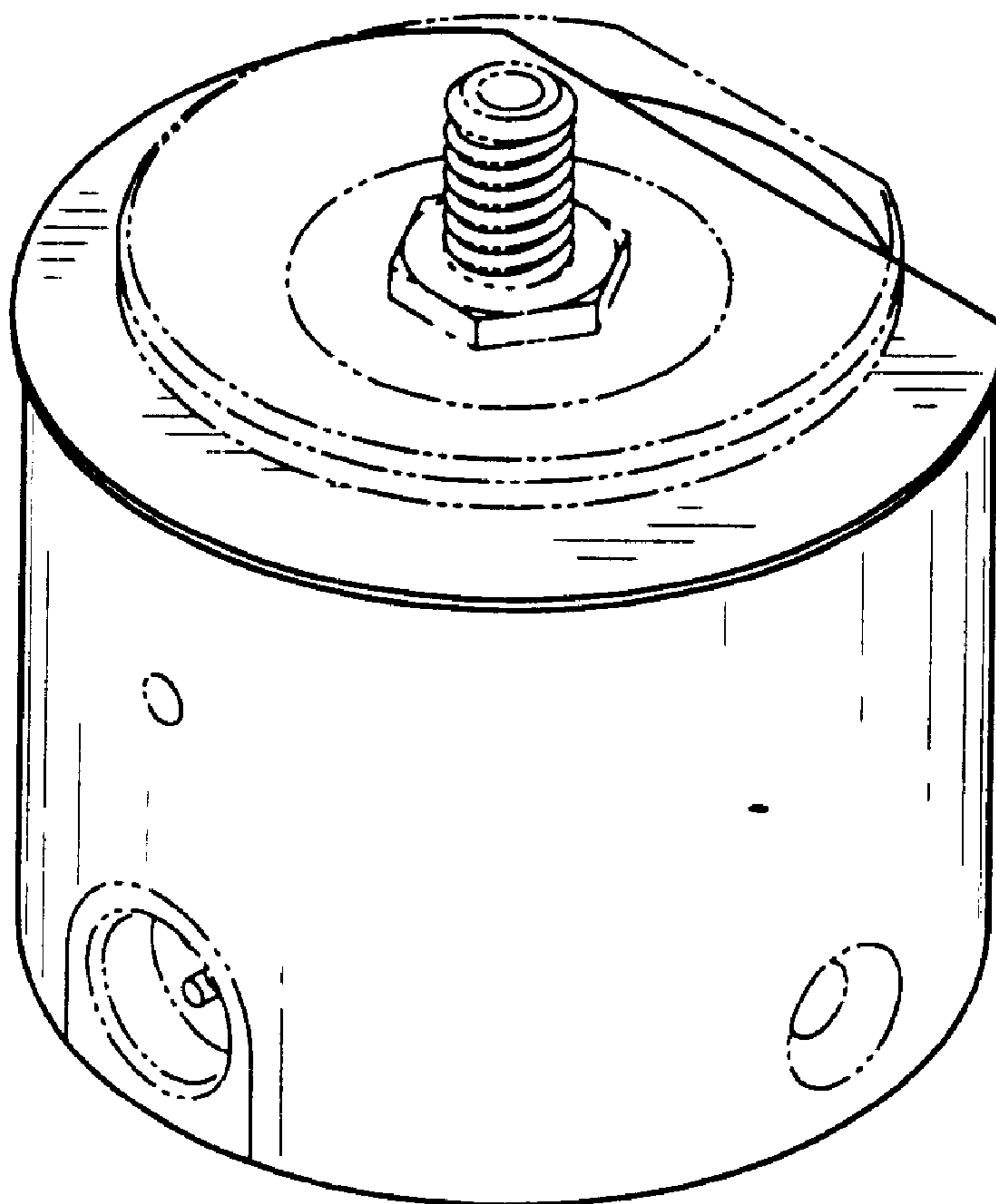


FIG. 1

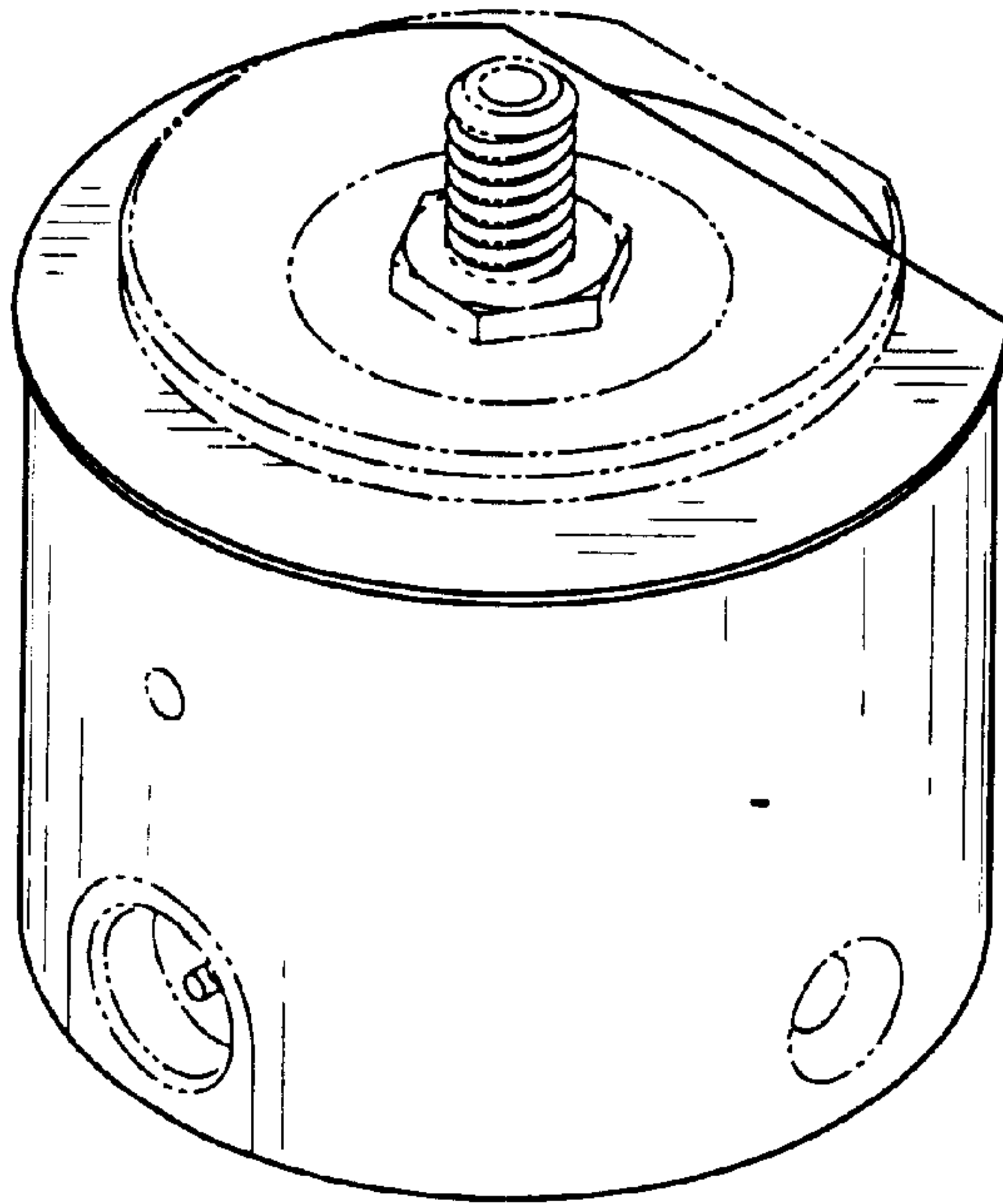


FIG. 2

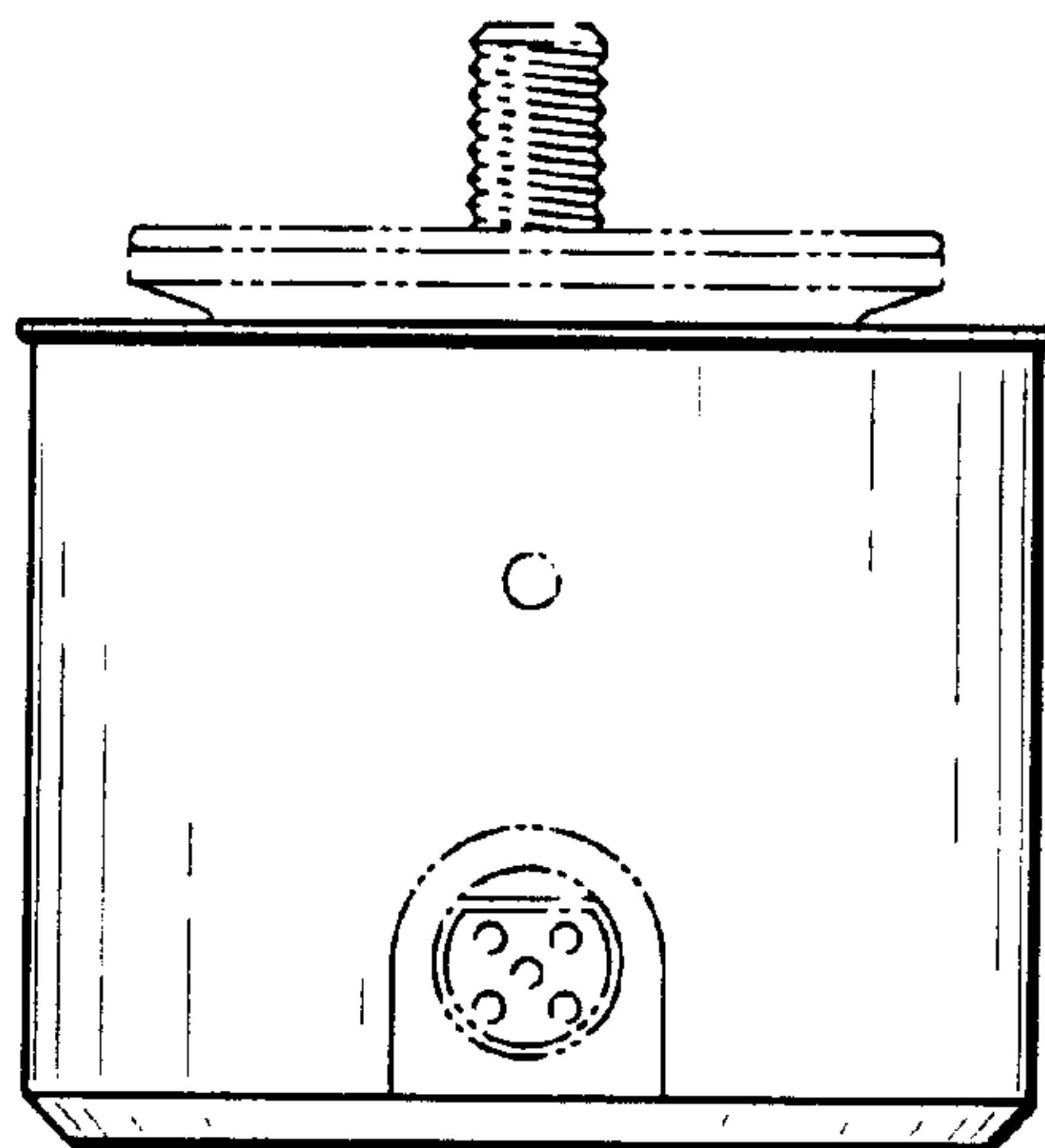


FIG. 3

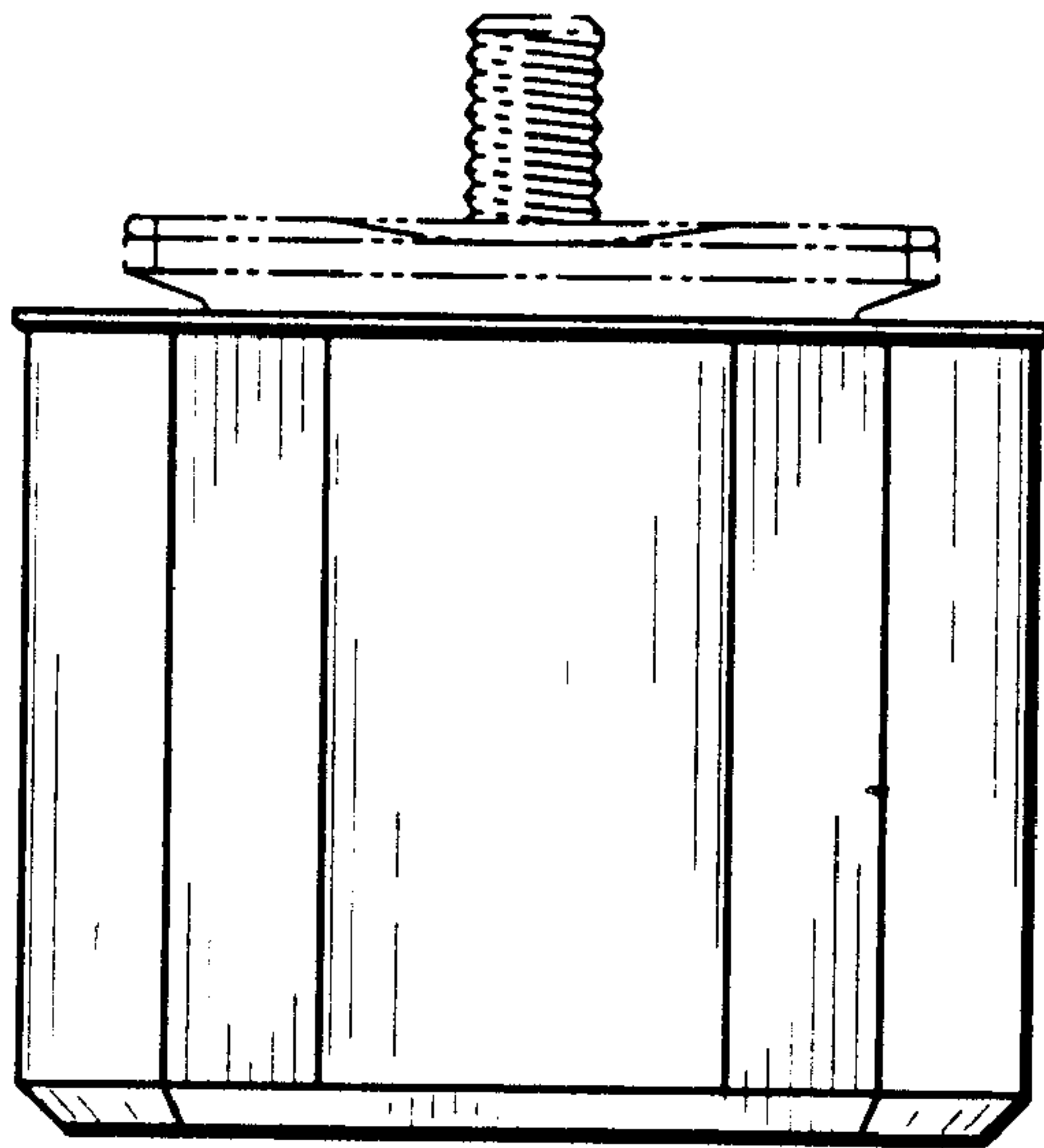


FIG. 4

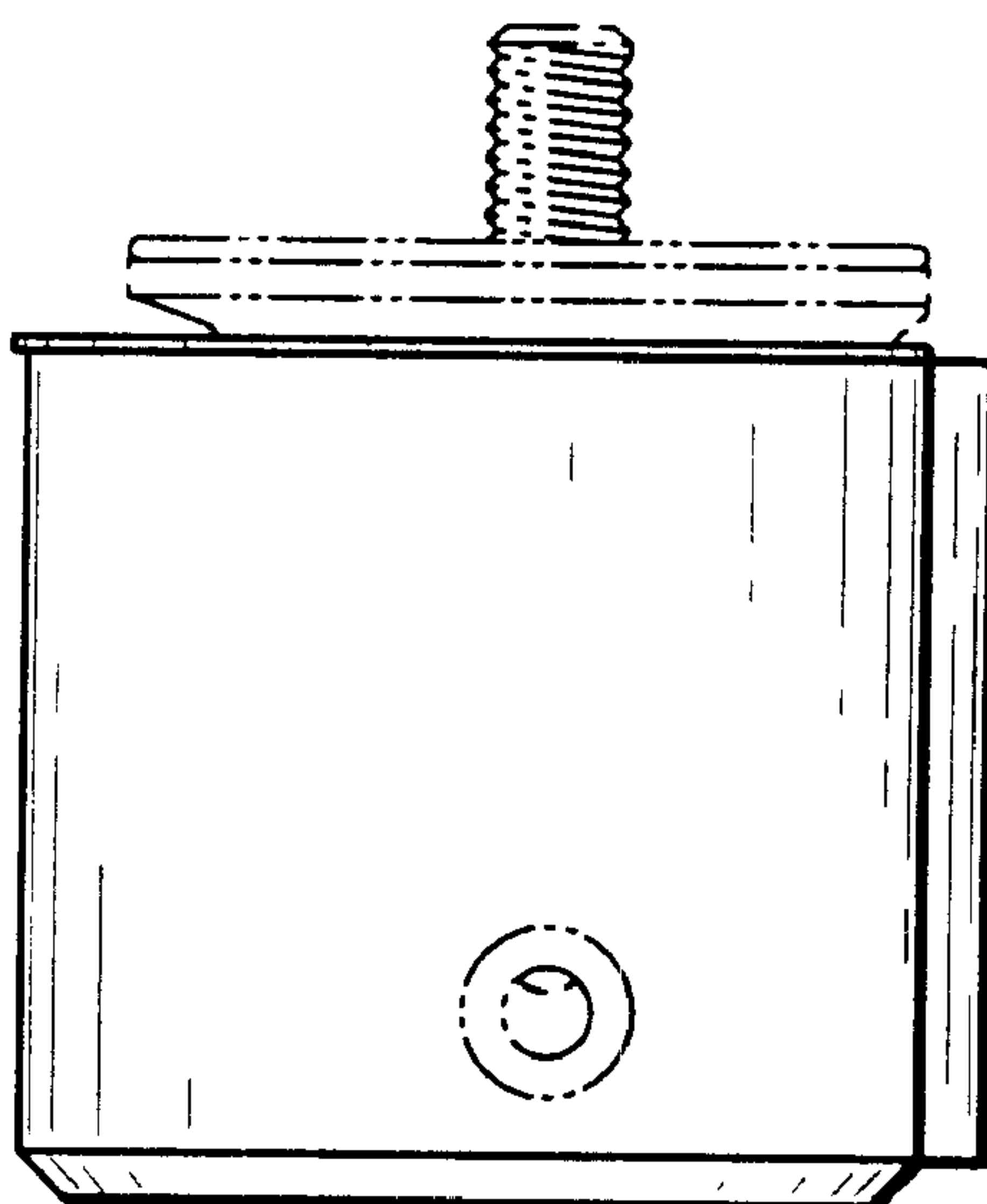


FIG. 5

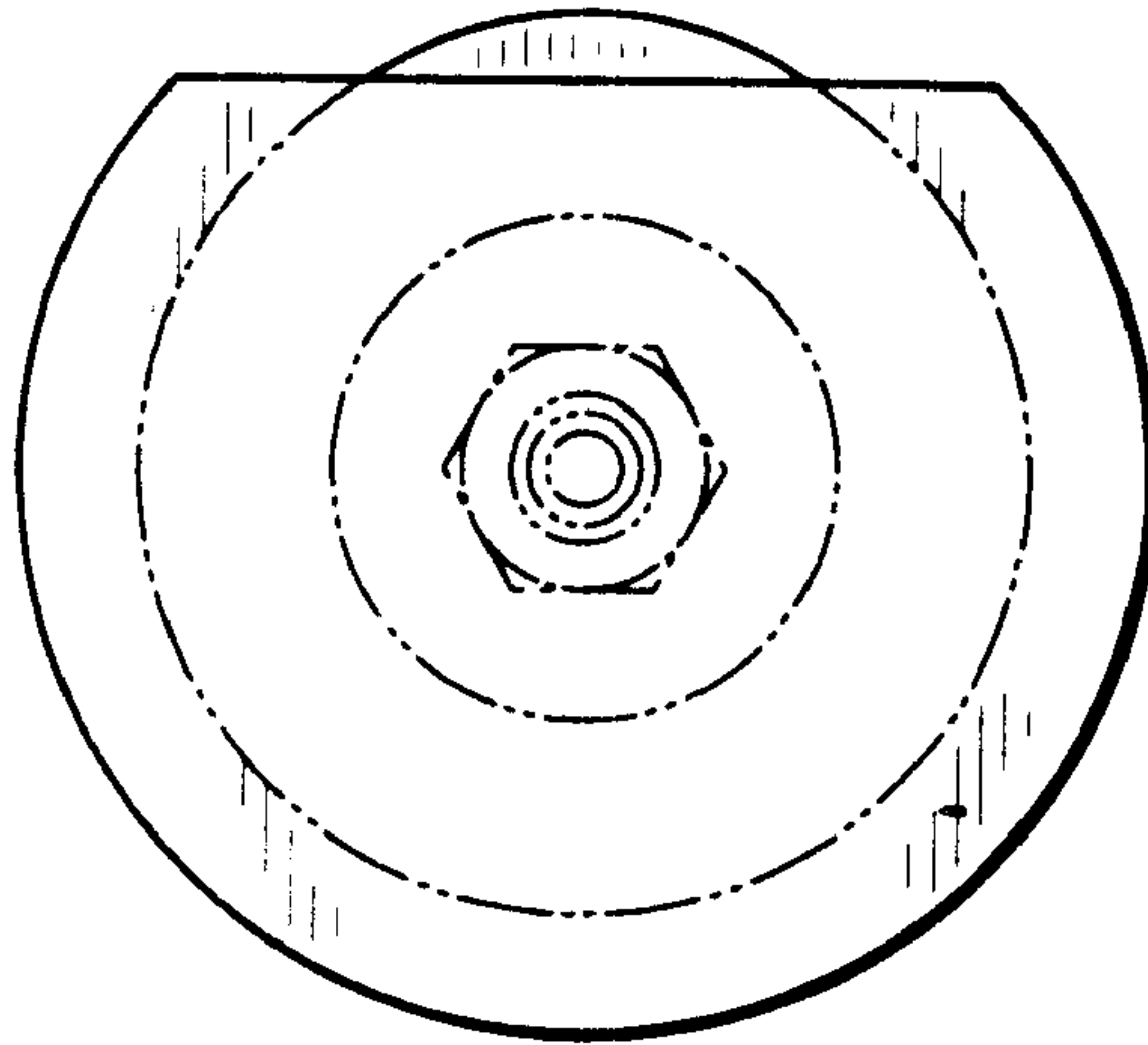


FIG. 6

