



US00D475639S

(12) **United States Design Patent**  
**Monette et al.**

(10) **Patent No.: US D475,639 S**

(45) **Date of Patent: \*\* Jun. 10, 2003**

(54) **CLIP FOR ELECTRONIC COMPONENT TRAY**

5,048,336 A \* 9/1991 Sugihara et al. .... 73/29.01  
D426,473 S \* 6/2000 Blackburn ..... D10/56

(75) Inventors: **François Monette**, Bromont (CA);  
**André Corriveau**, Bromont (CA);  
**Vincent Dubois**, Canton de Shefford (CA)

\* cited by examiner

*Primary Examiner*—Jennifer Rivard  
(74) *Attorney, Agent, or Firm*—Ogilvy Renault

(73) Assignee: **Cogiscan, Inc.**, Bromont (CA)

(57) **CLAIM**

(\*\*) Term: **14 Years**

The ornamental design for a “clip for electronic component tray”, as shown and described.

(21) Appl. No.: **29/141,989**

**DESCRIPTION**

(22) Filed: **May 17, 2001**

FIG. 1 is a perspective view of the clip for electronic component tray showing our new design;

(30) **Foreign Application Priority Data**

Nov. 17, 2000 (CA) ..... 2000-3072

FIG. 2 is a front elevational view of the clip for electronic component tray;

(51) **LOC (7) Cl.** ..... **10-04**

FIG. 3 is a right side elevational view of the clip for electronic component tray, the opposite view being symmetrical;

(52) **U.S. Cl.** ..... **D10/56; D13/154; D10/80**

(58) **Field of Search** ..... **D10/80, 56; D13/154; 73/73-74, 75, 76, 335.02, 29.01, 29.05**

FIG. 4 is a top plan view of the clip for electronic component tray;

(56) **References Cited**

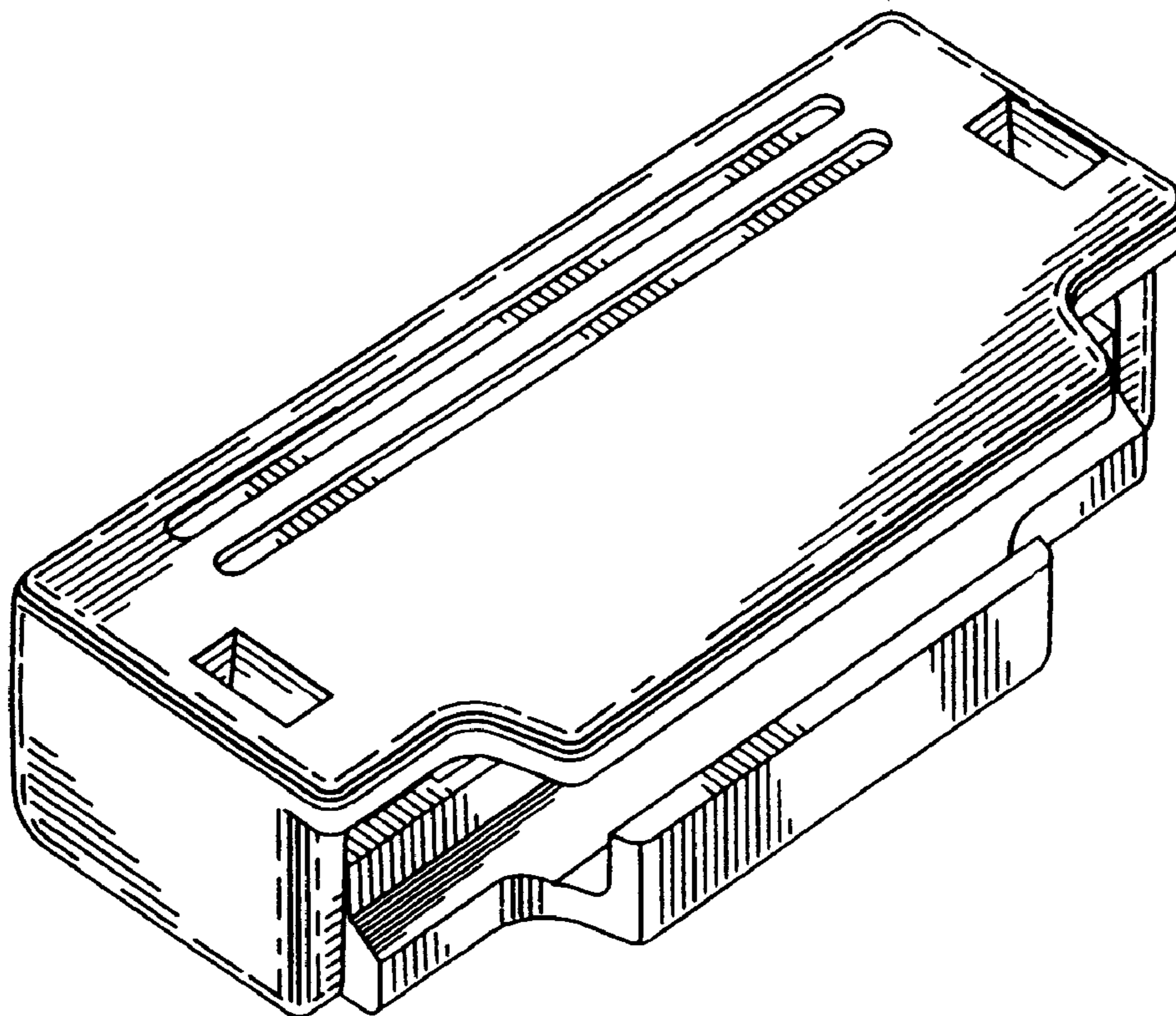
**U.S. PATENT DOCUMENTS**

4,419,889 A \* 12/1983 Muto et al. .... 73/335.02

FIG. 5 is a bottom plan view of the clip for electronic component tray; and,

FIG. 6 is a rear elevational view of the clip for electronic component tray.

**1 Claim, 2 Drawing Sheets**



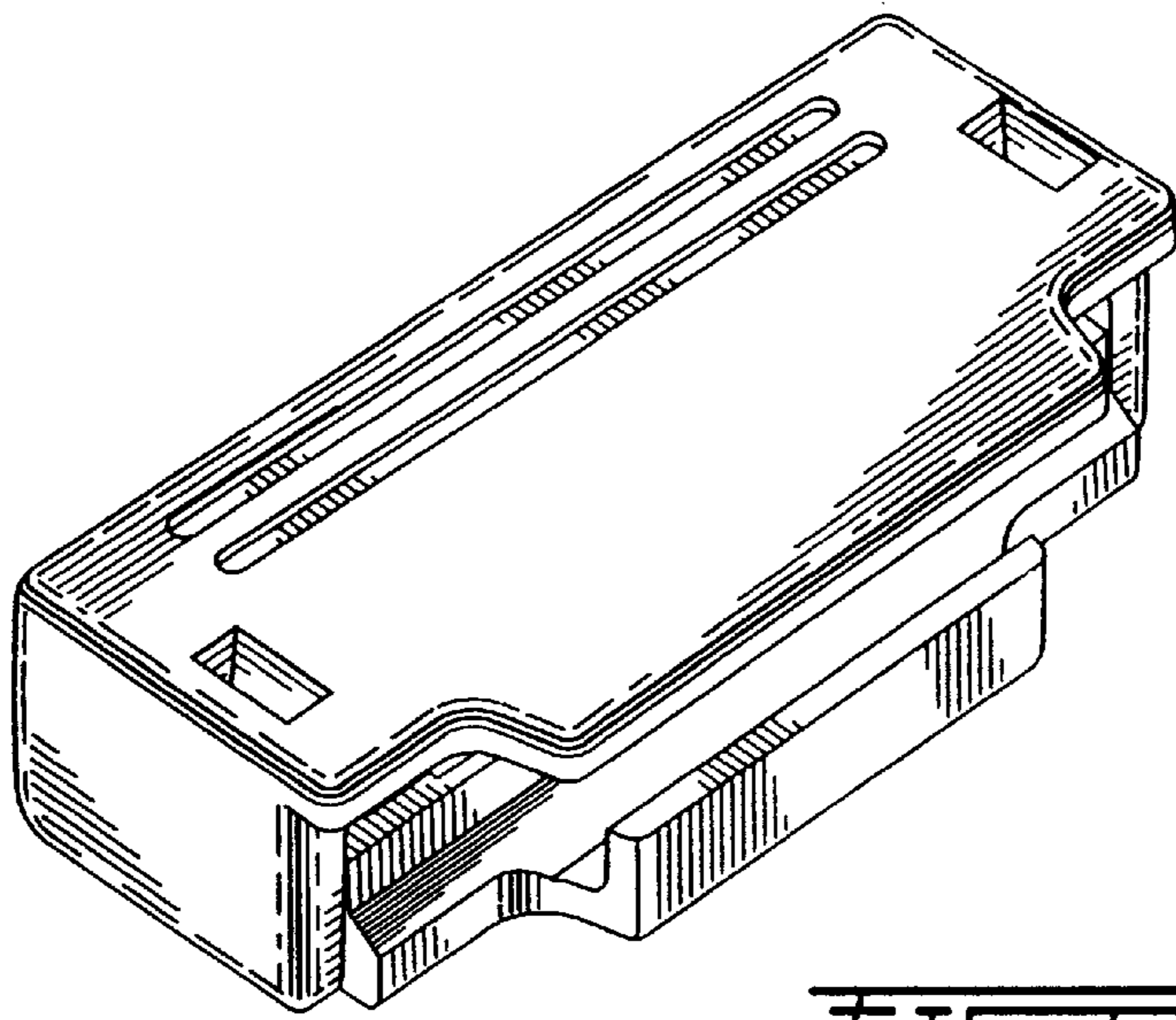


FIG. 1

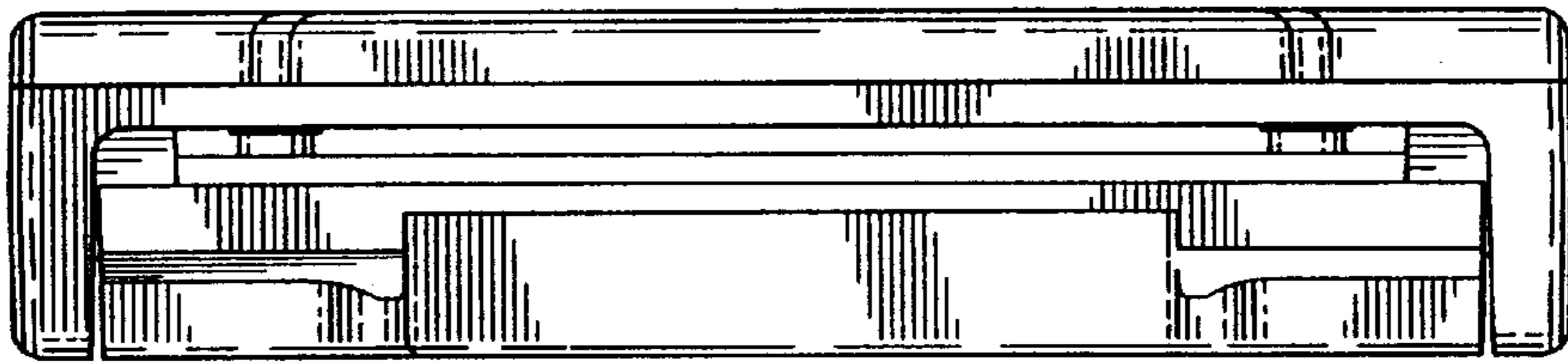


FIG. 2

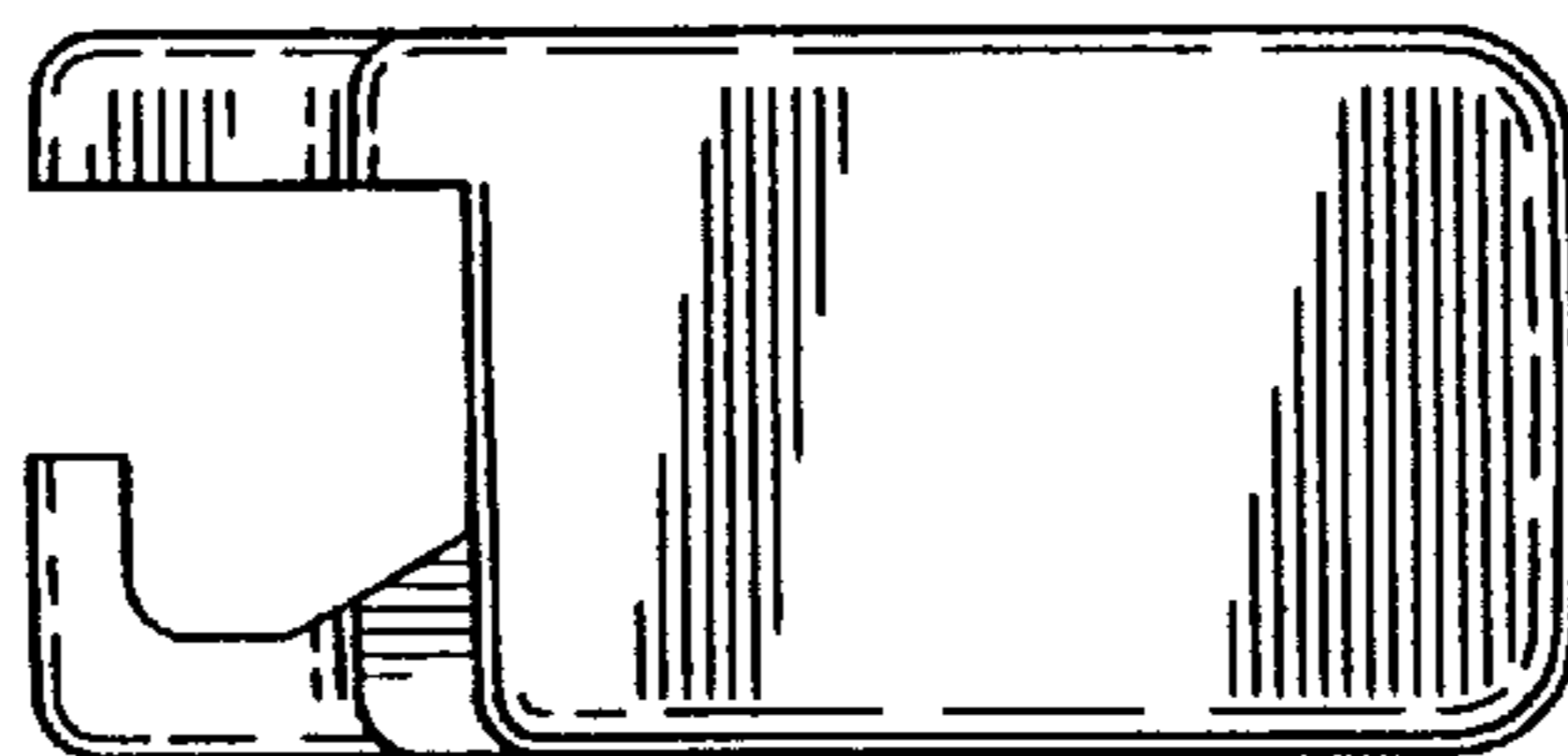


FIG. 3

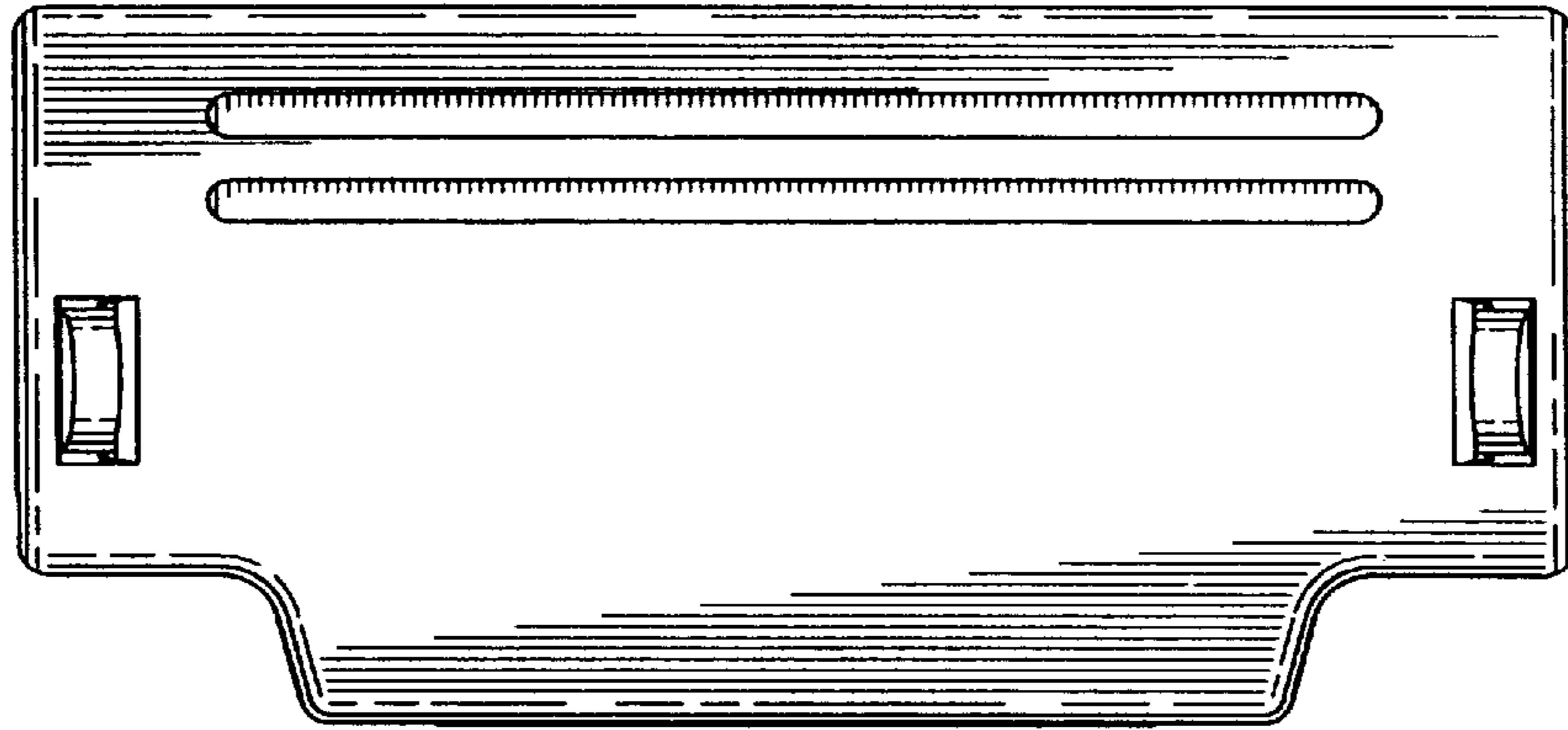


FIG. 4

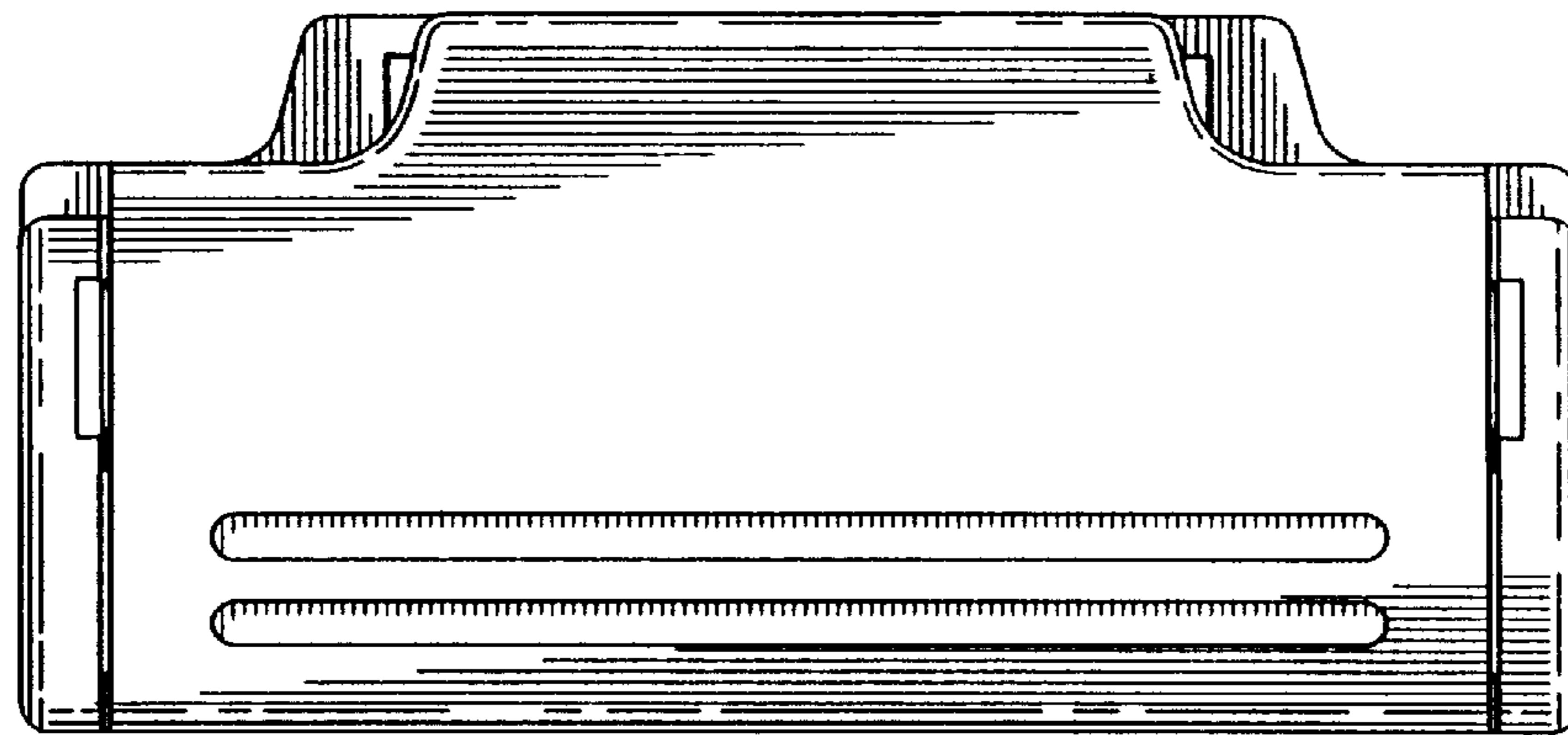


FIG. 5



FIG. 6