



US00D475637S

(12) **United States Design Patent**  
**Lau**

(10) **Patent No.:** **US D475,637 S**

(45) **Date of Patent:** **\*\* Jun. 10, 2003**

(54) **CLOCK**

(76) **Inventor:** **Tung Yan Lau**, Room 406, Wah Yiu  
Ind. Ctr., 30-32 Au Pui Wan St., Fotan,  
New Territories, Hong Kong (HK)

(\*\*) **Term:** **14 Years**

(21) **Appl. No.:** **29/169,493**

(22) **Filed:** **Oct. 16, 2002**

(51) **LOC (7) Cl.** ..... **10-01**

(52) **U.S. Cl.** ..... **D10/22**

(58) **Field of Search** ..... D10/1-40, 122-132;  
368/280-282, 276-277, 28-30, 285, 239-242,  
243-249, 82-84, 41-44

(56) **References Cited**

**U.S. PATENT DOCUMENTS**

D161,957 S \* 2/1951 Newman ..... D10/22  
D190,750 S \* 6/1961 Marti ..... D10/22 X  
D208,998 S \* 10/1967 Jeanrenaud ..... D10/22

D270,335 S \* 8/1983 Lam ..... D10/4

D377,905 S \* 2/1997 Lage ..... D10/6

D397,041 S \* 8/1998 Abels ..... D10/6

D408,744 S \* 4/1999 Suzuki ..... D10/22

D421,226 S \* 2/2000 Duke ..... D10/22

\* cited by examiner

*Primary Examiner*—Nelson C. Holtje

(57) **CLAIM**

The ornamental design for a clock, as shown.

**DESCRIPTION**

FIG. 1 is a perspective view of a clock showing my new design;

FIG. 2 is a front elevational view thereof;

FIG. 3 is a rear elevational view thereof;

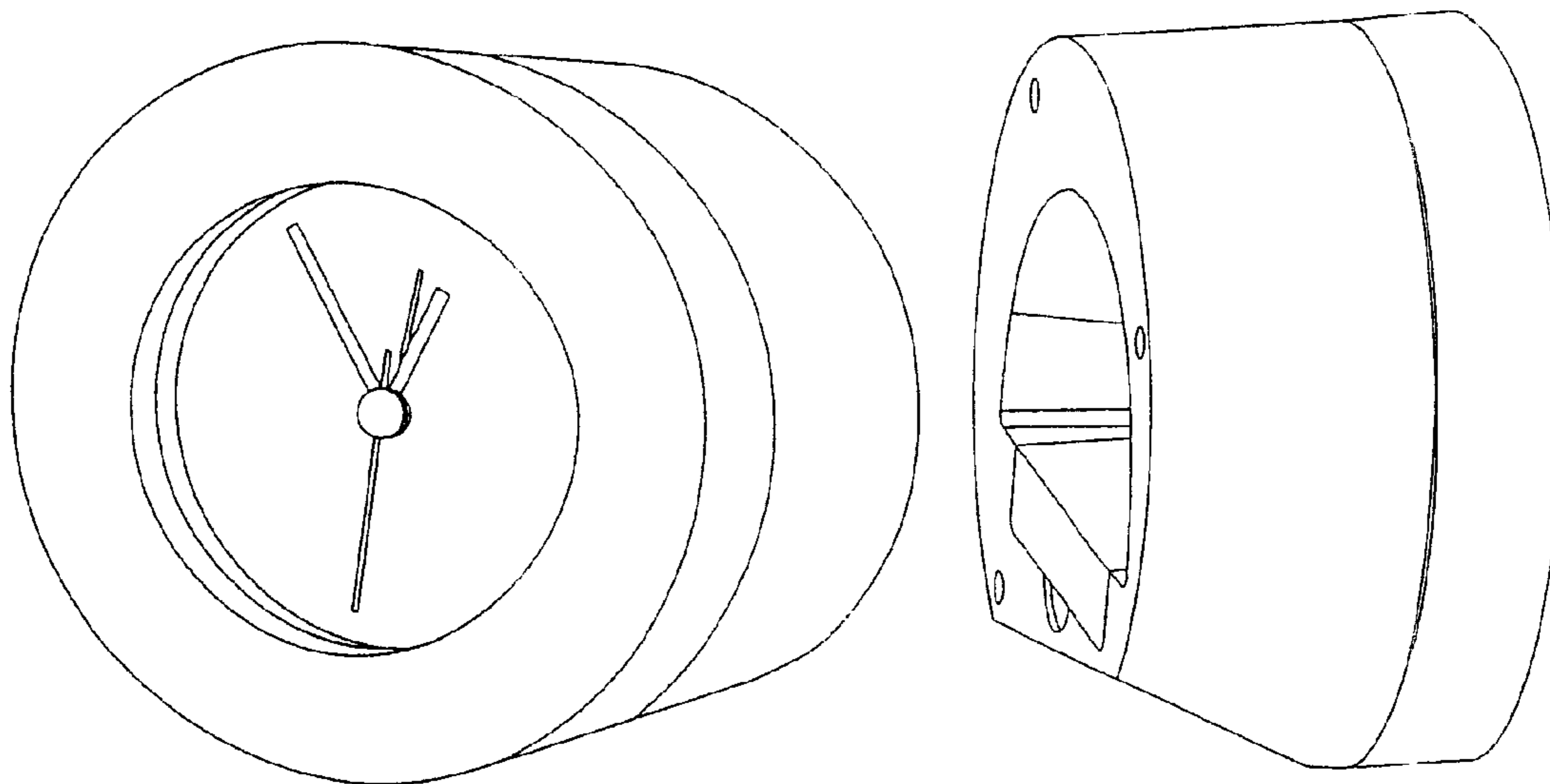
FIG. 4 is a left side view thereof;

FIG. 5 is a right side view thereof;

FIG. 6 is a top plan view thereof; and,

FIG. 7 is a bottom plan view thereof.

**1 Claim, 1 Drawing Sheet**



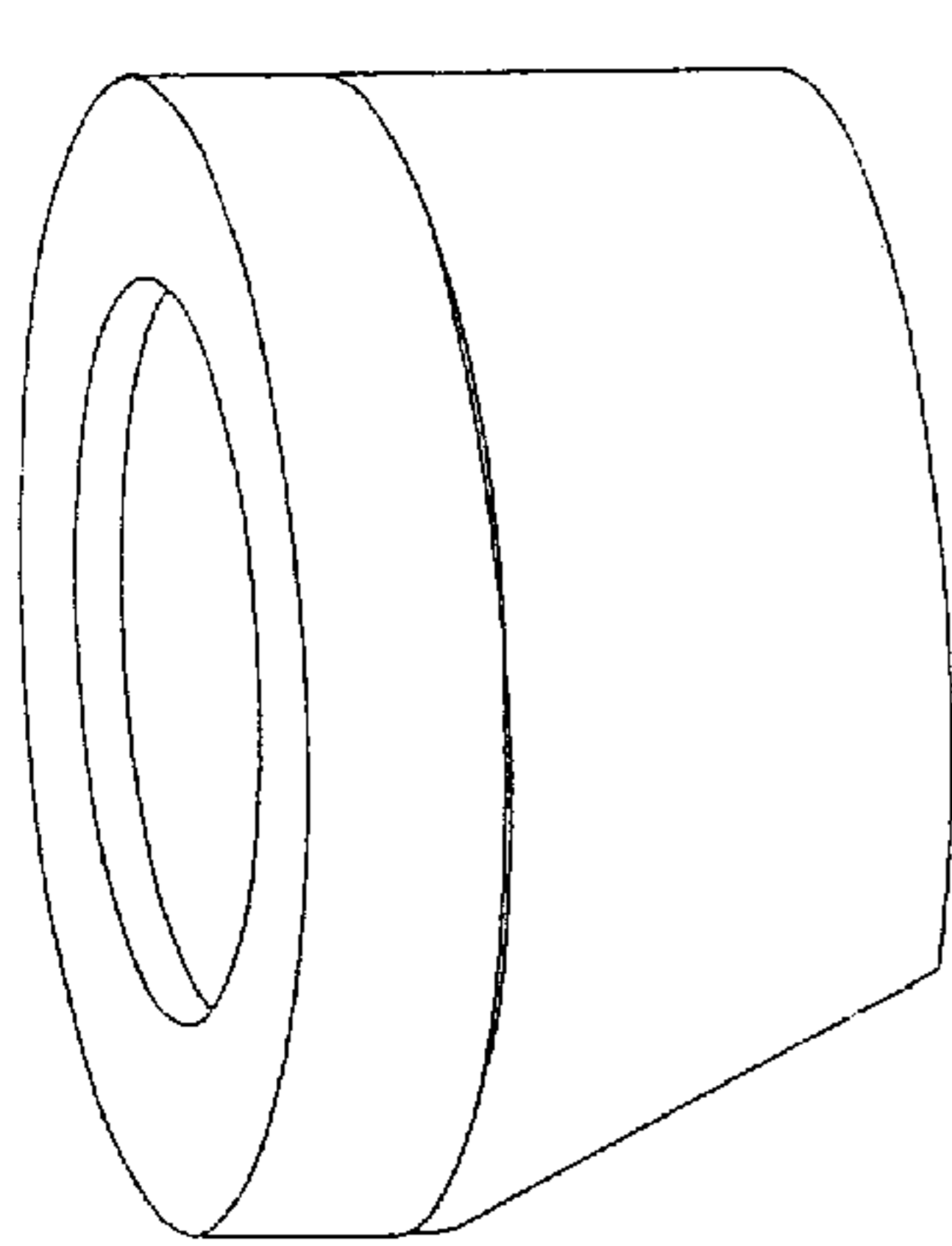


FIG. 5

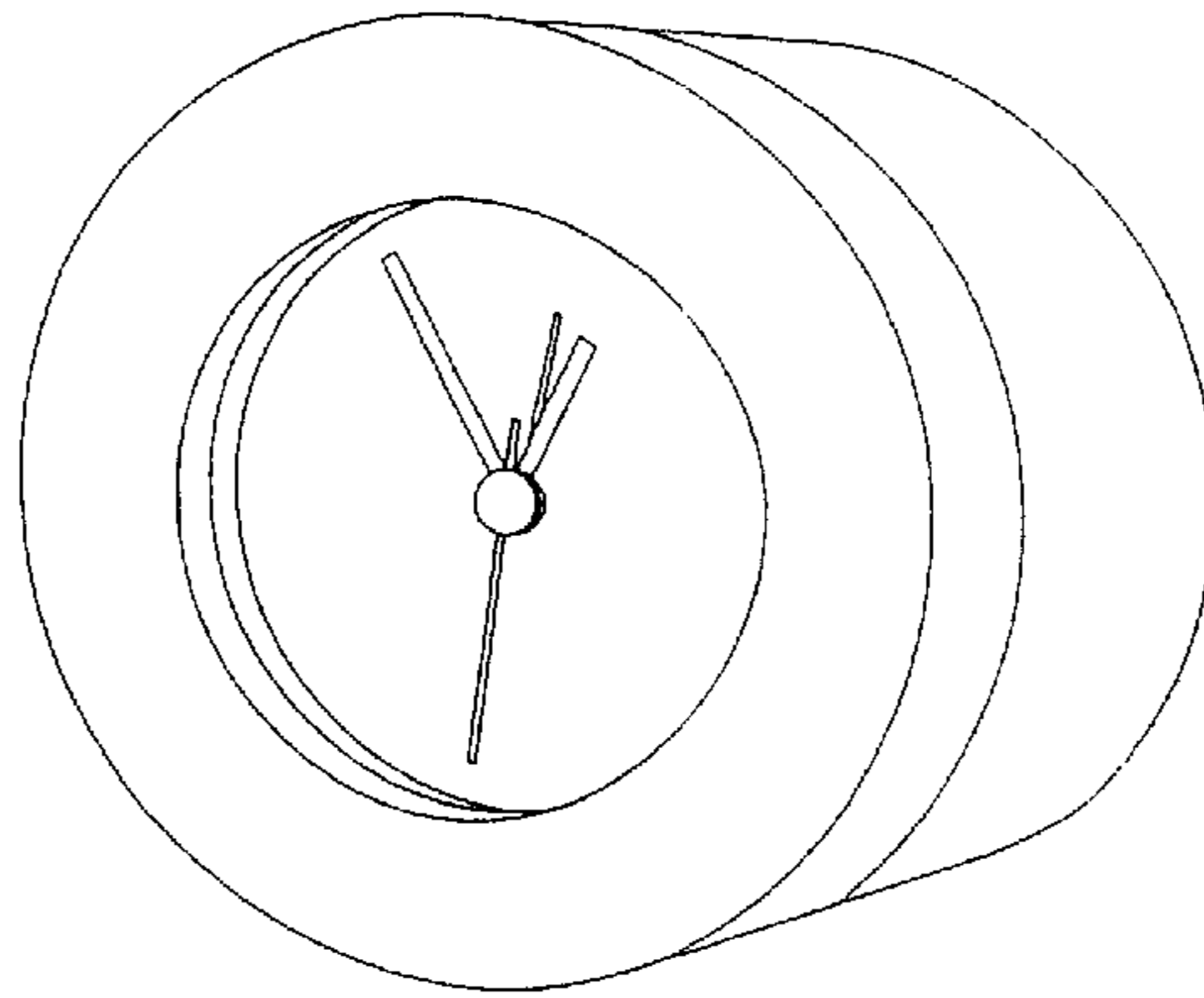


FIG. 1

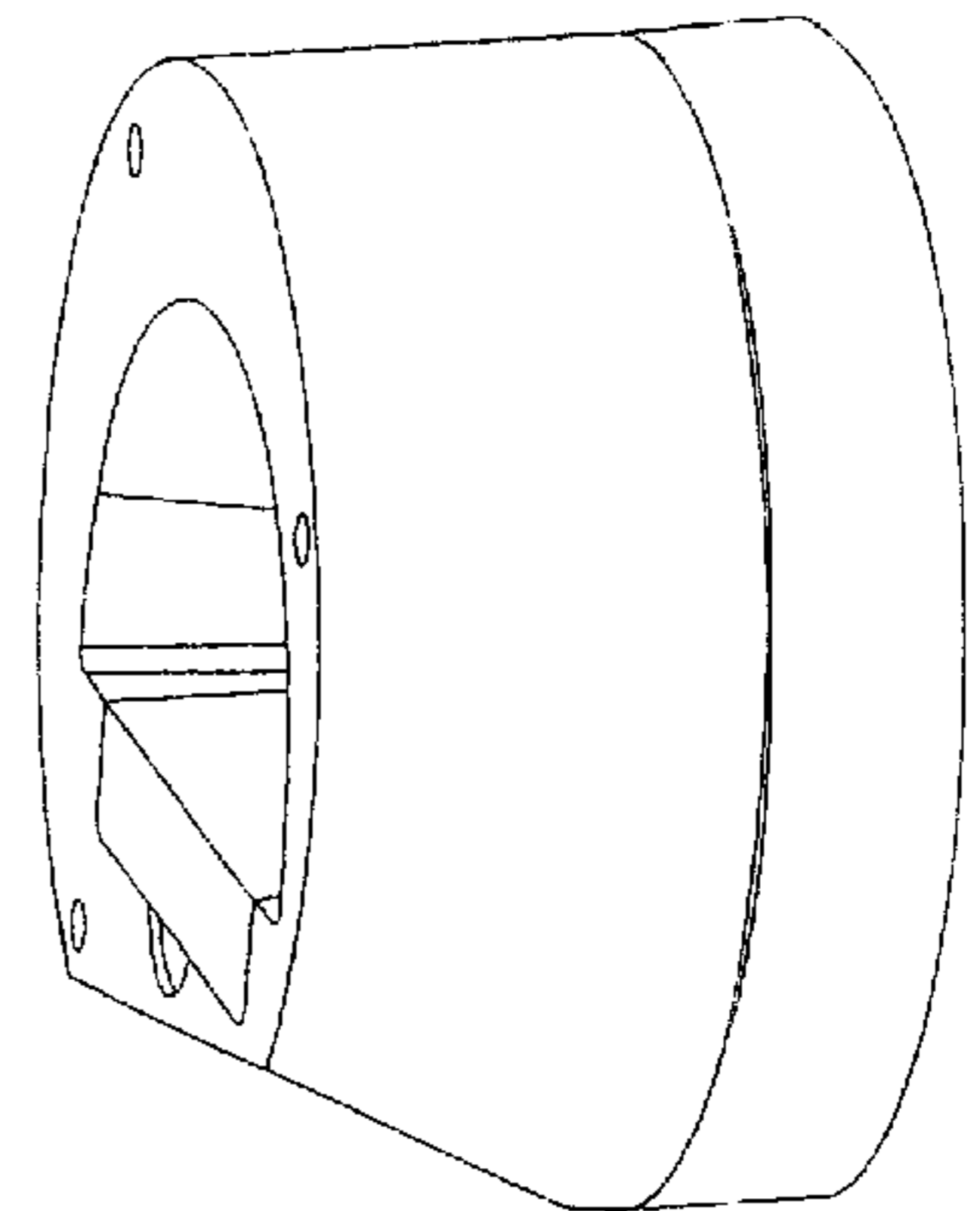


FIG. 4

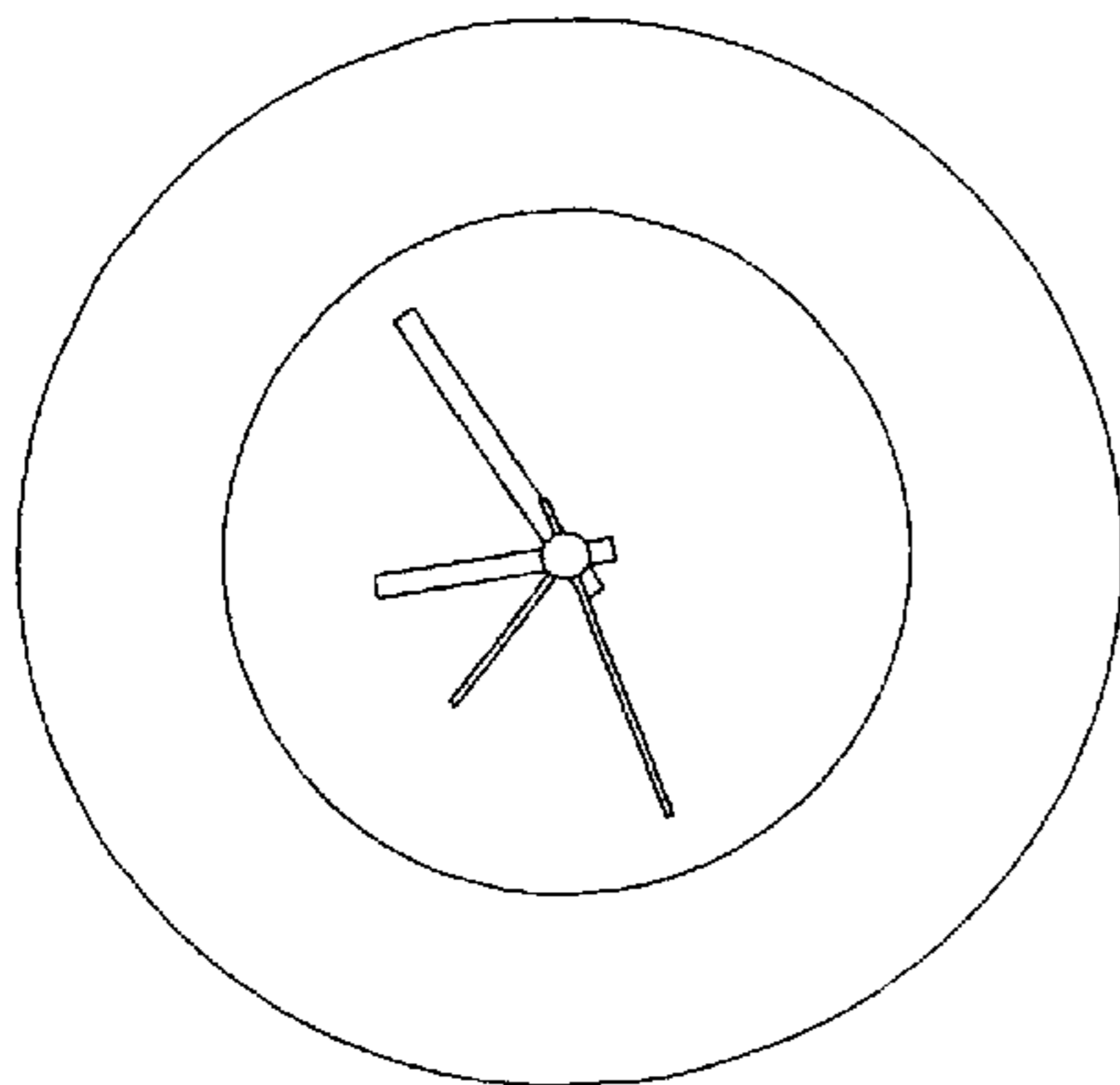


FIG. 2

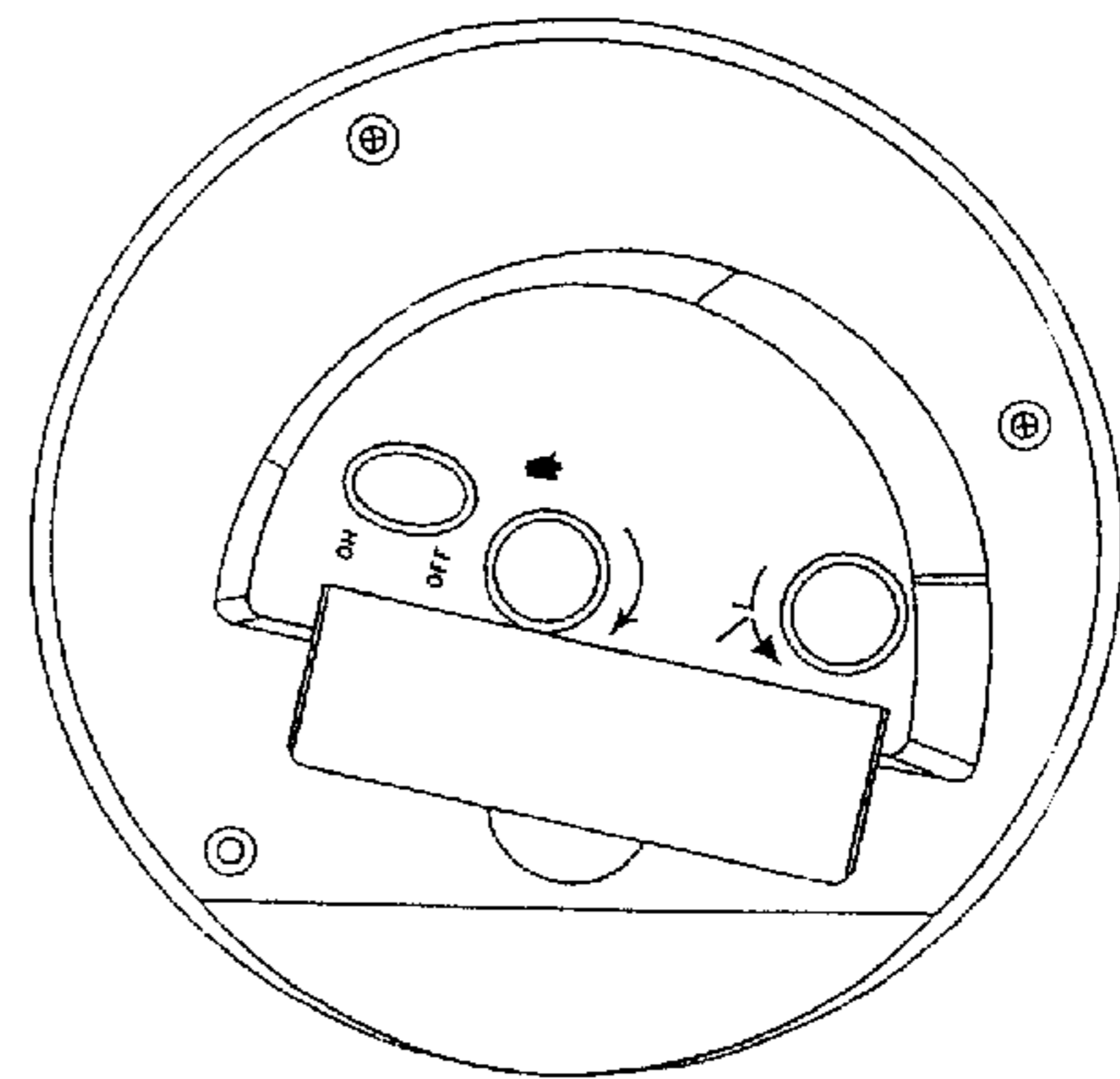


FIG. 3

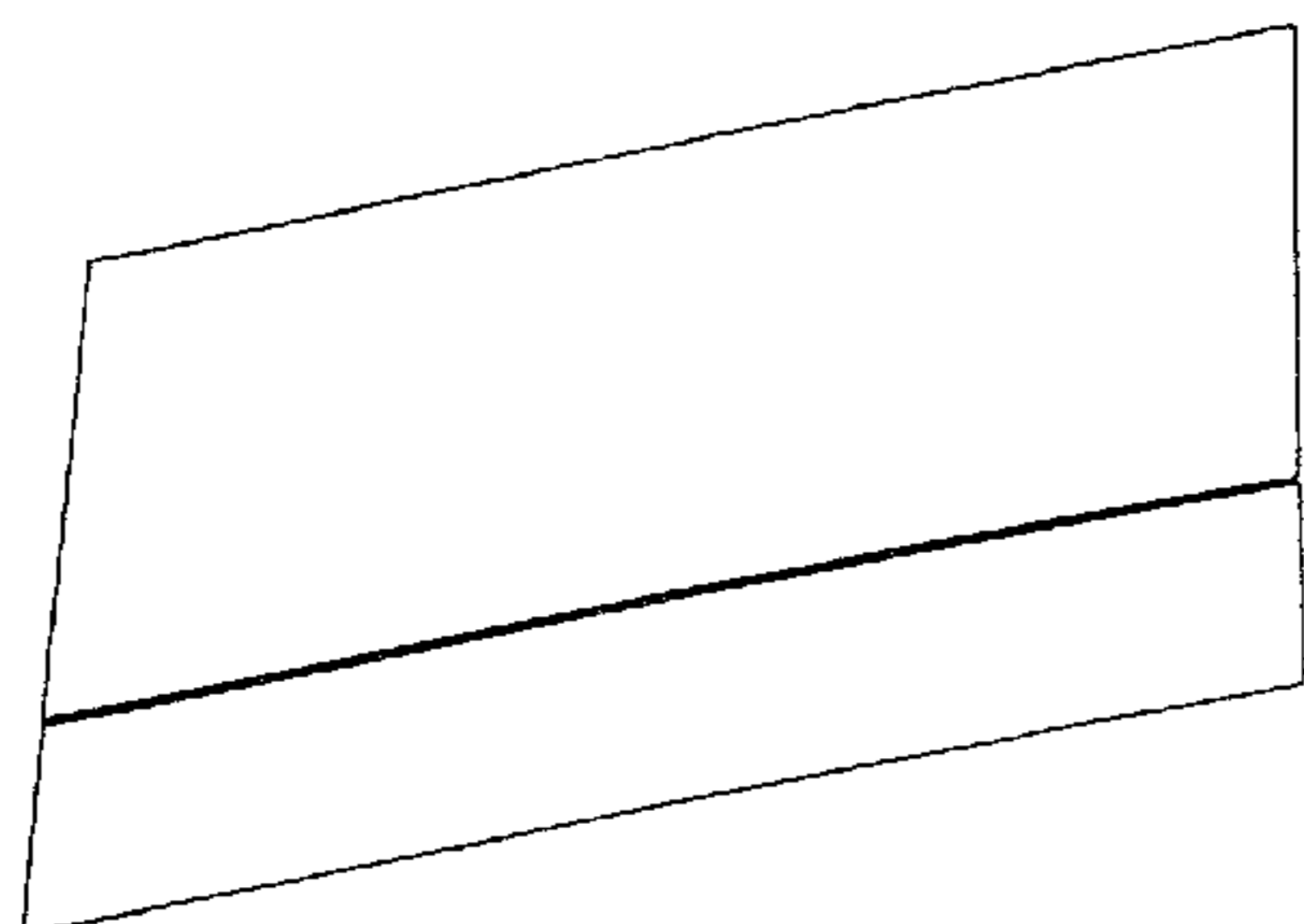


FIG. 6

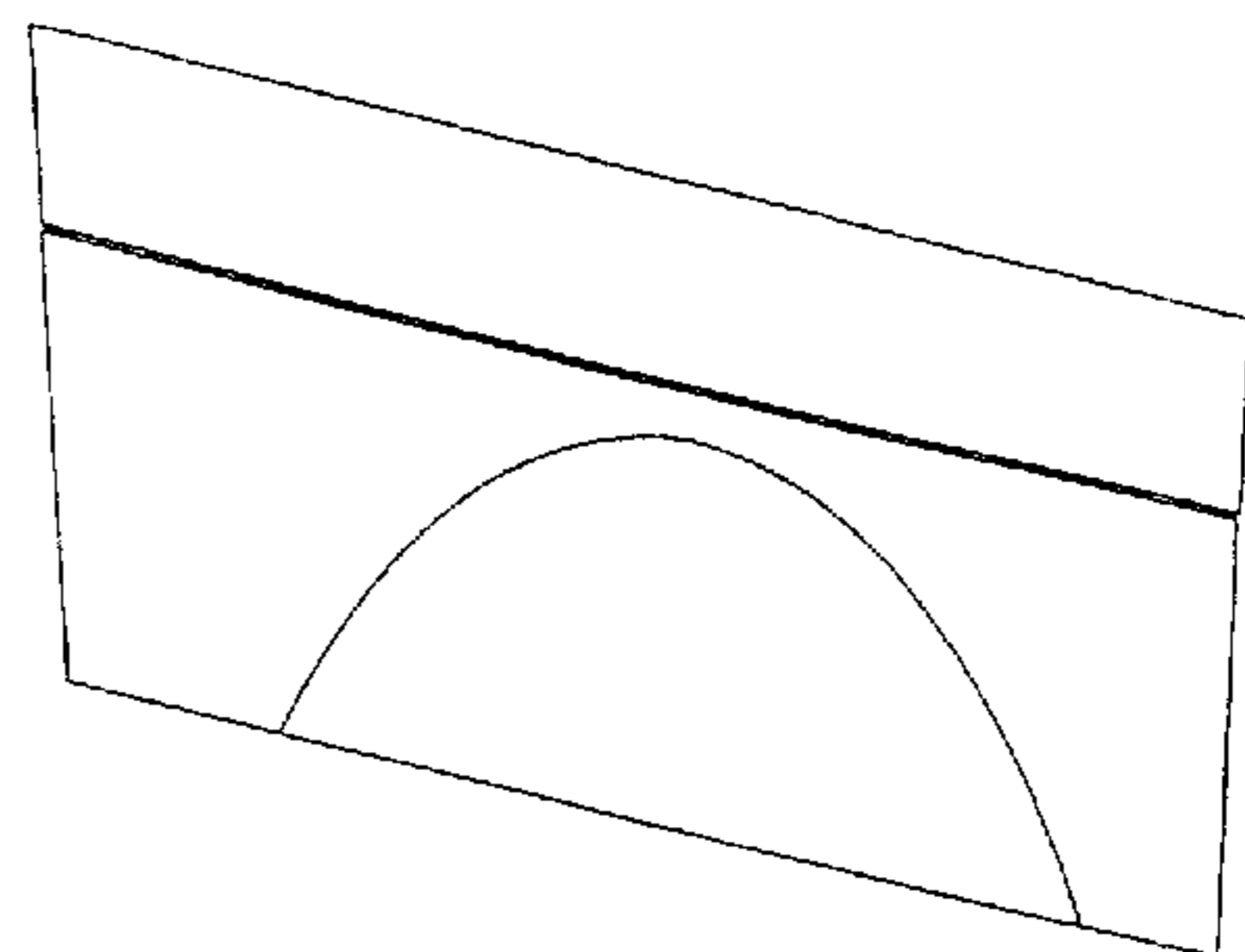


FIG. 7