



US00D475634S

(12) **United States Design Patent**  
**Cooper**

(10) **Patent No.:** **US D475,634 S**

(45) **Date of Patent:** **\*\* Jun. 10, 2003**

(54) **SIDEWALL DETAIL FOR A BEVERAGE BOTTLE**

D439,542 S \* 3/2001 Turner et al. .... D11/90

\* cited by examiner

(75) Inventor: **John A. Cooper**, Philadelphia, PA (US)

*Primary Examiner*—Ralf Seifert

(73) Assignee: **Chatam International Incorporated**,  
Wilmington, DE (US)

(74) *Attorney, Agent, or Firm*—Paul & Paul

(\* ) Notice: This patent is subject to a terminal disclaimer.

(57) **CLAIM**

The ornamental design of a sidewall detail for a beverage bottle, as shown and described.

(\*\*) Term: **14 Years**

**DESCRIPTION**

(21) Appl. No.: **29/164,981**

FIG. 1 is a front perspective view of a sidewall detail for a beverage bottle.

(22) Filed: **Aug. 2, 2002**

FIG. 2 is an enlarged front view of the sidewall detail for a beverage bottle, of FIG. 1.

(51) **LOC (7) Cl.** ..... **09-07**

FIG. 3 is a right side view of the sidewall detail for a beverage bottle, of FIG. 2, taken along the line III-III of FIG. 2, the left side view of which is a mirror image thereof.

(52) **U.S. Cl.** ..... **D9/572**; D11/90

(58) **Field of Search** ..... D11/1, 2, 26–29,  
D11/89–92; 63/26–28, 32; D20/37; D9/516,  
307, 320, 439, 572, 551, 564

FIG. 4 is a bottom view of the sidewall detail for a beverage bottle, of FIG. 2, taken along the line IV-IV of FIG. 2, the top view of which is a mirror image; and,

(56) **References Cited**

FIG. 5 is a rear view of the sidewall detail for a beverage bottle, of FIG. 2.

**U.S. PATENT DOCUMENTS**

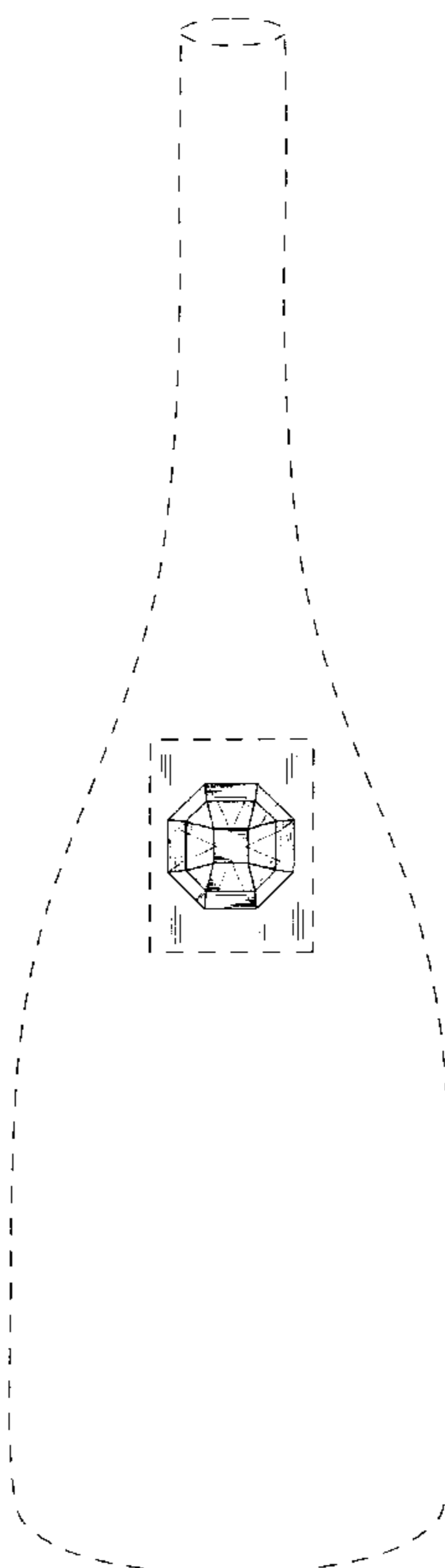
D217,229 S	*	4/1970	Onthank	.....	D9/320
D269,592 S	*	7/1983	Barney	.....	D9/572
D270,340 S	*	8/1983	Sun	.....	D11/125
D270,433 S	*	9/1983	Sun	.....	D11/129
D275,269 S	*	8/1984	Sun	.....	D11/121
D277,936 S	*	3/1985	Tobias	.....	D9/307
D308,477 S	*	6/1990	Ordell	.....	D9/320

The dotted lines illustrate environmental structure and do not form part of the design.

Transparency is illustrated by shading lines going upwards and to the right at approximately 45°.

The remaining shading lines illustrate surface shading.

**1 Claim, 5 Drawing Sheets**



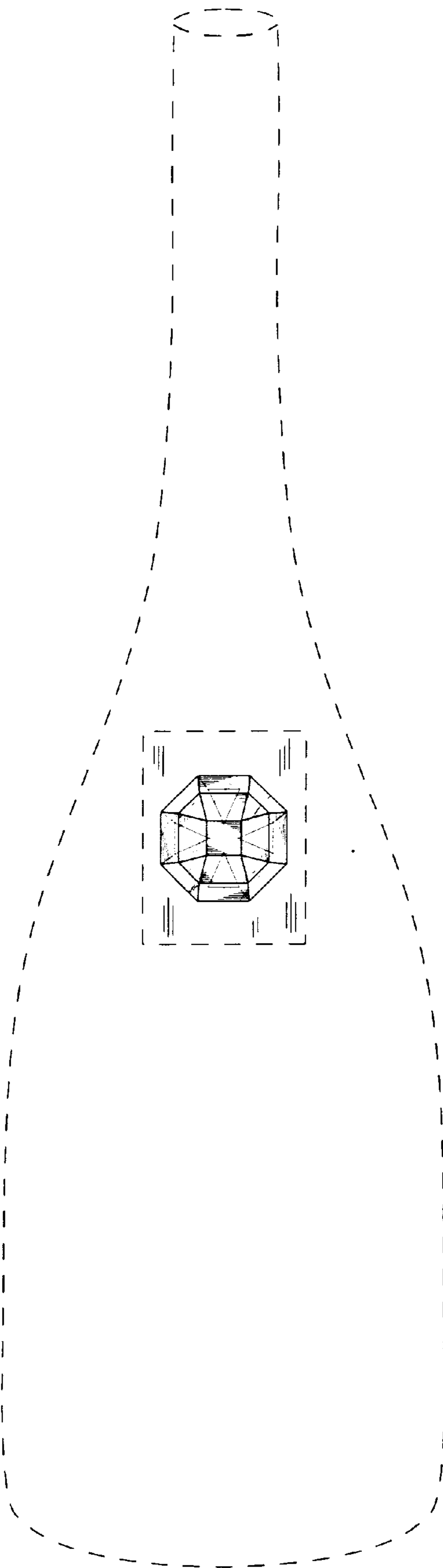


FIG. 1

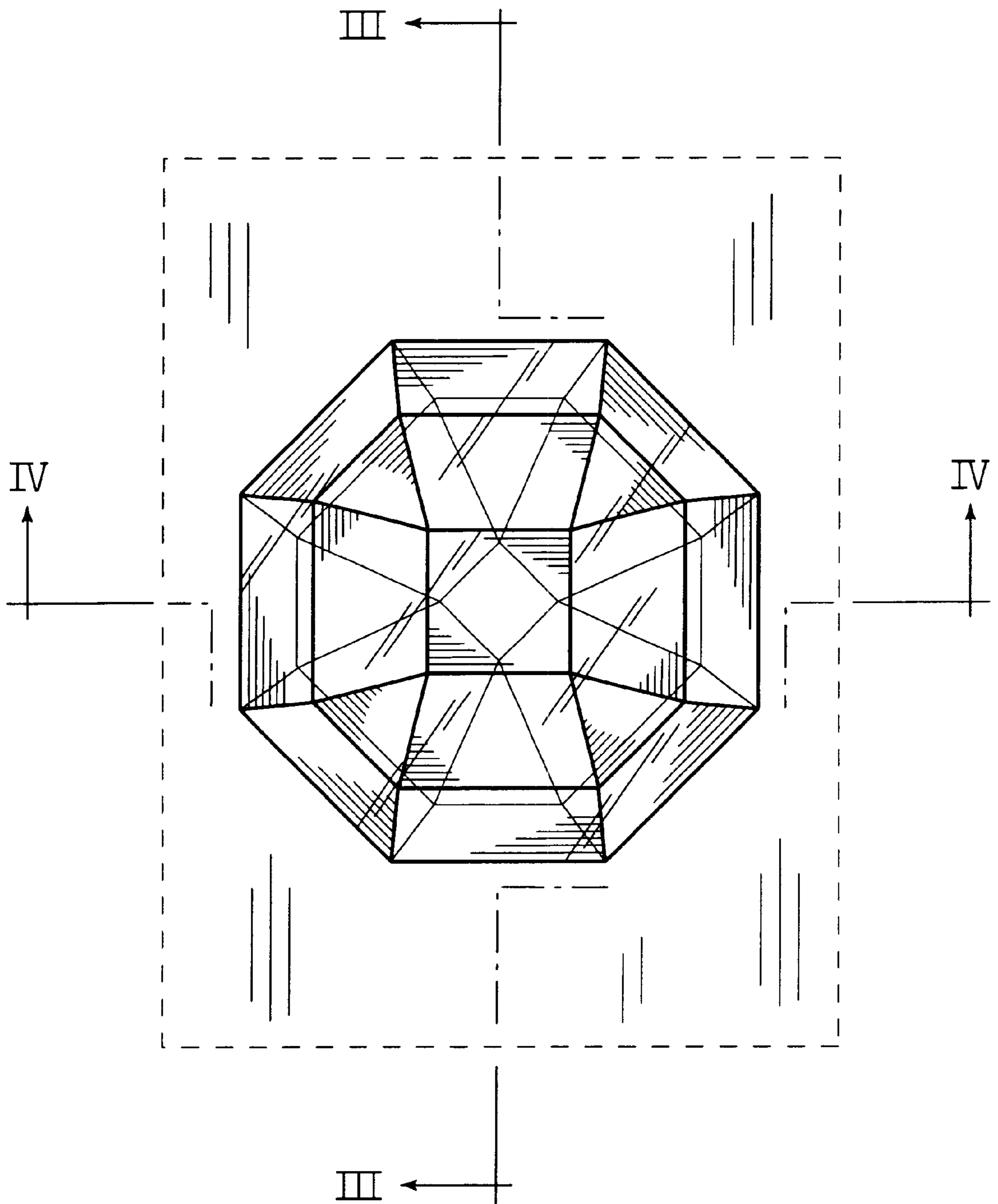


FIG. 2

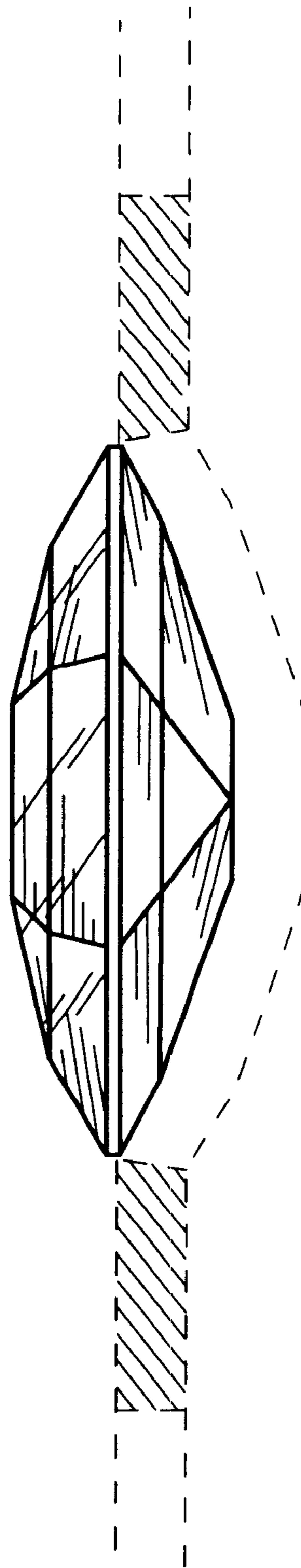


FIG. 3

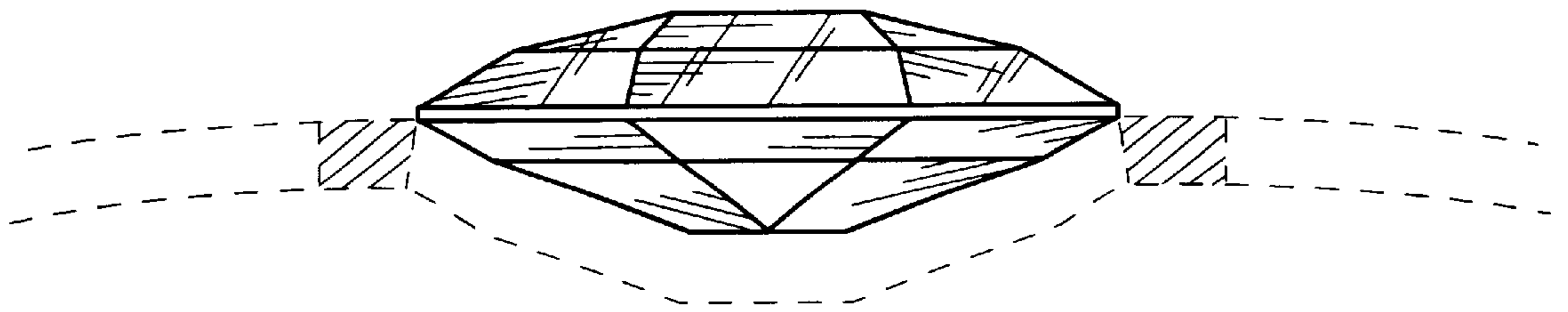


FIG. 4

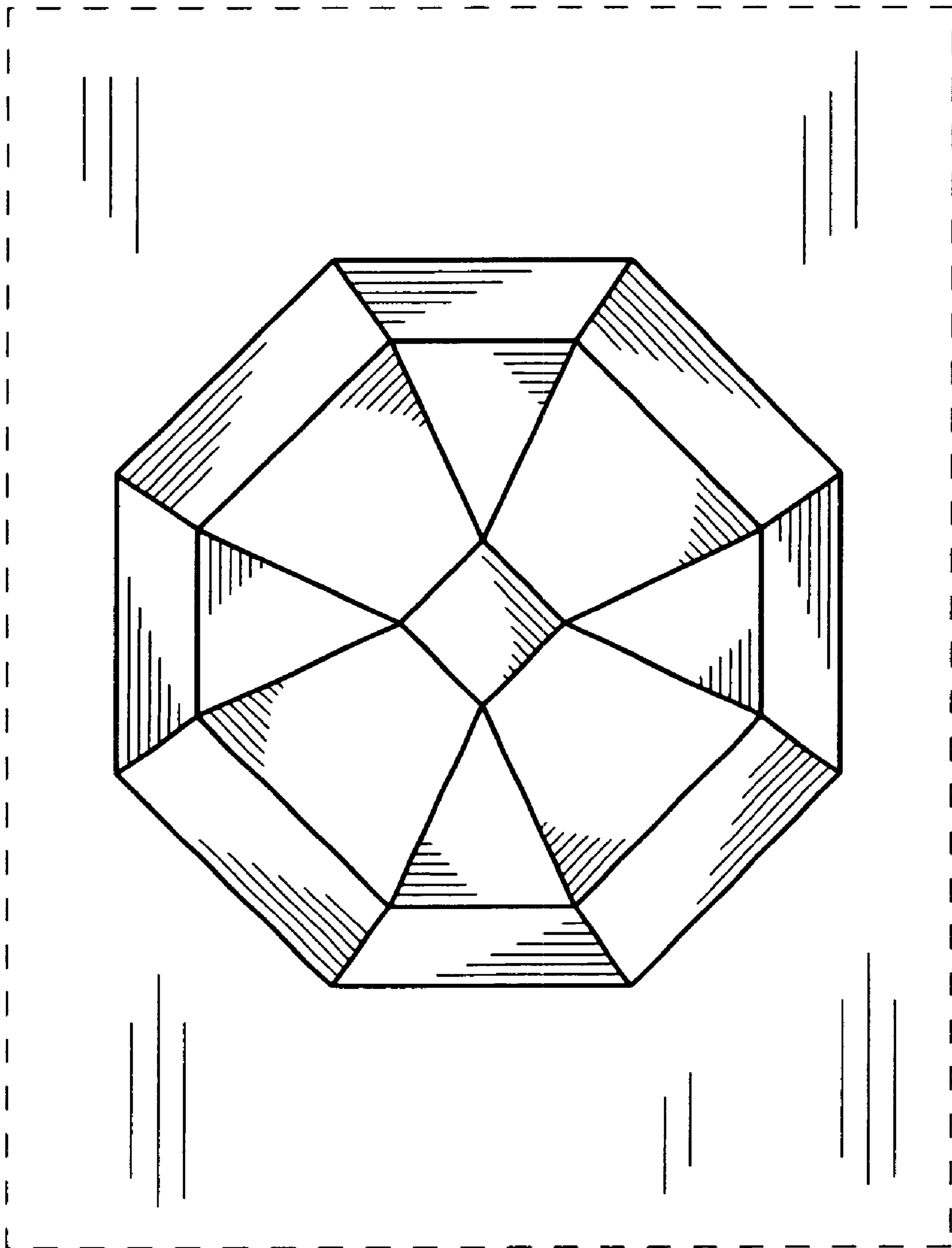


FIG. 5