



US00D475625S

(12) **United States Design Patent**
Lin

(10) **Patent No.:** **US D475,625 S**

(45) **Date of Patent:** **** Jun. 10, 2003**

(54) **SHRIMP TRAY**

(76) **Inventor:** **Duke Lin**, 3450 Fujita St., Torrance,
CA (US) 90505

(**) **Term:** **14 Years**

(21) **Appl. No.:** **29/166,607**

(22) **Filed:** **Aug. 28, 2002**

(51) **LOC (7) Cl.** **09-07**

(52) **U.S. Cl.** **D9/456**

(58) **Field of Search** D7/554.3, 505,
D7/543, 361, 552.1, 396.1, 545, 586, 553.6;
D1/102; D9/337, 456, 425; 426/132, 129,
106, 112; 62/457.6, 457.2; 219/732; 108/139;
248/154, 145.6; 206/445; 211/74

(56) **References Cited**

U.S. PATENT DOCUMENTS

D218,024 S	*	7/1970	Clayron	D9/425
D263,268 S	*	3/1982	Rein	D7/554.3
D268,568 S	*	4/1983	Holden	D9/425
D283,012 S	*	3/1986	Jankens	D9/456
D364,090 S		11/1995	Krupa		
D394,985 S		6/1998	Curtis et al.		
D396,606 S		8/1998	Blazevich		

D404,612 S	1/1999	Blazevich	
5,869,120 A	2/1999	Blazevich	
D411,709 S	6/1999	Curtis et al.	
D420,285 S	2/2000	Sagan et al.	
6,021,903 A	2/2000	Hanson	
6,022,571 A	2/2000	Blazevich	
6,042,856 A	3/2000	Sagan et al.	
D422,907 S	4/2000	Sagan et al.	
6,168,813 B1	1/2001	Blazevich	
D464,531 S	* 10/2002	Blazevich D7/553.6

* cited by examiner

Primary Examiner—Charles A. Rademaker

(74) *Attorney, Agent, or Firm*—John D. Bauersfeld; Kelly Bauersfeld Lowry & Kelley, LLP

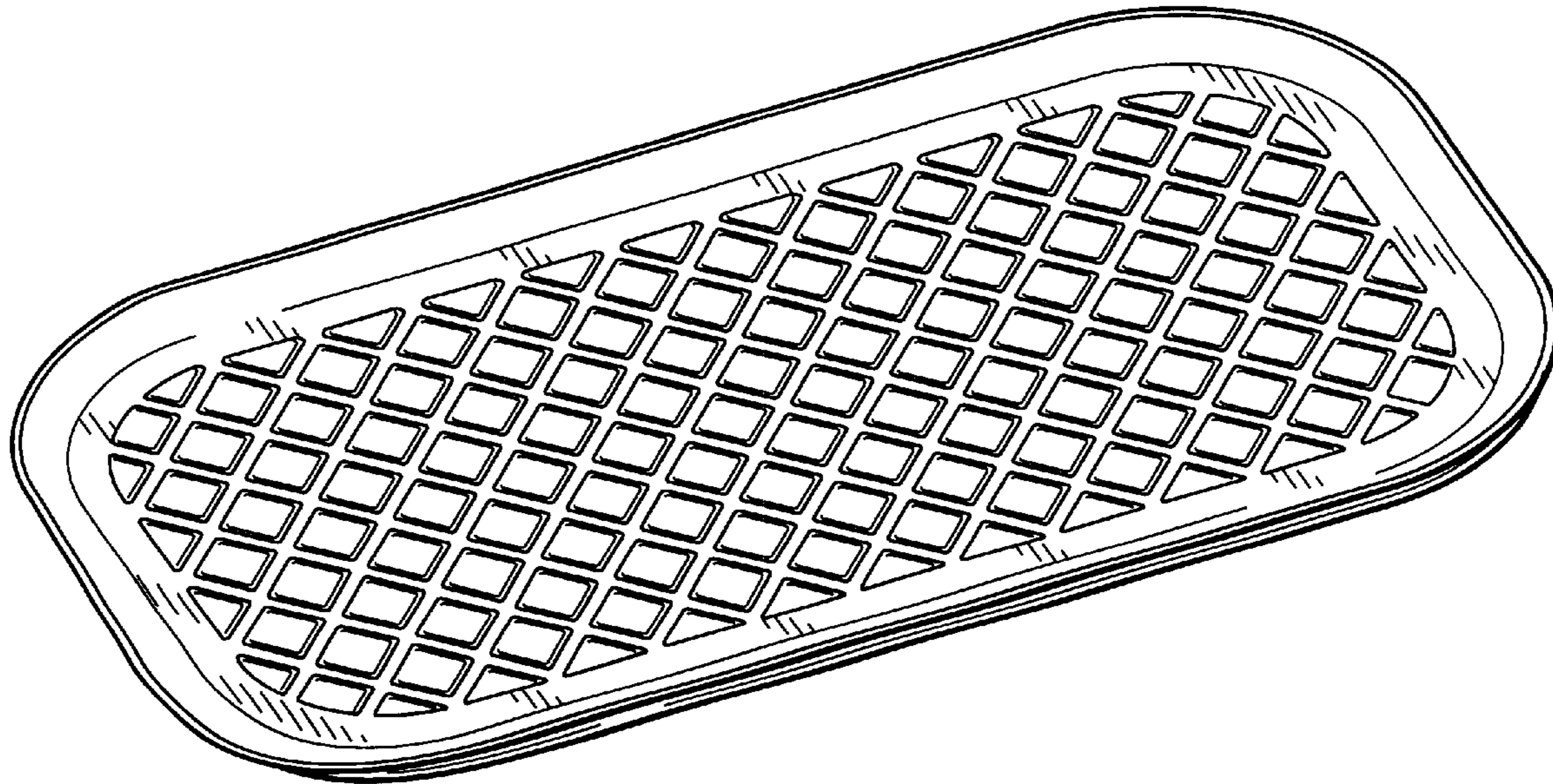
(57) **CLAIM**

The ornamental design for a shrimp tray, as shown and described.

DESCRIPTION

FIG. 1 is a top and side perspective view of the shrimp tray; FIG. 2 is a top plan view of the shrimp tray, the bottom plan view being substantially a reverse image; FIG. 3 is a side elevational view of the shrimp tray; and, FIG. 4 is an end elevational view thereof.

1 Claim, 1 Drawing Sheet



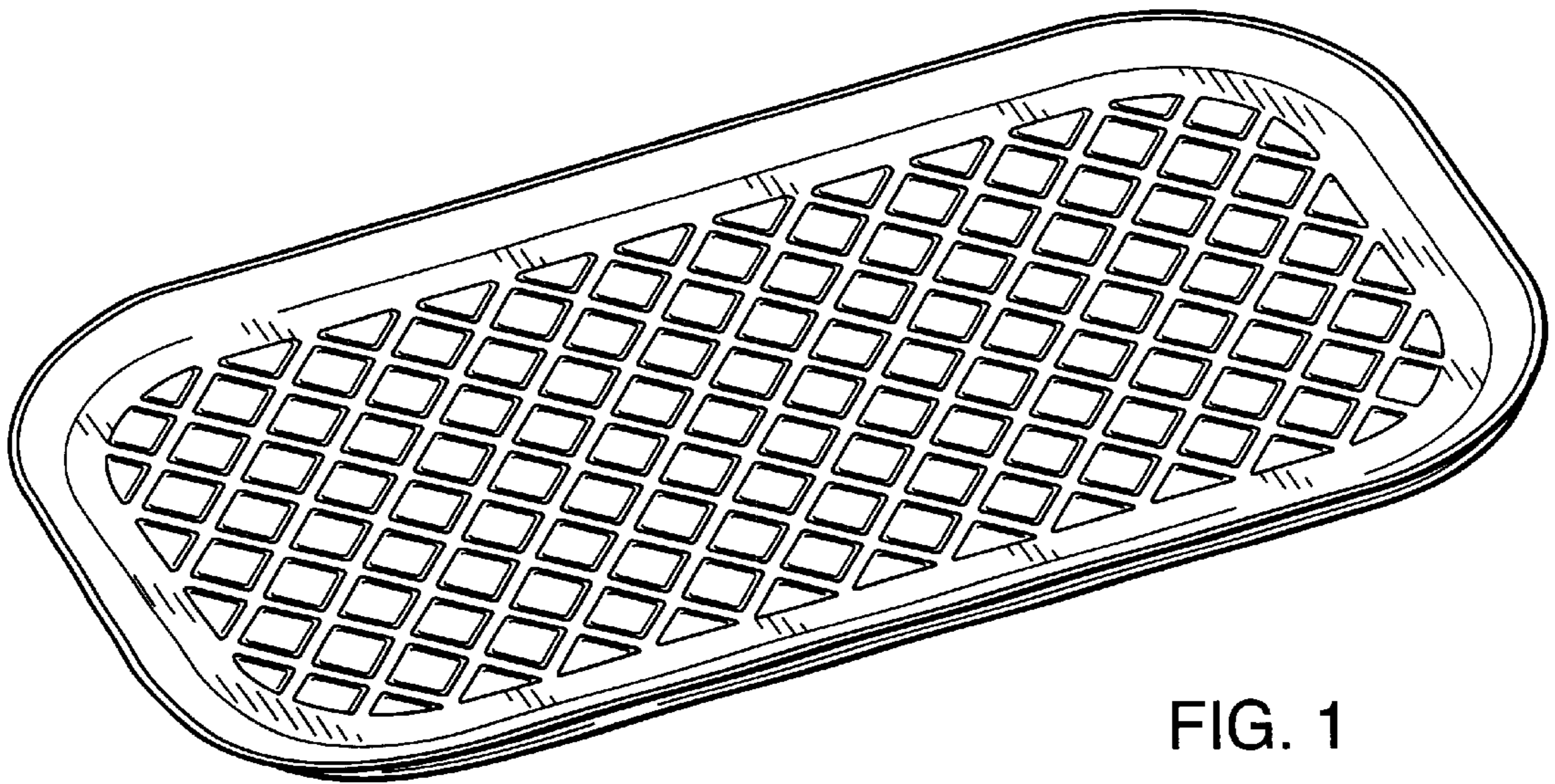


FIG. 1

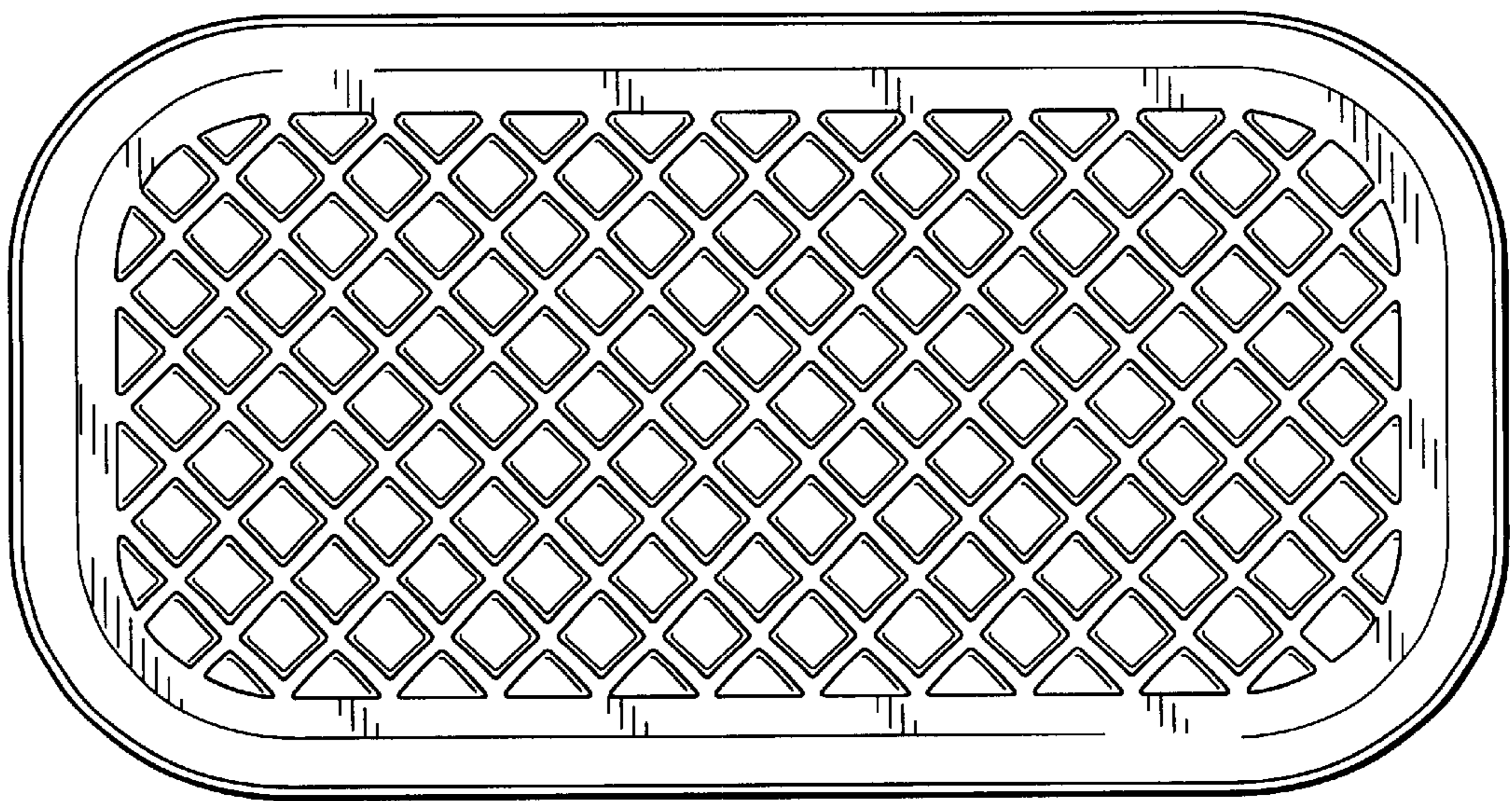


FIG. 2



FIG. 3

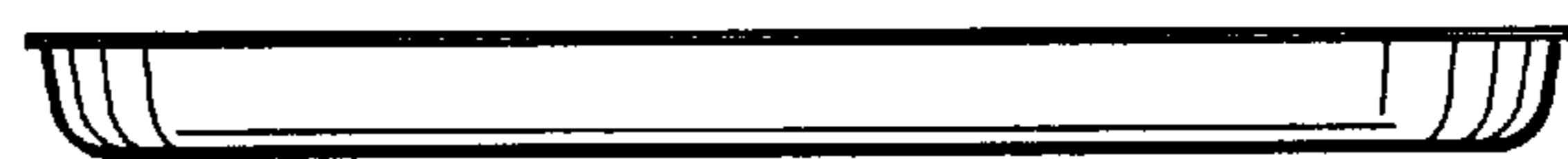


FIG. 4